



US00D709737S

(12) **United States Design Patent**
Weinert et al.

(10) **Patent No.:** **US D709,737 S**
(45) **Date of Patent:** **** Jul. 29, 2014**

(54) **CUP HOLDER**

D437,187 S * 2/2001 Cheng D7/622
6,588,064 B2 7/2003 Baum
D489,577 S * 5/2004 Giampavolo D7/620

(71) Applicant: **Ram Tech, LLC**, Lake Oswego, OR
(US)

(72) Inventors: **Mike S. Weinert**, Milwaukie, OR (US);
Alan Poole, Clackamas, OR (US);
Robert Williamson, Happy Valley, OR
(US)

(73) Assignee: **Ram Tech, LLC**, Lake Oswego, OR
(US)

(**) Term: **14 Years**

(21) Appl. No.: **29/471,686**

(22) Filed: **Nov. 4, 2013**

(51) **LOC (10) Cl.** **07-06**

(52) **U.S. Cl.**
USPC **D7/622**

(58) **Field of Classification Search**
CPC A47G 23/02
USPC D7/619.1-625, 701-708, 396.2,
D7/533-536; 294/27.1, 31.2, 33;
220/737-741, 710.5, 835, 752-758;
211/71.01, 74, 75; 248/309.1, 311.2,
248/145.6

See application file for complete search history.

(56) **References Cited**

U.S. PATENT DOCUMENTS

D333,072 S * 2/1993 Hung D7/622
D370,384 S * 6/1996 Shamis D7/393
5,613,720 A 3/1997 Shaddy
5,655,805 A 8/1997 Shaddy
5,865,412 A 2/1999 Mason

OTHER PUBLICATIONS

Gadget Magazine, Website, Umbrella with Coffee Cup Handle, Copyright 2010, http://www.likecool.com/Umbrella_with_Coffee_Cup_Handle--Design--Gear.html.
Top Creative Works, Website, Add a handle for a cup, Copyright 2012, <http://imwm.org/add-a-handle-for-cup/>.
Quality Logo Products, Inc., Website, Pik-Cup Sure Grip Cup Handle, Copyright 2014, <http://www.qualitylogoproducts.com/custom-travelmugs/pik-cup-suregrip-cuphandle.htm>.
Yanko Design, Website, Take Off Handle For Disposable Cups by Dmitry Boyko, Copyright 2014 <http://www.yankodesign.com/2010/01/18/disposable-handles-are-cookie-friendly/>.

* cited by examiner

Primary Examiner — Terry Wallace

(74) *Attorney, Agent, or Firm* — Schwabe, Williamson & Wyatt, P.C.

(57) **CLAIM**

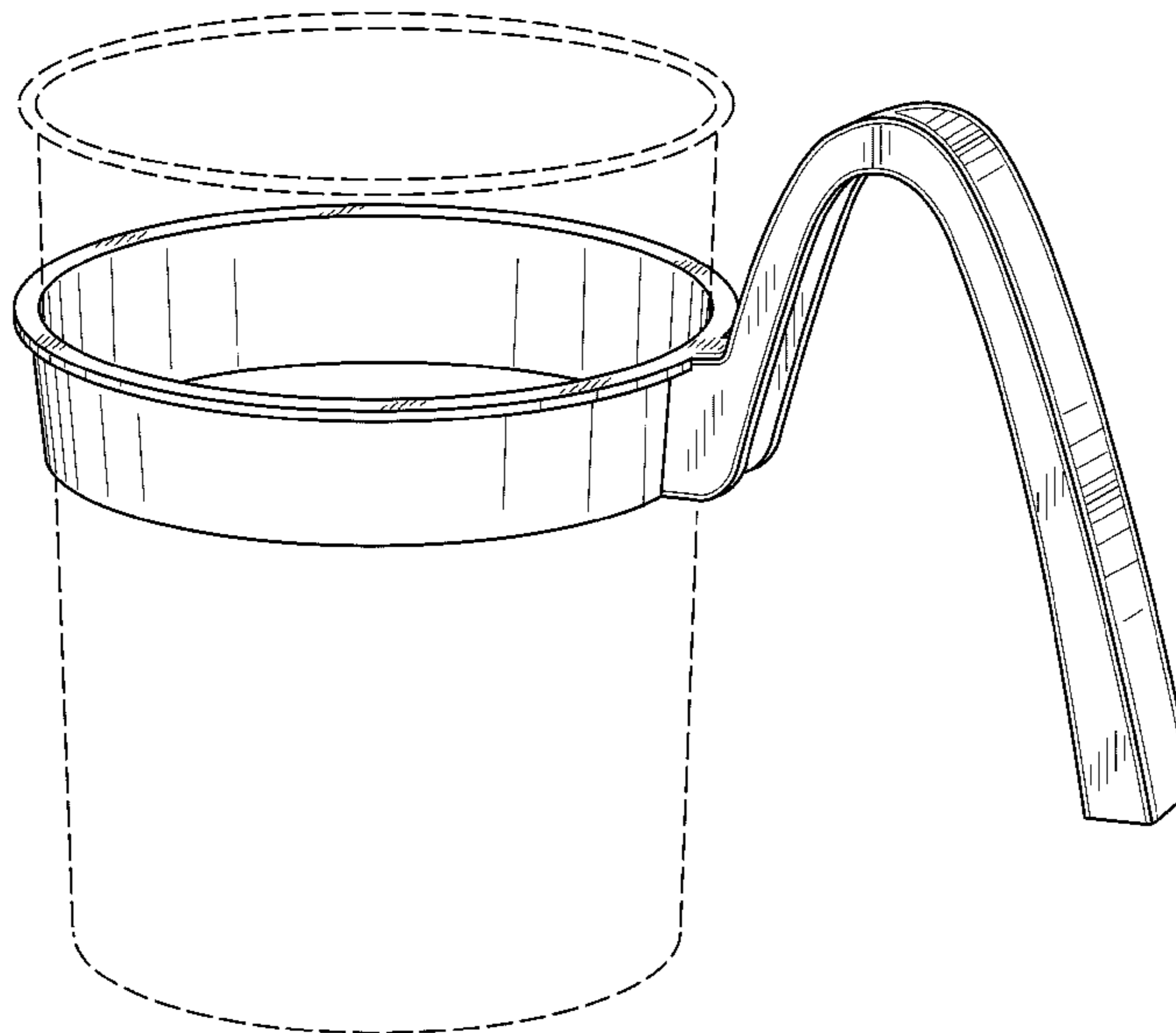
I claim the ornamental design for a cup holder, as shown and described.

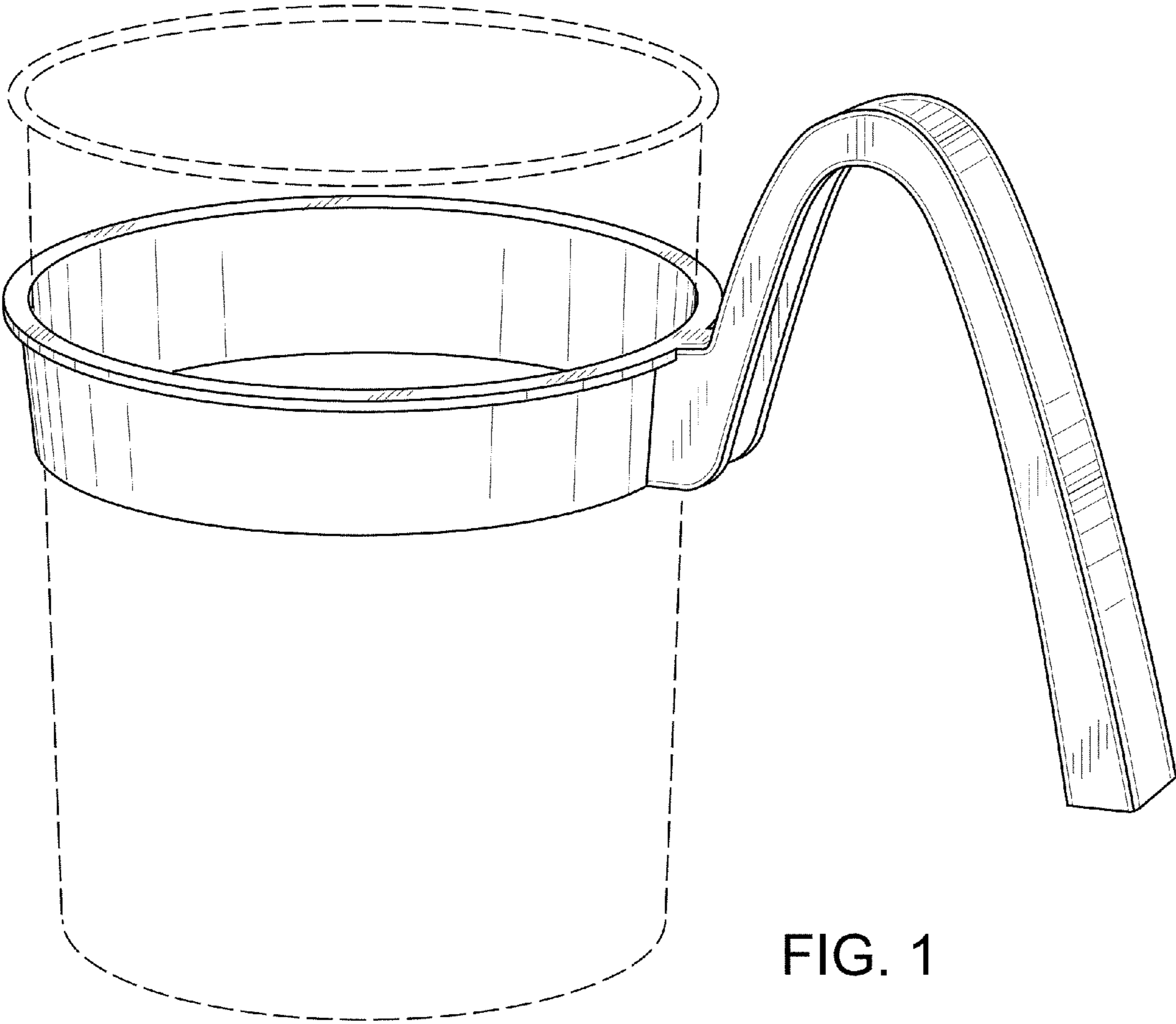
DESCRIPTION

FIG. 1 is a perspective view of the cup holder showing my new design;
FIG. 2 is a right side view thereof;
FIG. 3 is a left side view thereof;
FIG. 4 is a top view thereof;
FIG. 5 is a bottom view thereof;
FIG. 6 is a back view thereof; and,
FIG. 7 is a front view thereof.

The dashed lines are included for illustrating environmental structure and form no part of the claimed design.

1 Claim, 4 Drawing Sheets





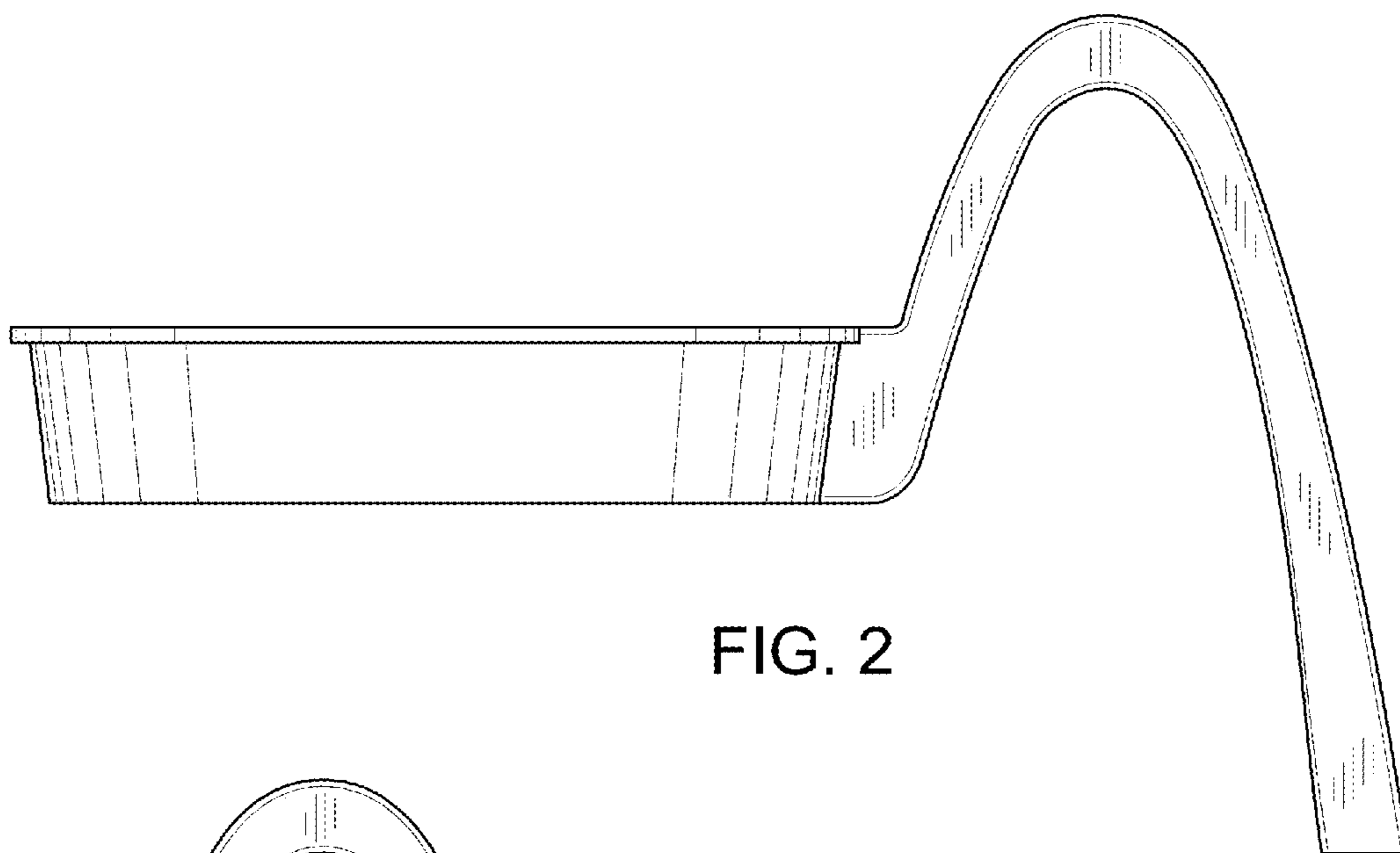


FIG. 2

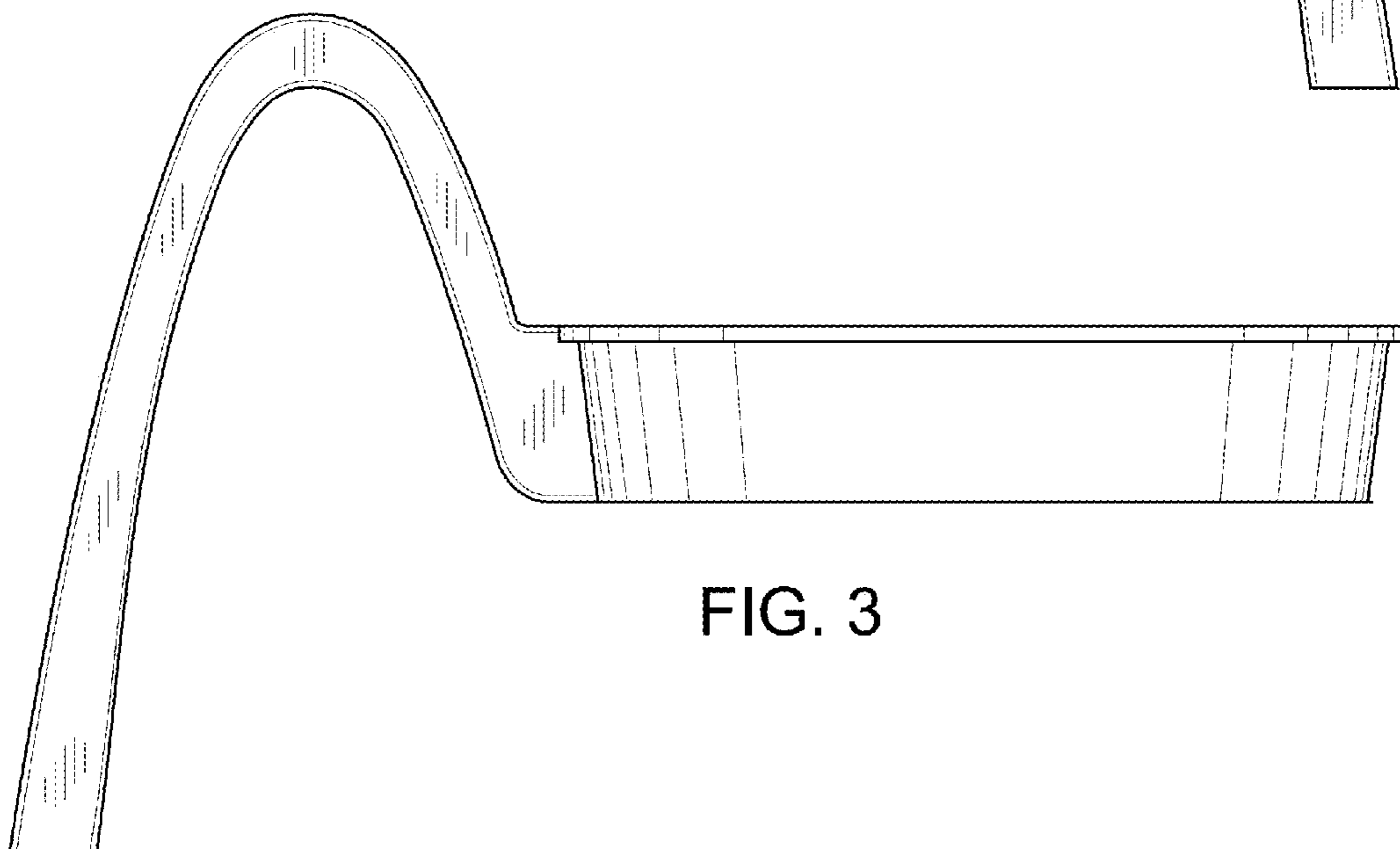


FIG. 3

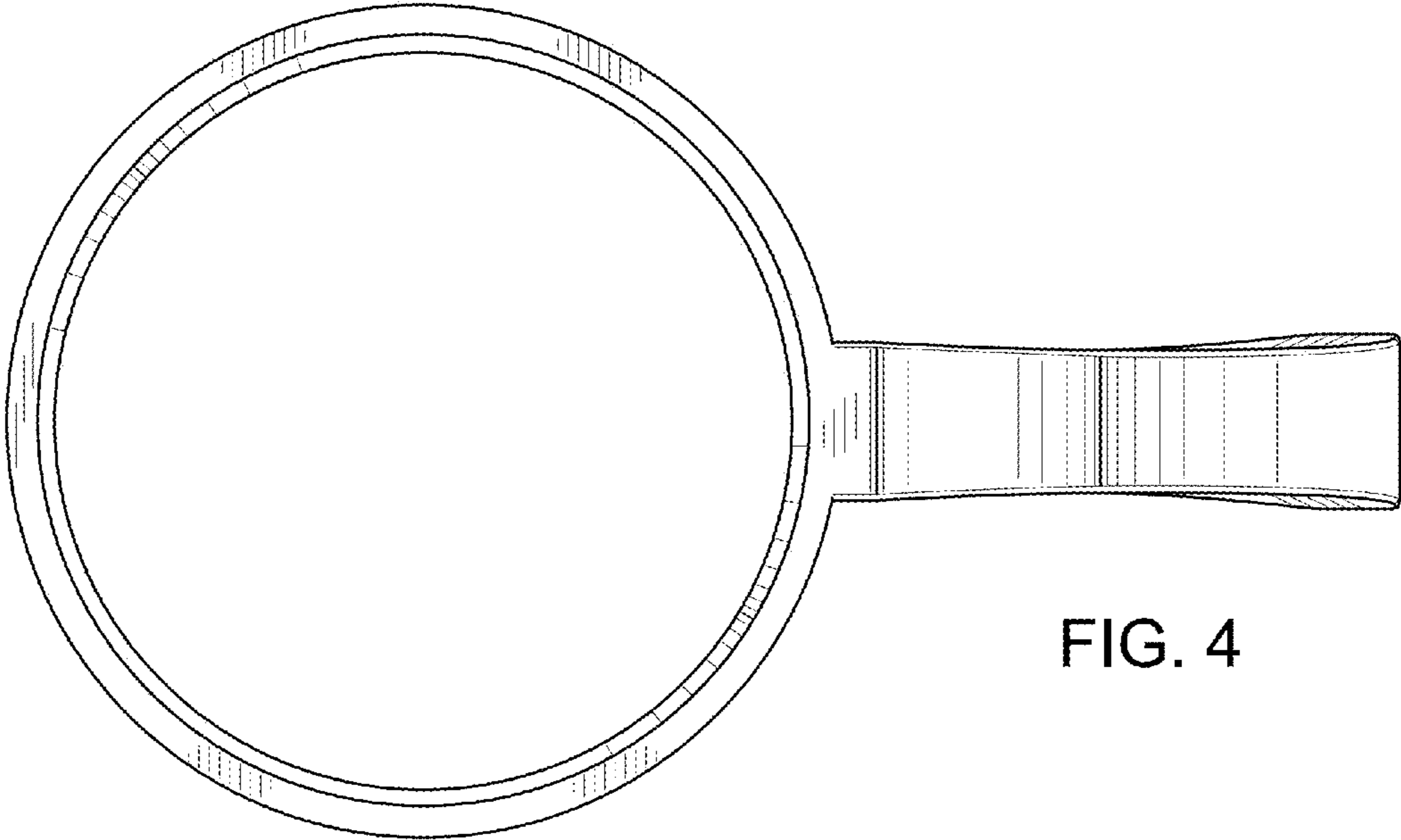


FIG. 4

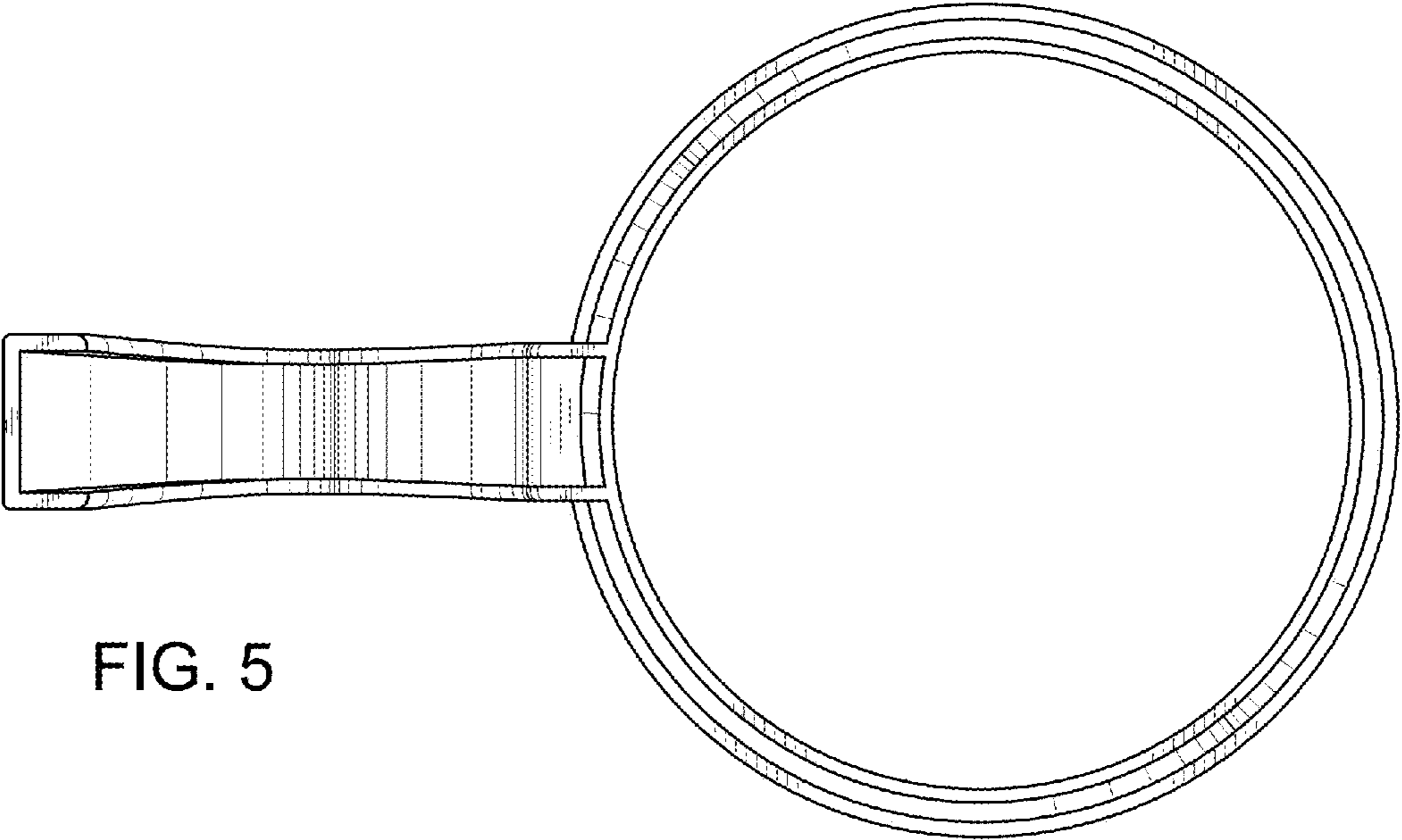


FIG. 5

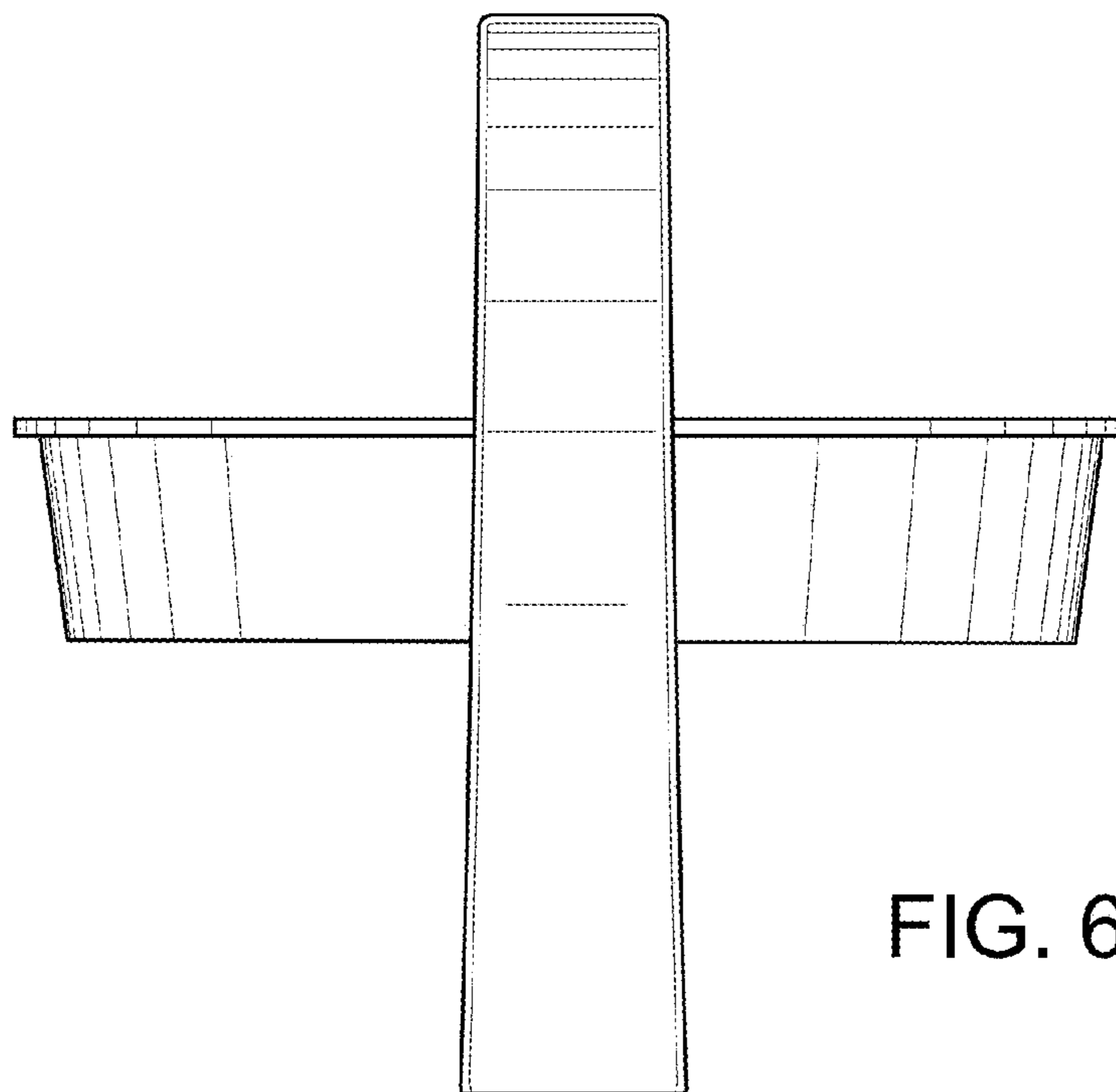


FIG. 6

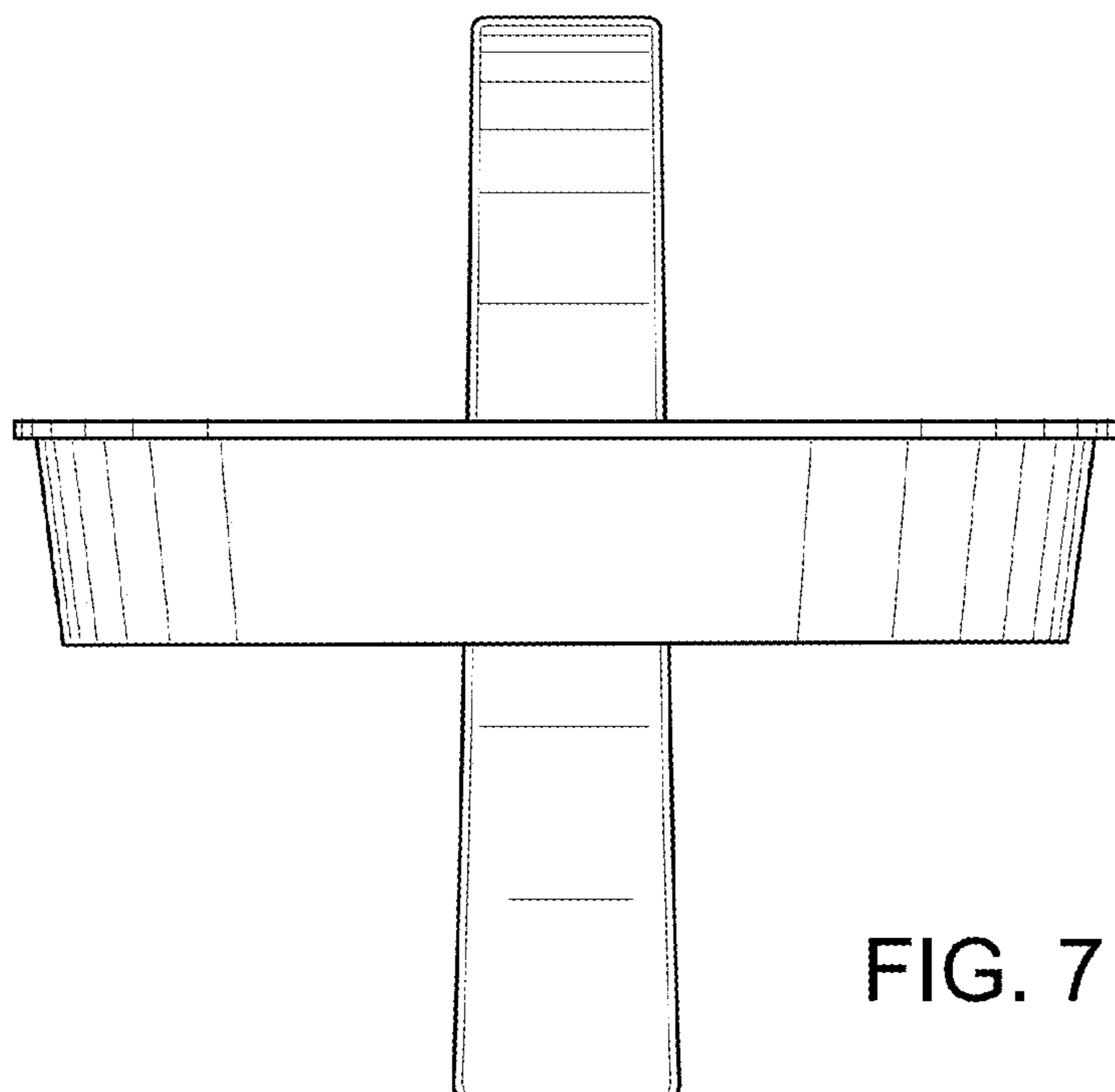


FIG. 7