



US00D709732S

(12) **United States Design Patent**
Garzon

(10) **Patent No.:** **US D709,732 S**
(45) **Date of Patent:** **** Jul. 29, 2014**

(54) **SNACK TRAY**
(71) Applicant: **Alex Garzon**, Morrisville, PA (US)
(72) Inventor: **Alex Garzon**, Morrisville, PA (US)
(73) Assignee: **Alex Garzon**, Morrisville, PA (US)
(**) Term: **14 Years**

D472,104 S * 3/2003 Jørgensen D7/590
D496,825 S * 10/2004 Wiedmeyer et al. D7/393
D497,292 S * 10/2004 Snell D7/637
D557,570 S * 12/2007 Shamoon D7/637
D578,327 S * 10/2008 Birsal et al. D6/511
D584,923 S * 1/2009 Scherer D7/566
D600,074 S * 9/2009 Haas D7/552.2
D600,332 S * 9/2009 Hanna D23/284
D610,410 S * 2/2010 Haas D7/587
D630,891 S * 1/2011 Thonis D7/396.1
D672,603 S * 12/2012 Zibilich D7/359

(21) Appl. No.: **29/477,777**
(22) Filed: **Dec. 26, 2013**
(51) **LOC (10) Cl.** **07-01**
(52) **U.S. Cl.**
USPC **D7/552.2**
(58) **Field of Classification Search**
USPC D7/550.1, 552.2, 543-545, 555, 560,
D7/565-566, 584, 586, 588; D9/455-456;
211/574-575; 206/557, 562, 563, 564,
206/565
See application file for complete search history.

* cited by examiner

Primary Examiner — Kelley Donnelly

(56) **References Cited**

U.S. PATENT DOCUMENTS

2,175,500 A * 10/1939 Bemis 99/340
D157,823 S * 3/1950 Wright D7/545

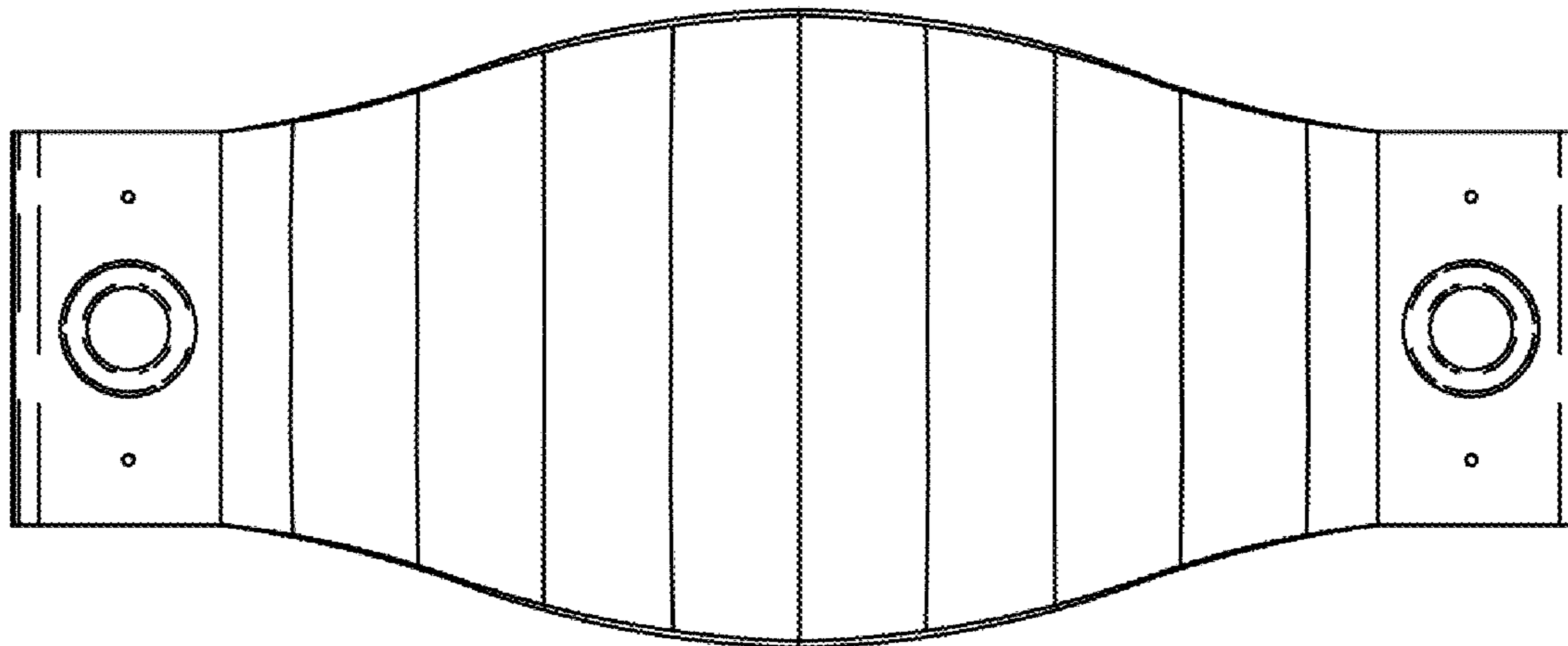
(57) **CLAIM**

The ornamental design for a snack tray, as shown and described.

DESCRIPTION

FIG. 1 is a top view of a snack tray showing my new design; FIG. 2 is a side top perspective view thereof; FIG. 3 is a front view thereof; the opposite side being a mirror image thereof; FIG. 4 is a side view thereof; the opposite side being a mirror image thereof; and, FIG. 5 is a side bottom perspective view thereof.

1 Claim, 2 Drawing Sheets



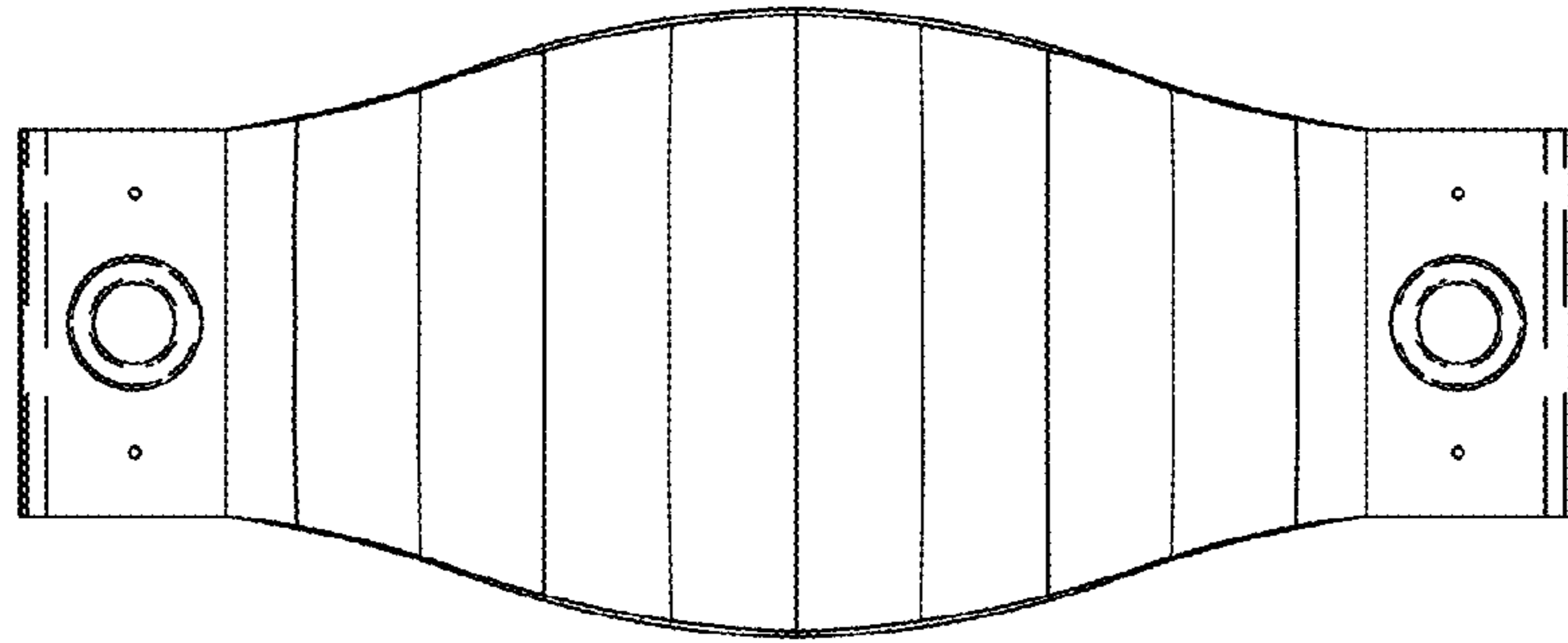


FIG. 1

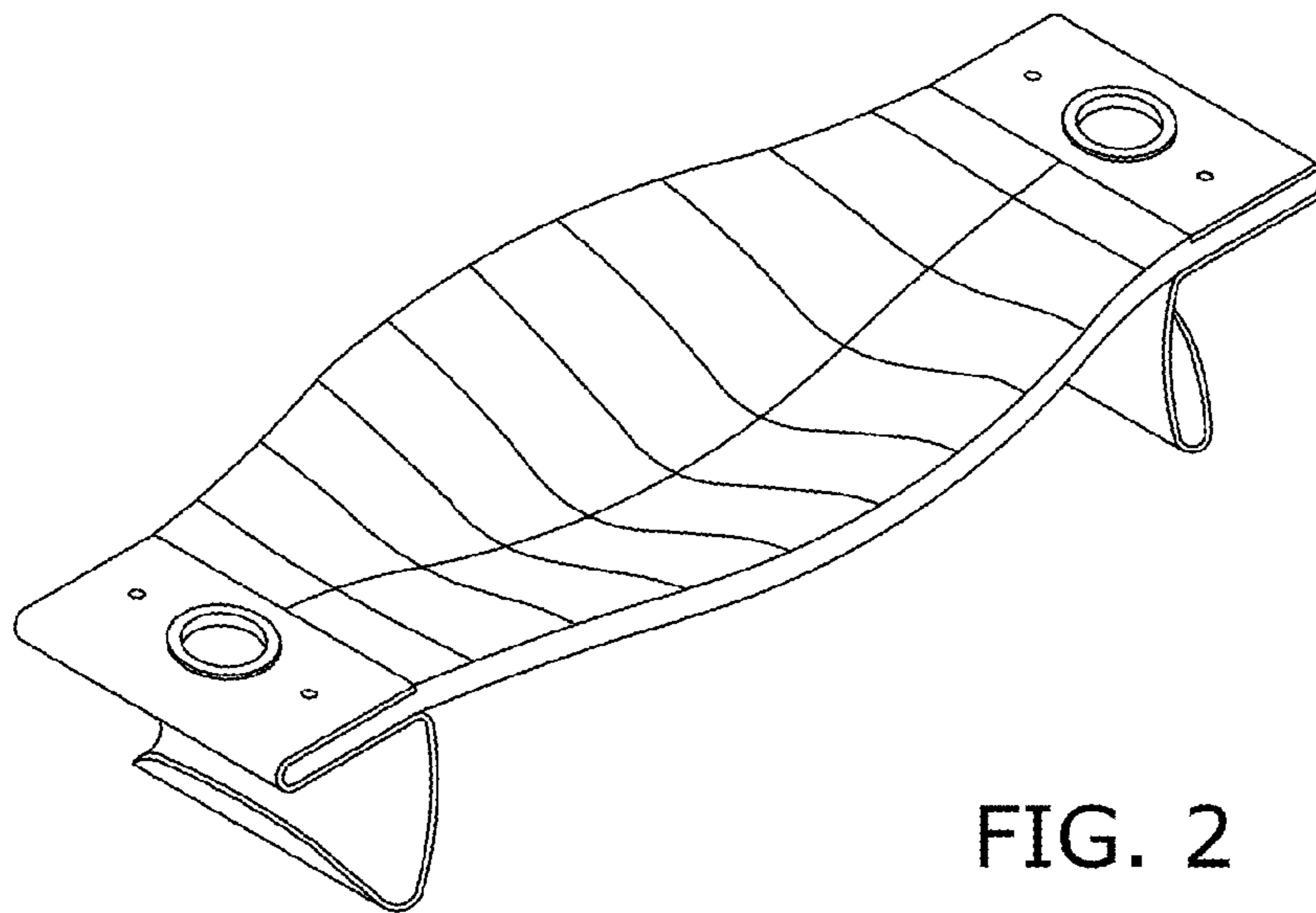


FIG. 2

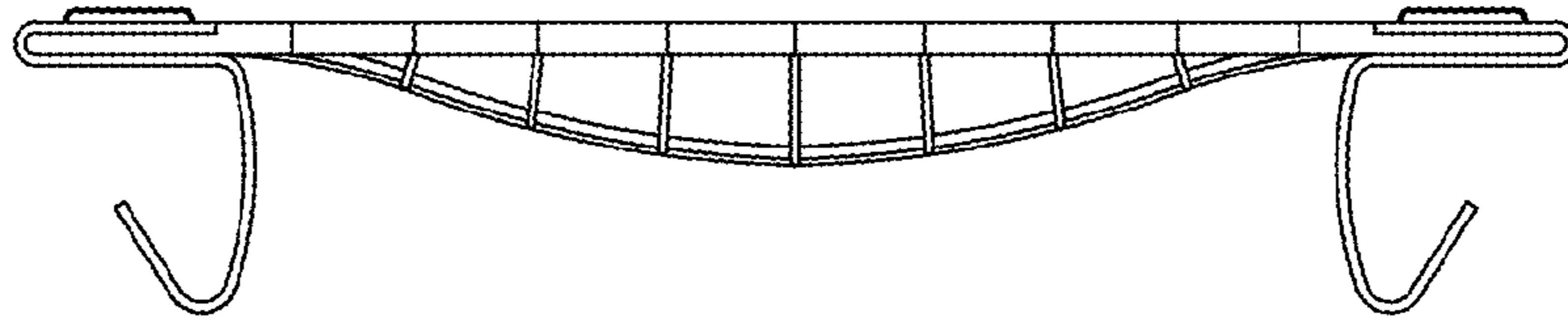


FIG. 3

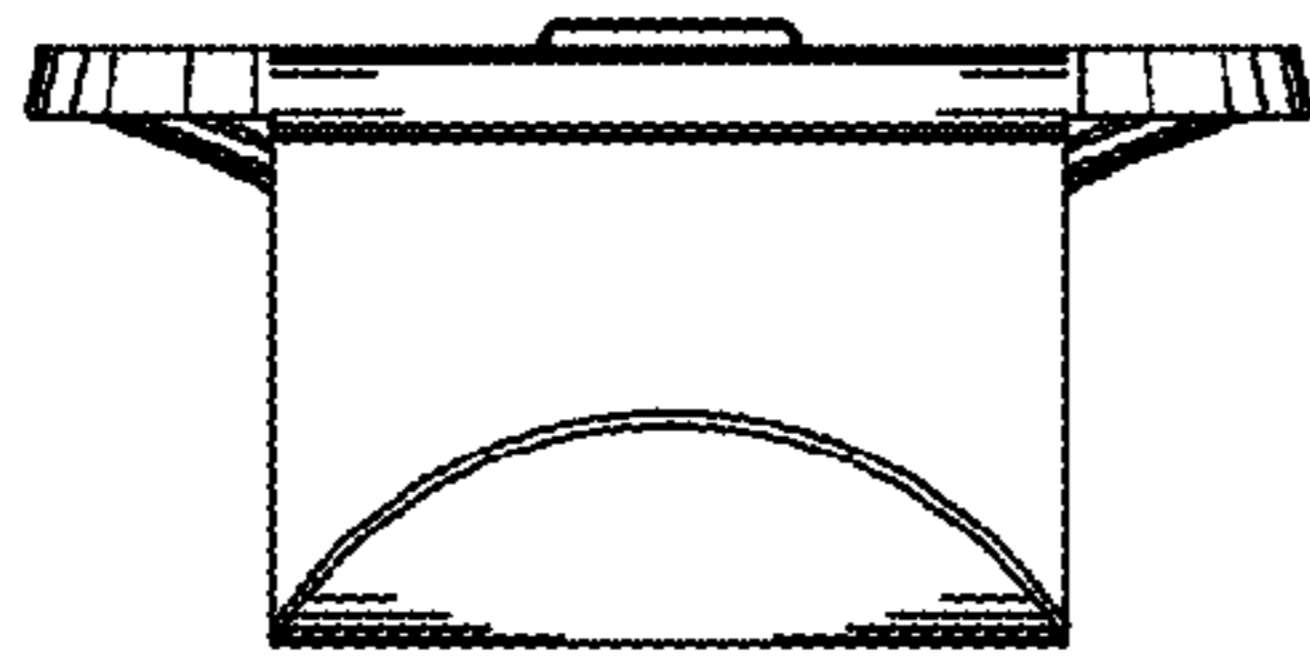


FIG. 4

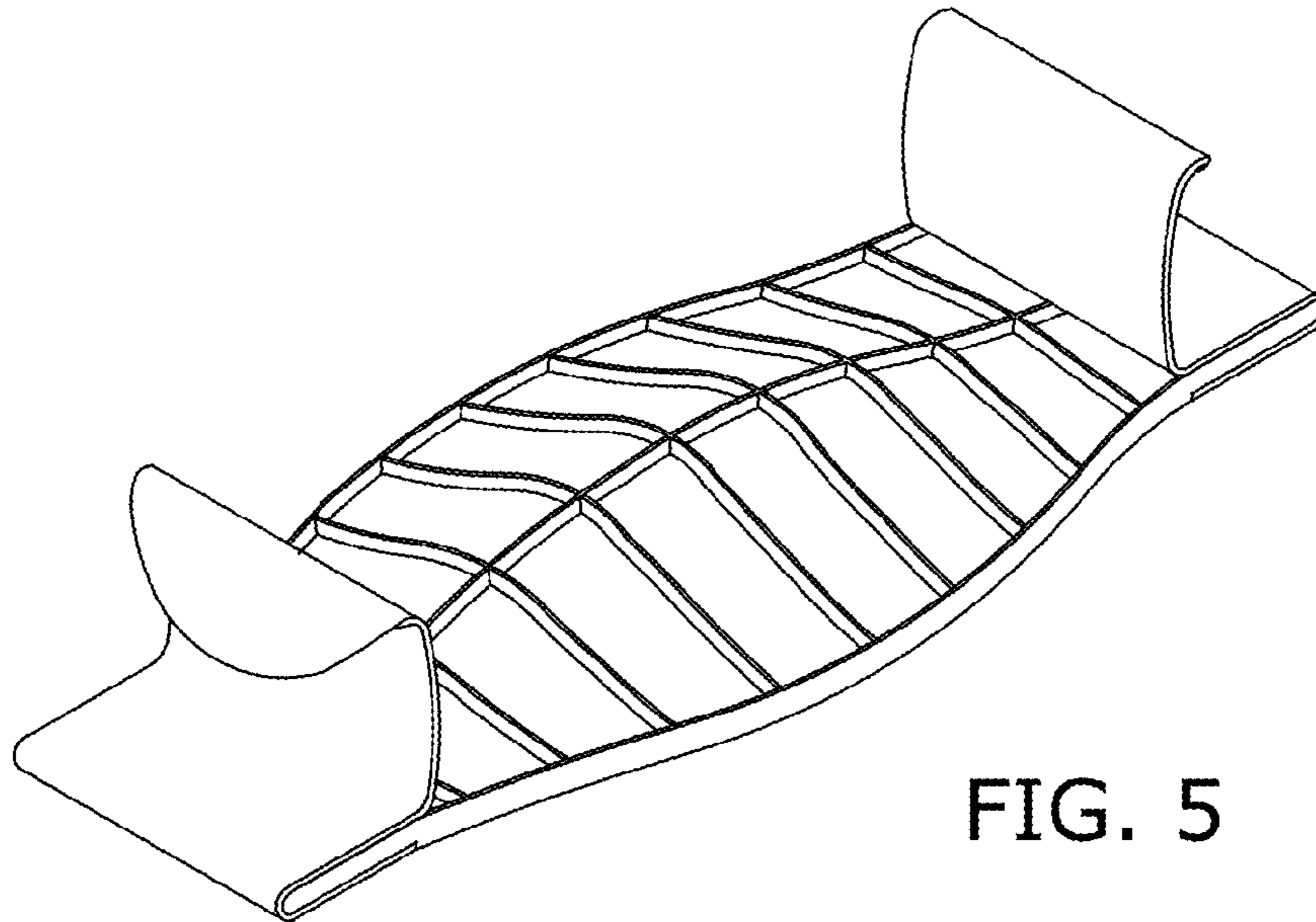


FIG. 5