



US00D709731S

(12) **United States Design Patent**  
**Jozancy**

(10) **Patent No.:** **US D709,731 S**  
(45) **Date of Patent:** **\*\* Jul. 29, 2014**

- (54) **ELECTRIC FRYER**
- (71) Applicant: **Luc Jozancy**, Sainte-Colombe (FR)
- (72) Inventor: **Luc Jozancy**, Sainte-Colombe (FR)
- (73) Assignee: **SEB**, Selongey (FR)
- (\*\*) Term: **14 Years**
- (21) Appl. No.: **29/439,483**
- (22) Filed: **Dec. 11, 2012**
- (51) **LOC (10) Cl.** ..... **07-02**
- (52) **U.S. Cl.**  
USPC ..... **D7/405**
- (58) **Field of Classification Search**  
USPC ..... D7/323, 329-332, 337-339, 346-347,  
D7/350.1-350.4, 353-367, 391-395,  
D7/402-408, 560; 99/324-325, 330-332,  
99/337-343, 366-369, 400-418, 422, 425,  
99/444, 348; 126/37 R, 41 R, 261, 369,  
126/378.1; 426/438, 441  
See application file for complete search history.

D475,570 S *	6/2003	Jozancy	.....	D7/354
D489,935 S *	5/2004	Choi	.....	D7/354
6,742,444 B1 *	6/2004	Lai et al.	.....	99/330
6,807,899 B2 *	10/2004	Dirand	.....	99/410
D516,374 S *	3/2006	McLemore	.....	D7/360
D542,095 S *	5/2007	Orent et al.	.....	D7/560
D551,897 S *	10/2007	De Pra'	.....	D7/339
D560,424 S *	1/2008	McLemore	.....	D7/355
D604,093 S *	11/2009	Moussu	.....	D7/360
D622,093 S	8/2010	Reiner		

(Continued)

**FOREIGN PATENT DOCUMENTS**

BR	DI6904319-1	7/2010
BR	DI7103079-4	4/2012

(Continued)

*Primary Examiner* — T. Chase Nelson  
*Assistant Examiner* — Mark Cavanna  
 (74) *Attorney, Agent, or Firm* — Loeb & Loeb LLP

(57) **CLAIM**  
 The ornamental design for an electric fryer, as shown and described.

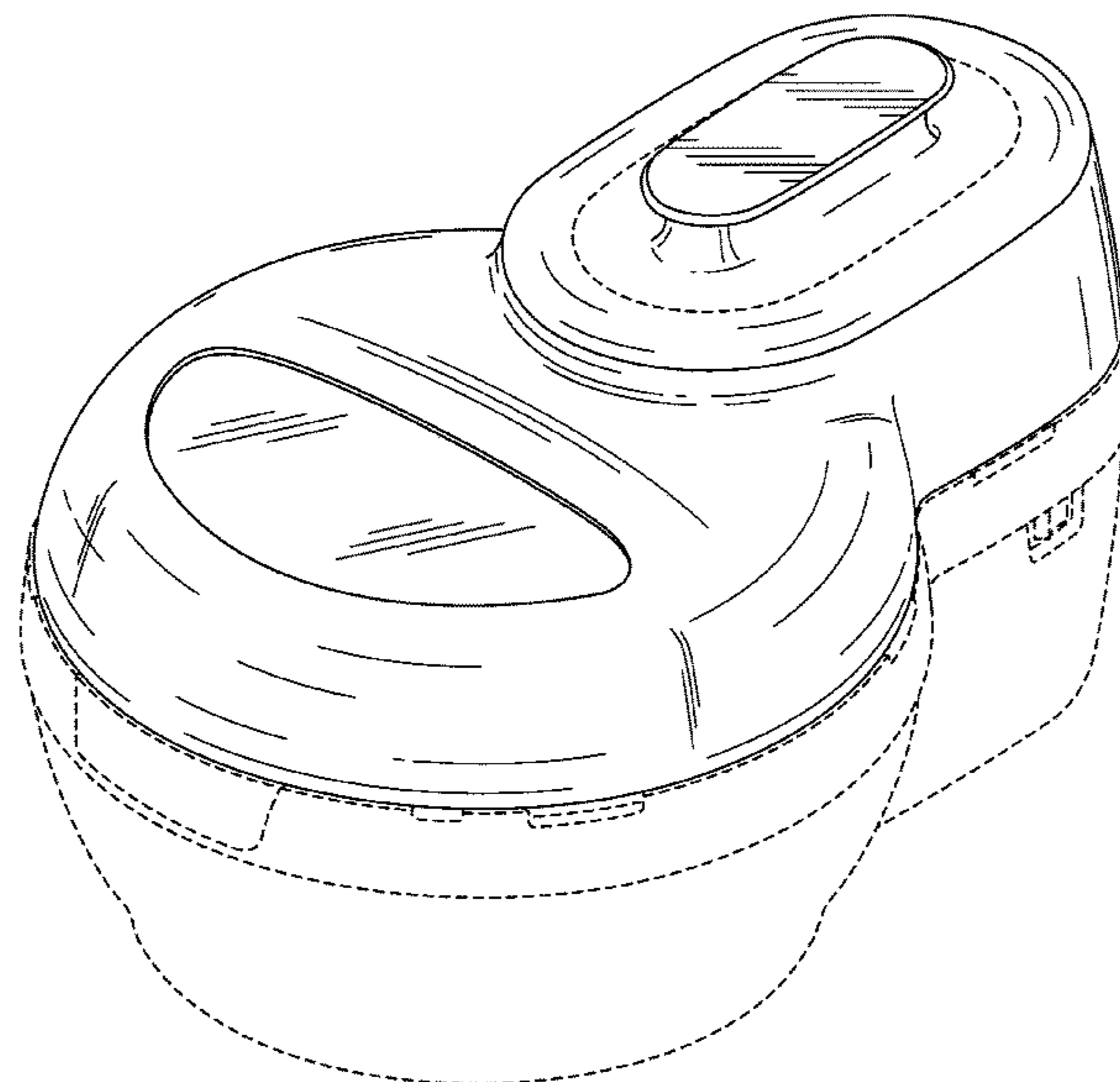
**DESCRIPTION**

FIG. 1 is a front elevational view of an electric fryer showing my new design.  
 FIG. 2 is a back view of the electric fryer thereof.  
 FIG. 3 is a right side view of the electric fryer thereof.  
 FIG. 4 is a left side view of the electric fryer thereof.  
 FIG. 5 is a top view of the electric fryer thereof.  
 FIG. 6 is a bottom view of electric fryer thereof; and,  
 FIG. 7 is a perspective view of the electric fryer thereof.  
 The broken lines appearing in the figures are for the purpose of illustrating the structure of the article of the claimed design and form no part of the claimed design.

**1 Claim, 7 Drawing Sheets**

(56) **References Cited**  
**U.S. PATENT DOCUMENTS**

D272,034 S *	1/1984	Beugnot	.....	D7/360
D305,971 S *	2/1990	Janssens	.....	D7/360
D313,530 S *	1/1991	Leiros	.....	D7/360
D341,056 S *	11/1993	Powell	.....	D7/323
D345,280 S *	3/1994	Powell	.....	D7/323
D346,527 S *	5/1994	Del Fresno	.....	D7/323
D347,353 S *	5/1994	Piret et al.	.....	D7/360
D395,786 S *	7/1998	Rossi	.....	D7/323
D395,980 S *	7/1998	Boisselier	.....	D7/323
D397,579 S *	9/1998	Wu Chang	.....	D7/350.1
D422,447 S *	4/2000	Jozancy	.....	D7/354
D474,937 S *	5/2003	Jozancy	.....	D7/354



(56)

**References Cited**

U.S. PATENT DOCUMENTS

D638,251 S 5/2011 Josancy  
 D641,586 S \* 7/2011 Martin ..... D7/361  
 7,993,694 B2 \* 8/2011 Goderiaux et al. .... 99/348  
 D655,971 S 3/2012 Reiner  
 8,230,779 B2 \* 7/2012 Yang ..... 99/403  
 D664,801 S 8/2012 Reiner  
 8,297,181 B2 \* 10/2012 Yang ..... 99/407

FOREIGN PATENT DOCUMENTS

CA 132458 8/2010  
 CA 140923 1/2012  
 CN ZL 200630015113.5 5/2007  
 CN ZL 200930193213.0 4/2010  
 CN ZL 201130198632.0 11/2011  
 CN ZL 201130198635.4 11/2011  
 CN ZL 201130436071.3 5/2012  
 CN ZL 201230622105.2 12/2012

CN ZL 201230622099.0 4/2013  
 CN ZL 201230645244.7 4/2013  
 EM 000512298-0001 4/2006  
 EM 0001162804-0001 9/2009  
 EM 001278931-0001 6/2011  
 EM 001278949-0001 6/2011  
 EM 001330815-0001 6/2012  
 EM 001333116-0001 7/2012  
 EM 002187088-0001 2/2013  
 FR 05 6340 2/2006  
 FR 09 2453 7/2009  
 FR 11 1074 4/2011  
 FR 11 1075 4/2011  
 RU 81139 3/2012  
 RU 81680 5/2012  
 SA 2194 4/2012  
 TR 2009-05410 11/2009  
 TR 2011-05305 8/2011  
 TR 2011-05307 8/2011  
 TR 2012-07819 4/2013

\* cited by examiner

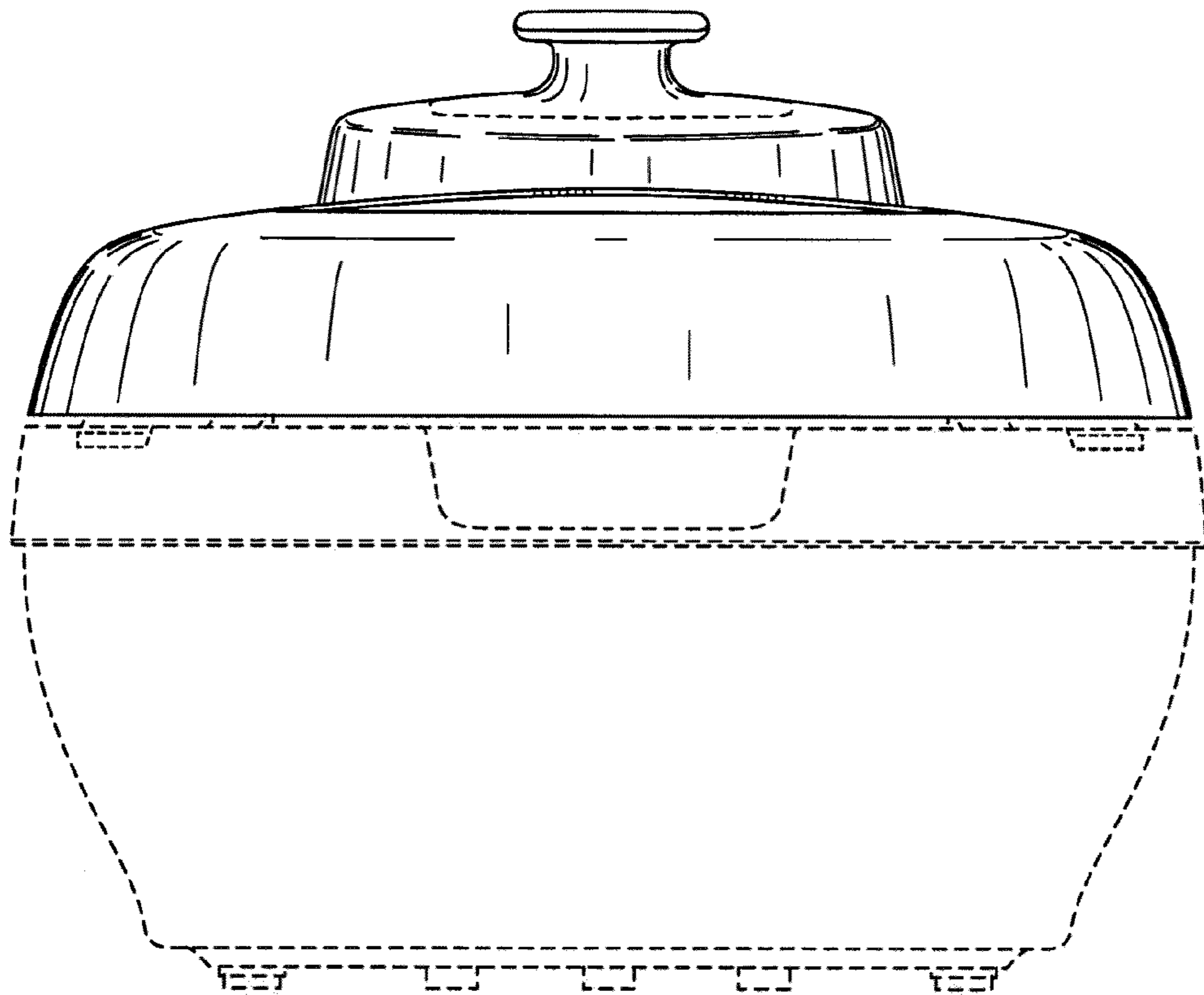


FIG. 1

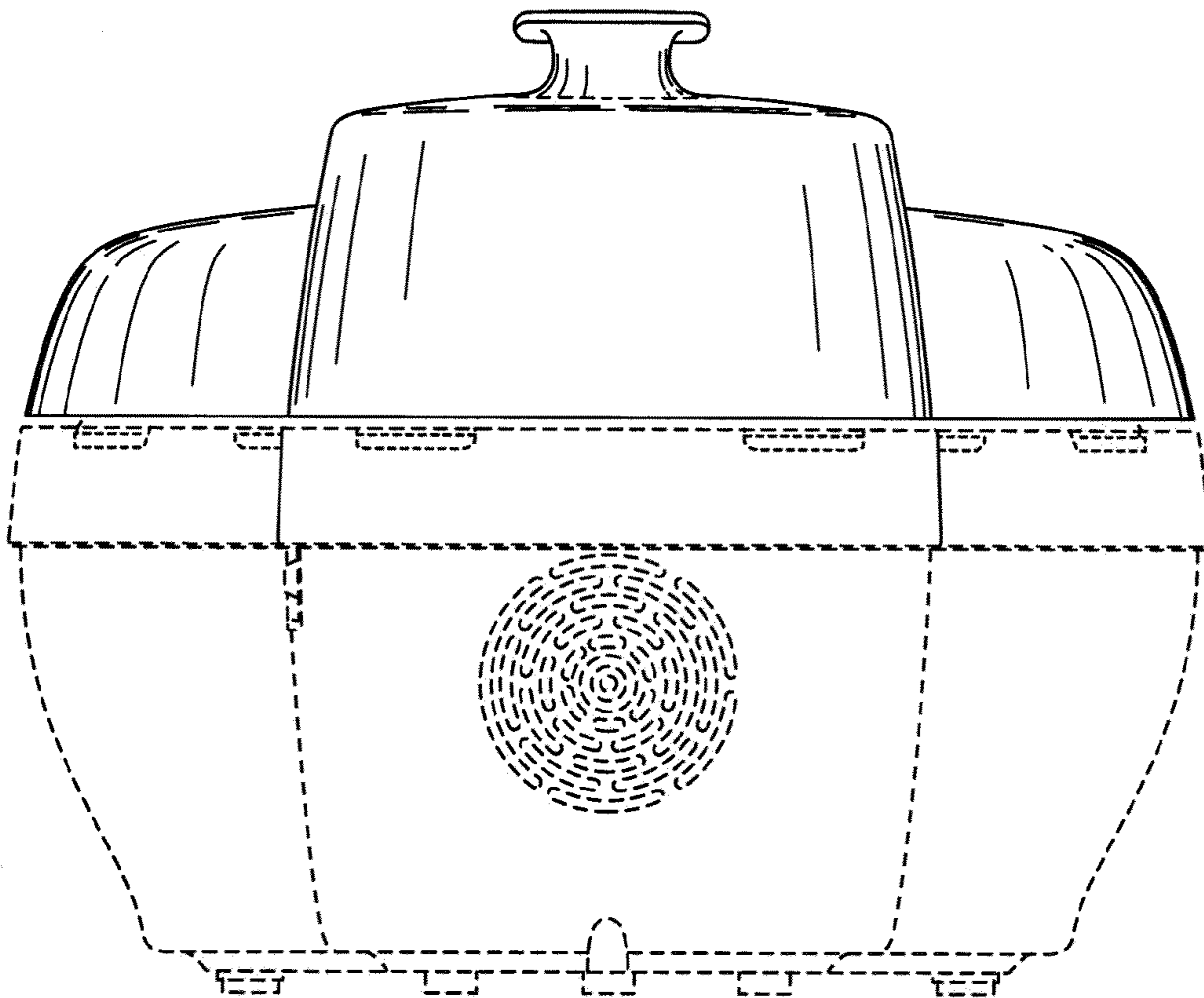


FIG. 2

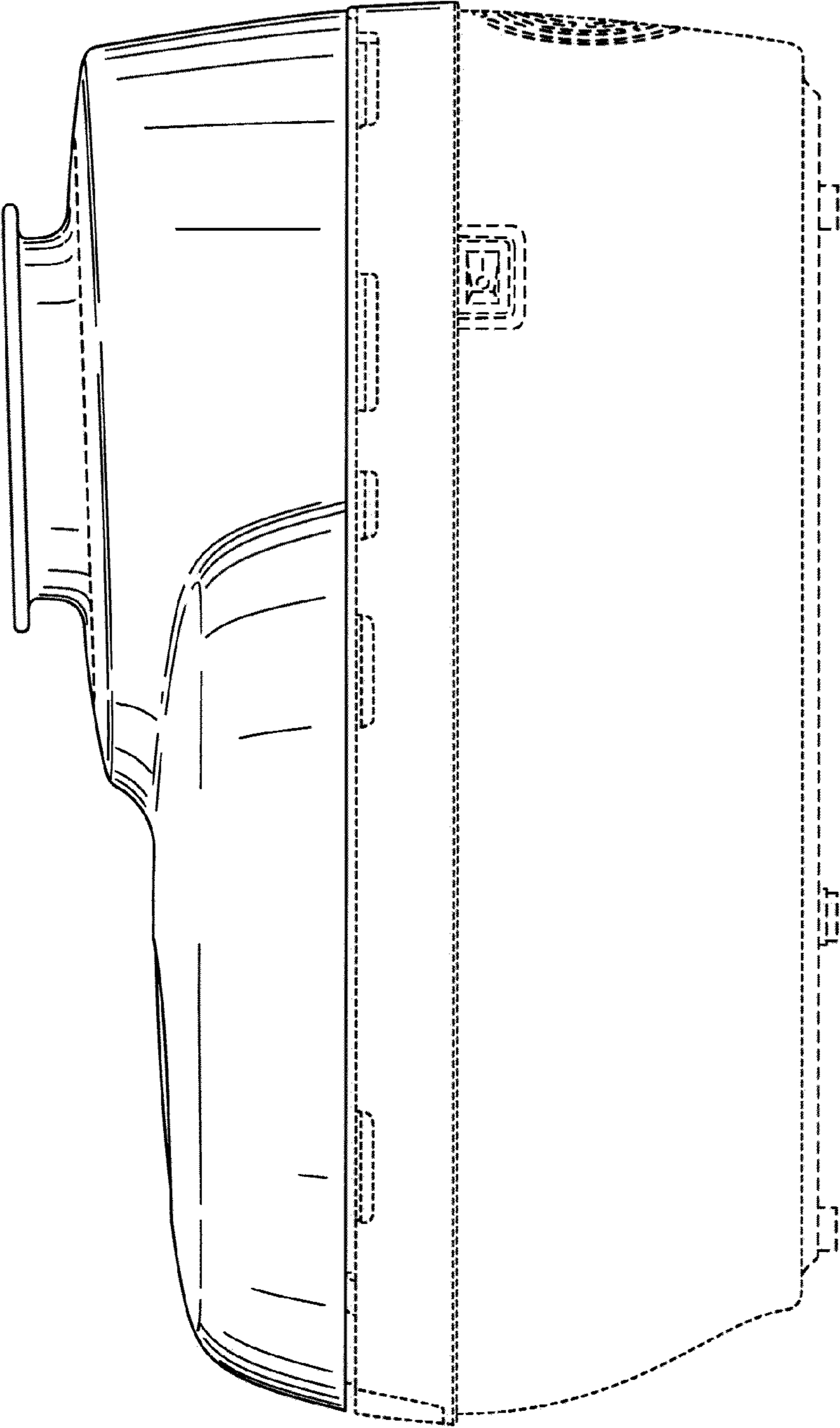


FIG. 3

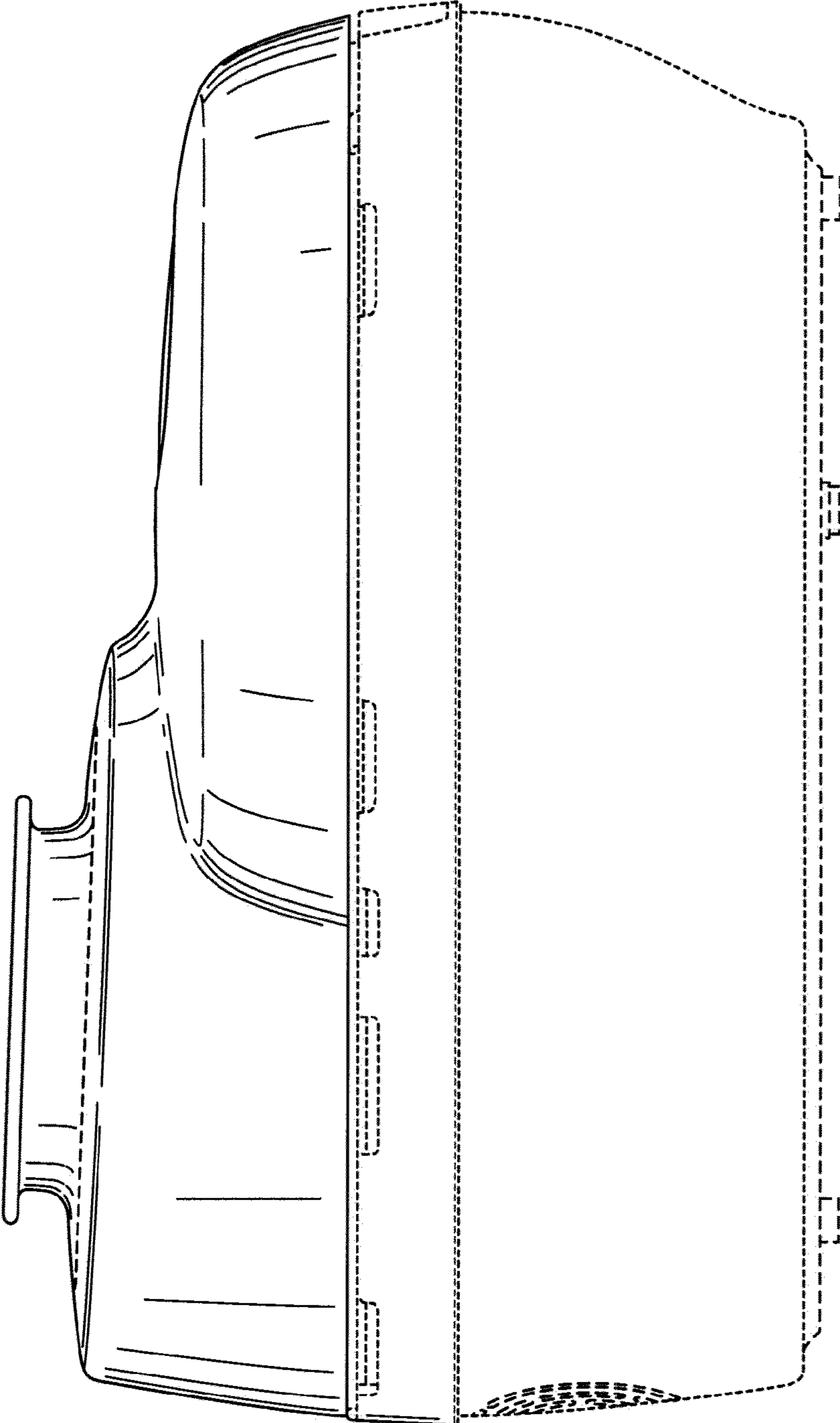


FIG. 4

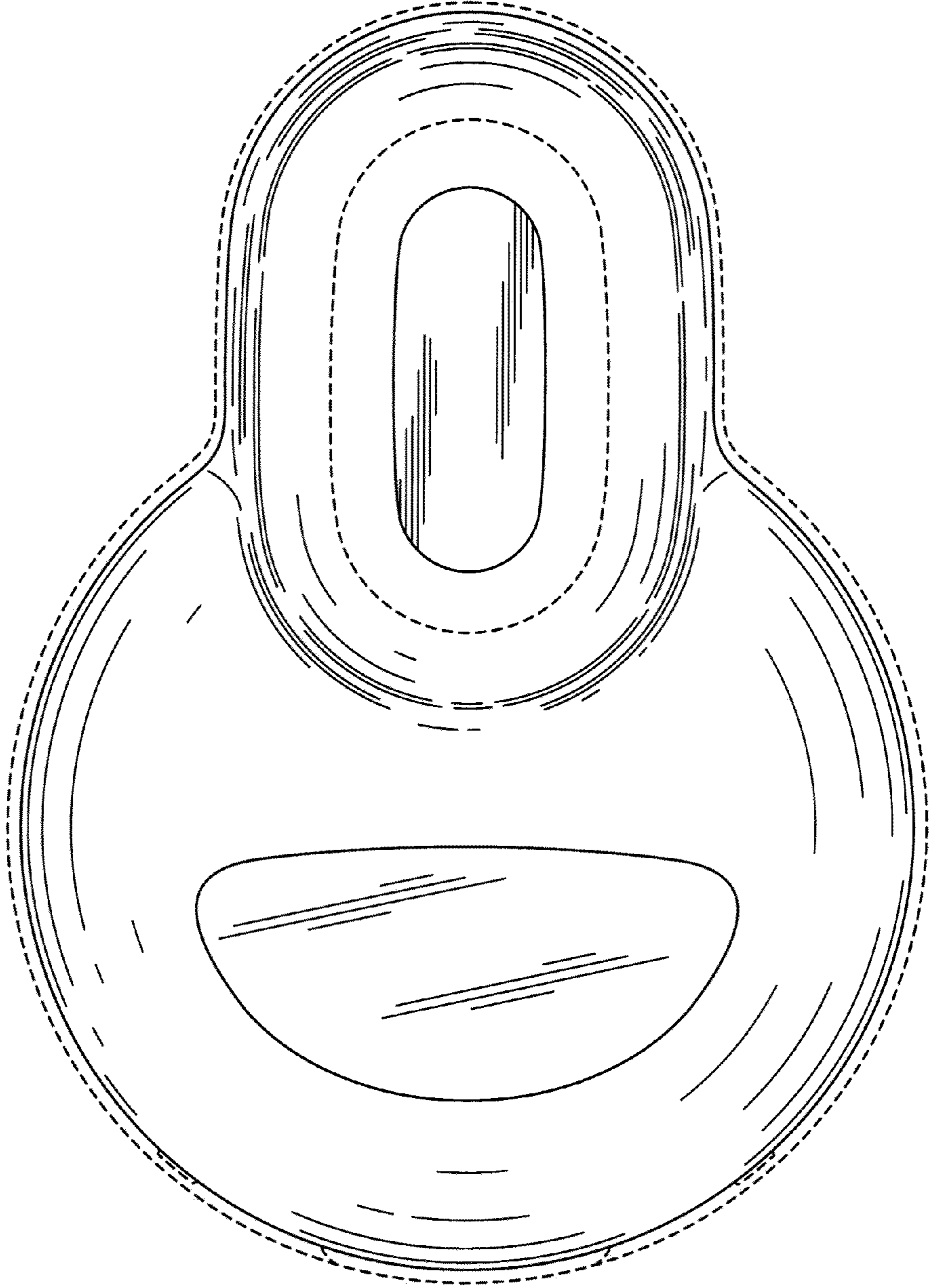


FIG. 5

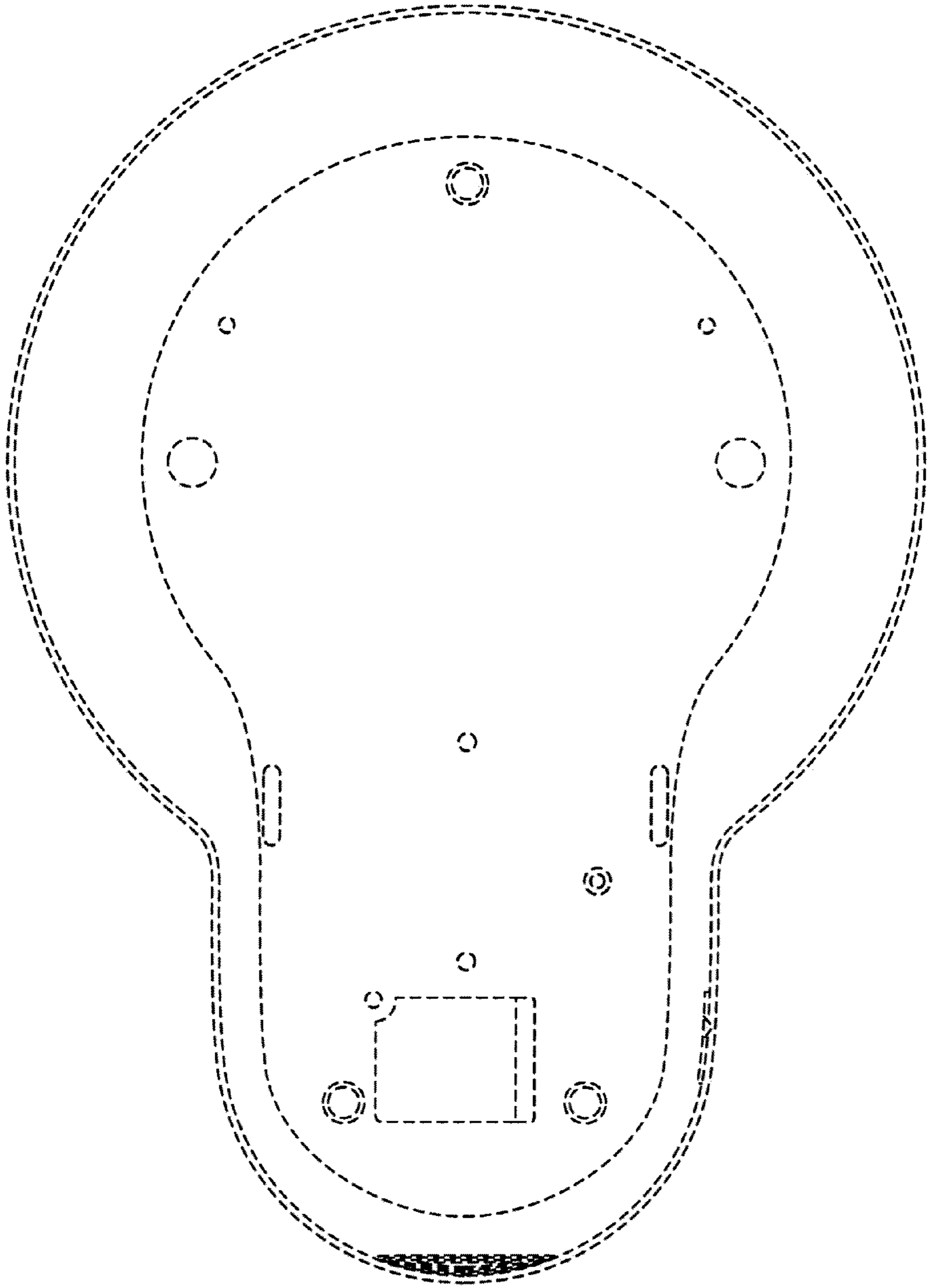


FIG. 6



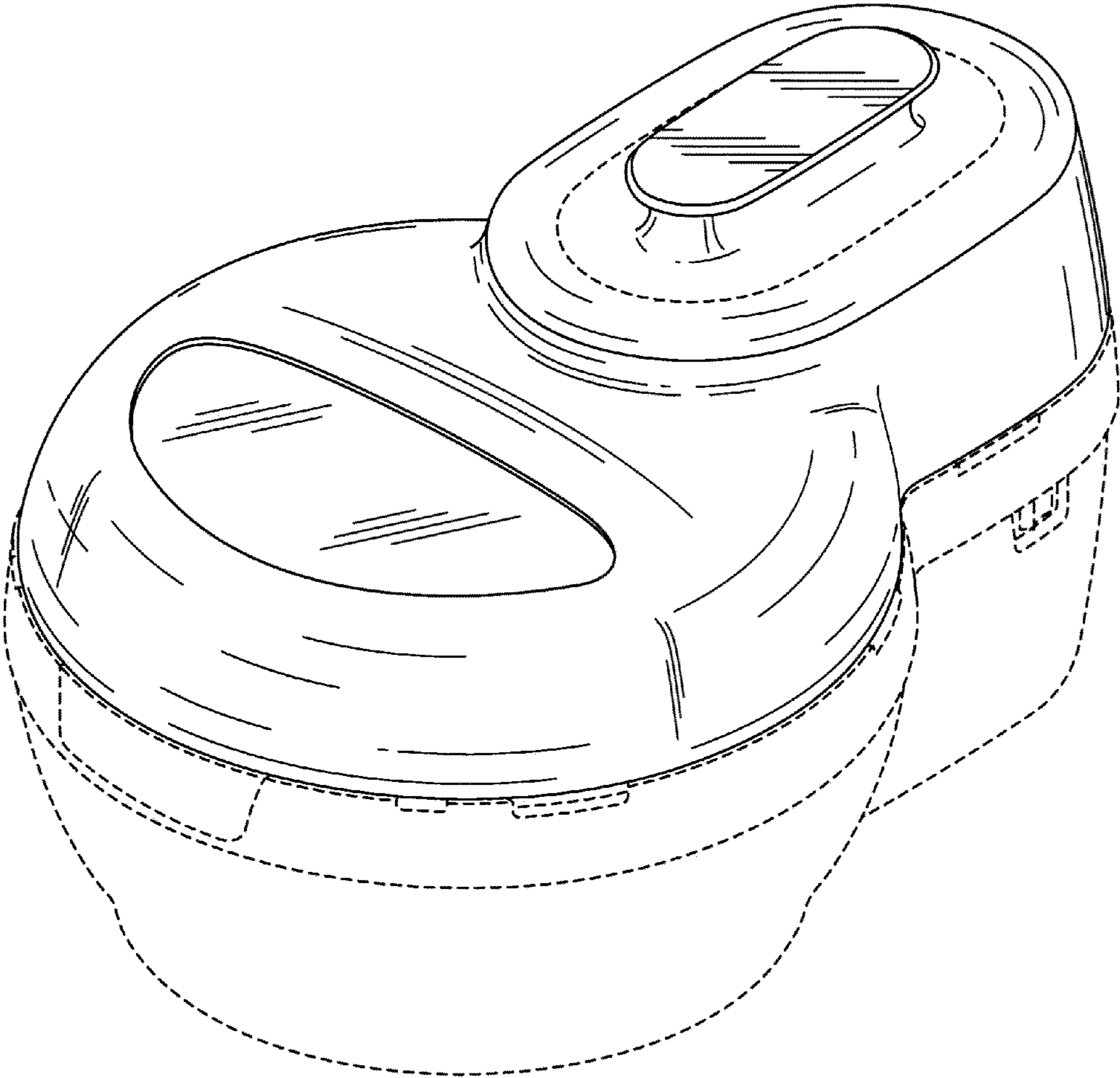


FIG. 7