



US00D709727S

(12) **United States Design Patent**
Cloutier et al.

(10) **Patent No.:** **US D709,727 S**

(45) **Date of Patent:** **** Jul. 29, 2014**

(54) **MODULAR GRIDDLE AND GRILL FRAME WITH INSERTS**

(71) Applicant: **Magellan Group, Ltd.**, Blaine, WA (US)

(72) Inventors: **Andre Dean Cloutier**, Blaine, WA (US);
Edwin Cheong, Blaine, WA (US);
Adriana Collins, Blaine, WA (US);
Marie Thornton, Blaine, WA (US);
Debra Lynne Sasken-Duff, Blaine, WA (US)

(73) Assignee: **Magellan Group, Ltd.**, Blaine, WA (US)

(**) Term: **14 Years**

(21) Appl. No.: **29/434,805**

(22) Filed: **Oct. 17, 2012**

(51) **LOC (10) Cl.** **07-02**

(52) **U.S. Cl.**

USPC **D7/363; D7/354**

(58) **Field of Classification Search**

USPC D7/323, 329-332, 337-339, 346-347,
D7/350.1-350.4, 353-367, 388-395,
D7/402-409, 505, 541-543, 552.1-552.2,
D7/554.3, 586, 602, 629, 665, 698, 701;
99/324-325, 330-332, 337-343,
99/366-369, 393, 400-418, 422-426,
99/444-450, 476; 126/9 B, 25 AA, 25 R,
126/30, 37 R, 41 R, 168, 261, 337 R, 332,
126/378.1, 390.1; 206/335, 470, 508;
219/368-387, 392, 400, 405, 429-442,
219/450.1, 452.11, 620-624, 725,
219/730-735; 220/314-315, 486,
220/573.1-573.5, 592.16, 657, 792, 912;
229/120.17

See application file for complete search history.

(56) **References Cited**

U.S. PATENT DOCUMENTS

4,202,465 A * 5/1980 McLaren 229/120.17
D271,072 S * 10/1983 Mjelde D7/505

(Continued)

Primary Examiner — Ricky Pham

(74) *Attorney, Agent, or Firm* — Dwayne E. Rogge; Schacht Law Office, Inc.

(57) **CLAIM**

The ornamental design for a modular griddle and grill frame with inserts, as shown and described.

DESCRIPTION

FIG. 1 is an isometric view of the modular griddle and grill frame thereof with the inserts shown separately for clarity of illustration.

FIG. 2 is a top view thereof.

FIG. 3 is a front view thereof with the opposing rear view being a mirror image thereof.

FIG. 4 is a bottom view thereof.

FIG. 5 is a side view thereof with the opposing side view being a mirror image thereof.

FIG. 6 is a cutaway view taken along line 6-6 of FIG. 2 for illustrative purposes.

FIG. 7 is a detail view of the region 7 of FIG. 6.

FIG. 8 is an exploded isometric view of the modular griddle and grill frame with an insert shown separately for clarity of illustration.

FIG. 9 is an isometric view thereof with the insert of FIG. 8.

FIG. 10 is a top view thereof.

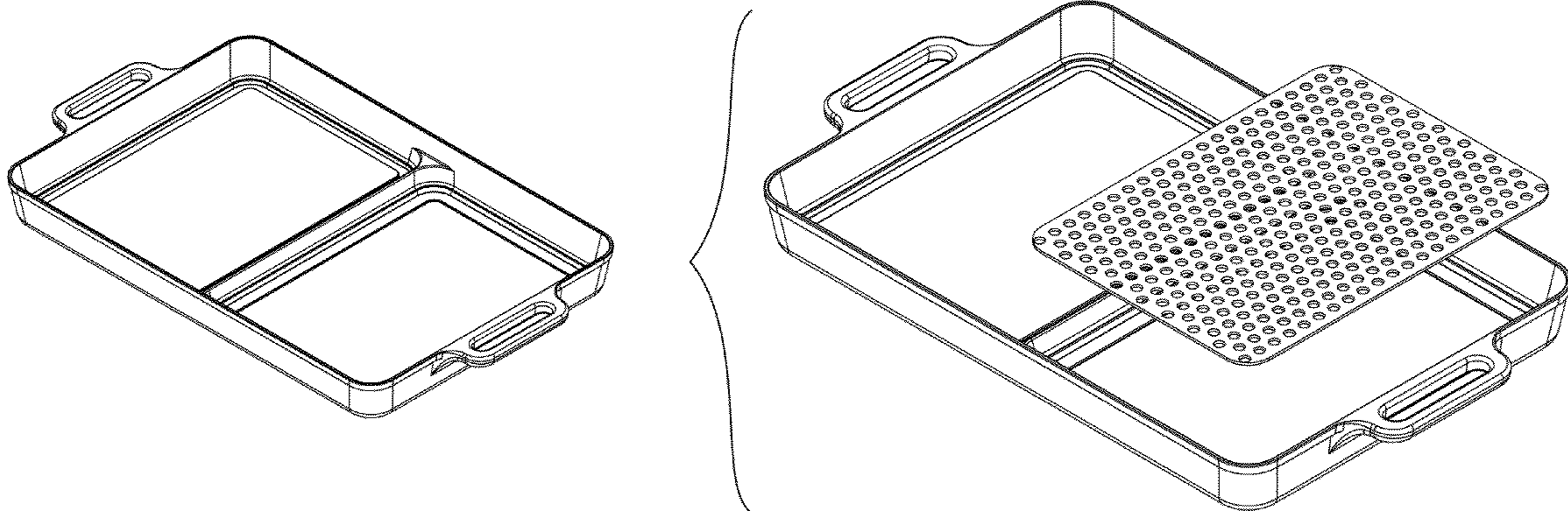
FIG. 11 is an exploded isometric view of the modular griddle and grill frame with a different insert shown separately for clarity of illustration.

FIG. 12 is an isometric view thereof with the insert of FIG. 11; and,

FIG. 13 is a top view thereof.

Any broken lines shown in the drawings are for illustrative purposes only and form no part of the claimed design.

1 Claim, 12 Drawing Sheets



(56)

References Cited

U.S. PATENT DOCUMENTS

D281,215 S * 11/1985 Lastuck D7/363
4,930,491 A * 6/1990 Purello 126/332
5,884,555 A * 3/1999 Chang 99/425
D408,222 S * 4/1999 Carter D7/541

D409,041 S * 5/1999 Barker D7/362
D441,250 S * 5/2001 Choi D7/362
6,813,994 B2 * 11/2004 Williams 99/426
6,844,529 B2 * 1/2005 Grohs 219/450.1
D588,399 S * 3/2009 Vrbanek D7/359
D656,789 S * 4/2012 Locke D7/541
D658,933 S * 5/2012 Woodard D7/357

* cited by examiner

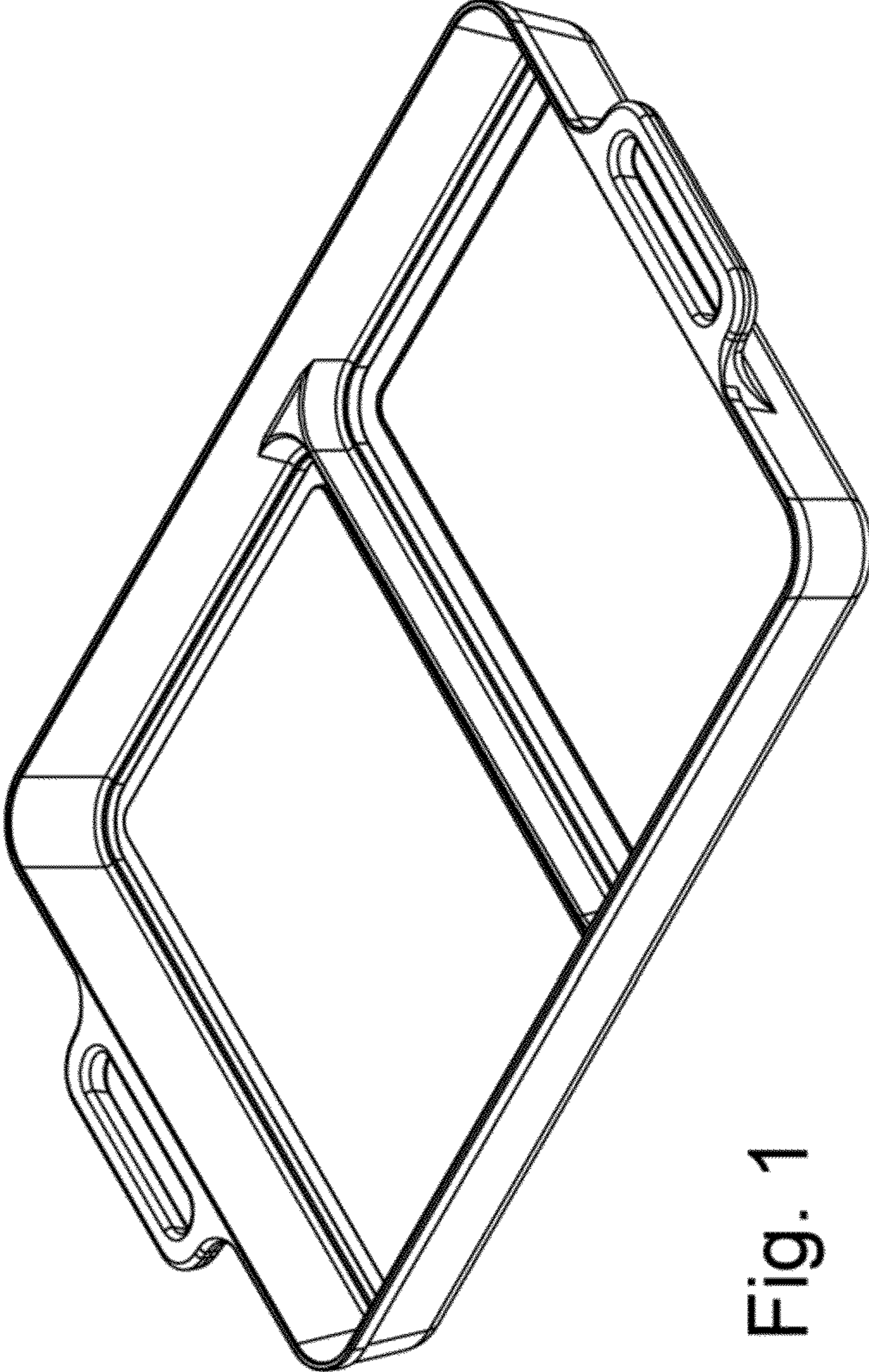


Fig. 1

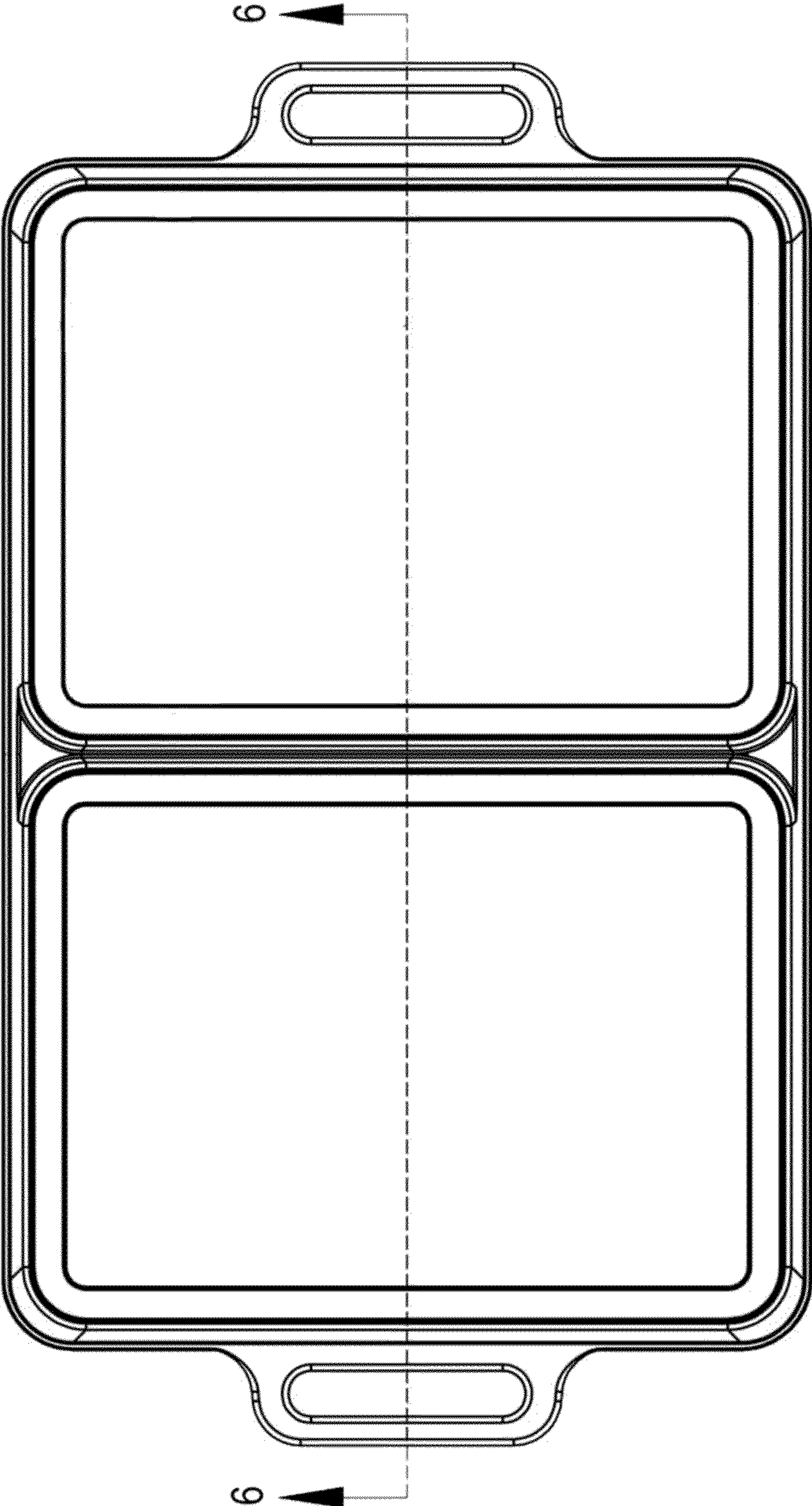


FIG. 2

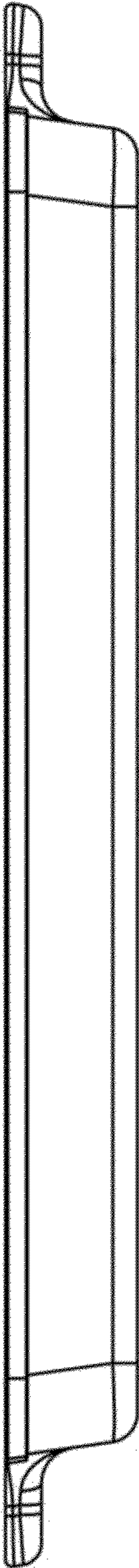


Fig. 3

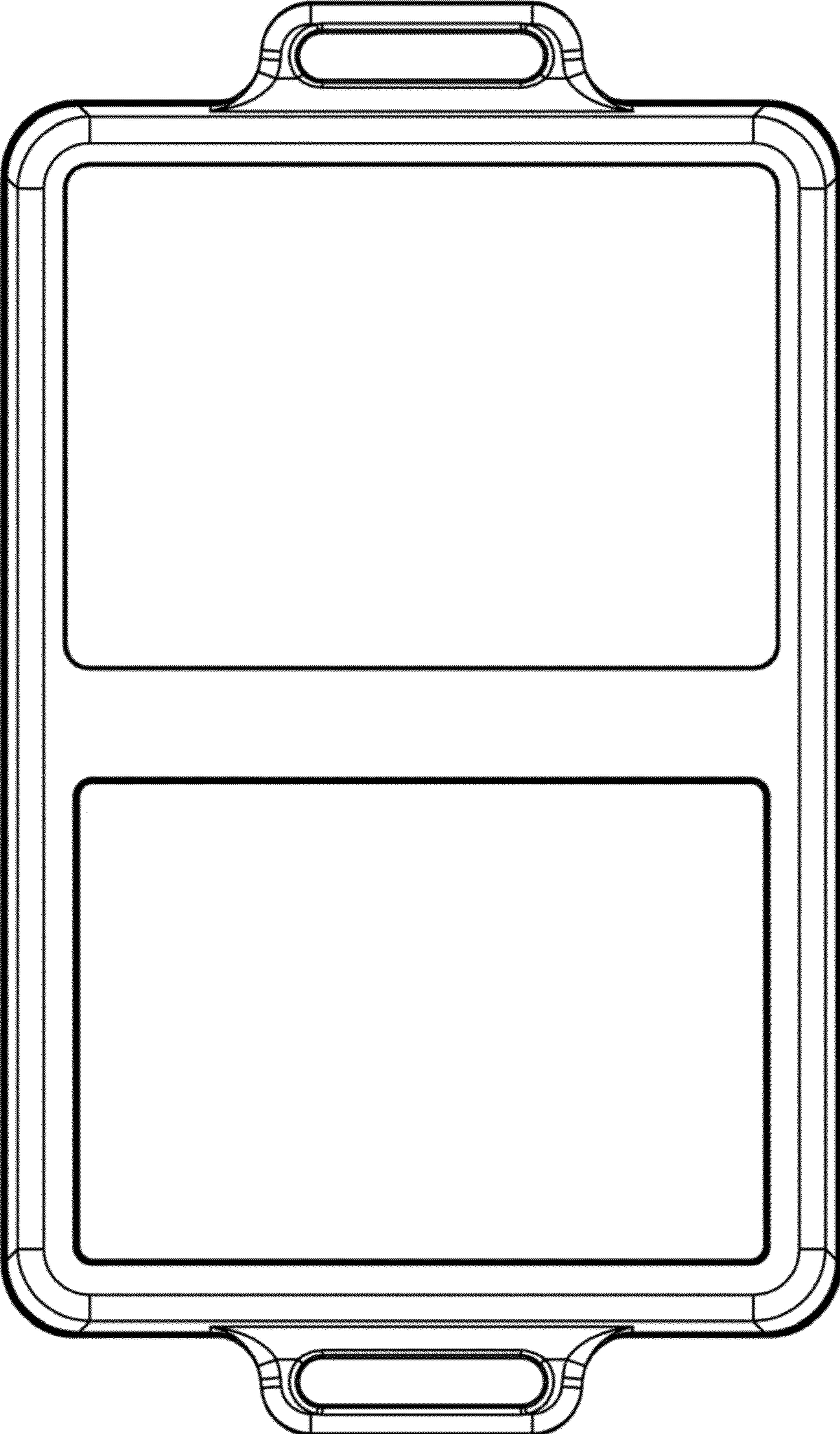


FIG. 4

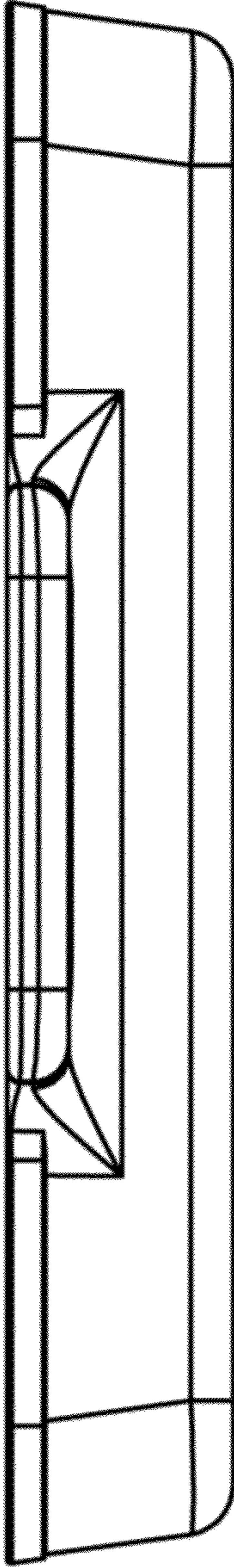


Fig. 5

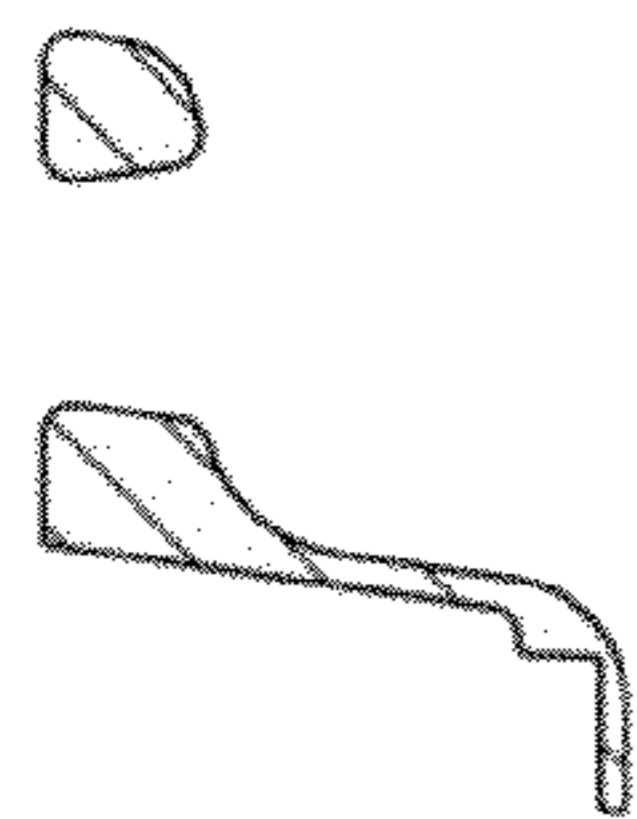


Fig. 6

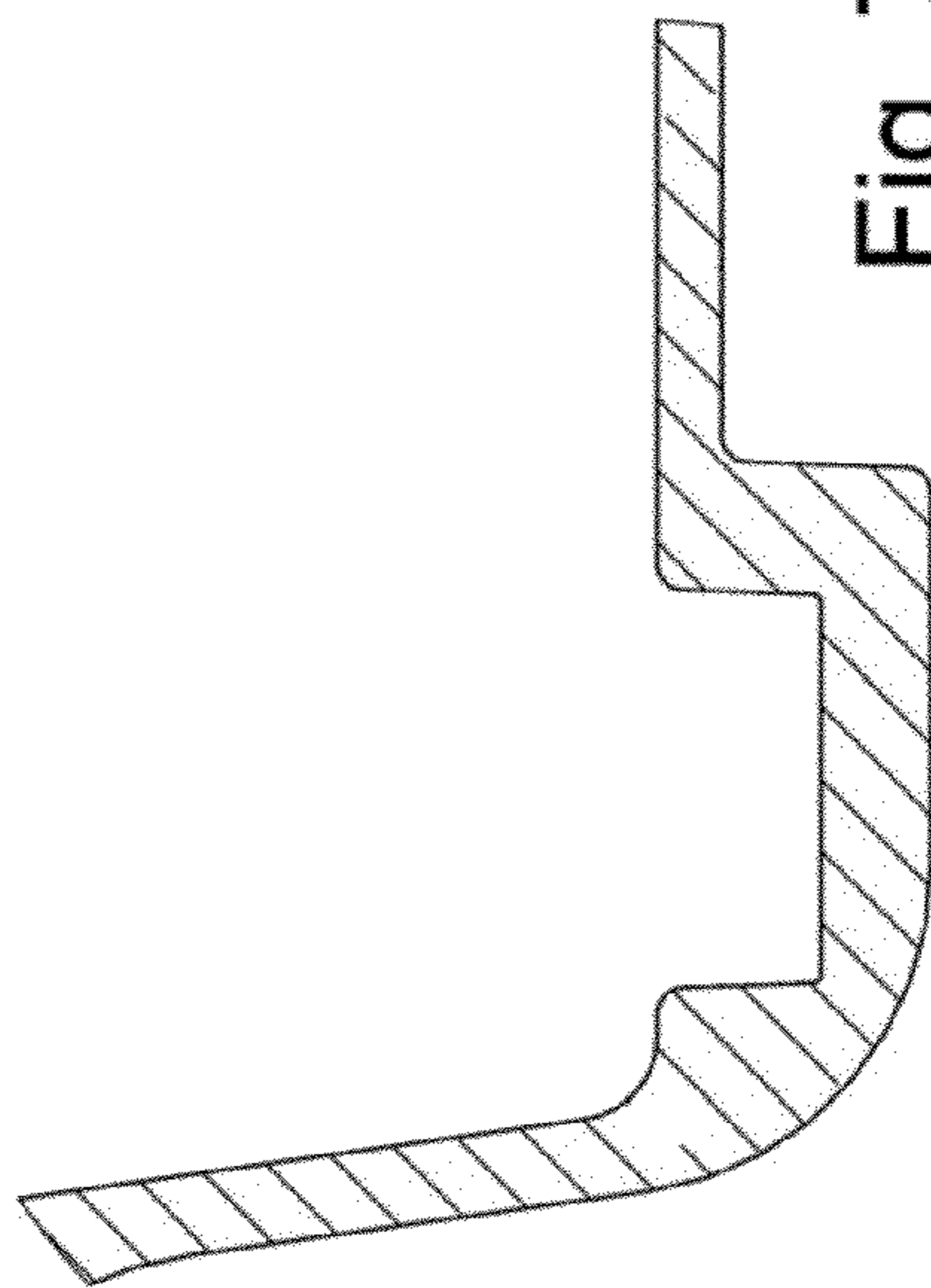
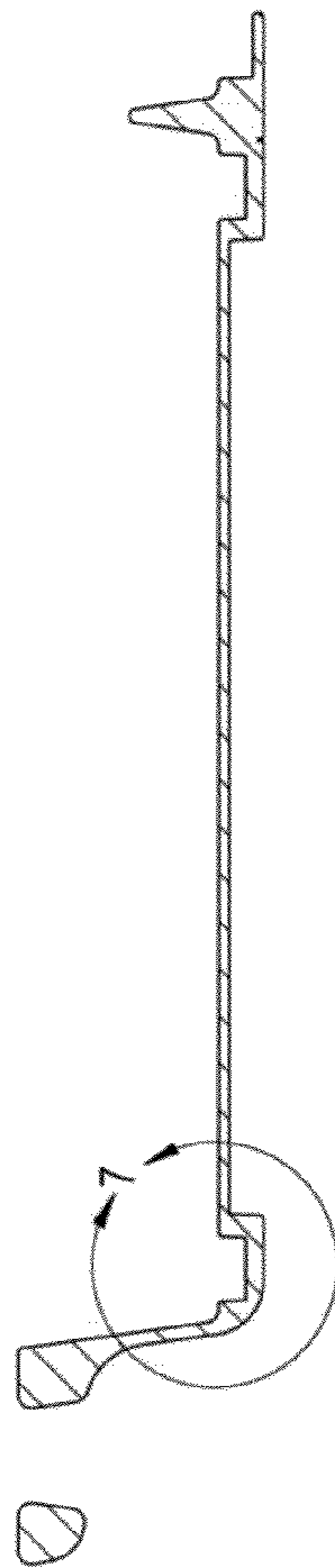


Fig. 7

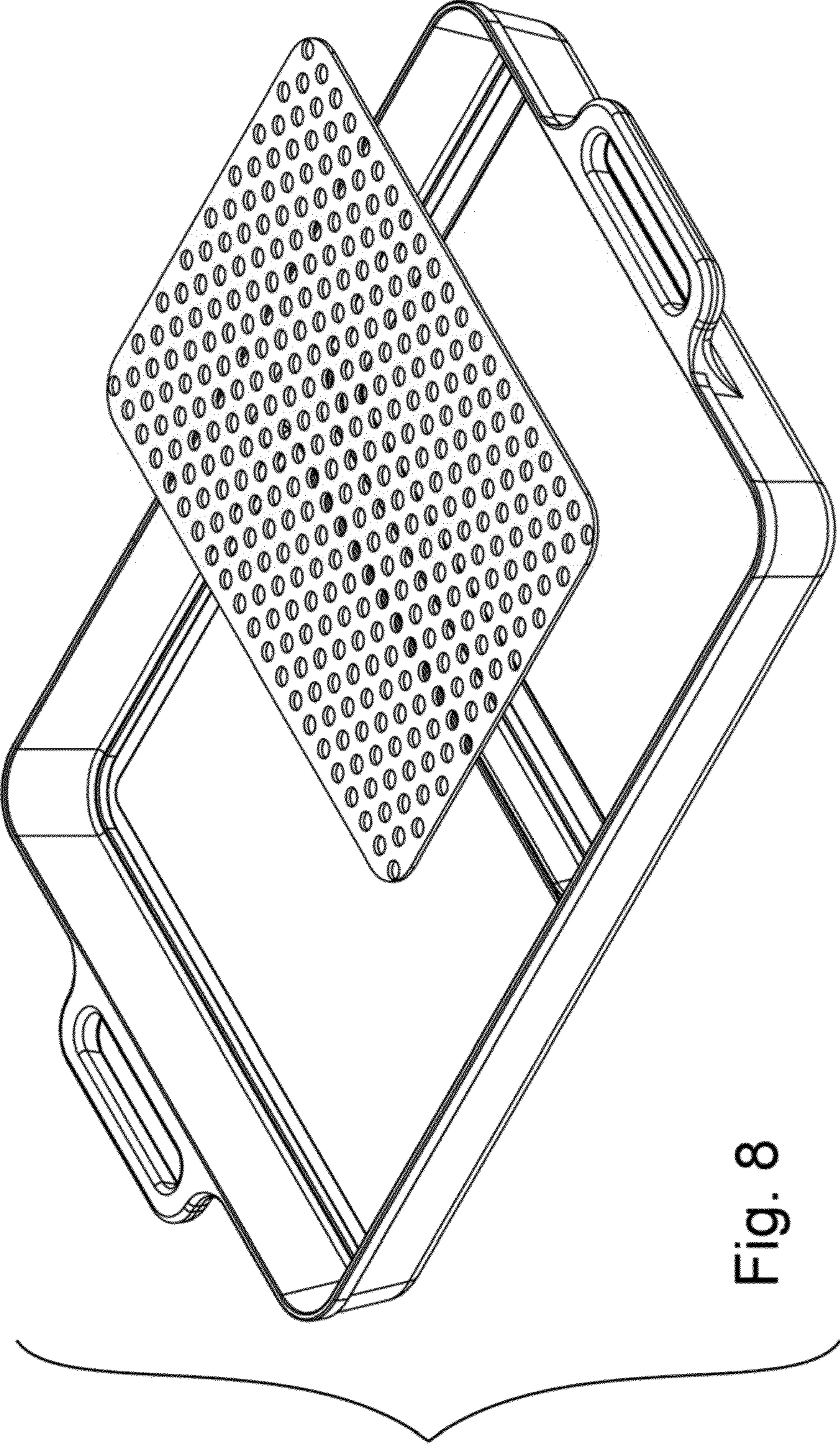


Fig. 8

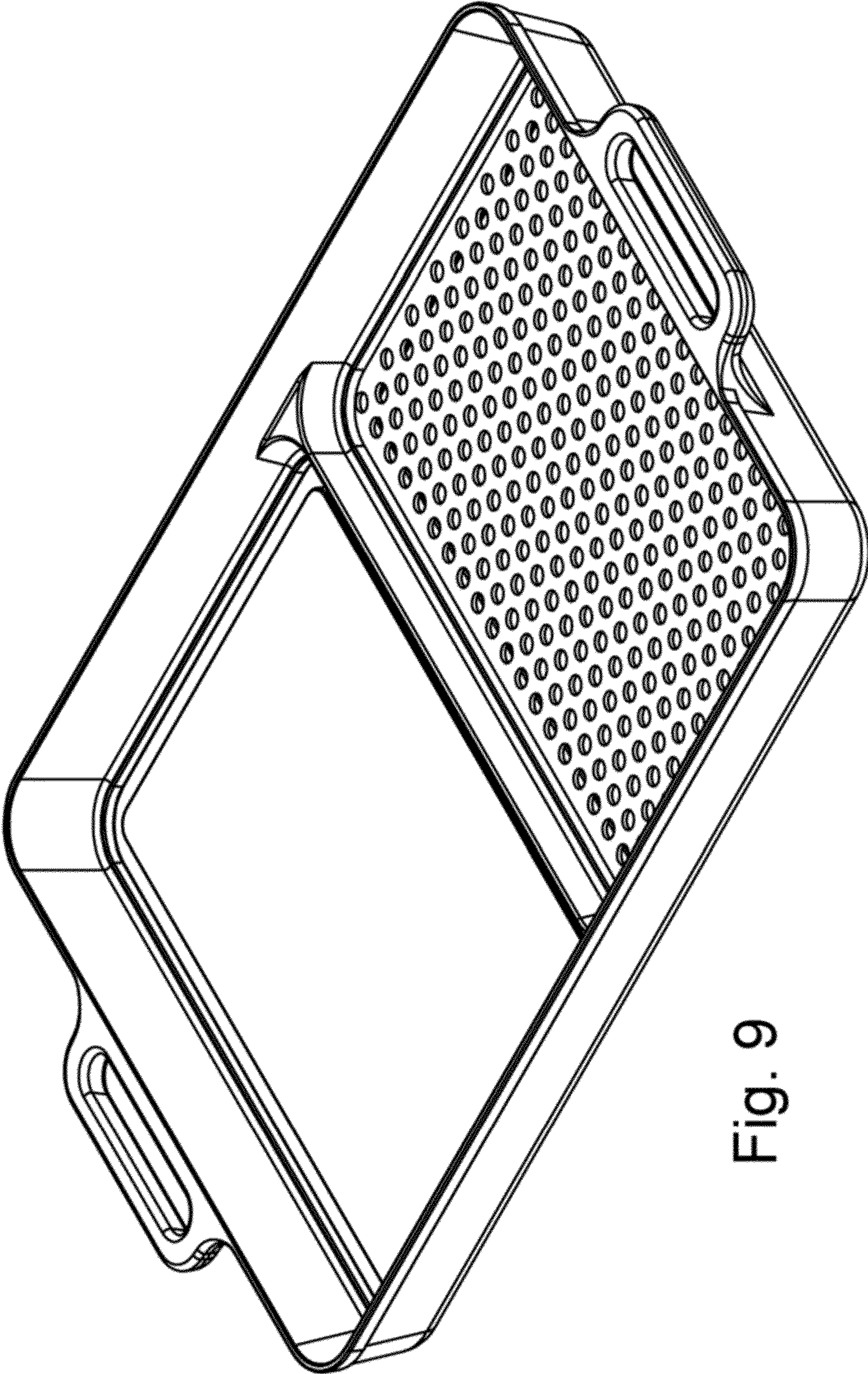


Fig. 9

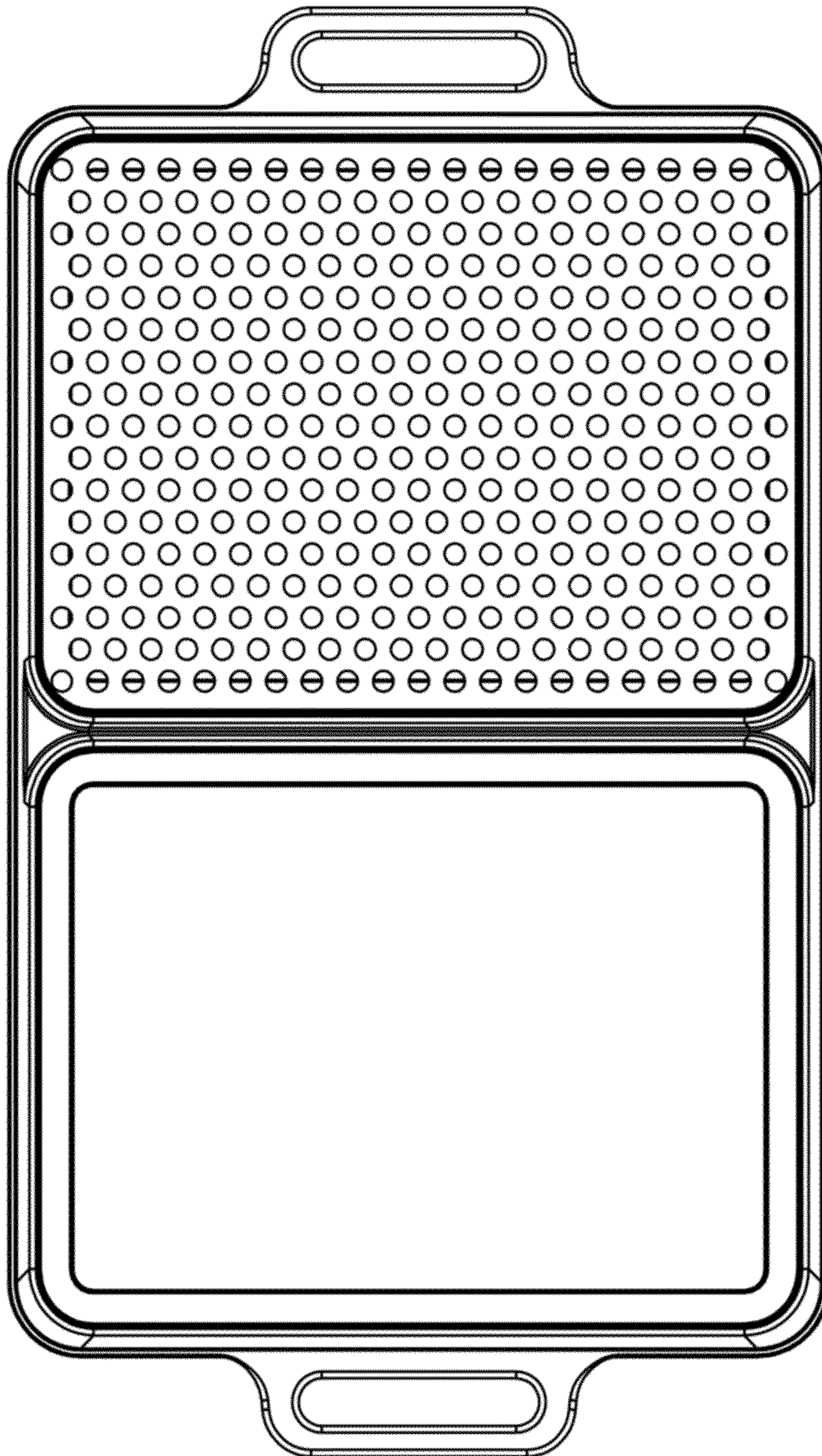


FIG. 10

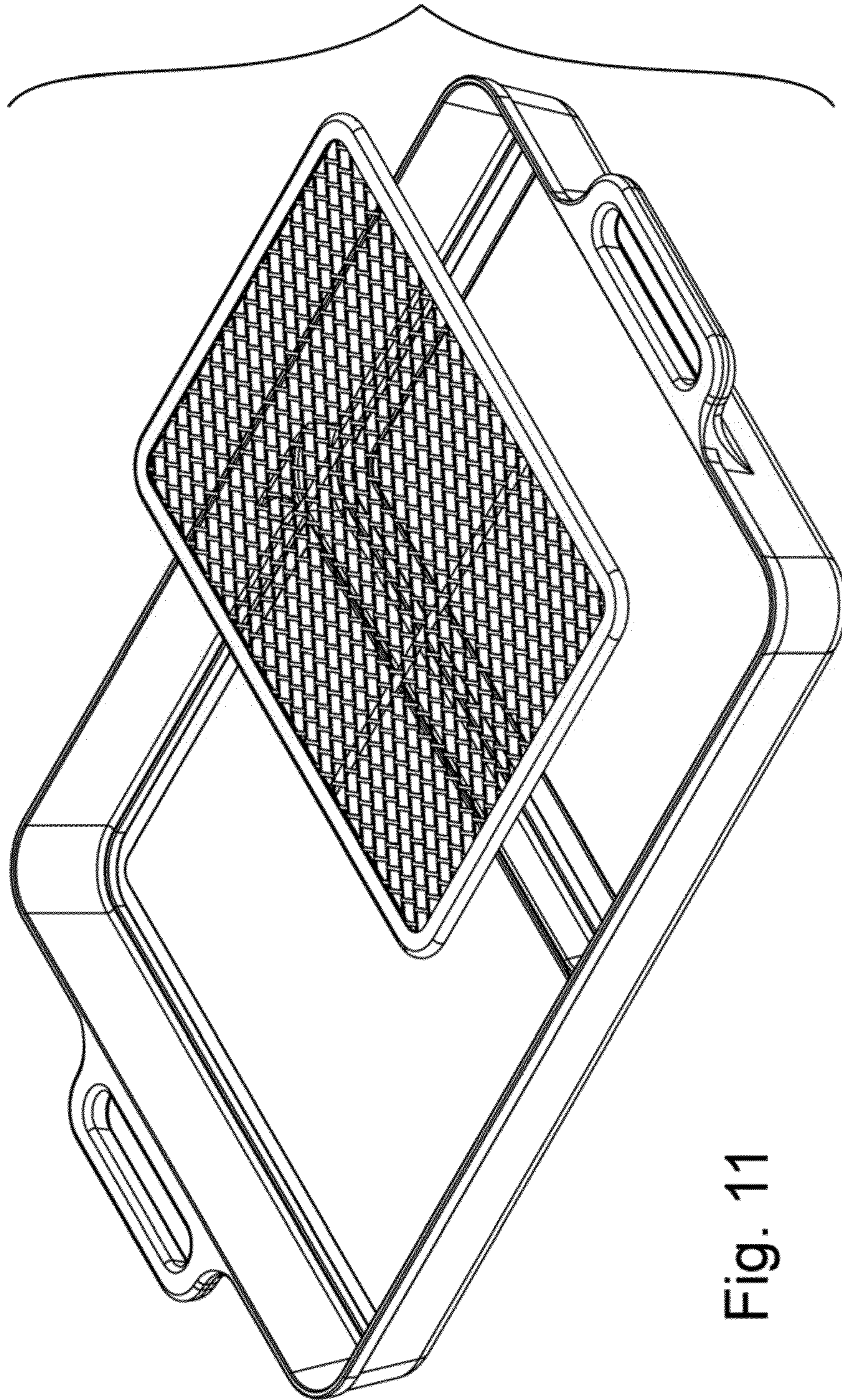


Fig. 11

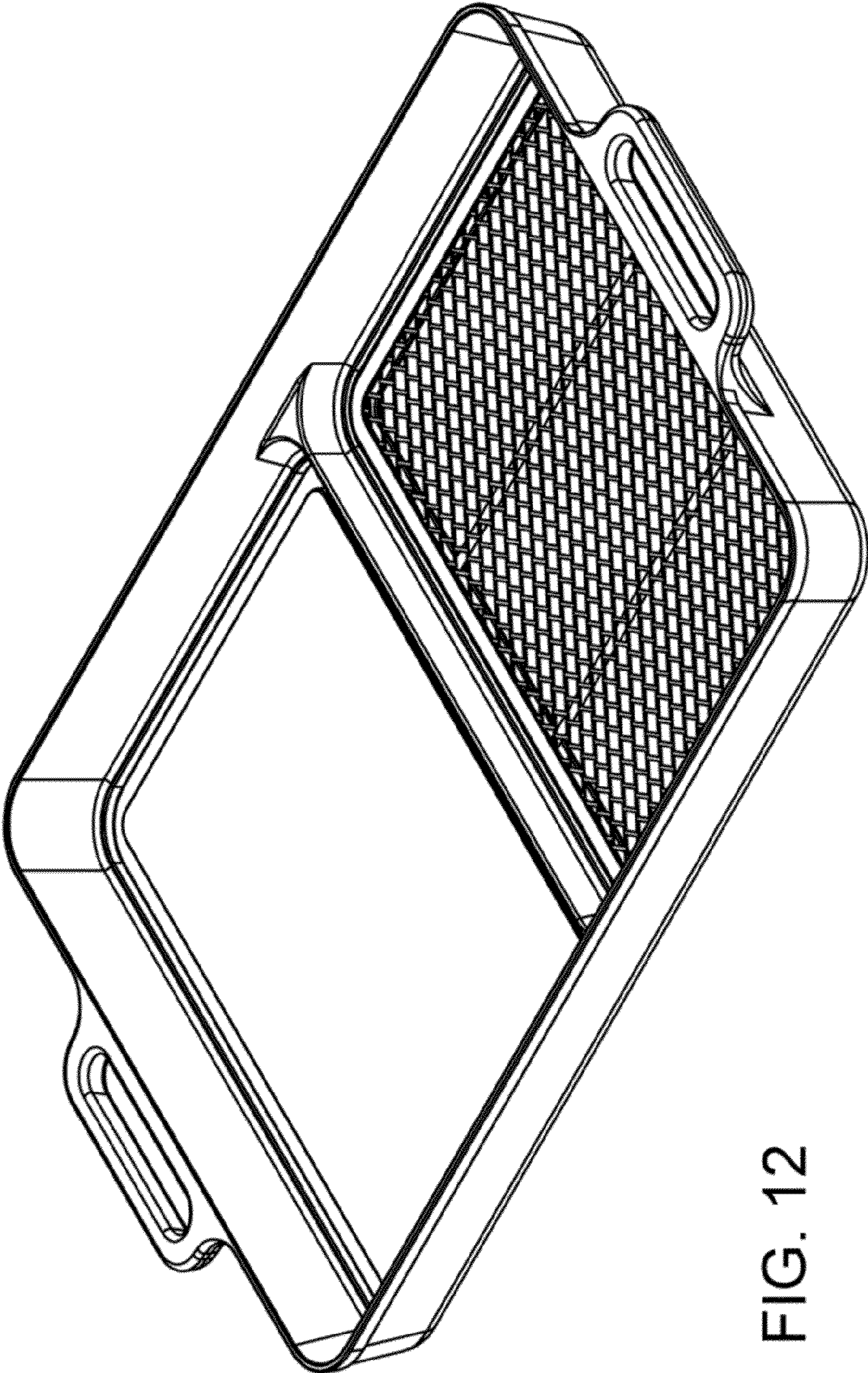


FIG. 12

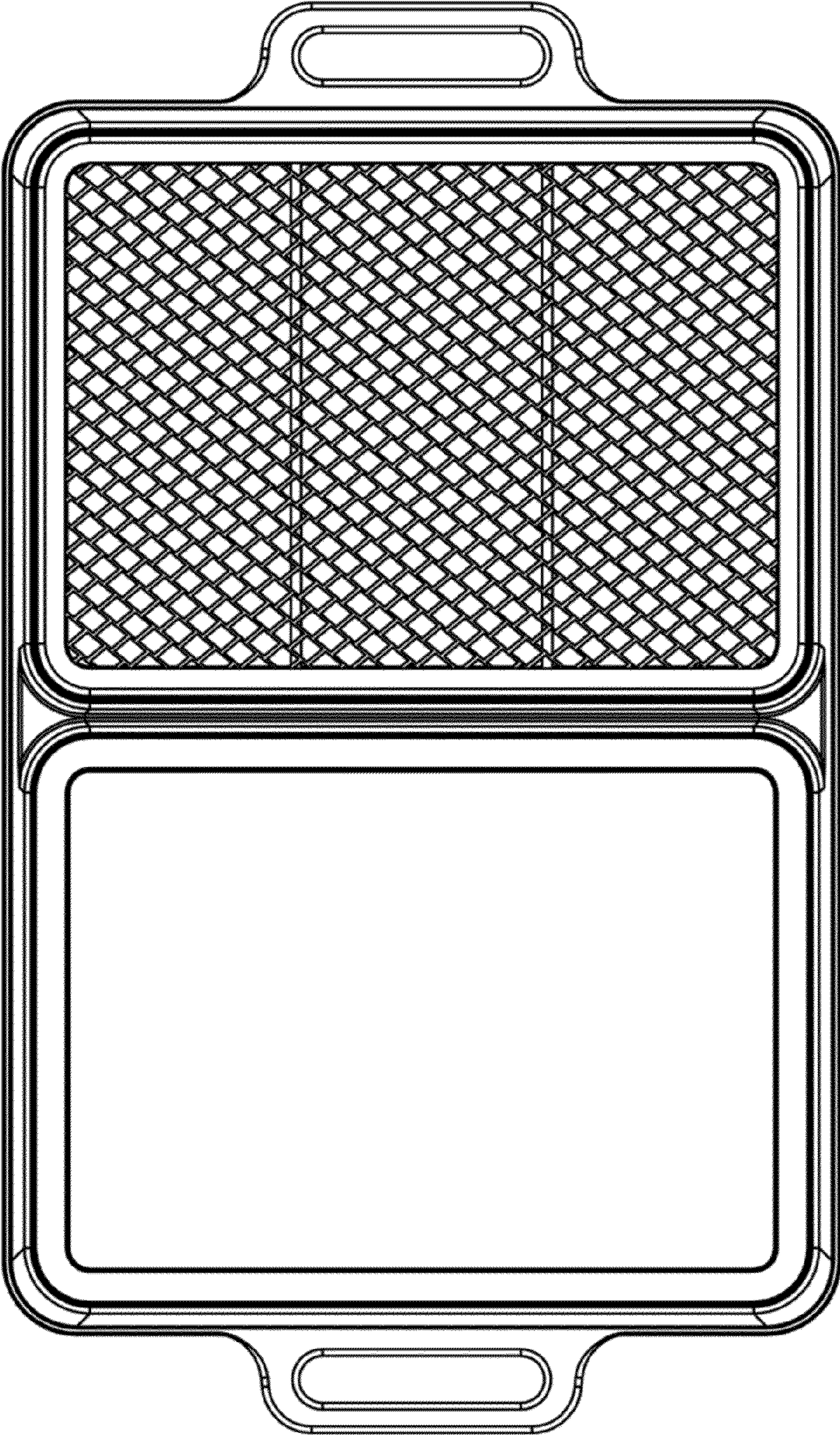


Fig. 13