



US00D709725S

(12) **United States Design Patent**
Golsch et al.

(10) **Patent No.:** **US D709,725 S**

(45) **Date of Patent:** **** Jul. 29, 2014**

(54) **GRILL**

(71) Applicants: **Jamie Golsch**, Dayton, OH (US); **Bryan Campbell**, Dayton, OH (US); **Tom Davis**, Brookville, OH (US)

(72) Inventors: **Jamie Golsch**, Dayton, OH (US); **Bryan Campbell**, Dayton, OH (US); **Tom Davis**, Brookville, OH (US)

(73) Assignee: **Sears Brands, L.L.C.**, Hoffman Estates, IL (US)

(**) Term: **14 Years**

(21) Appl. No.: **29/449,478**

(22) Filed: **Mar. 15, 2013**

(51) **LOC (10) Cl.** **07-02**

(52) **U.S. Cl.**
USPC **D7/334**

(58) **Field of Classification Search**
USPC D7/332, 334-337, 402-405, 407, 409, D7/393-394, 688; 126/29 R, 25 A, 25 B, 126/9 R, 9 B, 37 R, 38, 40, 50, 268, 276, 126/19 M, 41 R, 43-44, 15 R, 15 A, 501, 4; 99/427

See application file for complete search history.

(56) **References Cited**

U.S. PATENT DOCUMENTS

D282,519 S * 2/1986 Sustana D7/334
D284,256 S * 6/1986 Moncrief D7/334

D295,136 S * 4/1988 Cox, Jr. D7/334
D325,490 S * 4/1992 Dodgen D7/334
D411,779 S * 7/1999 Husted D7/332
D487,209 S * 3/2004 MacIntosh D7/334
D577,945 S * 10/2008 Traeger et al. D7/334
D578,820 S * 10/2008 Bauer D7/332
D581,199 S * 11/2008 Chau D7/334
D624,782 S * 10/2010 Chung D7/334
D646,121 S * 10/2011 Pickard D7/402
D655,127 S * 3/2012 Grimes D7/334
D688,512 S * 8/2013 Chung D7/334

* cited by examiner

Primary Examiner — Ruth McInroy

(74) *Attorney, Agent, or Firm* — McAndrews Held & Malloy, Ltd.

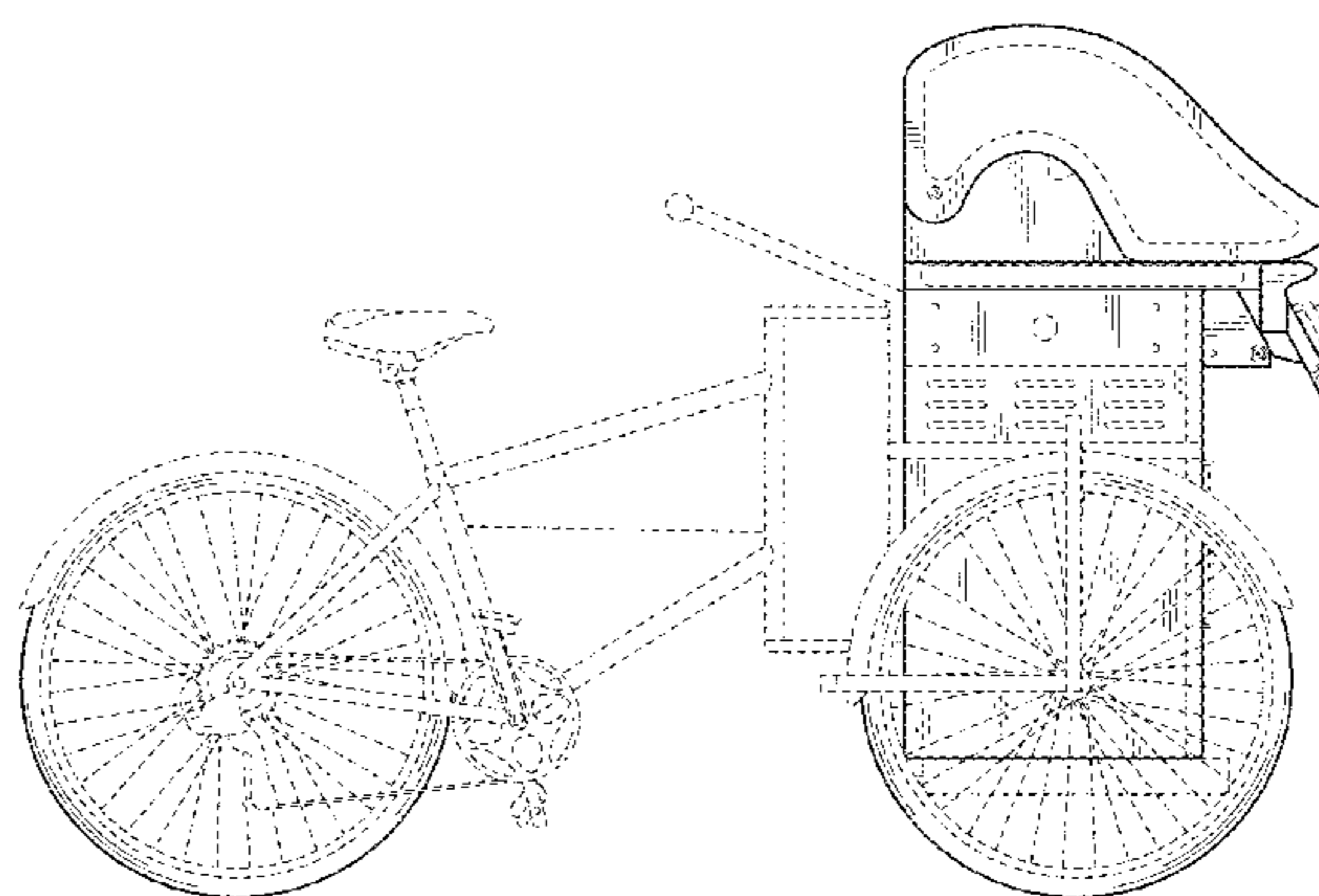
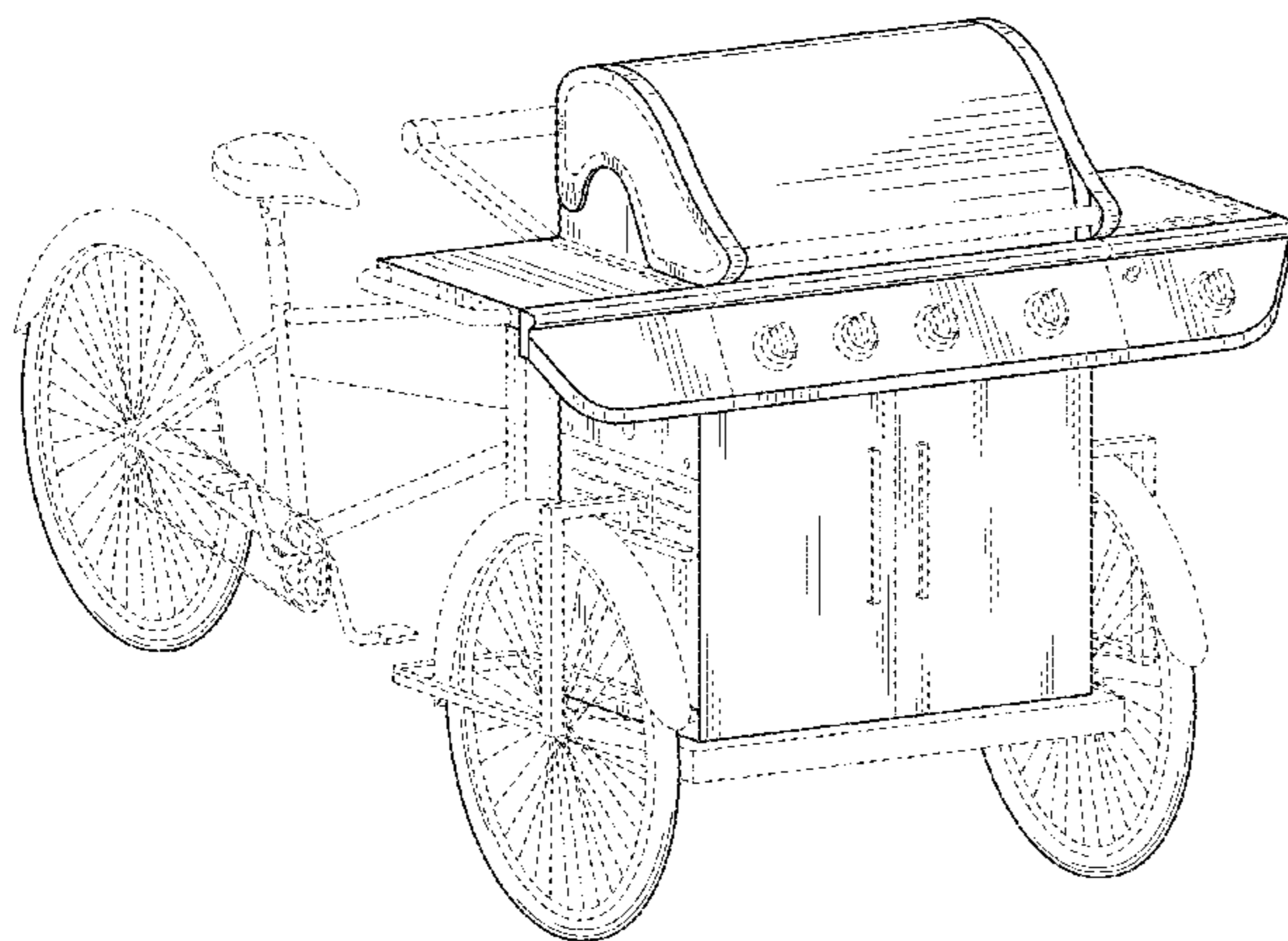
(57) **CLAIM**

The ornamental design for a grill, as shown and described.

DESCRIPTION

FIG. 1 is a front side perspective view of a grill;
FIG. 2 is a right side view thereof;
FIG. 3 is a left side view thereof;
FIG. 4 is a front side view thereof;
FIG. 5 is a back side view thereof;
FIG. 6 is a top view thereof; and,
FIG. 7 is a bottom view thereof.
The broken lines illustrate portions of the grill which form no part of the claimed design. Any views not shown in the figures form no part of the claimed design.

1 Claim, 5 Drawing Sheets



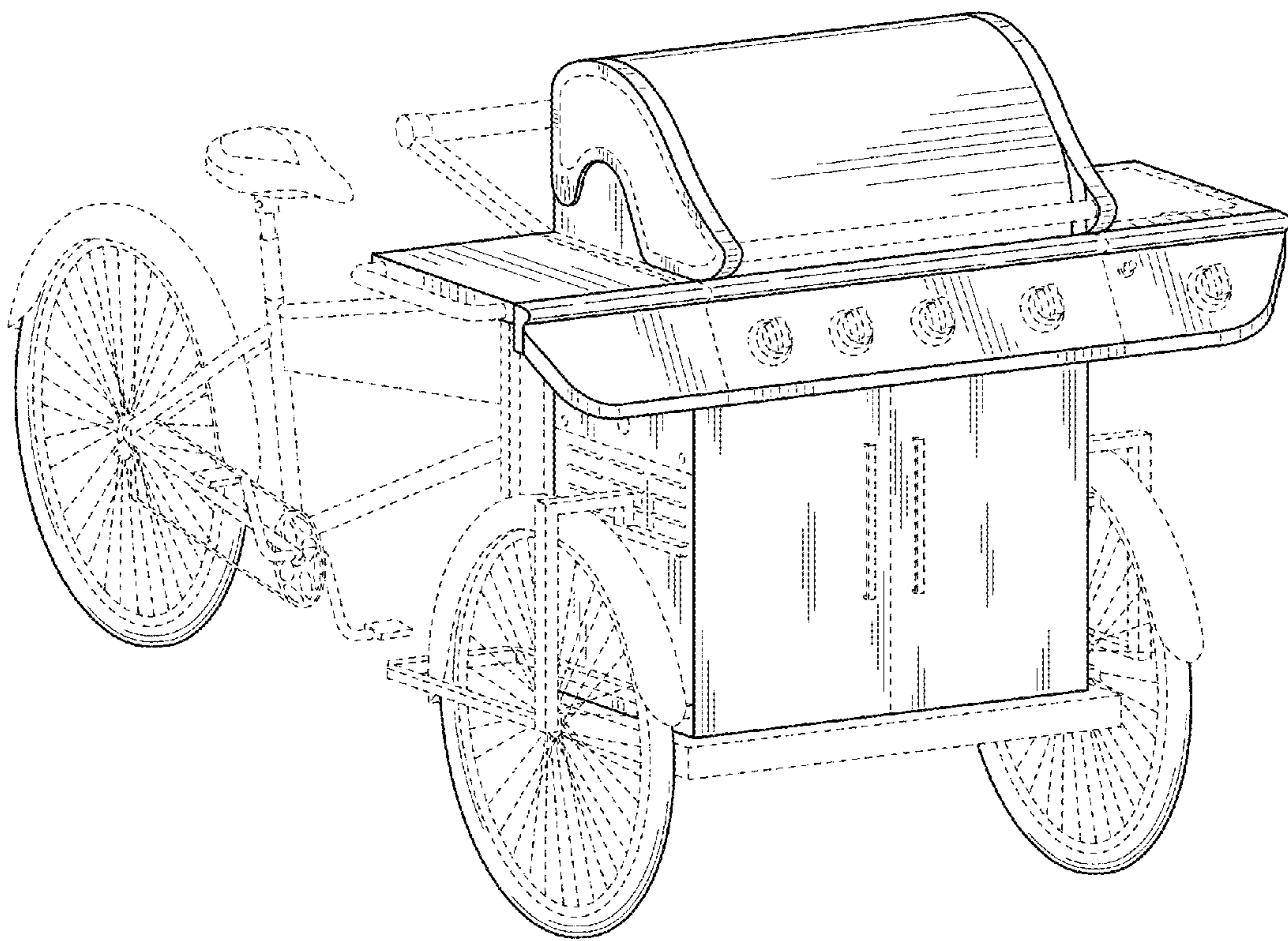


FIG. 1

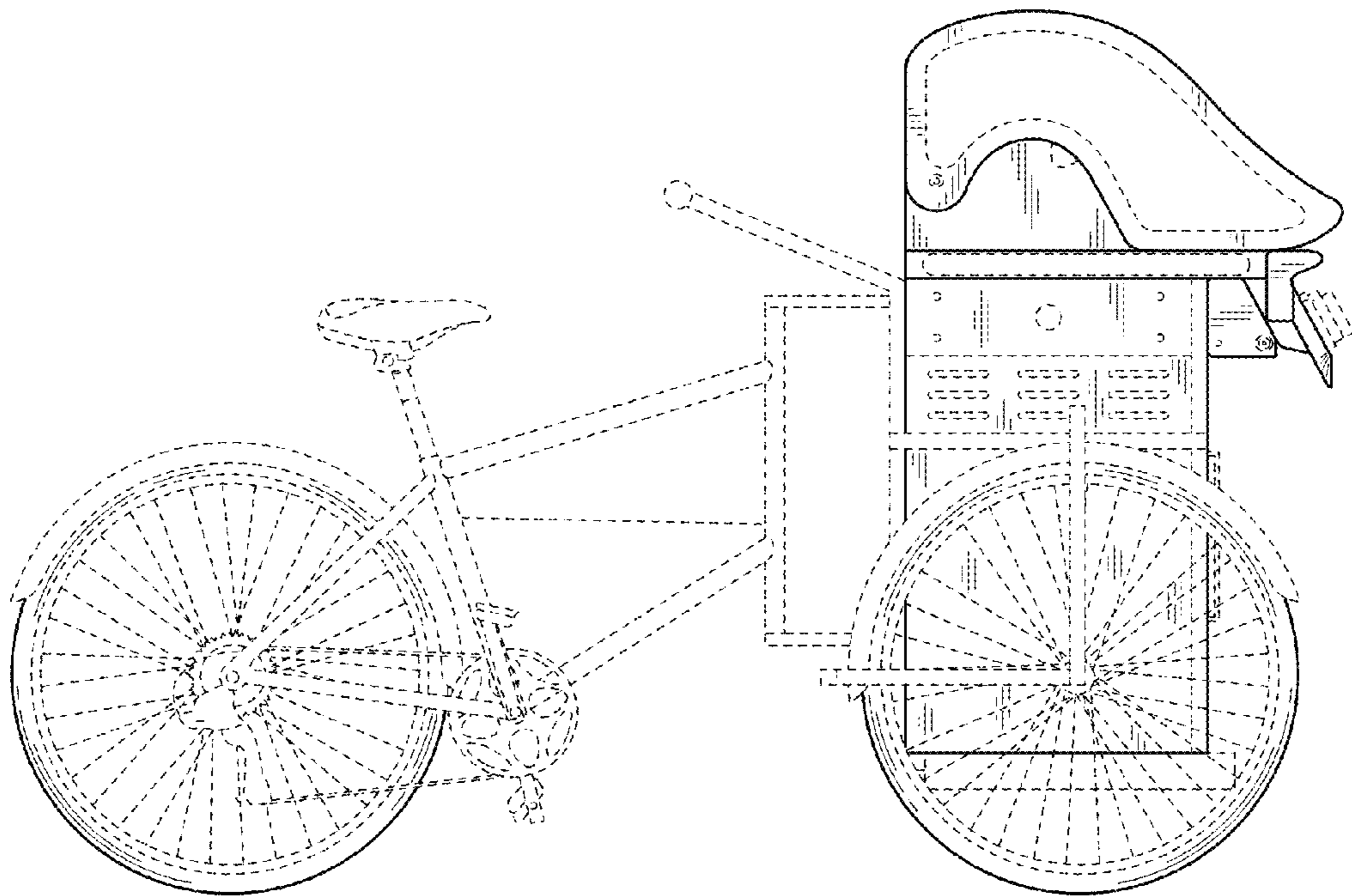


FIG. 2

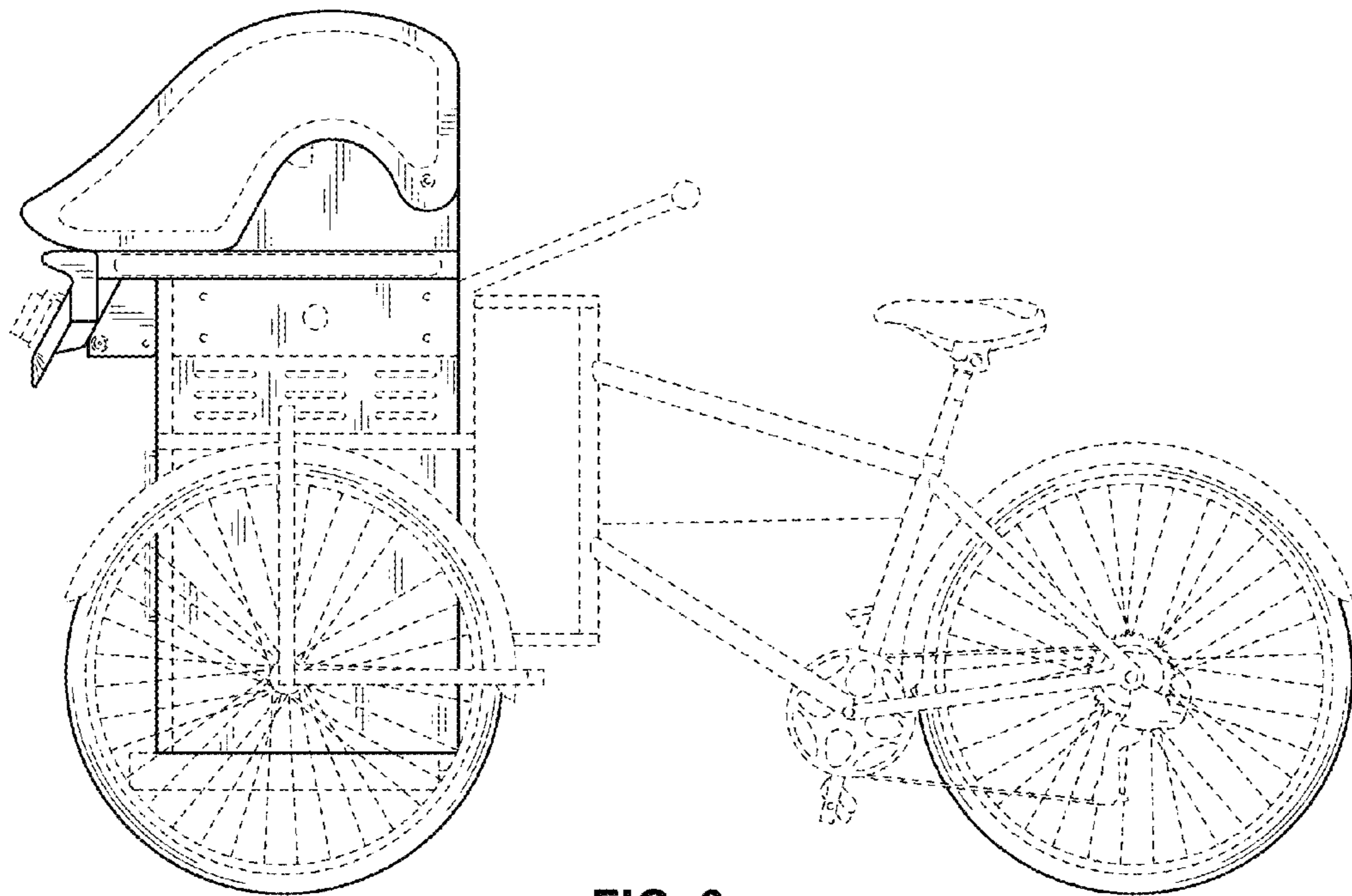


FIG. 3

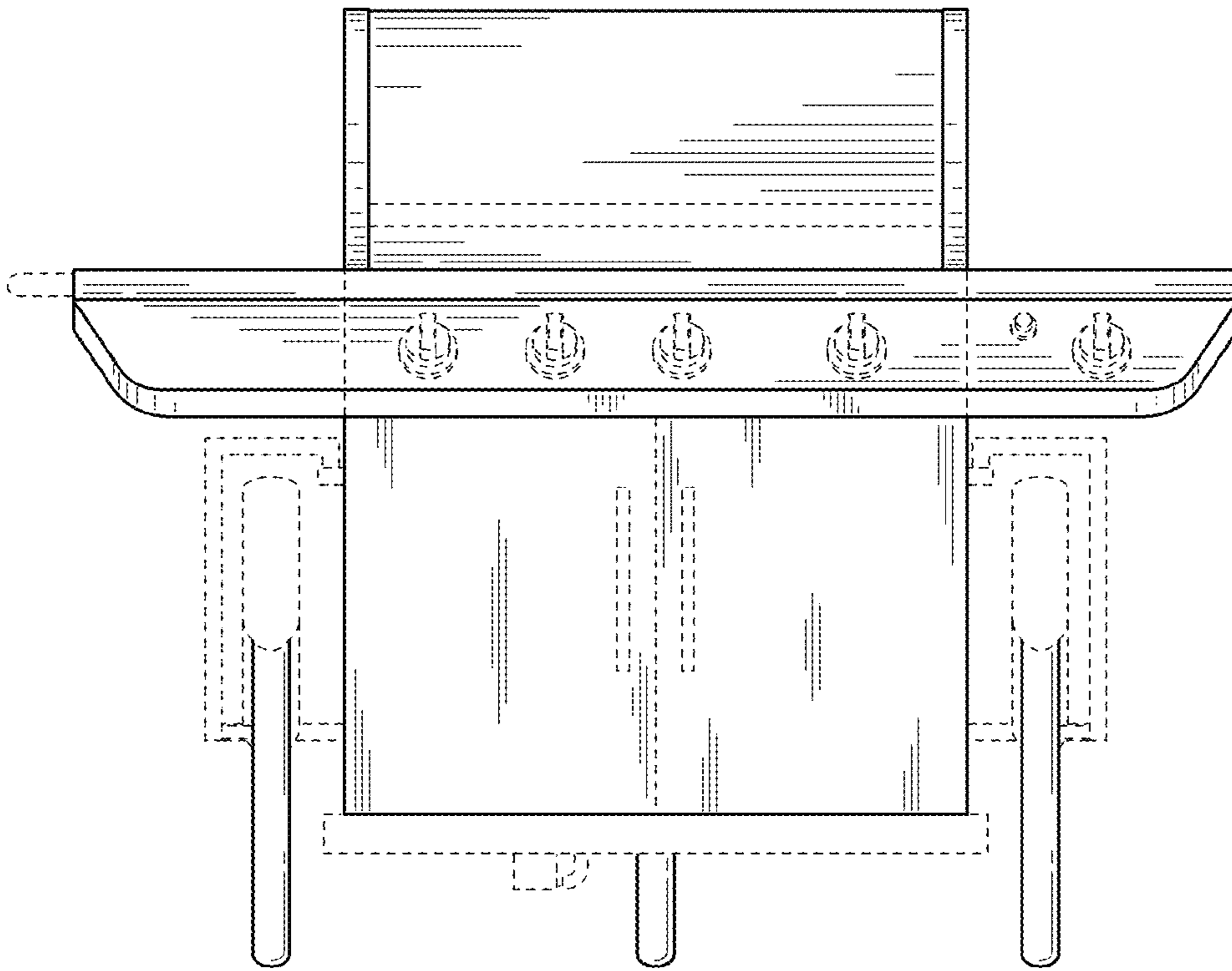


FIG. 4

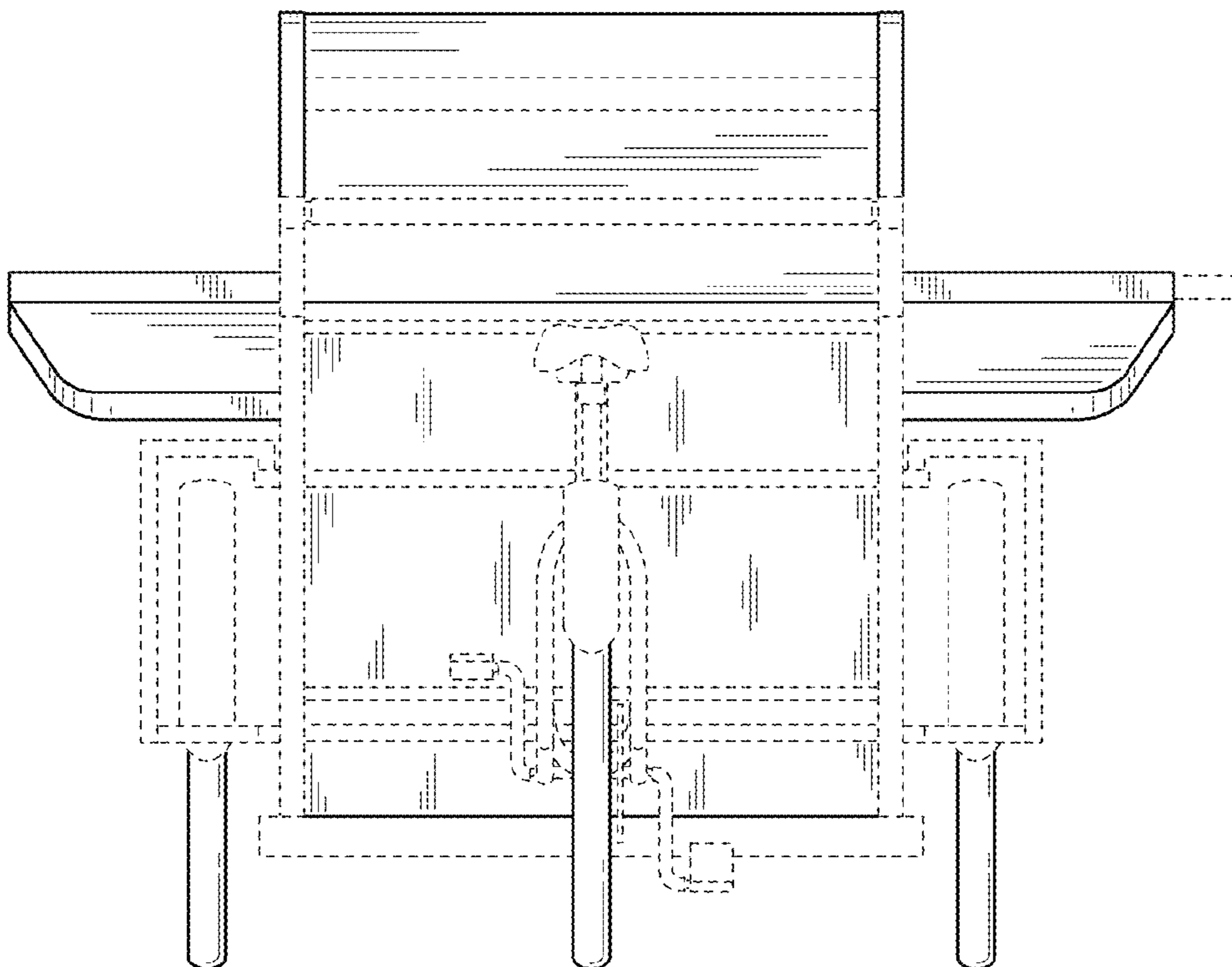


FIG. 5

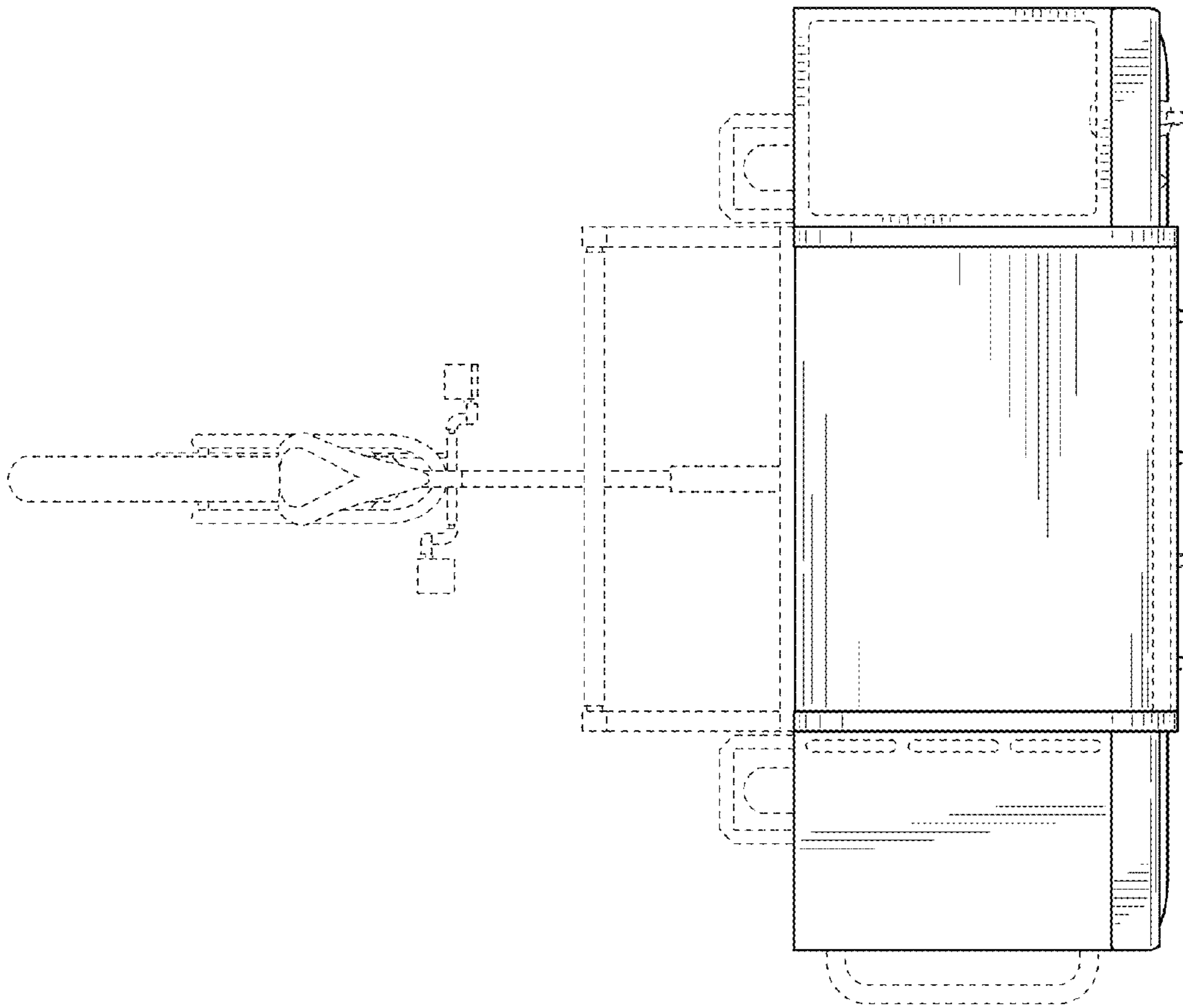


FIG. 6

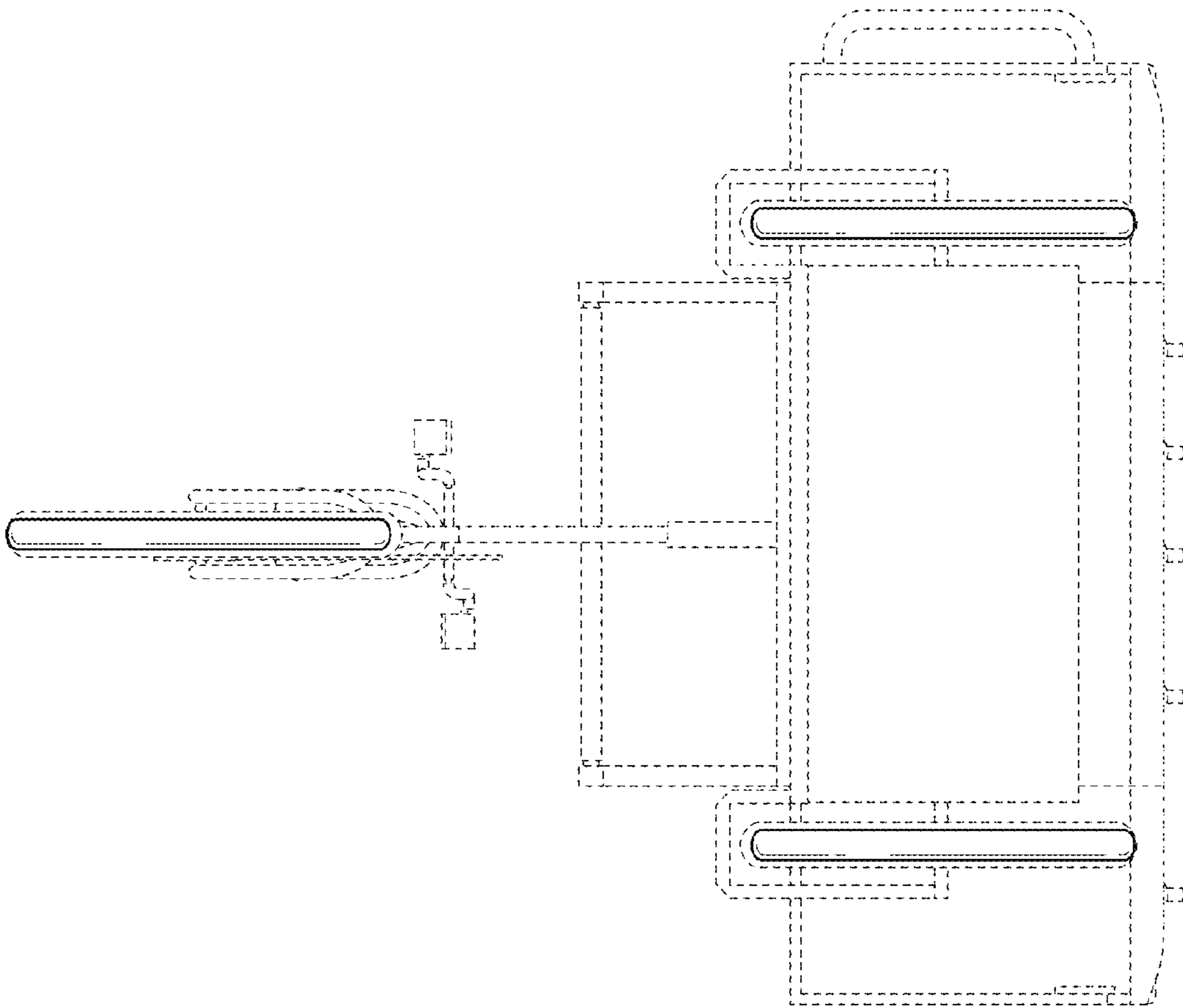


FIG. 7