



US00D709724S

(12) **United States Design Patent**  
**Mander**

(10) **Patent No.:** **US D709,724 S**  
(45) **Date of Patent:** **\*\* Jul. 29, 2014**

(54) **ELECTRIC KETTLE**  
(71) Applicant: **SEB, Selongey (FR)**  
(72) Inventor: **Paul Mander, Isle of Man (GB)**  
(73) Assignee: **SEB, Selongey (FR)**  
(\*\*) Term: **14 Years**

D463,947 S *	10/2002	Choi .....	D7/319
D475,233 S *	6/2003	De Visser .....	D7/317
D498,384 S *	11/2004	McWilliam .....	D7/319
D528,846 S *	9/2006	Tamura .....	D7/318
D562,053 S *	2/2008	Cohen .....	D7/319
D581,718 S *	12/2008	Verdun .....	D7/319
D599,161 S *	9/2009	Friel et al. ....	D7/319
D602,304 S *	10/2009	Elissen .....	D7/318
D630,882 S *	1/2011	Cohen .....	D7/318
D666,865 S *	9/2012	Spivey et al. ....	D7/319
D686,034 S *	7/2013	Bodum .....	D7/318

(21) Appl. No.: **29/439,481**  
(22) Filed: **Dec. 11, 2012**

\* cited by examiner

*Primary Examiner* — Marianne Pandozzi  
(74) *Attorney, Agent, or Firm* — Loeb & Loeb LLP

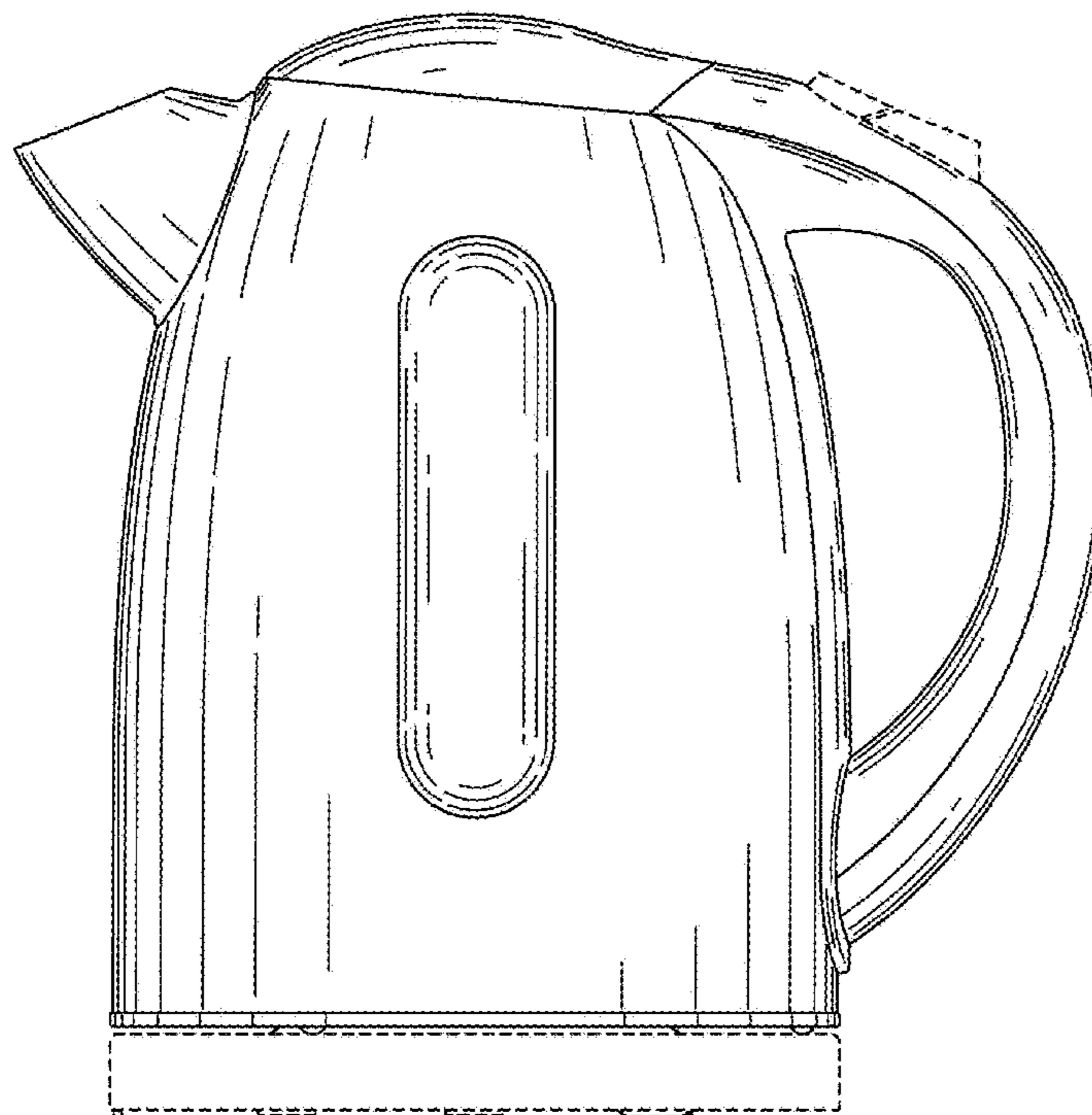
(30) **Foreign Application Priority Data**  
Jun. 12, 2012 (EM) ..... 001330575  
(51) **LOC (10) Cl.** ..... **07-01**  
(52) **U.S. Cl.**  
USPC ..... **D7/319; D7/317; D7/322**  
(58) **Field of Classification Search**  
USPC ..... D7/322, 321, 318, 319, 312, 317, 316,  
D7/300, 300.1, 598, 600; 99/297, 287;  
215/12.1, 13.1; 222/129.1, 131, 434;  
D10/46.2; 210/232, 238  
See application file for complete search history.

(57) **CLAIM**  
The ornamental design for an electric kettle, as shown and described.

(56) **References Cited**  
U.S. PATENT DOCUMENTS  
D366,388 S \* 1/1996 Alessi Anghini et al. .... D7/317  
D390,743 S \* 2/1998 Saltet .....

**DESCRIPTION**  
FIG. 1 is a perspective view of the electric kettle.  
FIG. 2 is a front view of the electric kettle of FIG. 1.  
FIG. 3 is a back view of the electric kettle of FIG. 1.  
FIG. 4 is a right side view of the electric kettle of FIG. 1.  
FIG. 5 is a left side view of the electric kettle of FIG. 1.  
FIG. 6 is a top view of the electric kettle of FIG. 1; and,  
FIG. 7 is a bottom view of the electric kettle of FIG. 1.  
The broken lines appearing in the figures are for the purpose of illustrating the structure of the article of the claimed design and form no part of the claimed design.

**1 Claim, 7 Drawing Sheets**



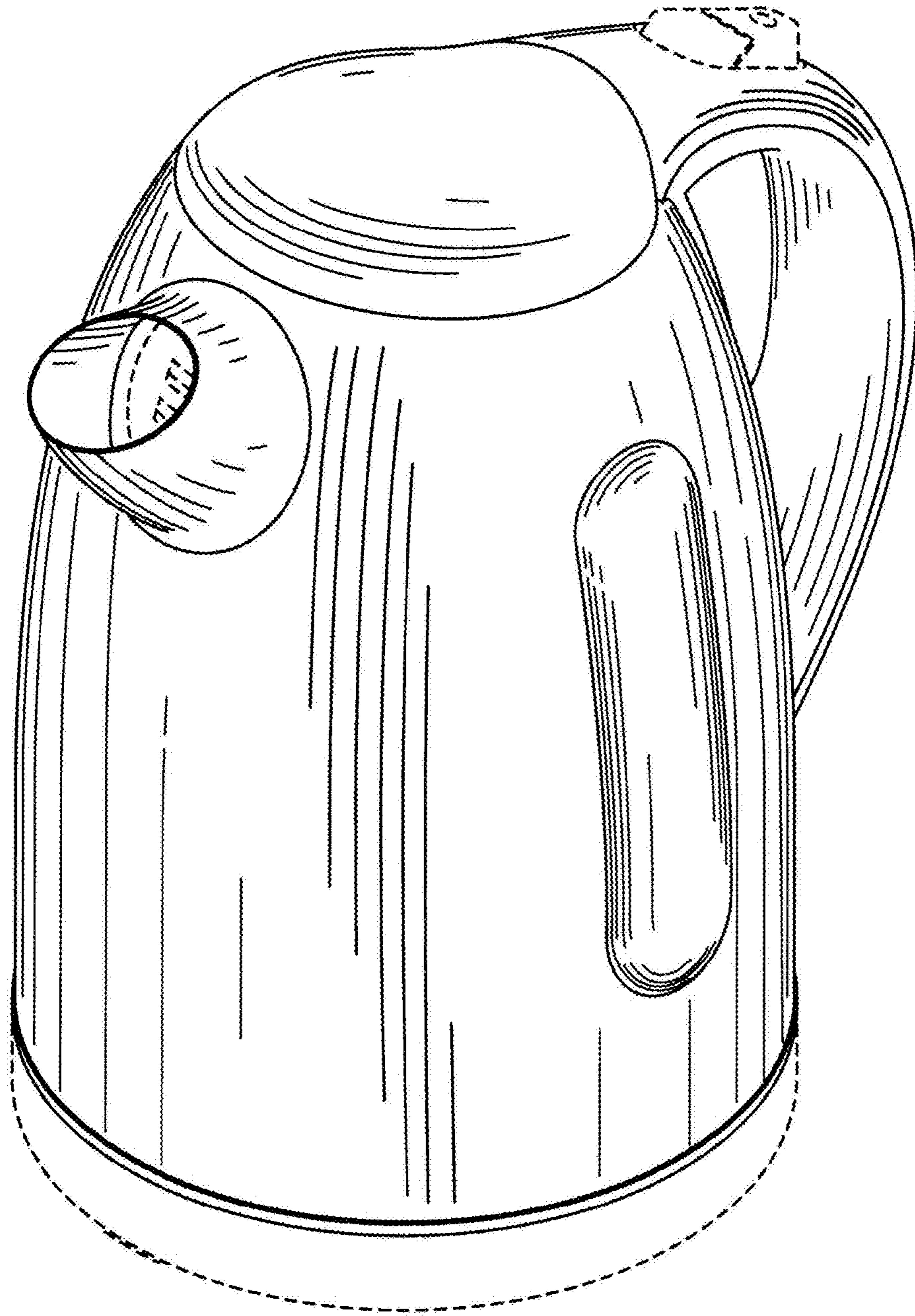


FIG. 1

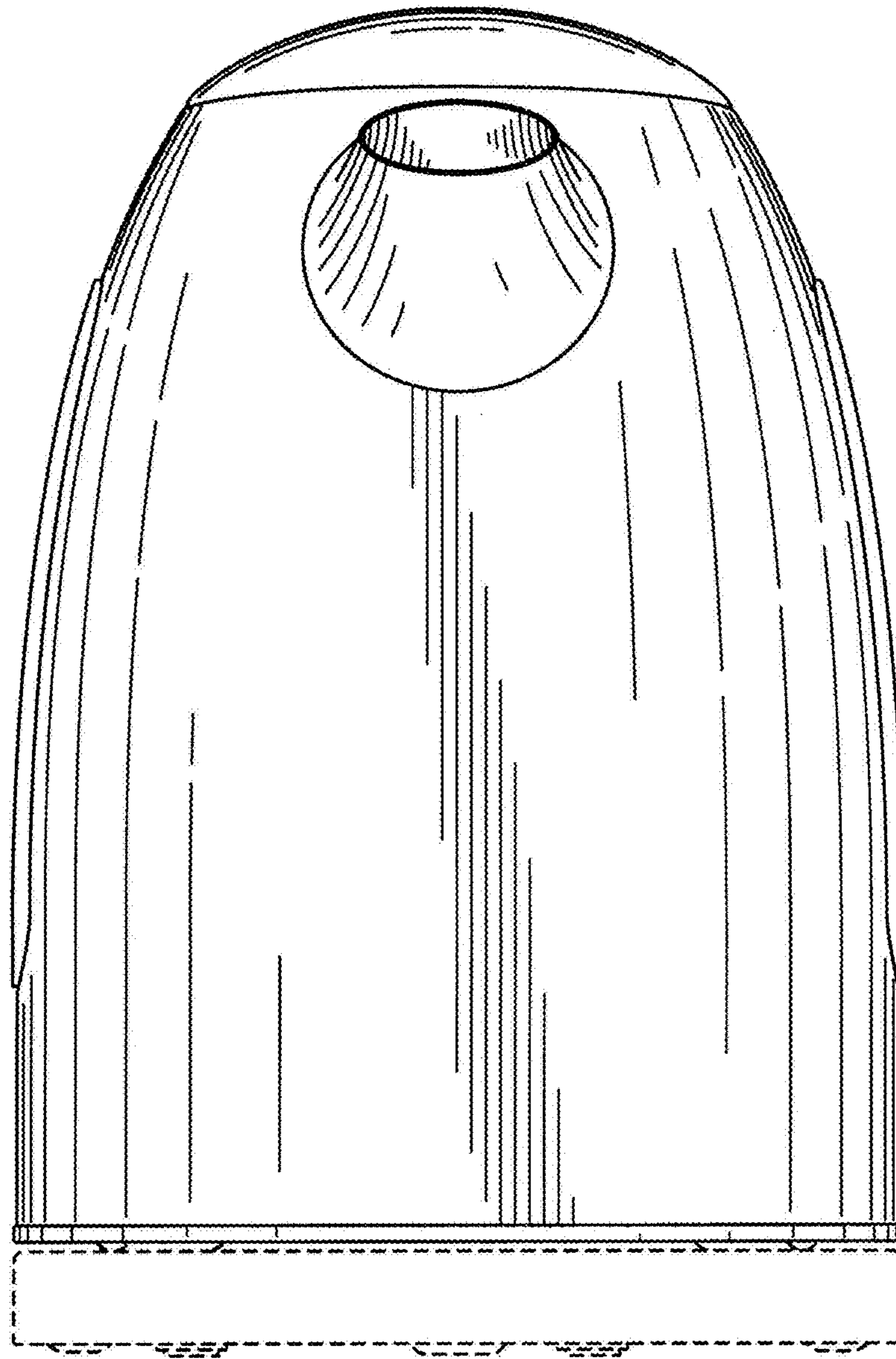


FIG. 2

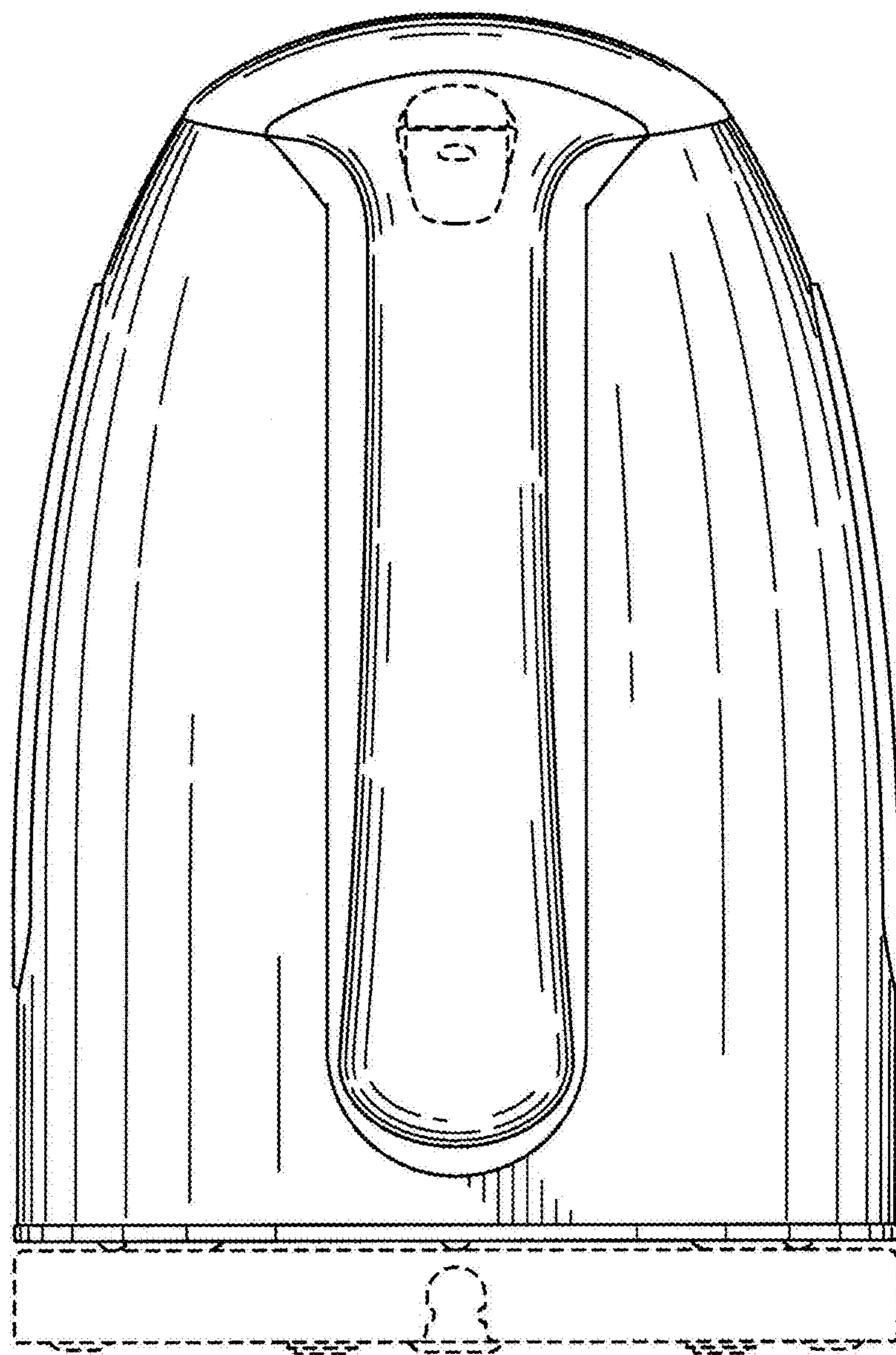


FIG. 3

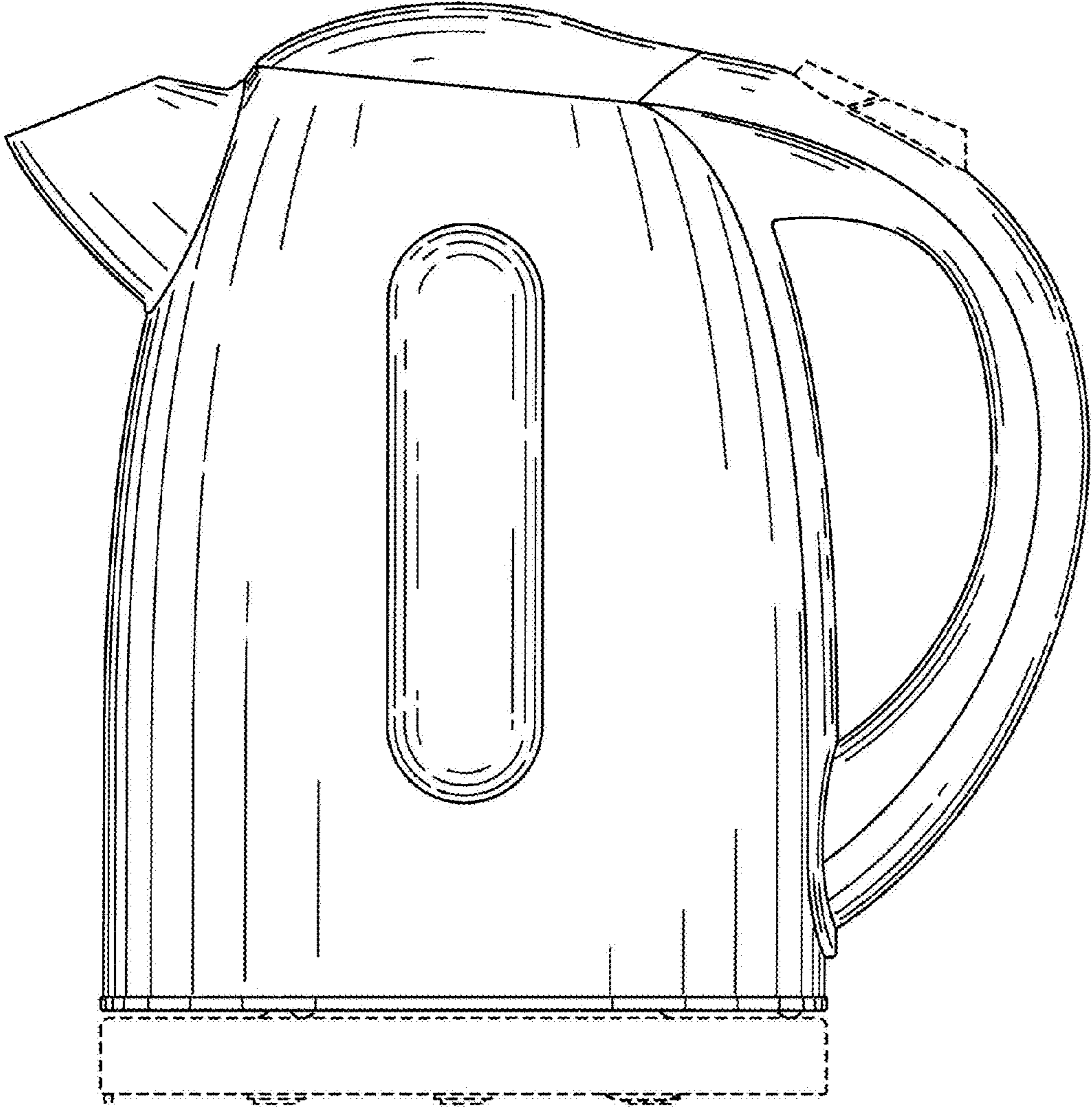


FIG. 4

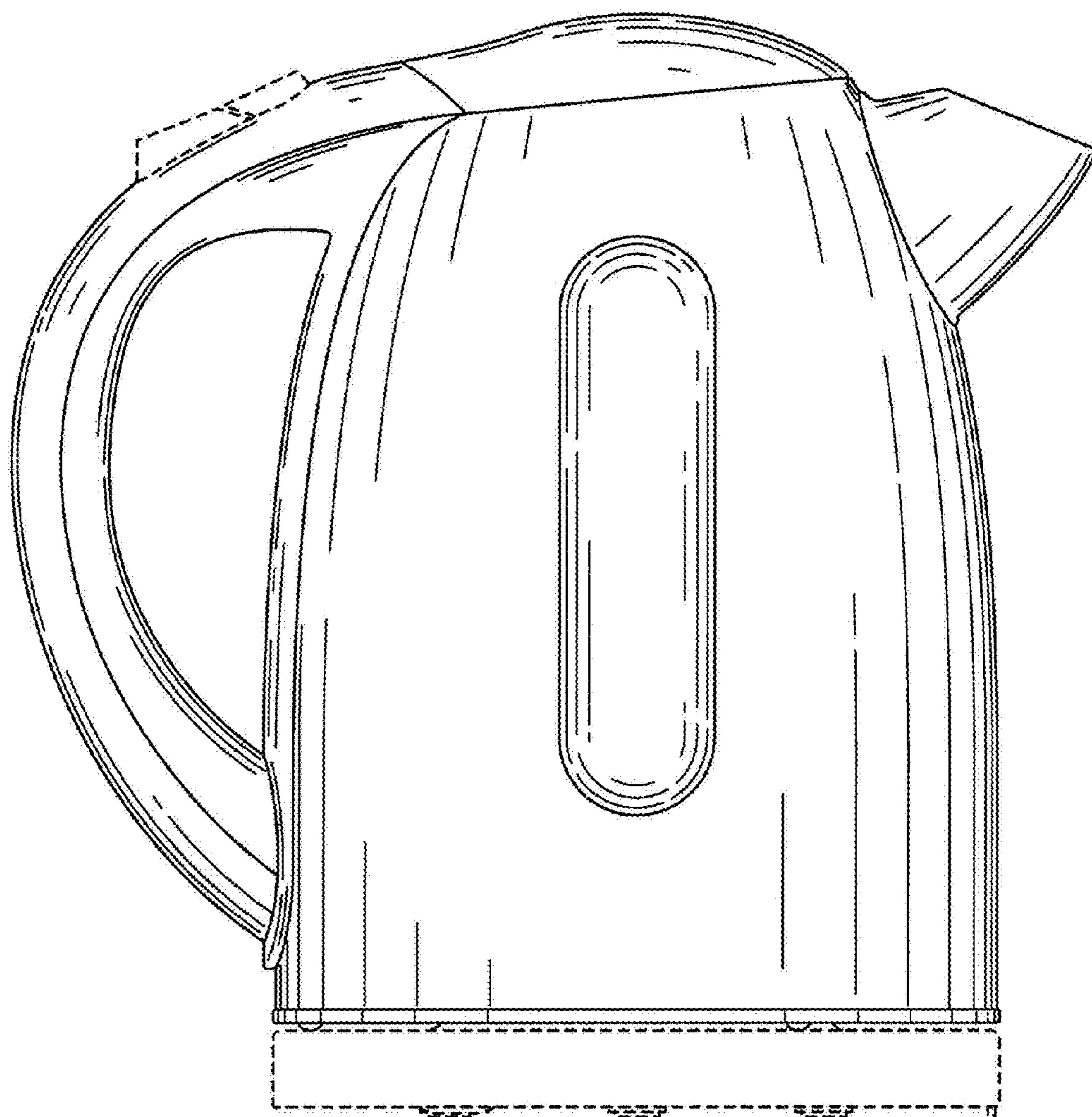


FIG. 5

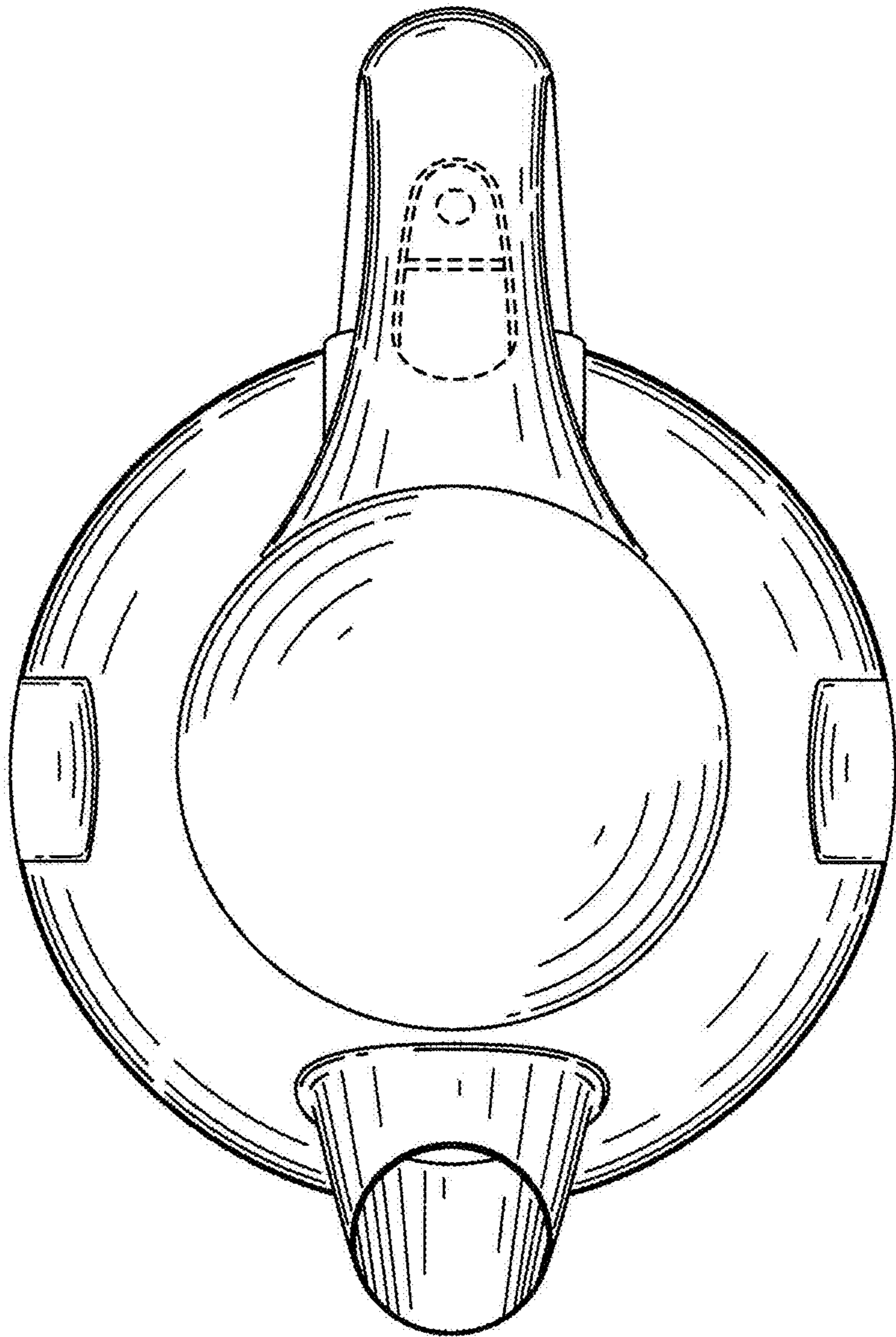


FIG. 6

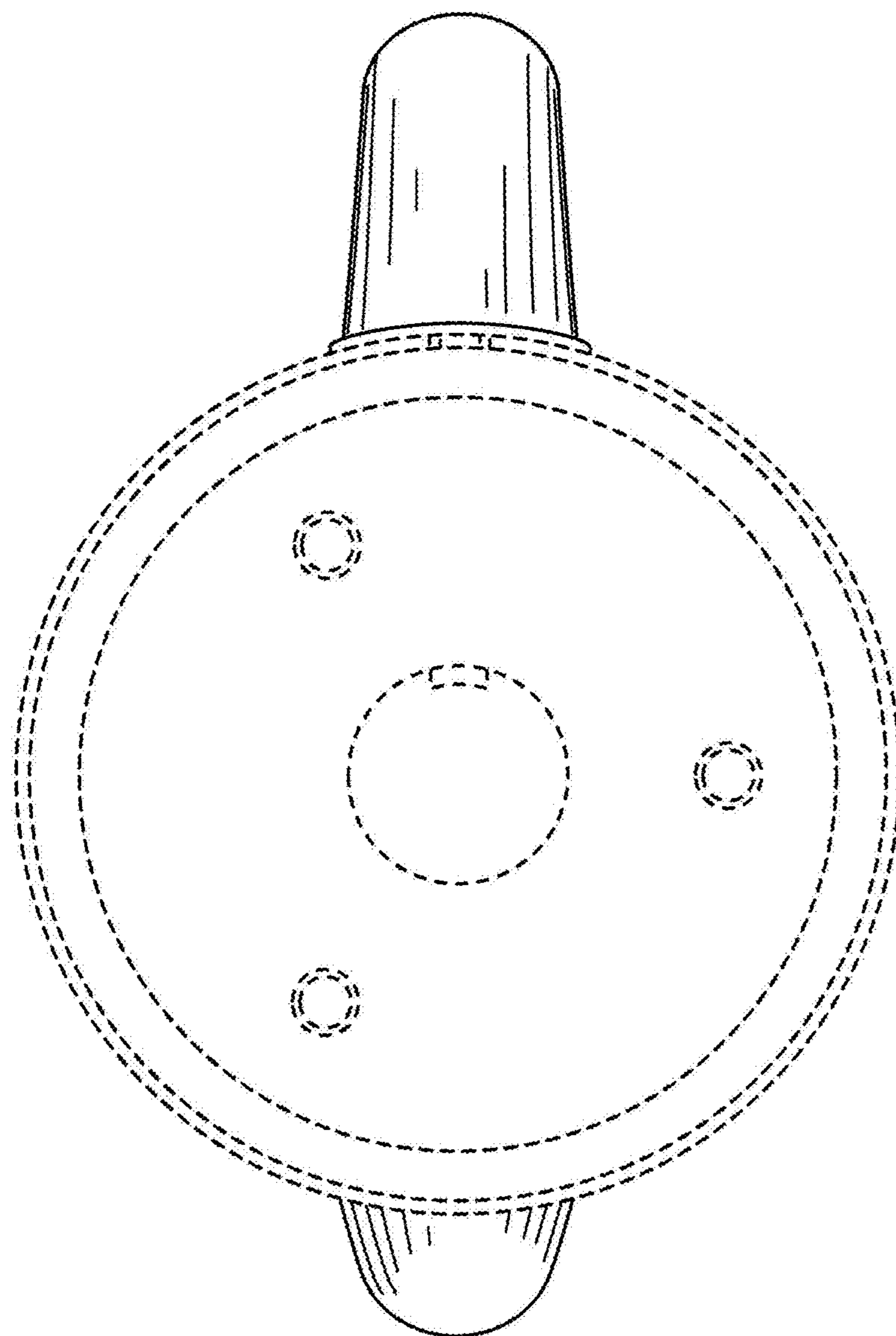


FIG. 7