



US00D709723S

(12) **United States Design Patent**
Norris et al.

(10) **Patent No.:** **US D709,723 S**
(45) **Date of Patent:** **** Jul. 29, 2014**

(54) **BEVERAGE DISPENSER**

(71) Applicants: **Joseph T. Norris**, Cumming, GA (US);
Javier Verdura, Milford, CT (US); **Jesse S. Kruska**, New Haven, CT (US); **James McCay**, Fairfield, CT (US); **Defei Zhao**, Shanghai (CN); **Michael Gamble**, Shanghai (CN)

(72) Inventors: **Joseph T. Norris**, Cumming, GA (US);
Javier Verdura, Milford, CT (US); **Jesse S. Kruska**, New Haven, CT (US); **James McCay**, Fairfield, CT (US); **Defei Zhao**, Shanghai (CN); **Michael Gamble**, Shanghai (CN)

(73) Assignee: **The Coca-Cola Company**, Atlanta, GA (US)

(**) Term: **14 Years**

(21) Appl. No.: **29/444,699**

(22) Filed: **Feb. 1, 2013**

(51) **LOC (10) Cl.** **07-01**

(52) **U.S. Cl.**
USPC **D7/308**; D7/307; D7/311

(58) **Field of Classification Search**
USPC D7/306-311, 300, 313; 222/129.1, 222/146.6, 185.1, 105; 99/319, 308, 307, 99/281, 288; D6/512, 680; D20/1; D23/209

See application file for complete search history.

(56) **References Cited**

U.S. PATENT DOCUMENTS

D215,045 S * 8/1969 Benjamin D7/311
D233,271 S * 10/1974 Holcomb D7/308
D250,536 S * 12/1978 Bourke D7/308
D272,975 S * 3/1984 Miller D7/309
D274,779 S * 7/1984 LaLumiere D7/311

D335,062 S * 4/1993 Kolada et al. D7/308
D359,874 S * 7/1995 Smith et al. D7/311
D365,960 S * 1/1996 Barish D7/308
5,938,078 A * 8/1999 Dorsey et al. 222/105
D453,088 S * 1/2002 Bell et al. D7/307
D510,675 S * 10/2005 Ball D7/306
D553,416 S * 10/2007 Lin D7/309
D581,716 S * 12/2008 Harris, III D7/307
D649,393 S * 11/2011 Cohlma et al. D7/308
D699,501 S * 2/2014 Arora et al. D7/307

* cited by examiner

Primary Examiner — Marianne Pandozzi

(74) *Attorney, Agent, or Firm* — McAndrews Held & Malloy, Ltd.

(57) **CLAIM**

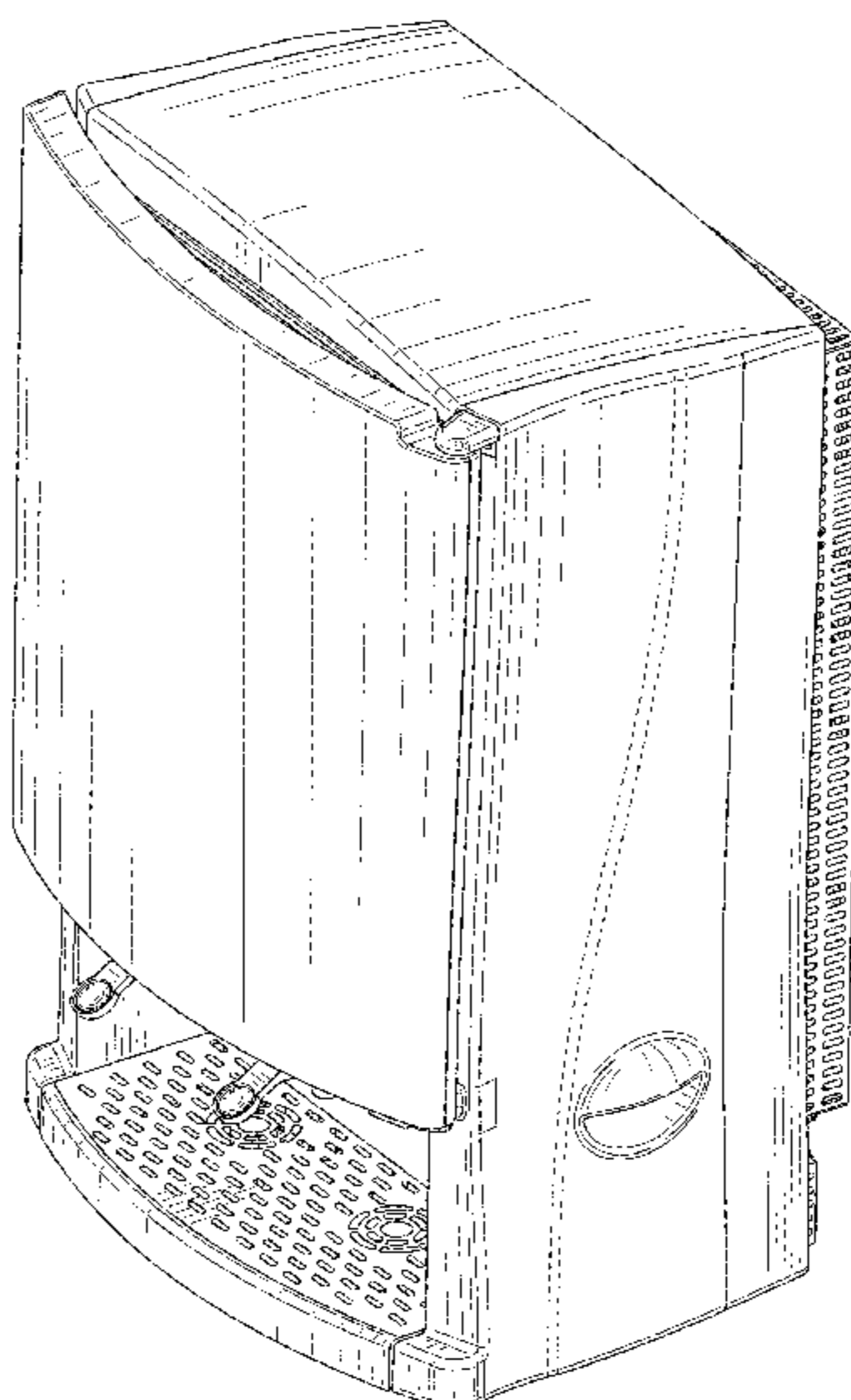
The ornamental design for a beverage dispenser, as shown and described.

DESCRIPTION

FIG. 1 is a front right top perspective view of a beverage dispenser showing our new design; FIG. 2 is a front elevation view thereof; FIG. 3 is a rear elevation view thereof; FIG. 4 is a right-side elevation view thereof; FIG. 5 is a left-side elevation view thereof; FIG. 6 is a top plan view thereof; FIG. 7 is a bottom plan view thereof; FIG. 8 is a front right top perspective view of a beverage dispenser showing a second embodiment of our new design; FIG. 9 is a front elevation view thereof; FIG. 10 is a rear elevation view thereof; FIG. 11 is a right-side elevation view thereof; FIG. 12 is a left-side elevation view thereof; FIG. 13 is a top plan view thereof; and, FIG. 14 is a bottom plan view thereof.

The broken lines are directed to environment and are for illustrative purposes only. The broken lines form no part of the claimed design.

1 Claim, 12 Drawing Sheets



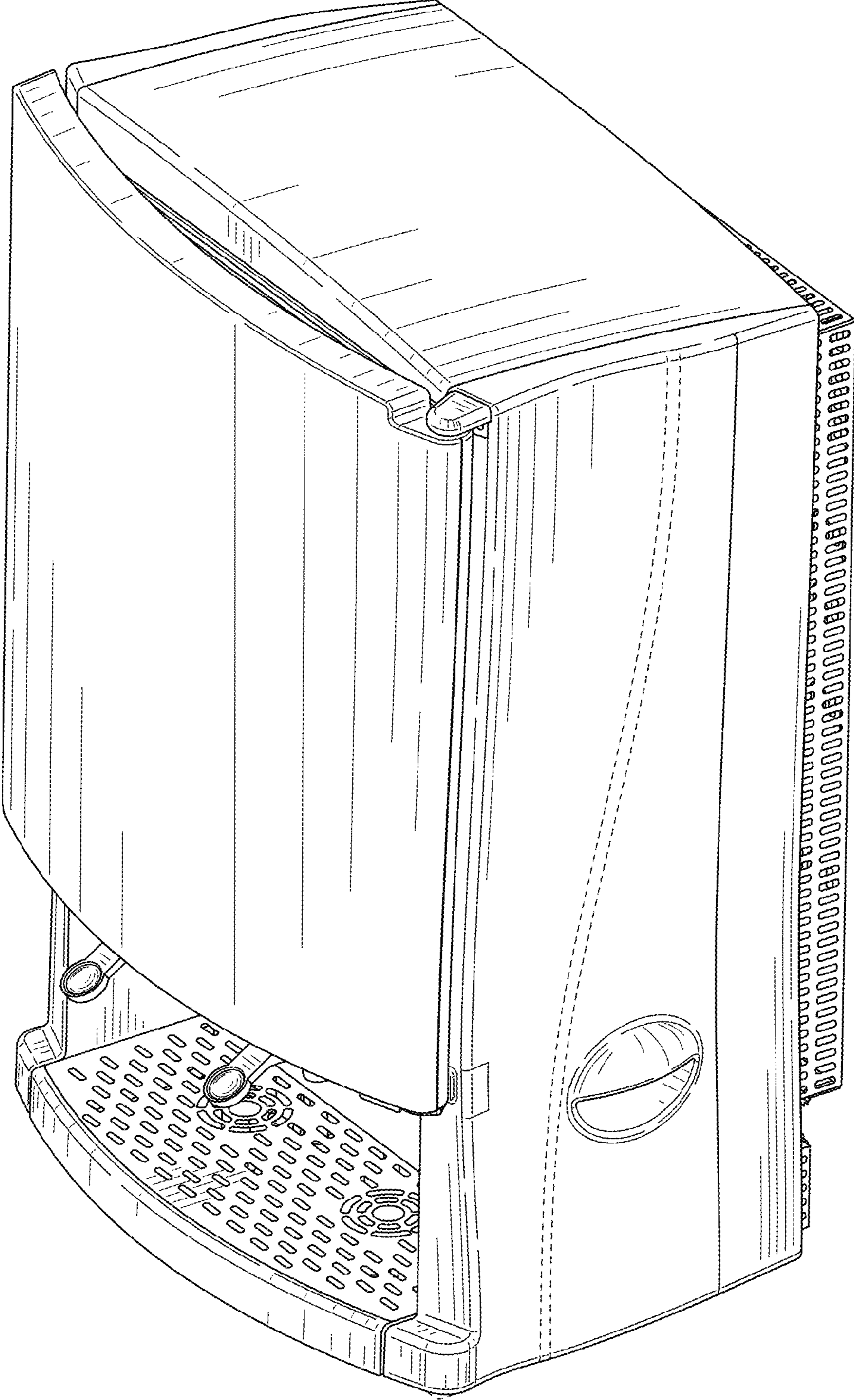


FIG. 1

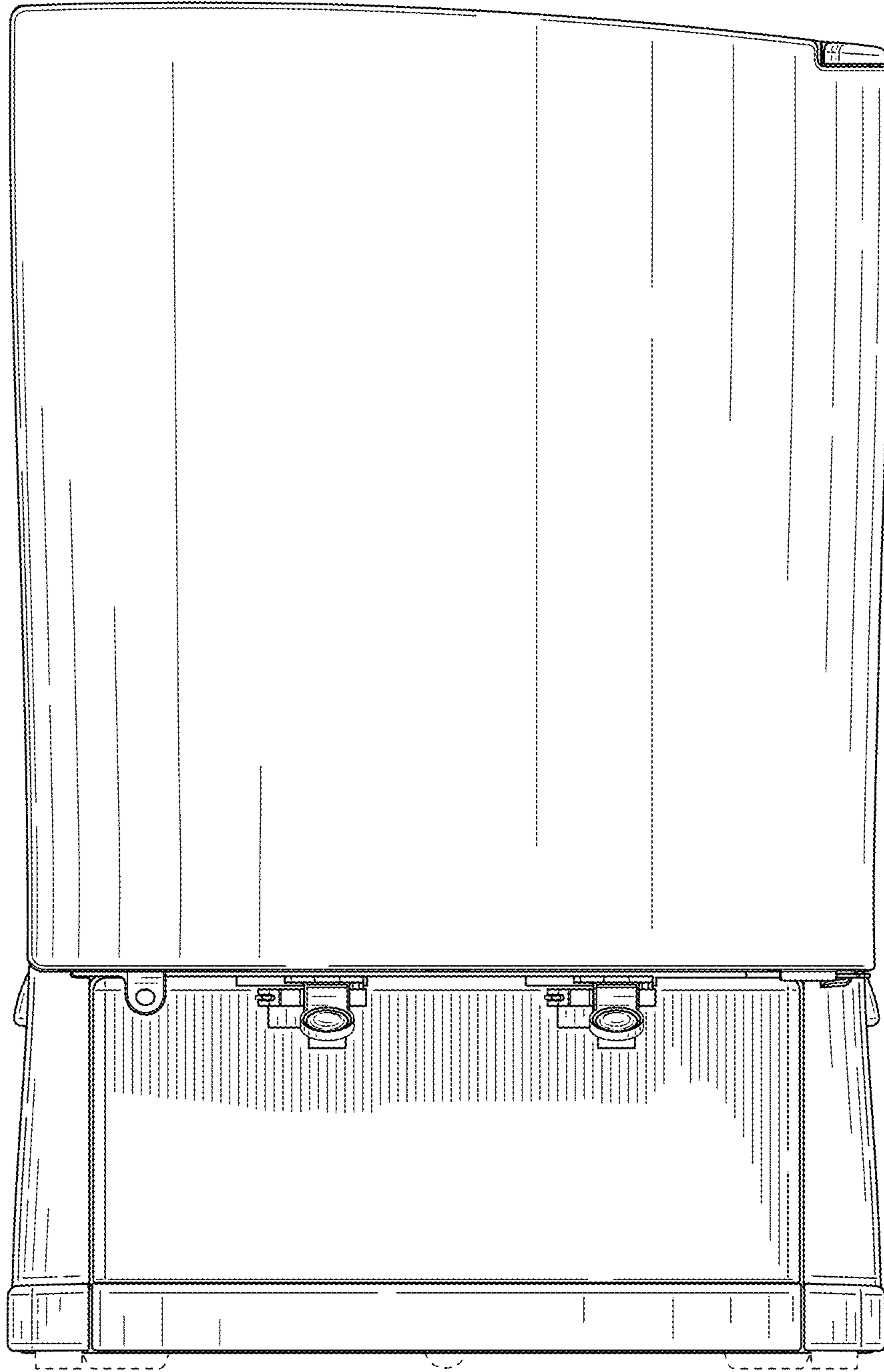


FIG. 2

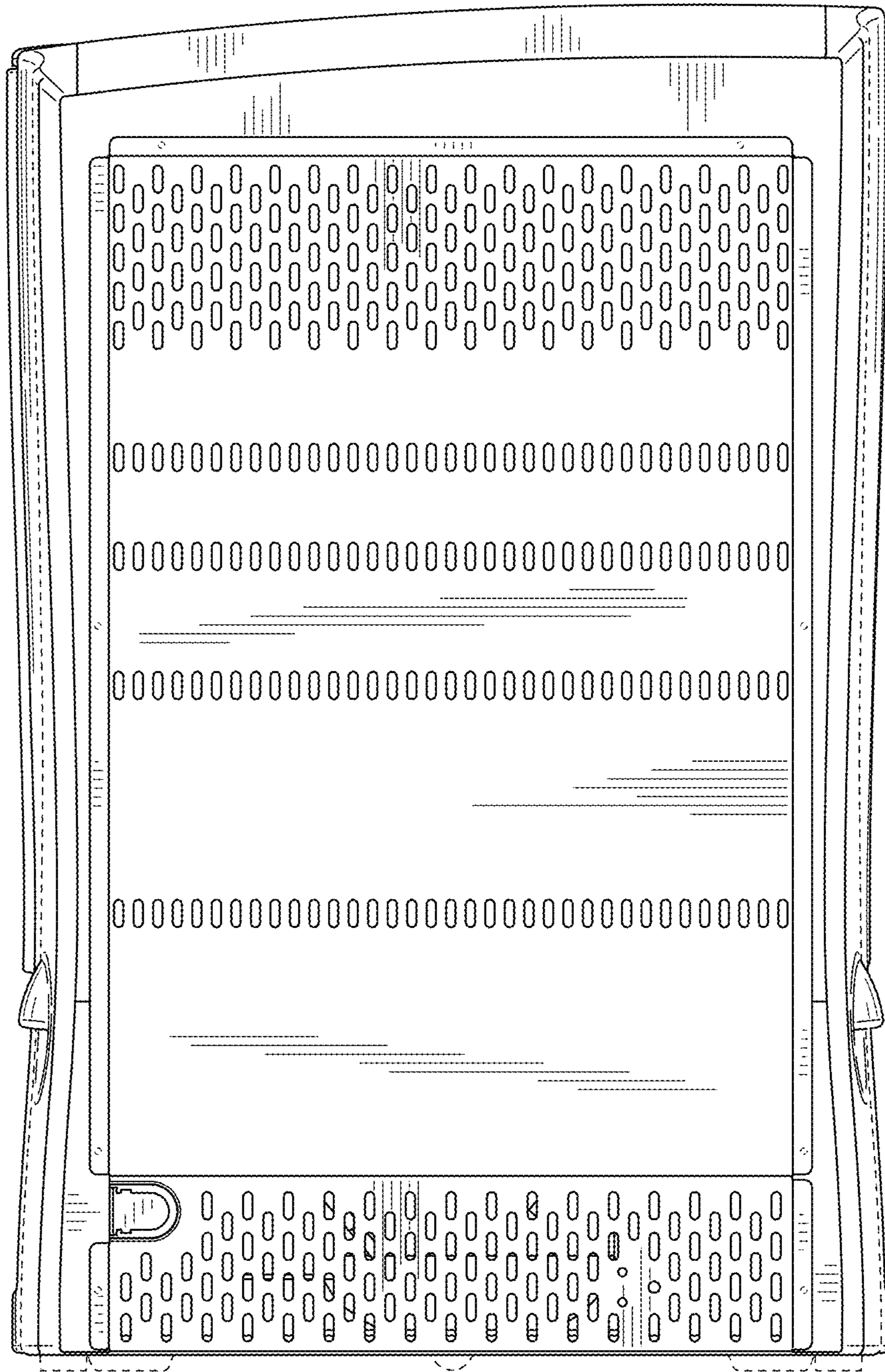


FIG. 3

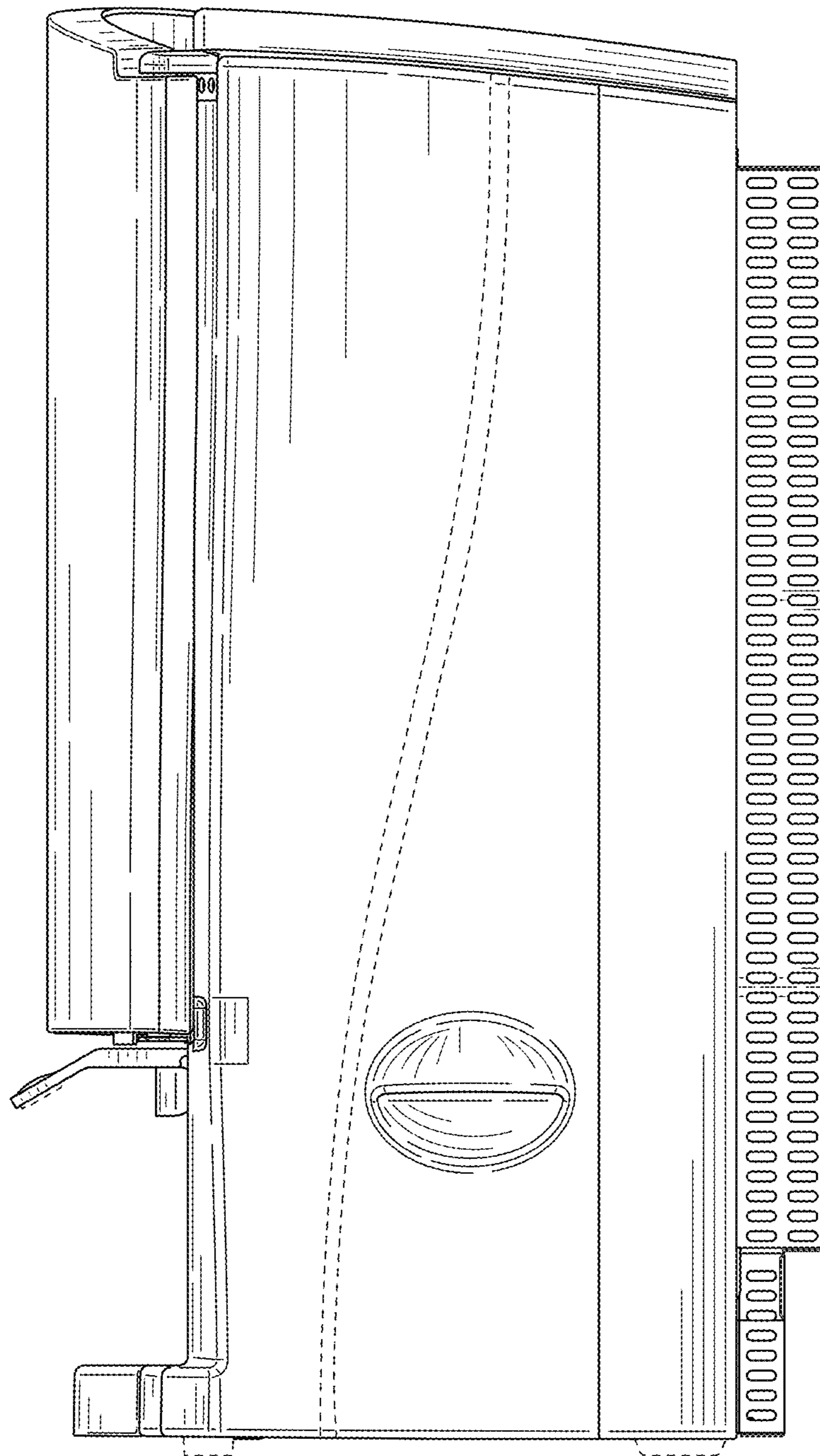


FIG. 4

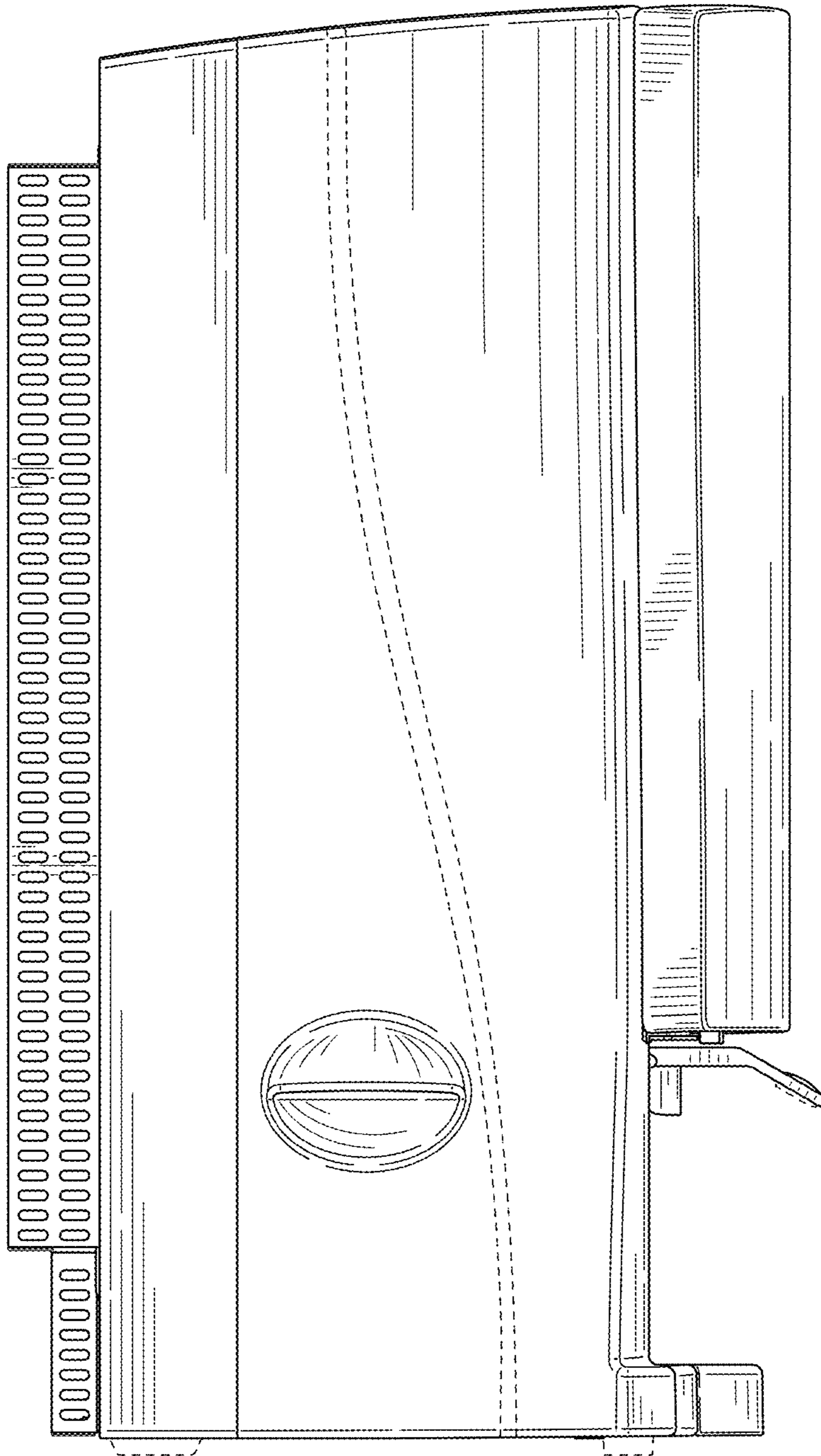


FIG. 5

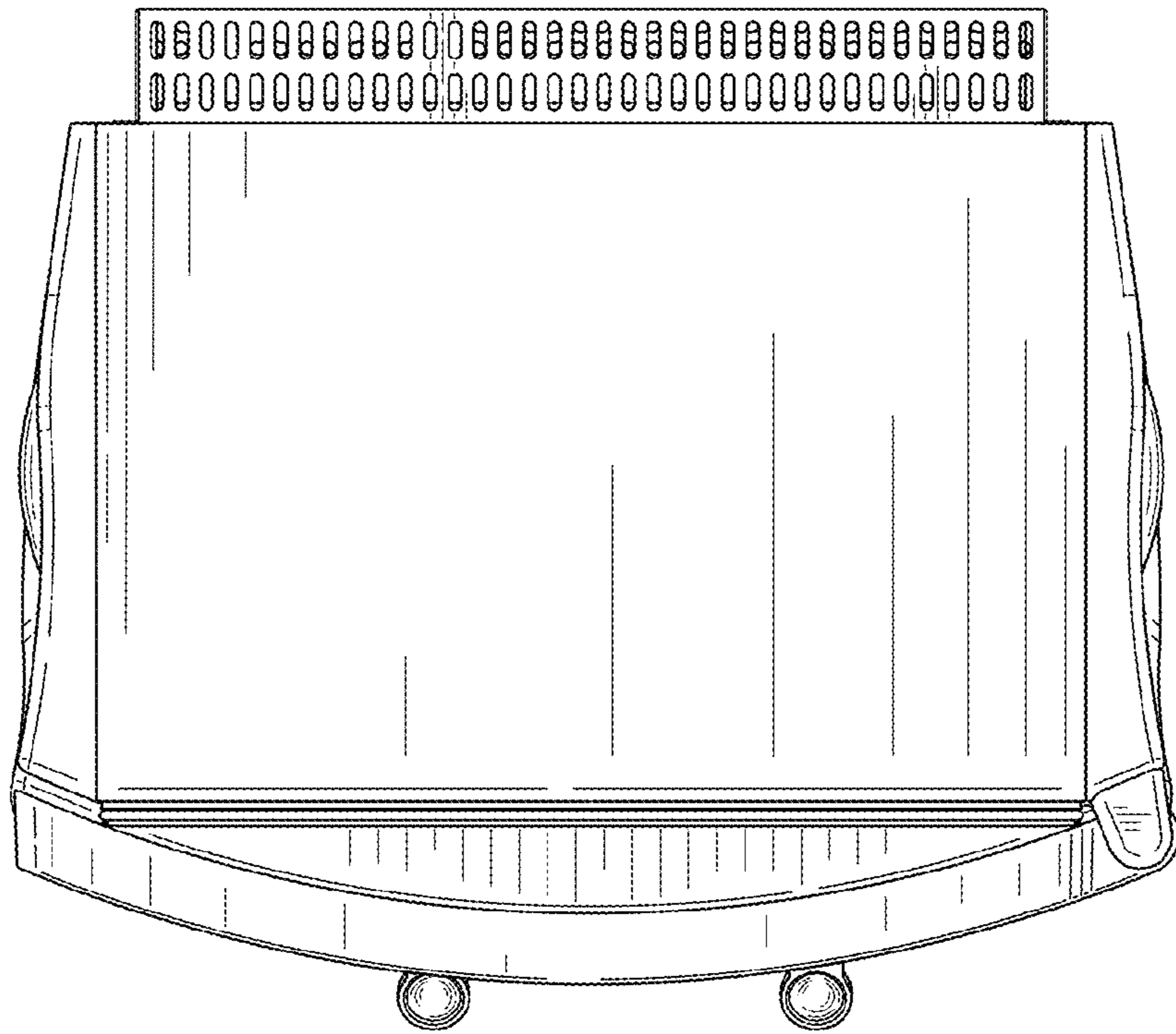


FIG. 6

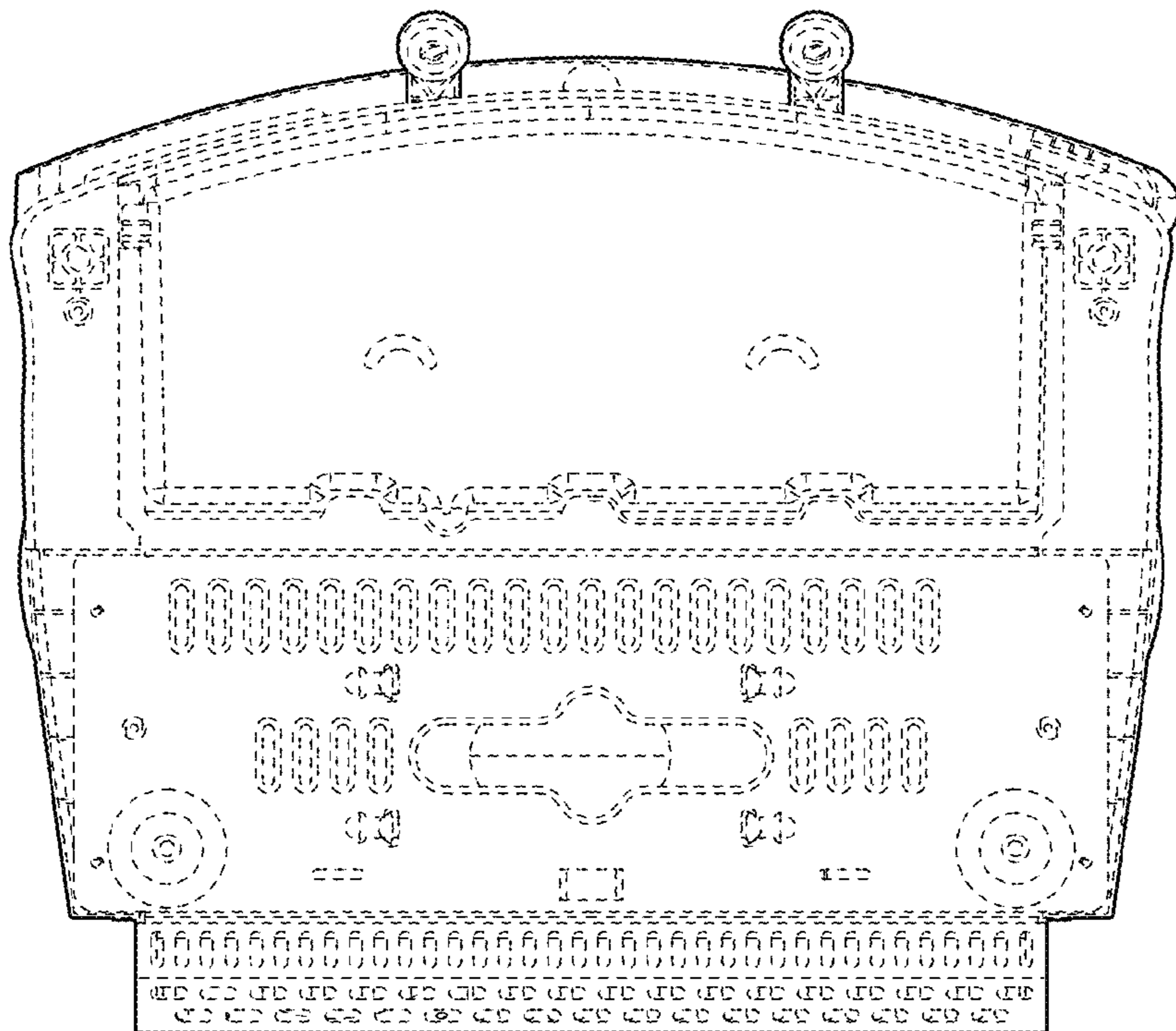


FIG. 7

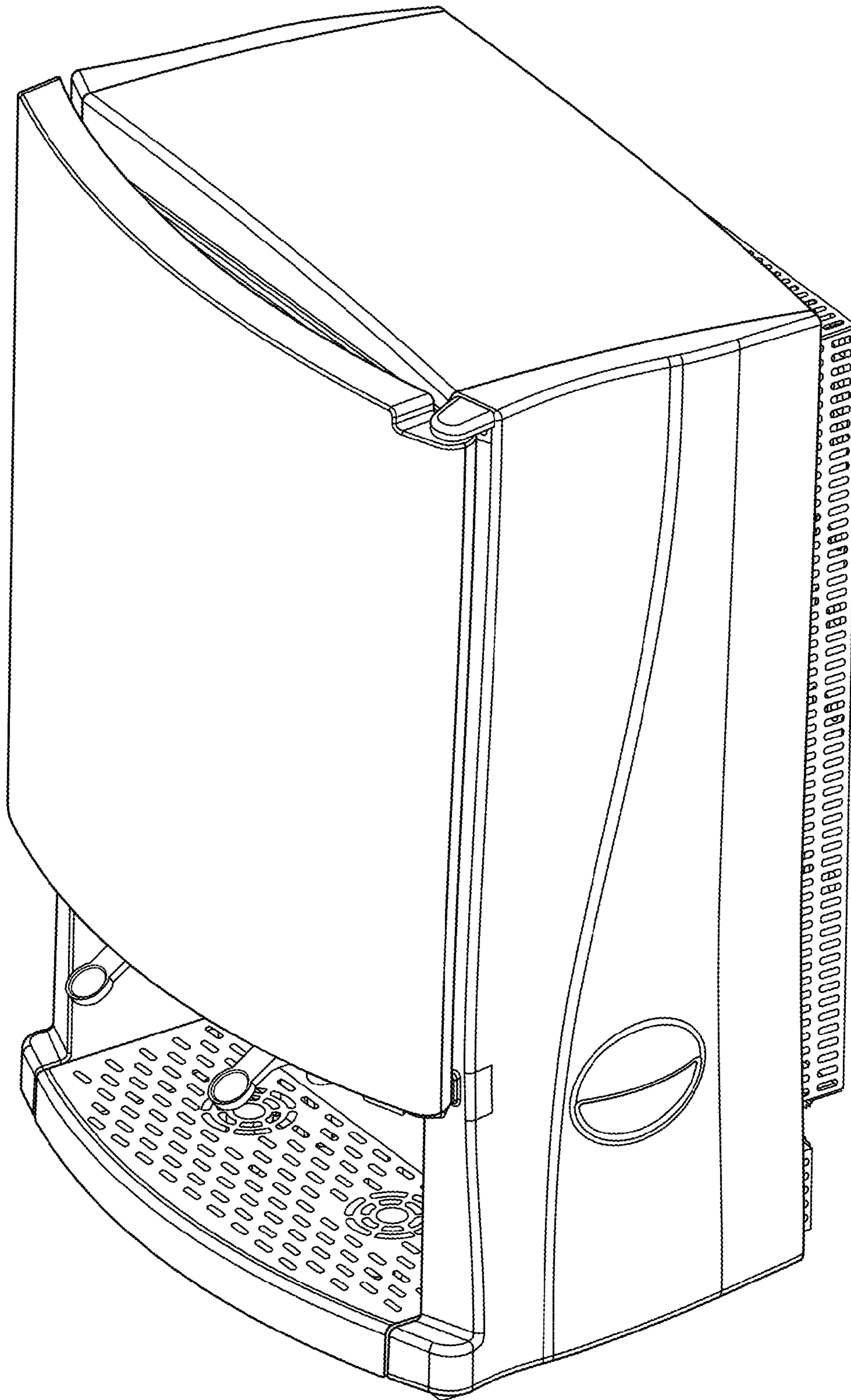


FIG. 8

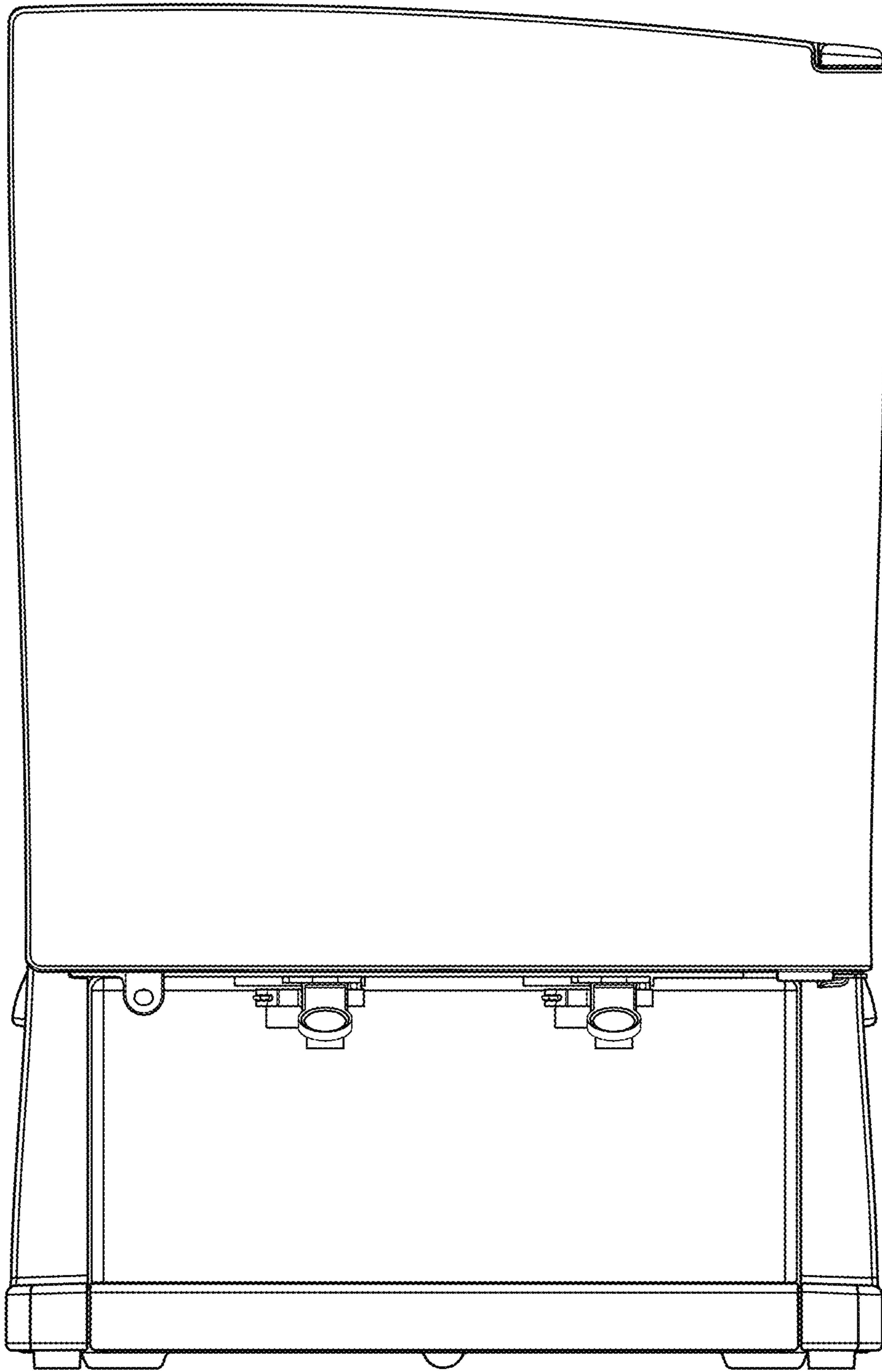


FIG. 9

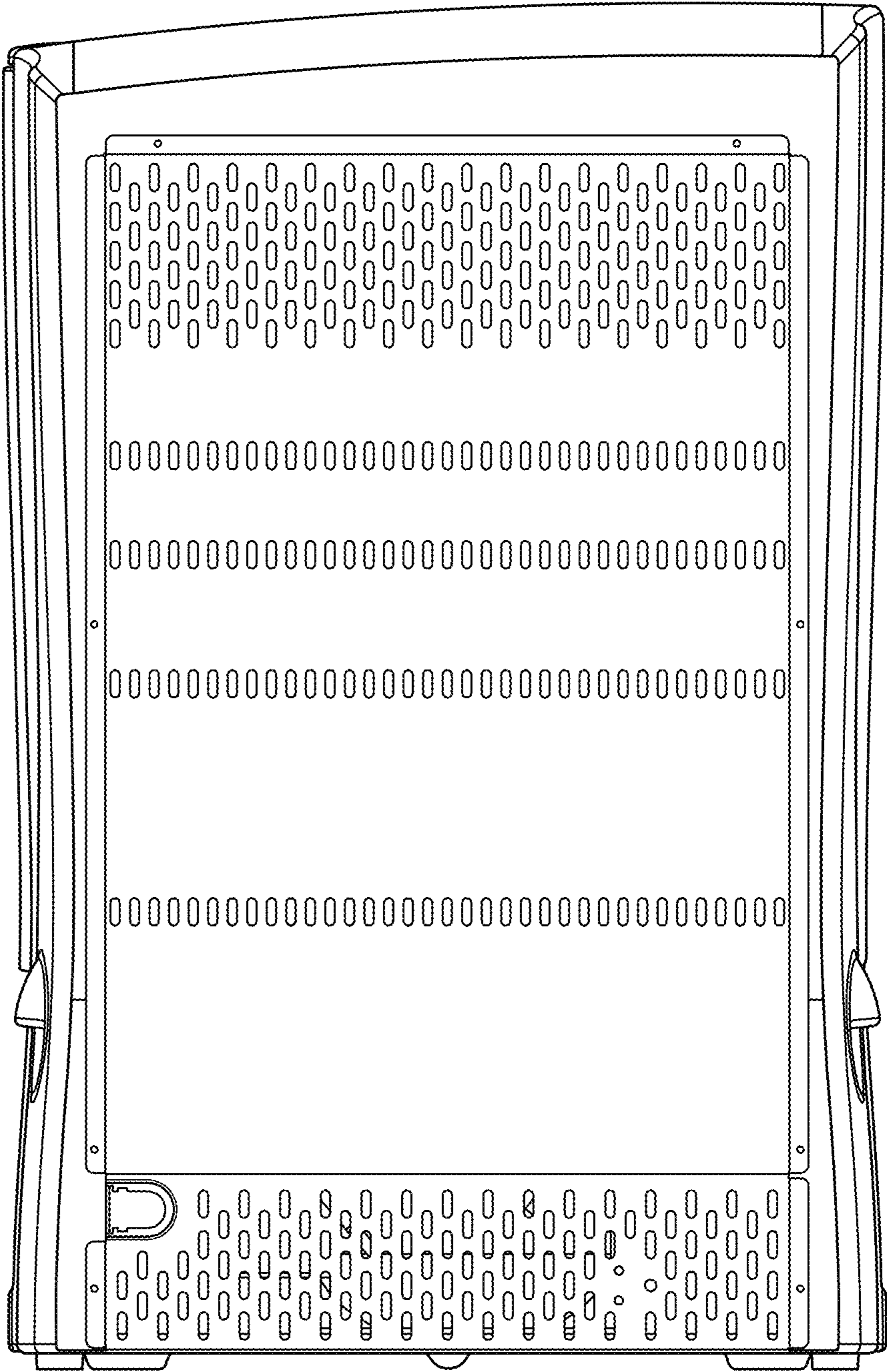


FIG. 10

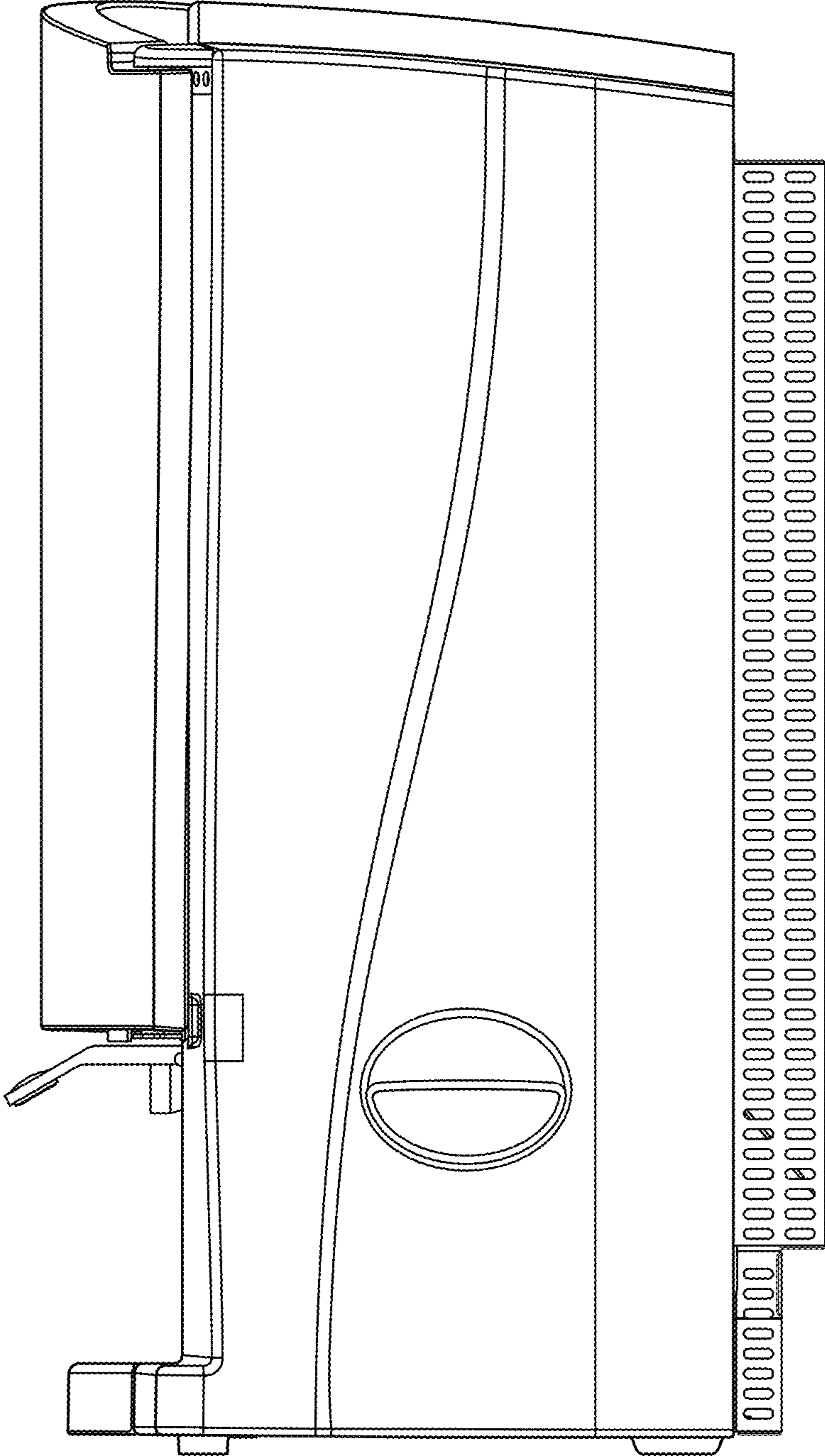


FIG. 11

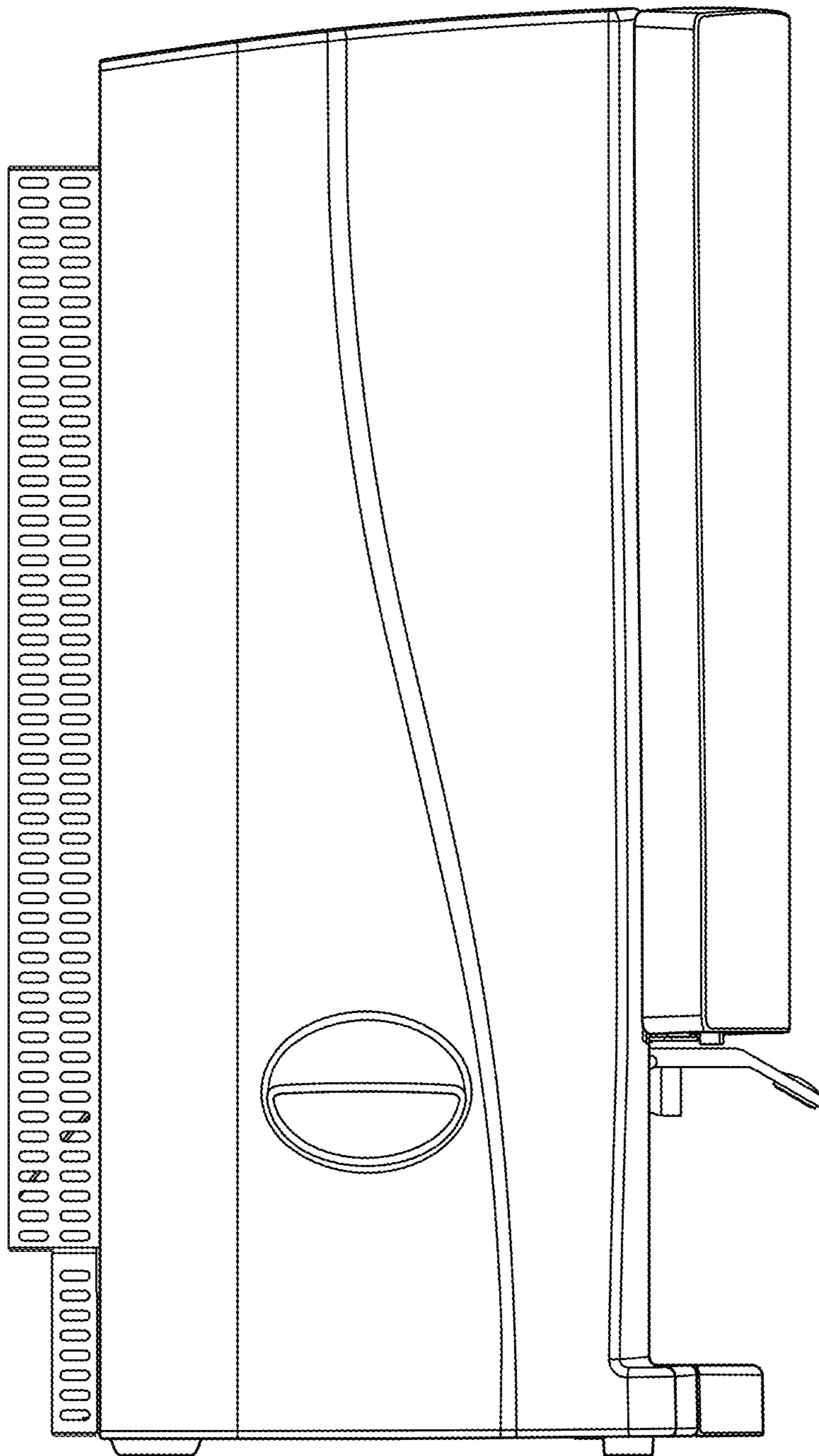


FIG. 12

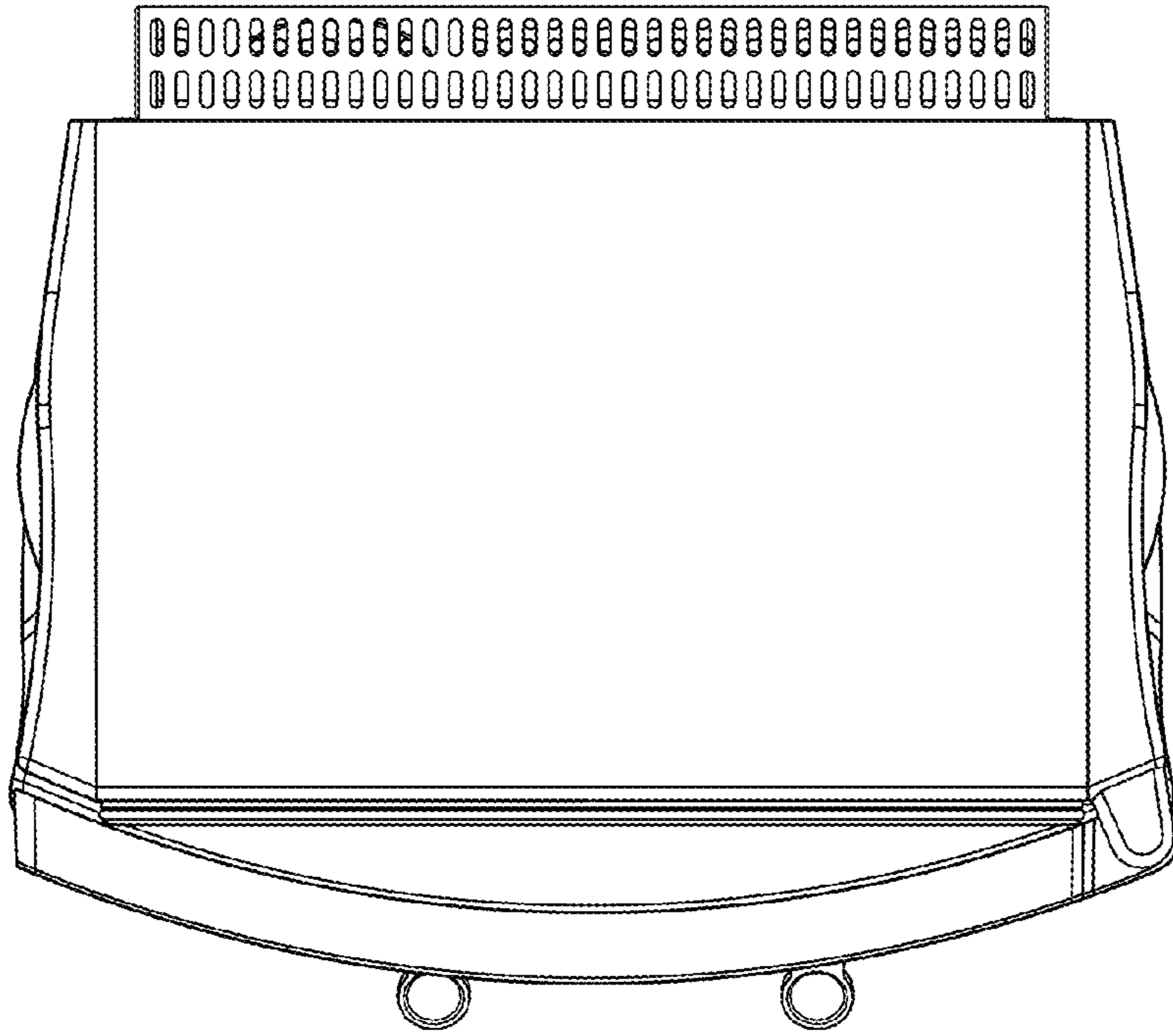


FIG. 13

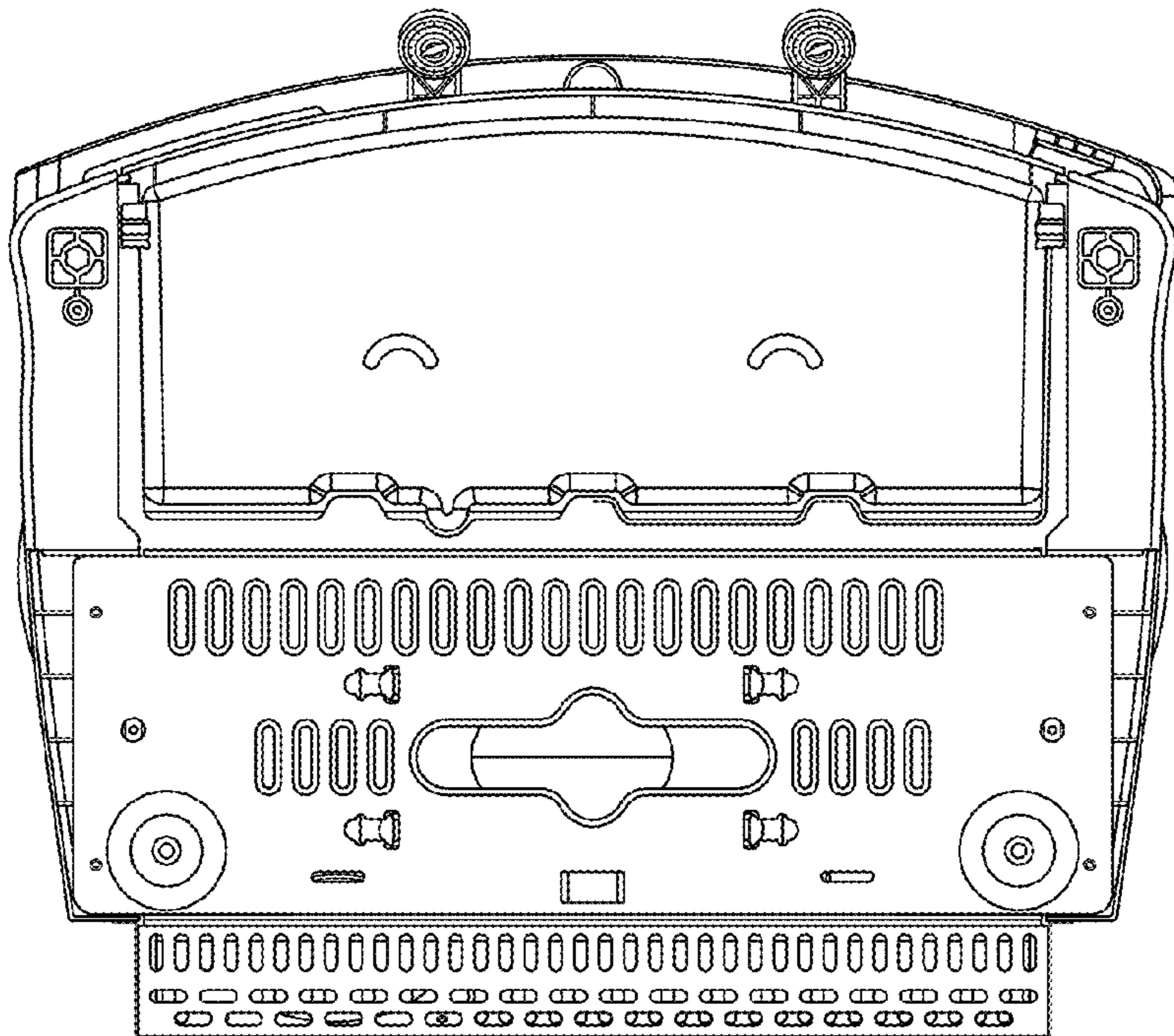


FIG. 14