



US00D709722S

(12) **United States Design Patent**
Luippold et al.

(10) **Patent No.:** **US D709,722 S**

(45) **Date of Patent:** **** Jul. 29, 2014**

(54) **MULTI-BEVERAGE DRINK MACHINE**

D666,051 S * 8/2012 de Pra D7/309
8,250,972 B2 * 8/2012 Santoiemmo 99/323.2
D666,451 S * 9/2012 Cheng D7/309

(71) Applicant: **BSH Bosch und Siemens Hausgeräte GmbH, Munich (DE)**

(Continued)

(72) Inventors: **Gregor Luippold, Grünwald (DE);
Christian Rummel, Benningen a.N. (DE);
Tim Storti, Schwieberdingen (DE)**

Primary Examiner — Marianne Pandozzi

(74) *Attorney, Agent, or Firm* — Laurence A. Greenberg;
Werner H. Stemer; Ralph E. Locher

(73) Assignee: **BSH Bosch und Siemens Hausgeraete GmbH, Munich (DE)**

(57) **CLAIM**

The ornamental design for a multi-beverage drink machine, as shown and described.

(**) Term: **14 Years**

DESCRIPTION

(21) Appl. No.: **29/436,785**

(22) Filed: **Nov. 9, 2012**

(30) **Foreign Application Priority Data**

May 11, 2012 (EM) 001328629

(51) **LOC (10) Cl.** **07-01**

(52) **U.S. Cl.**
USPC **D7/306; D7/311; D7/309; D7/305**

(58) **Field of Classification Search**
USPC **D7/306, 309-311, 300, 313, 301, 307,
D7/308, 305, 589; 99/323.2, 284, 279,
99/302, 294, 290, 295; 222/146.6, 185.1**
See application file for complete search history.

FIG. 1 is a front perspective view of a multi-beverage drink machine showing a first embodiment of my new design; FIG. 2 is a perspective view thereof with the beverage support in an alternate position; FIG. 3 is a front view of FIG. 1; FIG. 4 is a rear view thereof; FIG. 5 is a top plan view thereof; FIG. 6 is a bottom plan view thereof; FIG. 7 is a right side view thereof; FIG. 8 is a left side view thereof; FIG. 9 is a front perspective view of a multi-beverage drink machine showing a second embodiment of my new design; FIG. 10 is a perspective view thereof with the beverage support in an alternate position; FIG. 11 is a front view of FIG. 1; FIG. 12 is a rear view thereof; FIG. 13 is a top plan view thereof; FIG. 14 is a bottom plan view thereof; FIG. 15 is a right side view thereof; and, FIG. 16 is a left side view thereof.

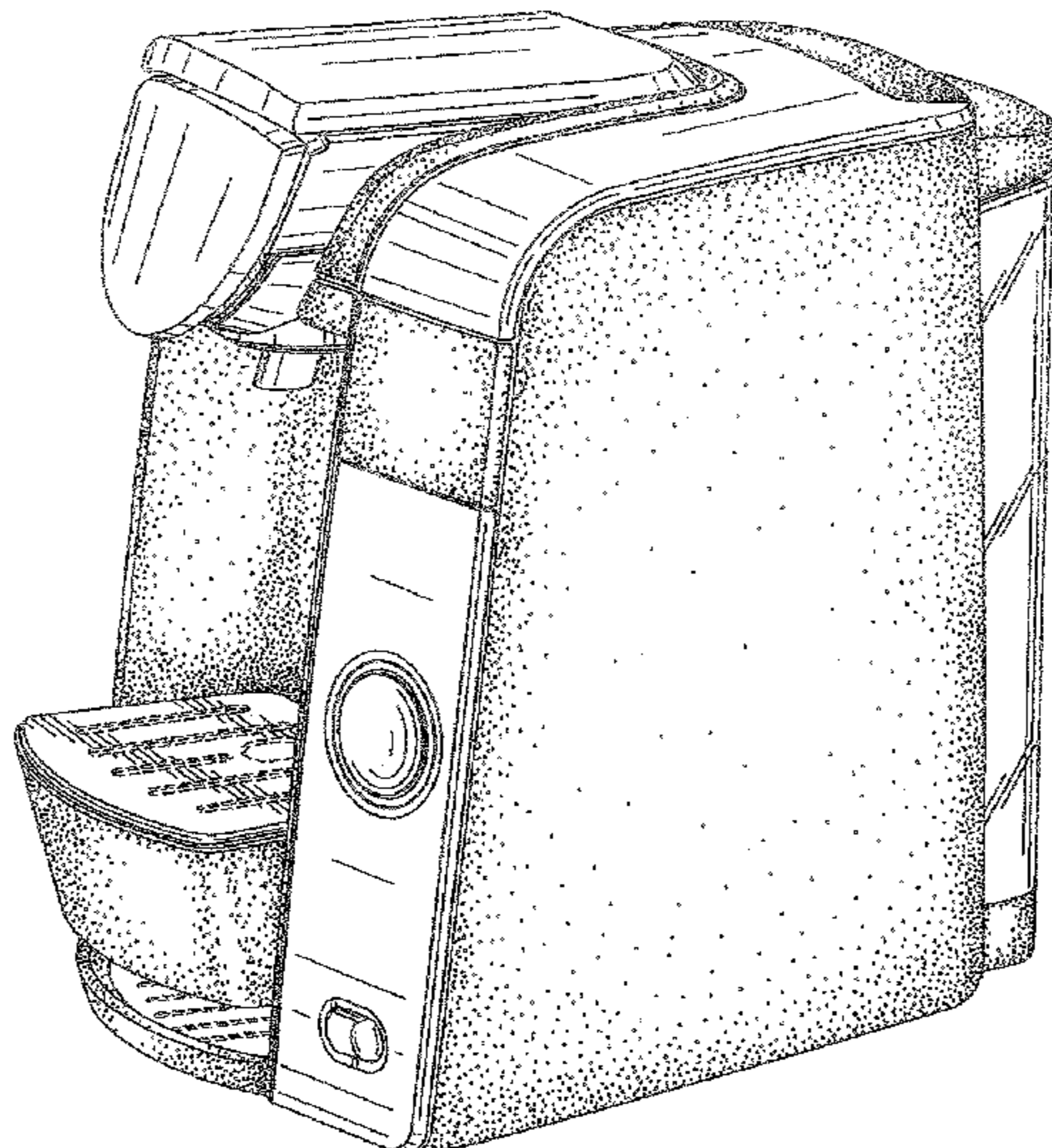
(56) **References Cited**

U.S. PATENT DOCUMENTS

D377,576 S * 1/1997 Amiel D7/309
D584,095 S * 1/2009 Luippold D7/306
D602,303 S * 10/2009 Cahen D7/309
D612,657 S * 3/2010 Luippold et al. D7/306
D649,392 S * 11/2011 Cahen D7/307
8,210,095 B2 * 7/2012 Brezovnik et al. 99/295

The broken lines represent environment or structure and do not form a portion of the claimed design. The use of stippling is used to indicate a contrast in color and/or materials with the line-shaded parts of the multi-beverage drink machine.

1 Claim, 16 Drawing Sheets



US D709,722 S

Page 2

(56)

References Cited

U.S. PATENT DOCUMENTS

D672,188 S *	12/2012	Luippold et al.	D7/306	
D674,232 S *	1/2013	Lavy et al.	D7/309	* cited by examiner
D674,233 S *	1/2013	Lavy et al.	D7/309	
D678,710 S *	3/2013	Xie	D7/309	
D682,598 S *	5/2013	Wu et al.	D7/306	

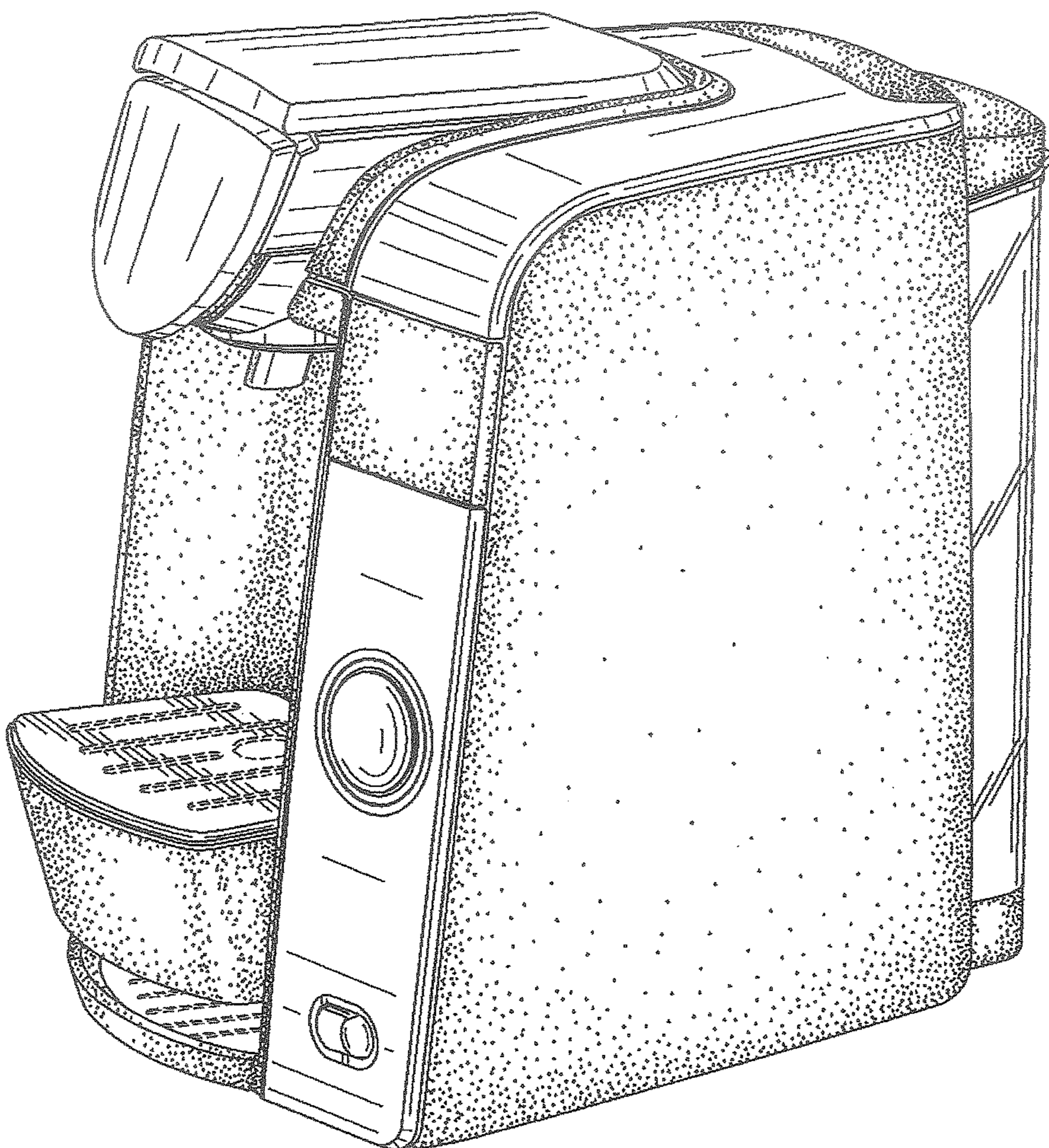


FIG. 1

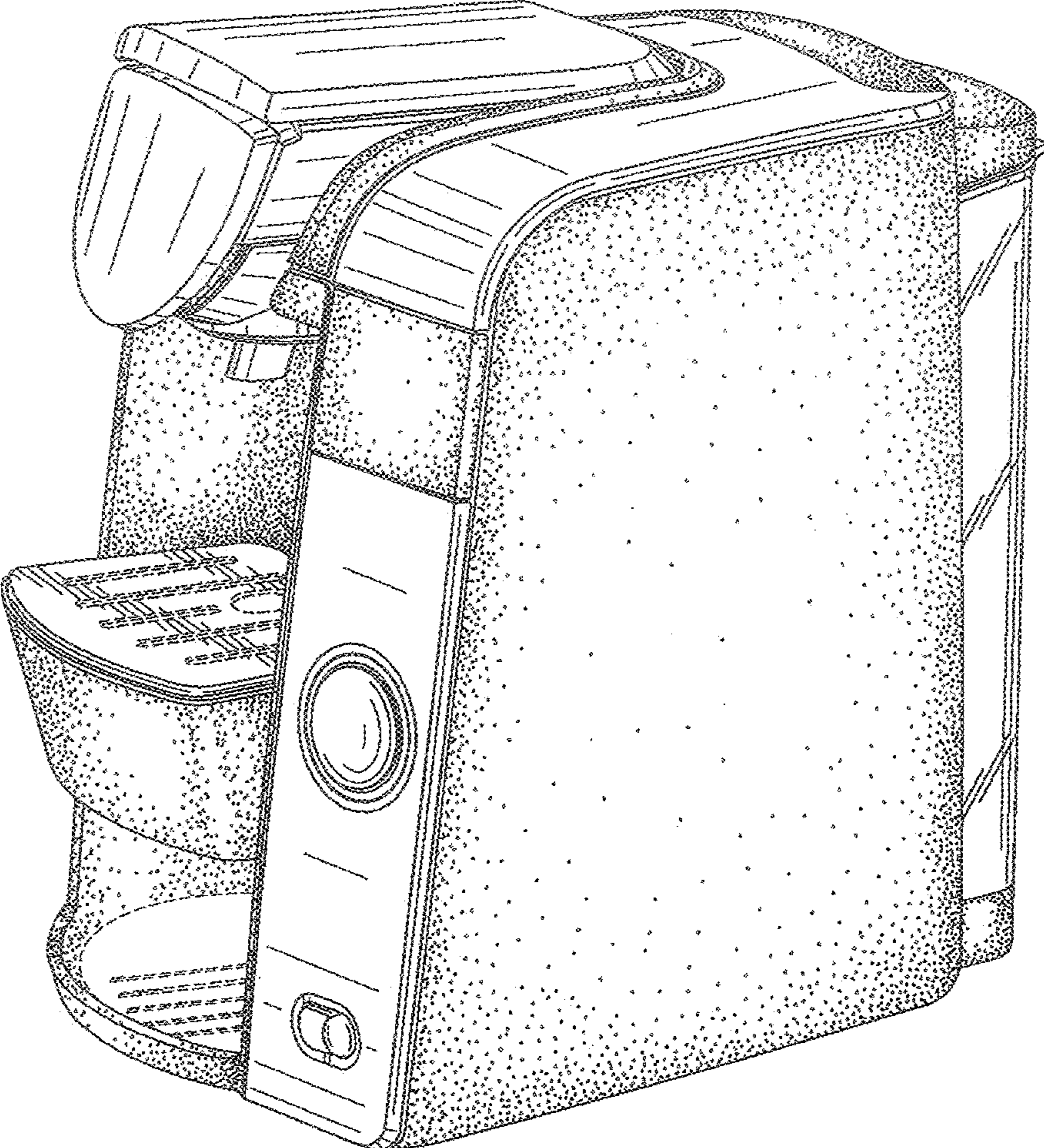


FIG. 2

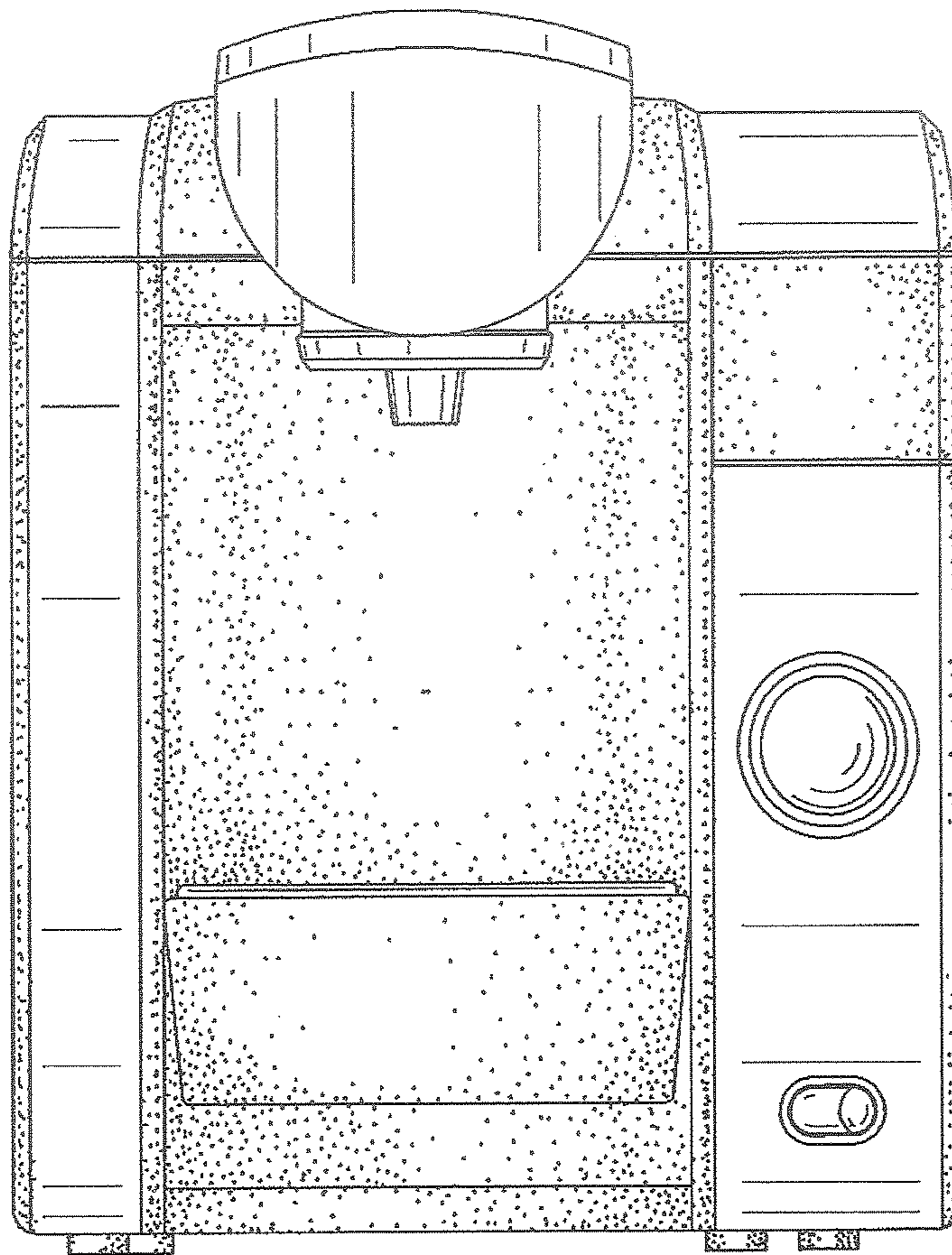


FIG. 3

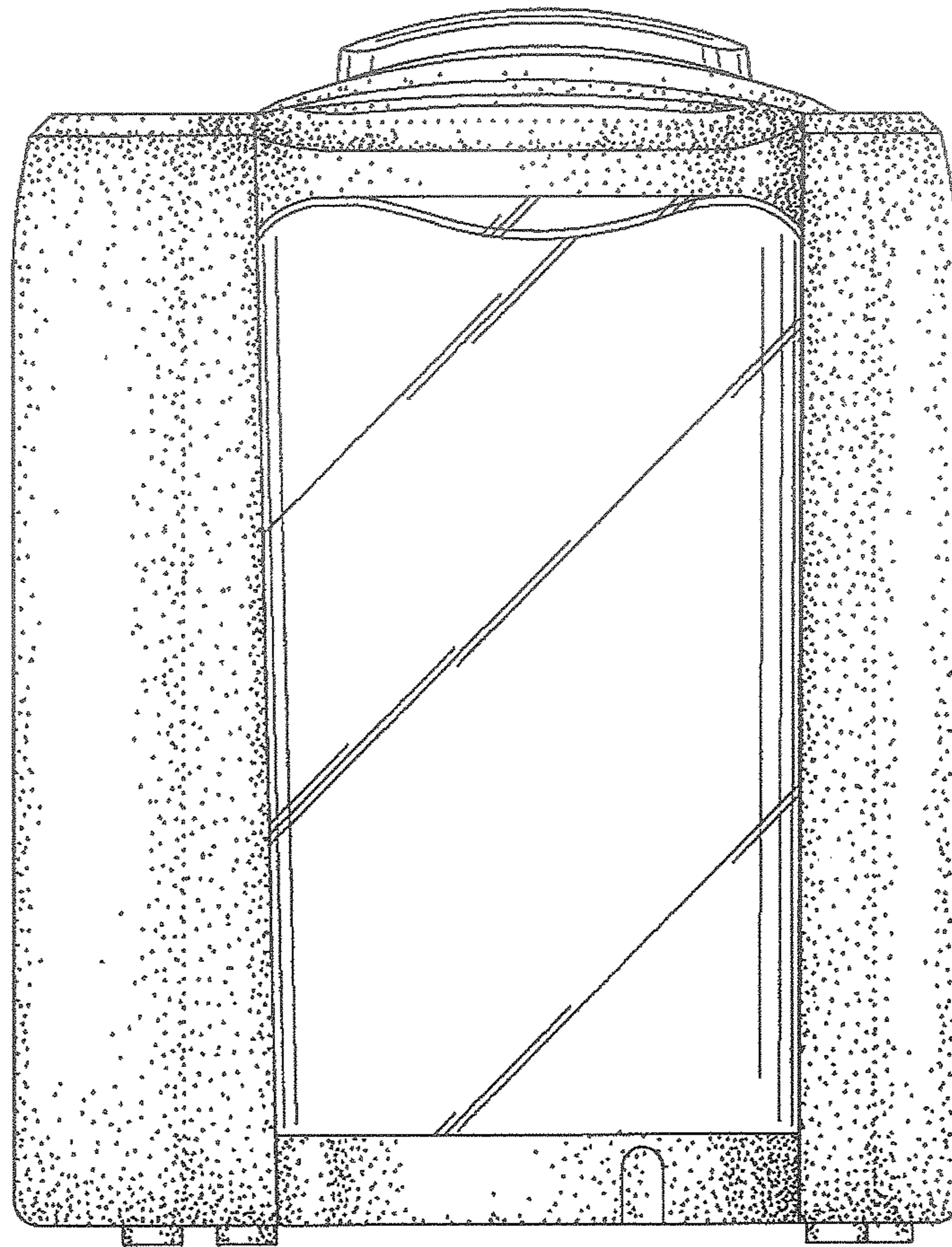


FIG. 4

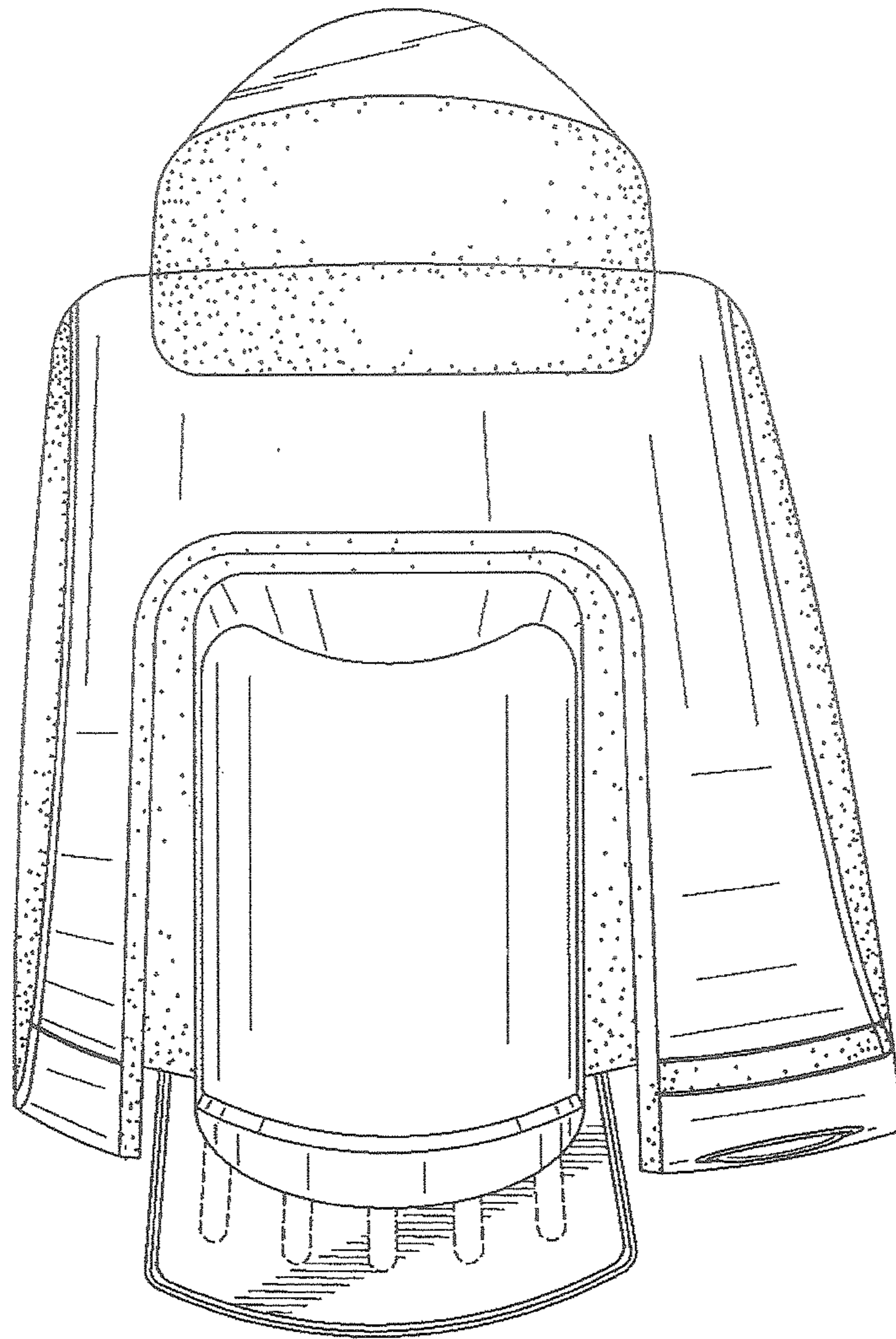


FIG. 5

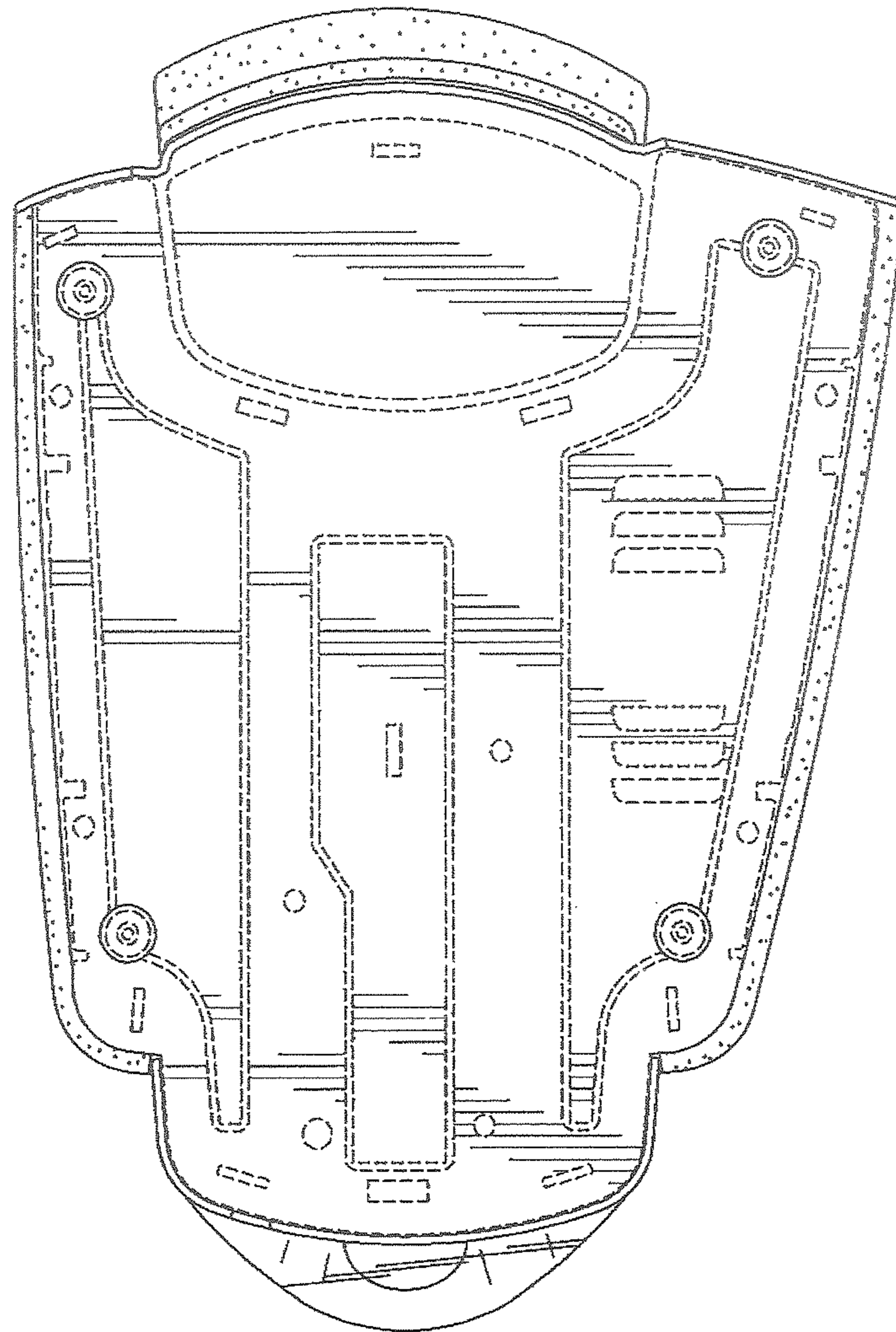


FIG. 6

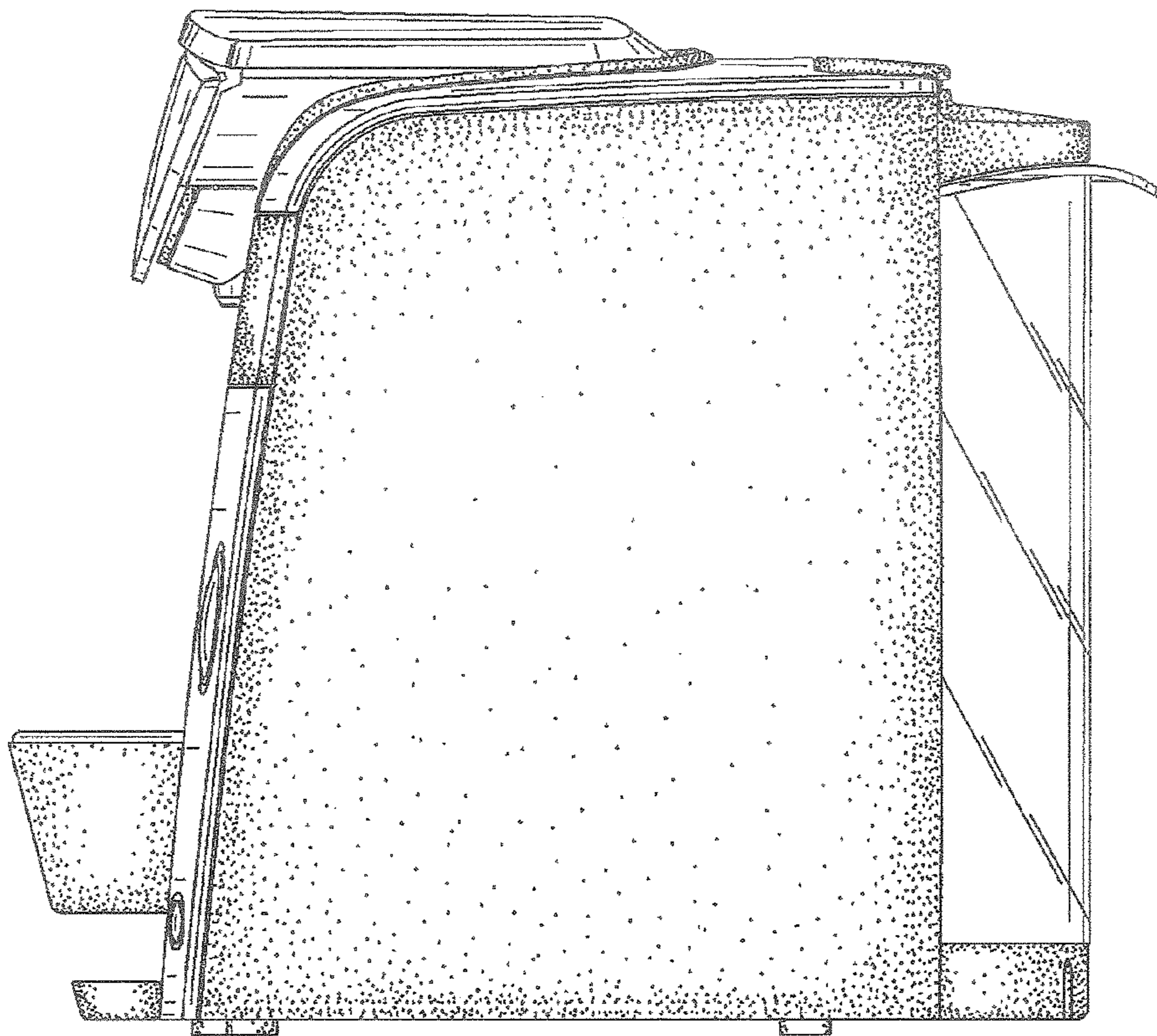


FIG. 7

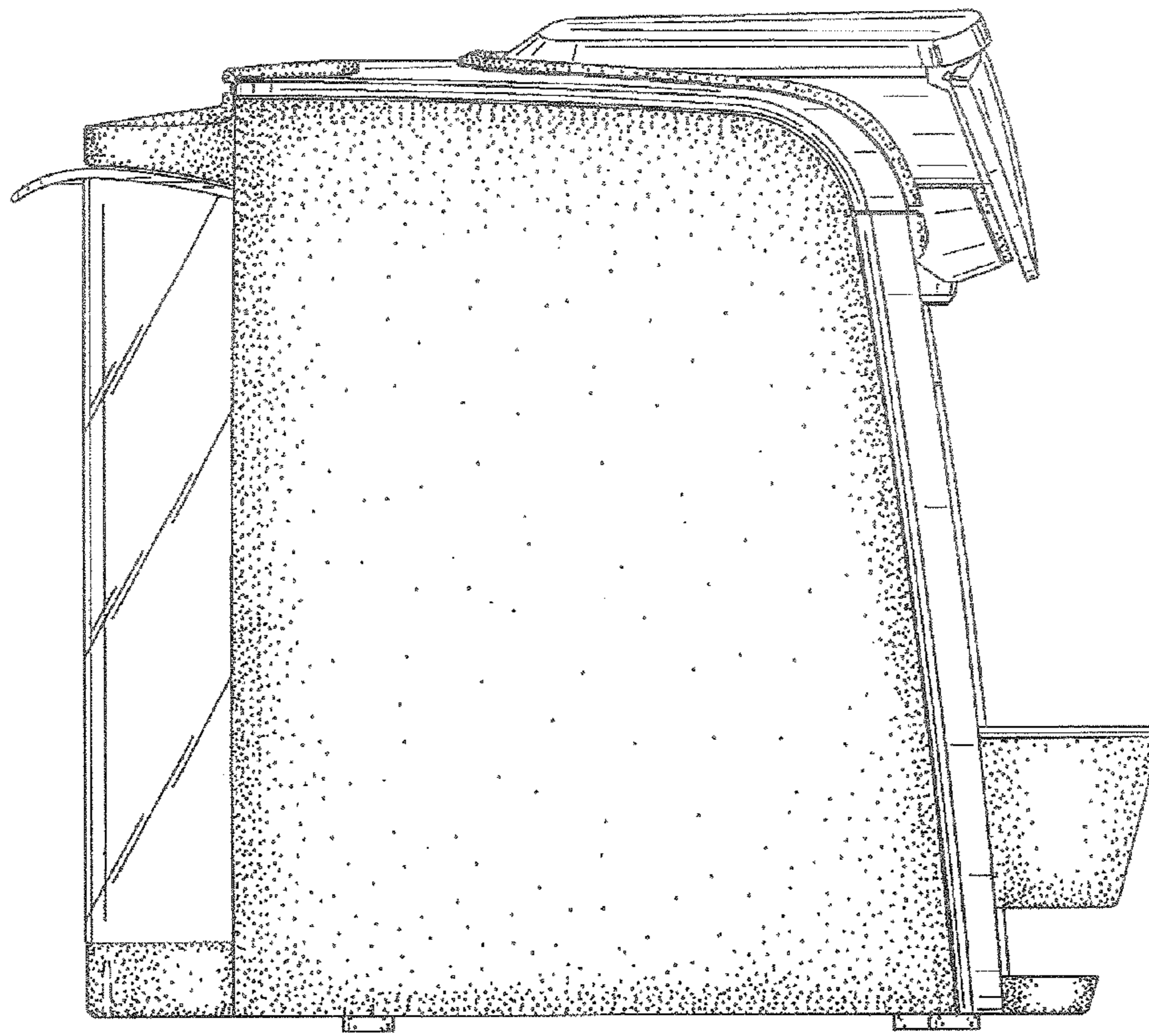


FIG. 8

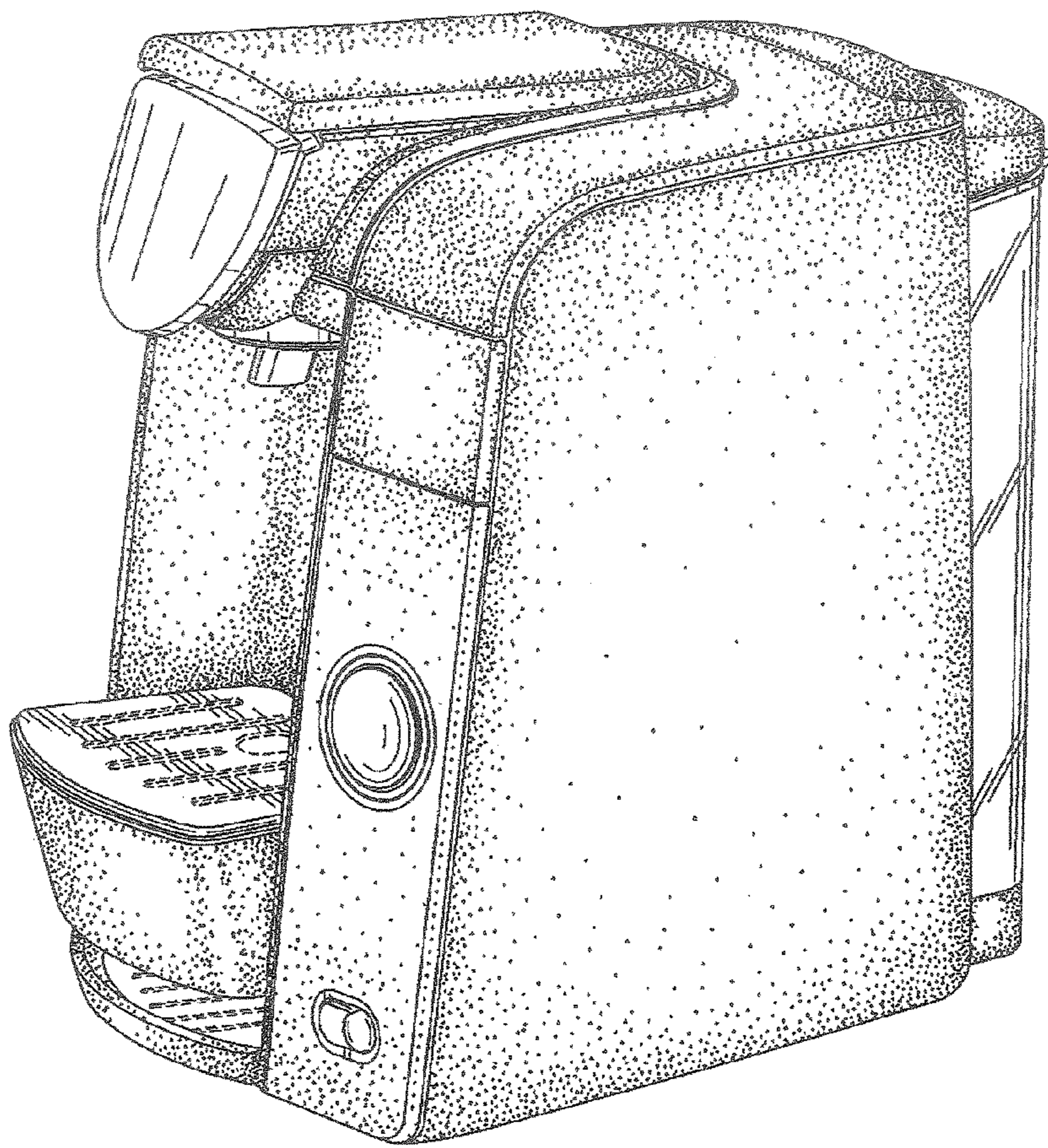


FIG. 9

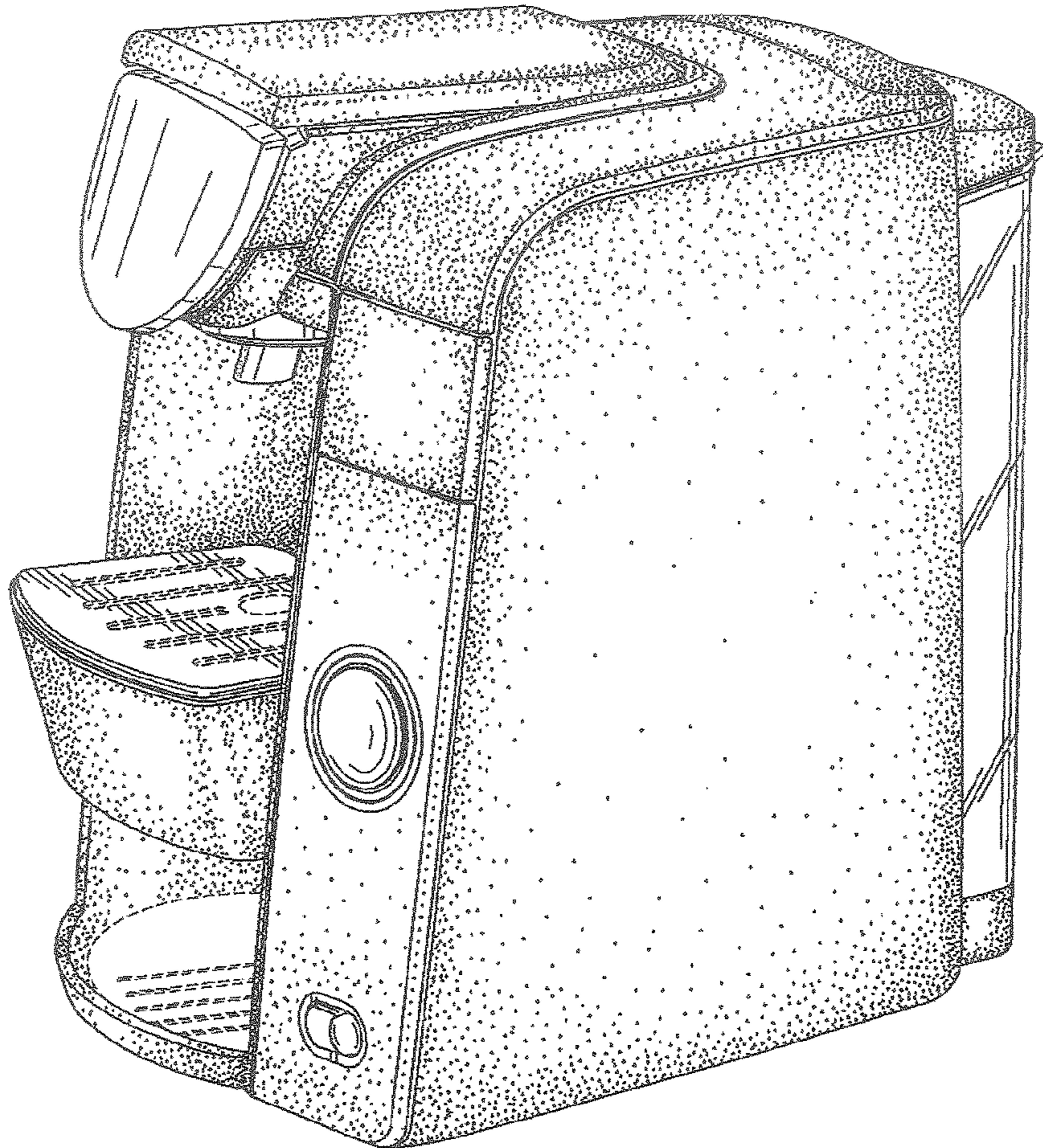


FIG. 10

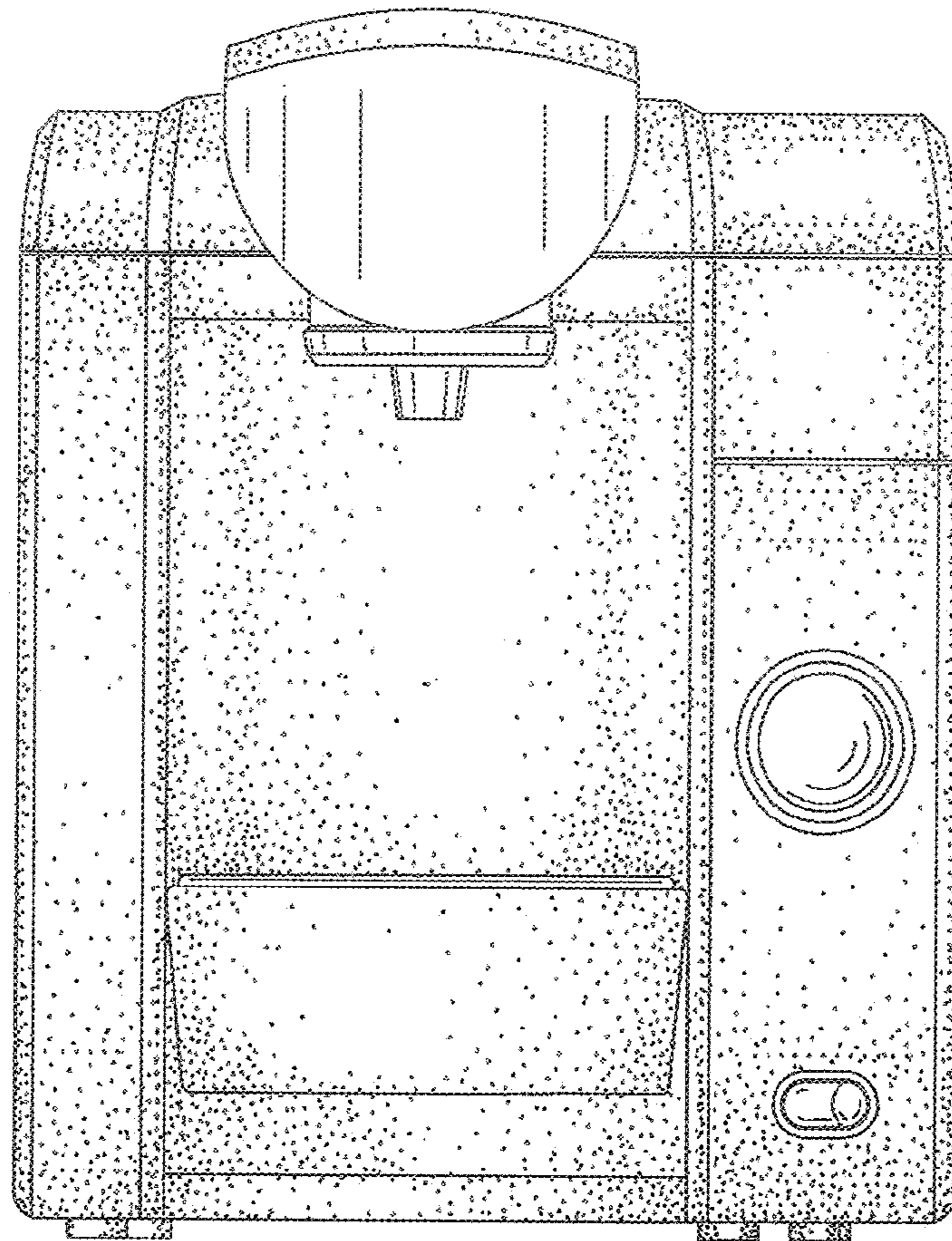


FIG. 11

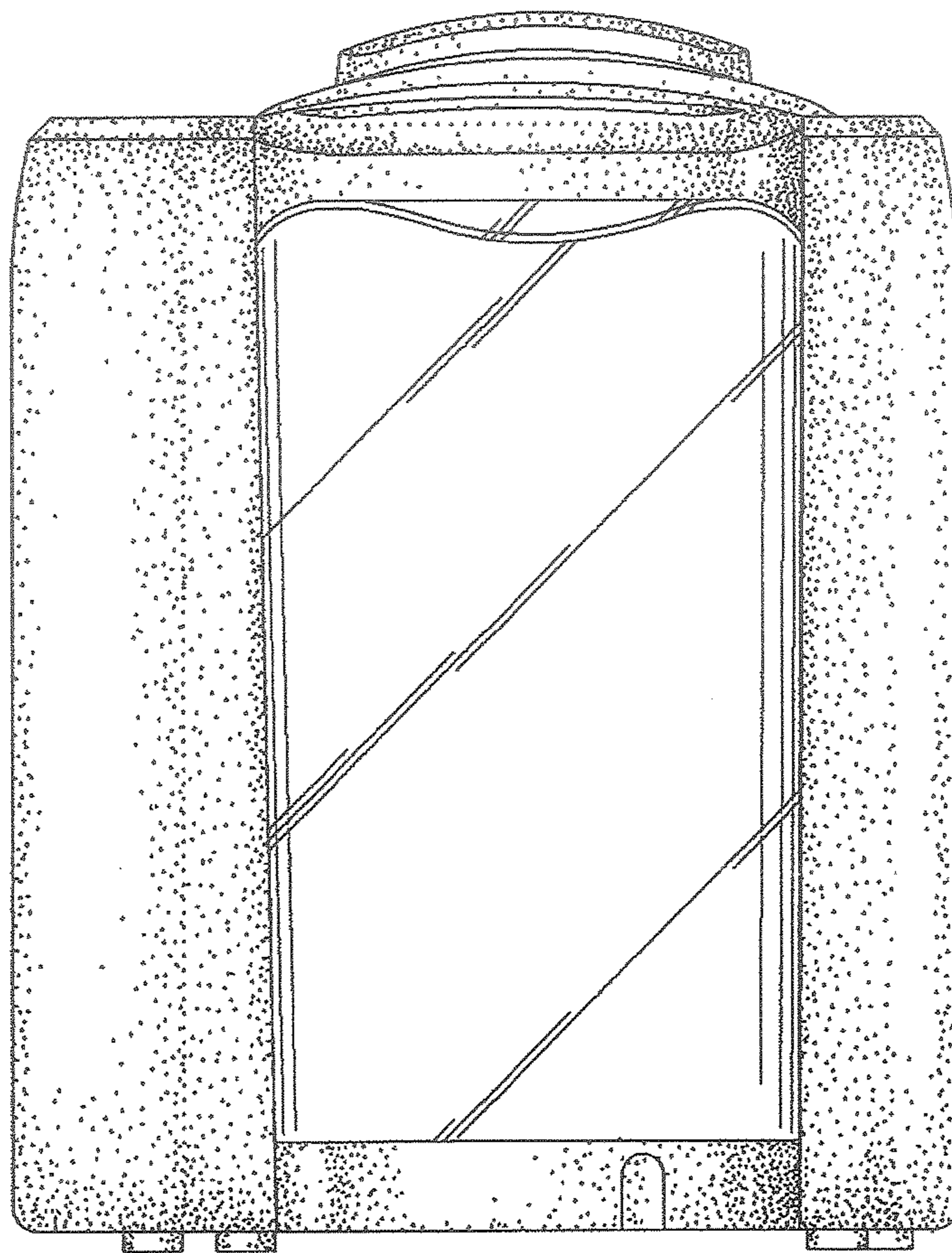


FIG. 12

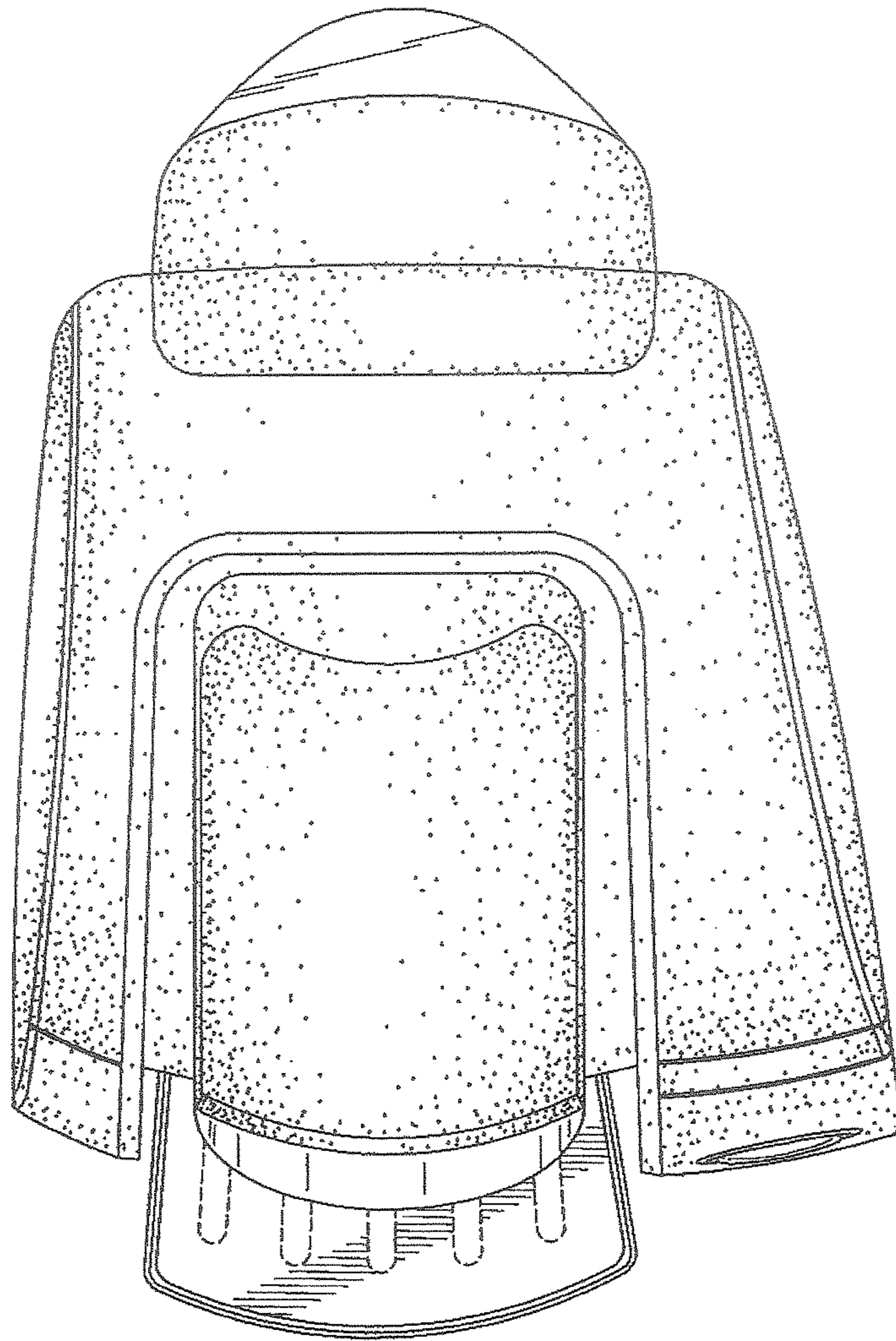


FIG. 13

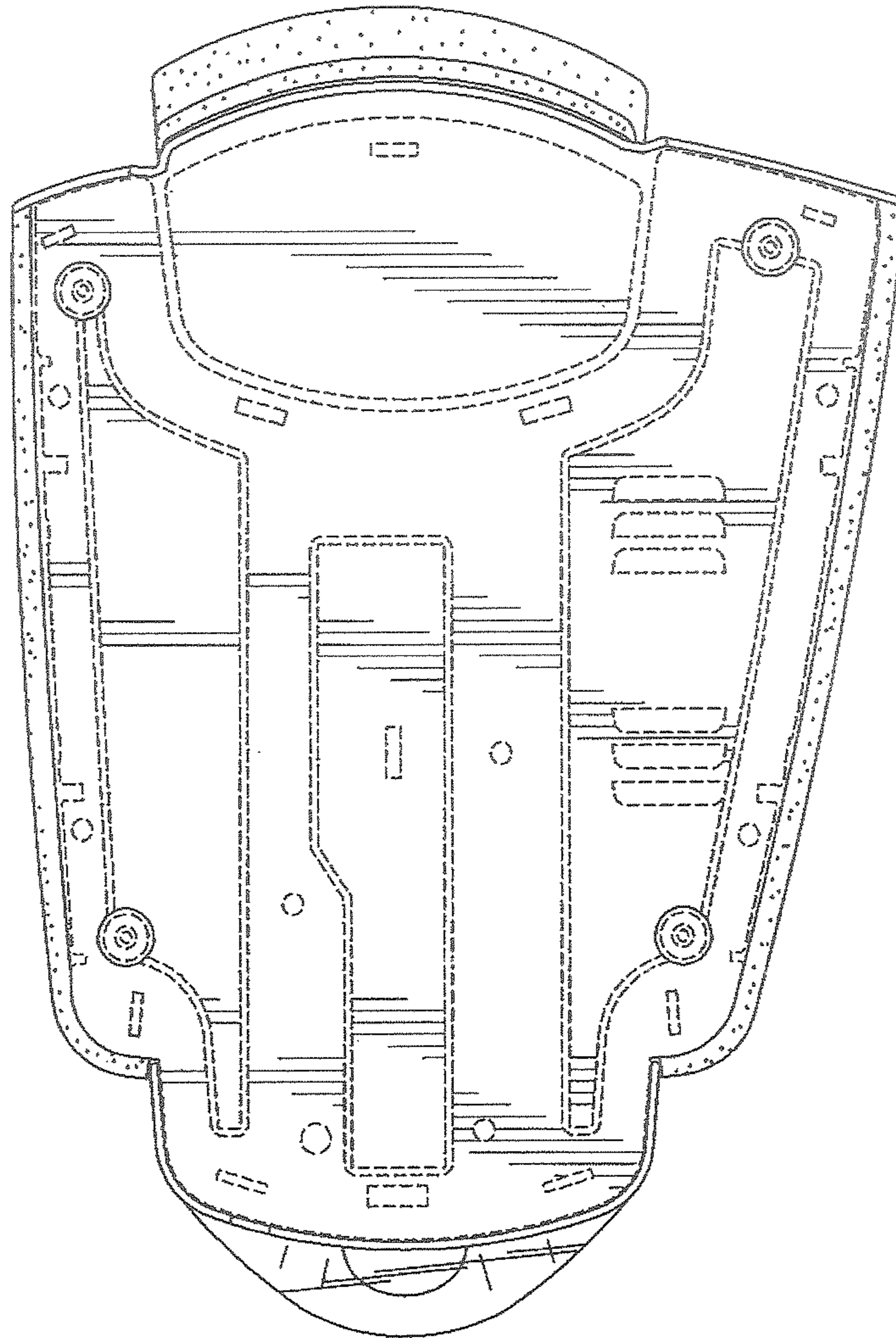


FIG. 14

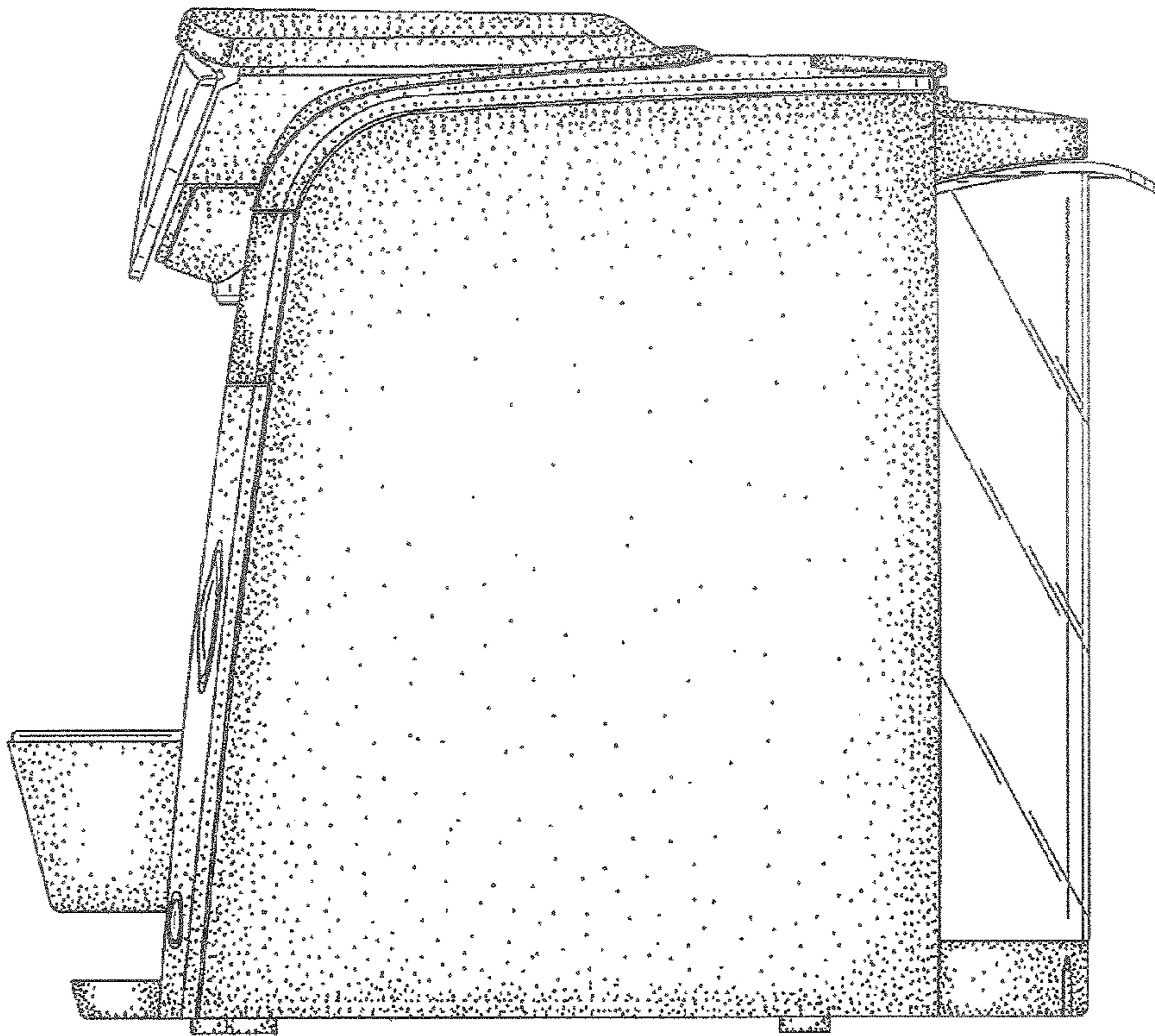


FIG. 15

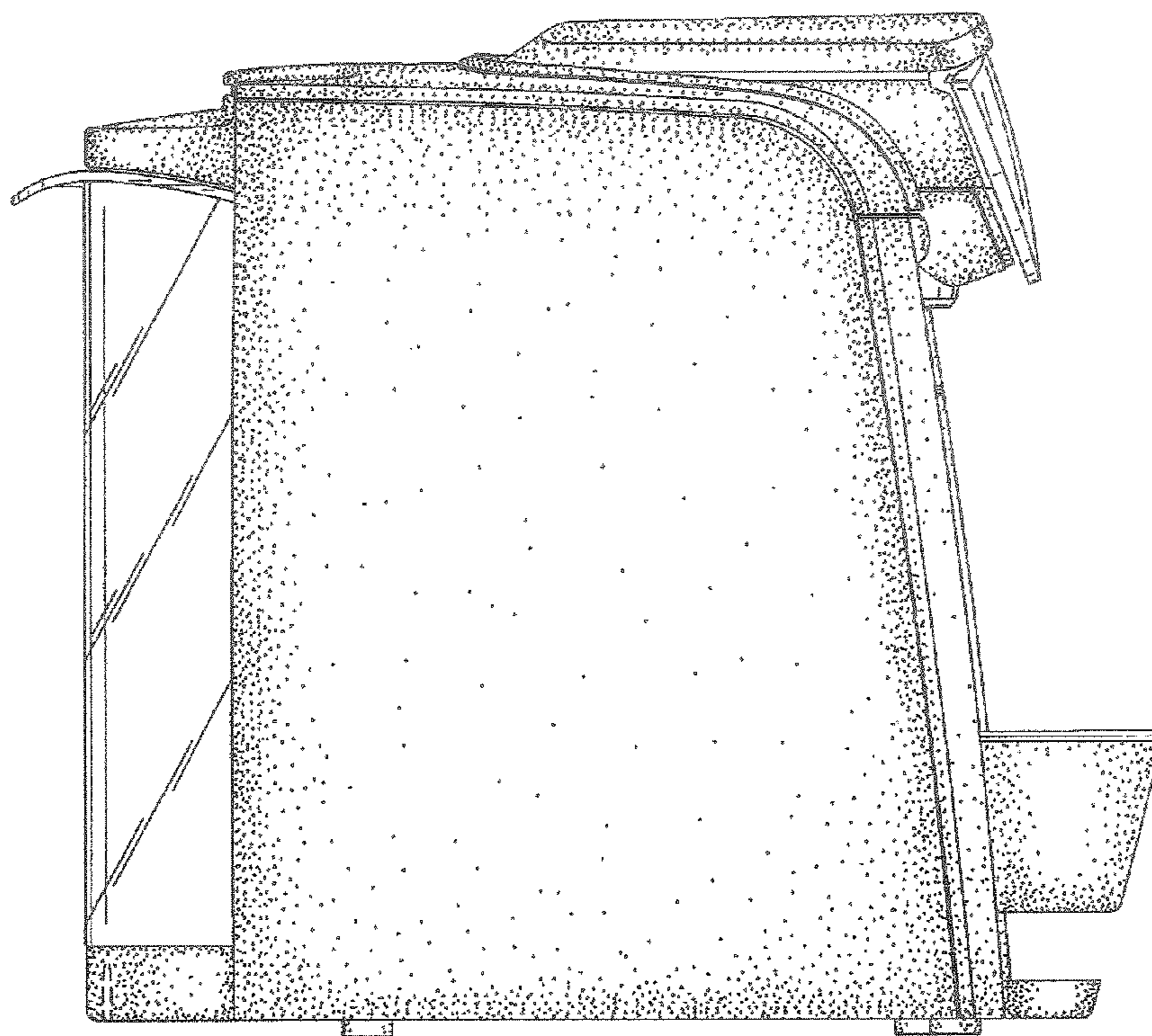


FIG. 16