



US00D709716S

(12) **United States Design Patent**
Watson

(10) **Patent No.:** **US D709,716 S**

(45) **Date of Patent:** **** Jul. 29, 2014**

(54) **PLAY CENTER TOP**

(71) Applicant: **Bruce Watson**, Atlantic, IA (US)

(72) Inventor: **Bruce Watson**, Atlantic, IA (US)

(73) Assignee: **Owner Revolution Inc.**, Adair, IA (US)

(**) Term: **14 Years**

(21) Appl. No.: **29/484,980**

(22) Filed: **Mar. 14, 2014**

(51) **LOC (10) Cl.** **06-06**

(52) **U.S. Cl.**

USPC **D6/675.3**

(58) **Field of Classification Search**

USPC D6/396, 407, 449, 450, 454-463,
D6/470-471, 473-474, 566, 675,
D6/675.1-675.3; 108/28, 31-32; 211/1,
211/13.1, 41.1, 50, 86.01, 134, 153, 195;
248/441.1, 459

See application file for complete search history.

(56) **References Cited**

U.S. PATENT DOCUMENTS

D42,106 S * 1/1912 Friedman D6/471
D250,343 S * 11/1978 Macowski D19/76

D270,549 S * 9/1983 Burton et al. D19/76
D289,586 S * 5/1987 Staab D6/449
4,685,647 A * 8/1987 Calhoun 248/444.1
D543,383 S * 5/2007 Edison et al. D6/474
D588,139 S * 3/2009 Fujino et al. D14/447
D590,021 S * 4/2009 Hughes D19/76
D599,582 S * 9/2009 DeCardenas D6/474
D633,731 S * 3/2011 Pohl D6/468
D697,340 S * 1/2014 Vardaro D6/675.1

* cited by examiner

Primary Examiner — Kelley Donnelly

(74) *Attorney, Agent, or Firm* — G. Brian Pingel; Camille L. Urban; David M. Breiner

(57) **CLAIM**

The ornamental design for a play center top, as shown and described.

DESCRIPTION

FIG. 1 is a front perspective view of a play center top showing my new design;

FIG. 2 is a top plan view thereof;

FIG. 3 is a rear elevational view thereof;

FIG. 4 is a front elevational view thereof;

FIG. 5 is a bottom view thereof; and,

FIG. 6 is a side elevational view thereof with the opposite side being a mirror image of the side shown.

1 Claim, 3 Drawing Sheets

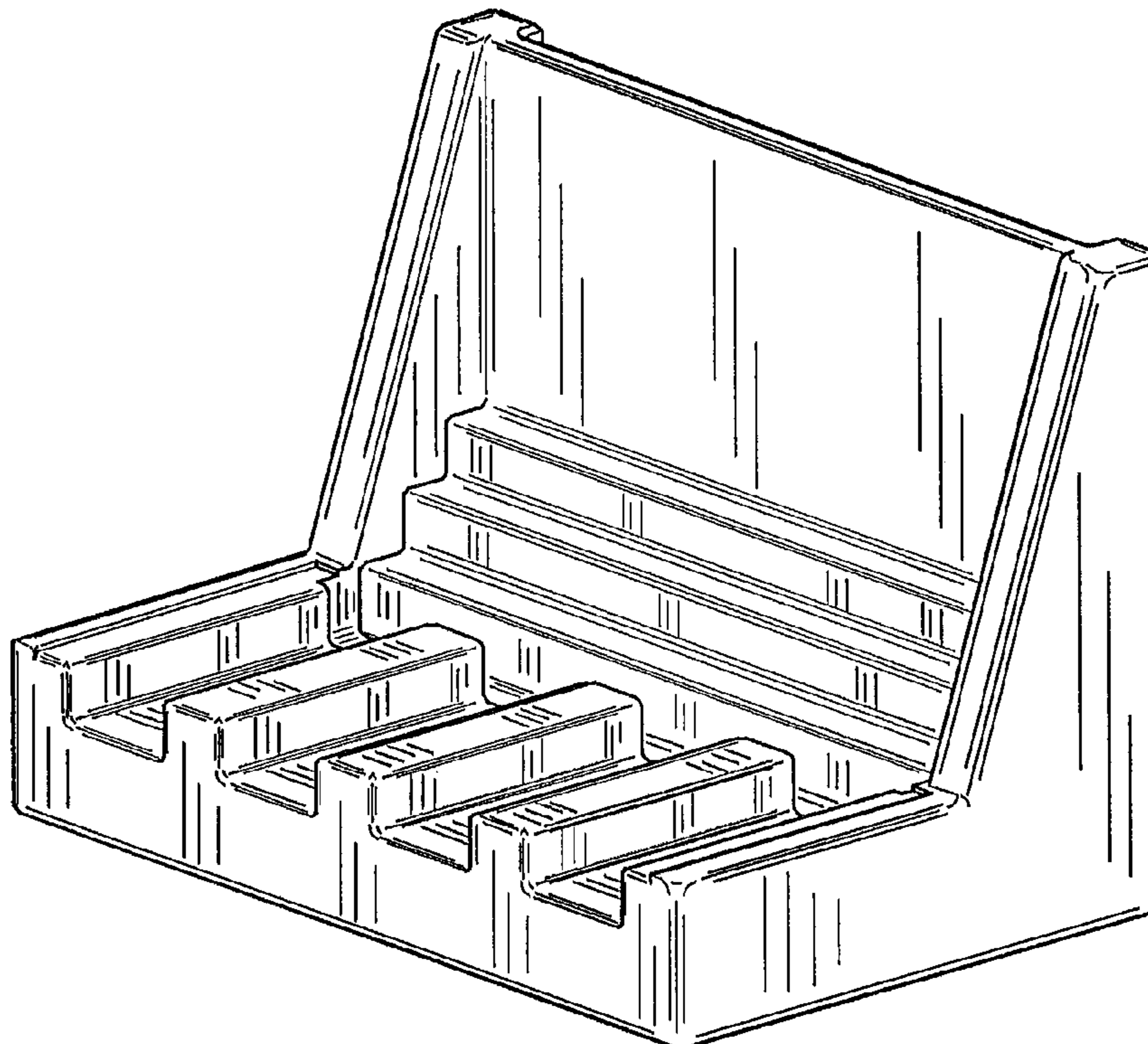


Fig. 1

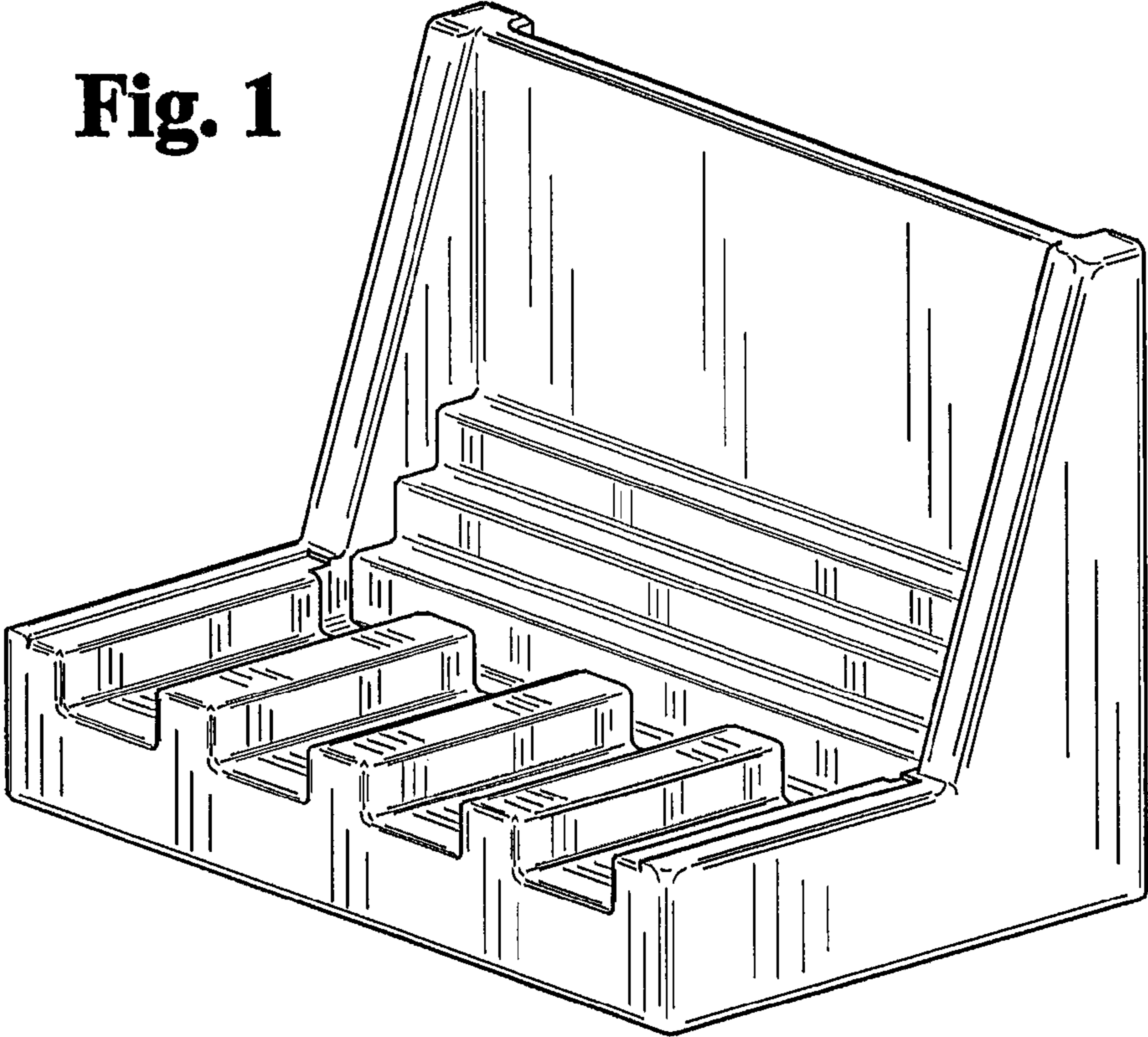


Fig. 2

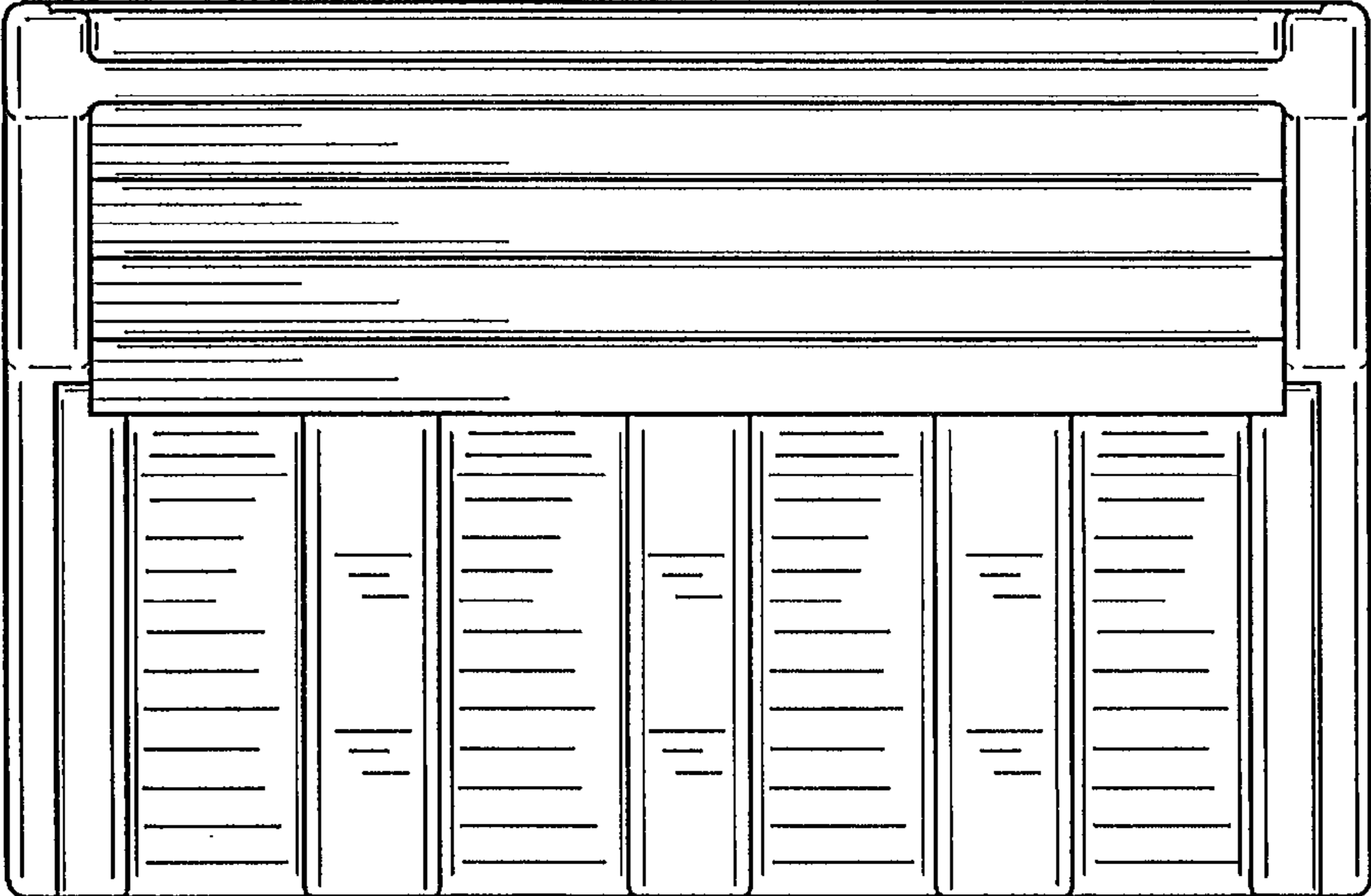


Fig. 3

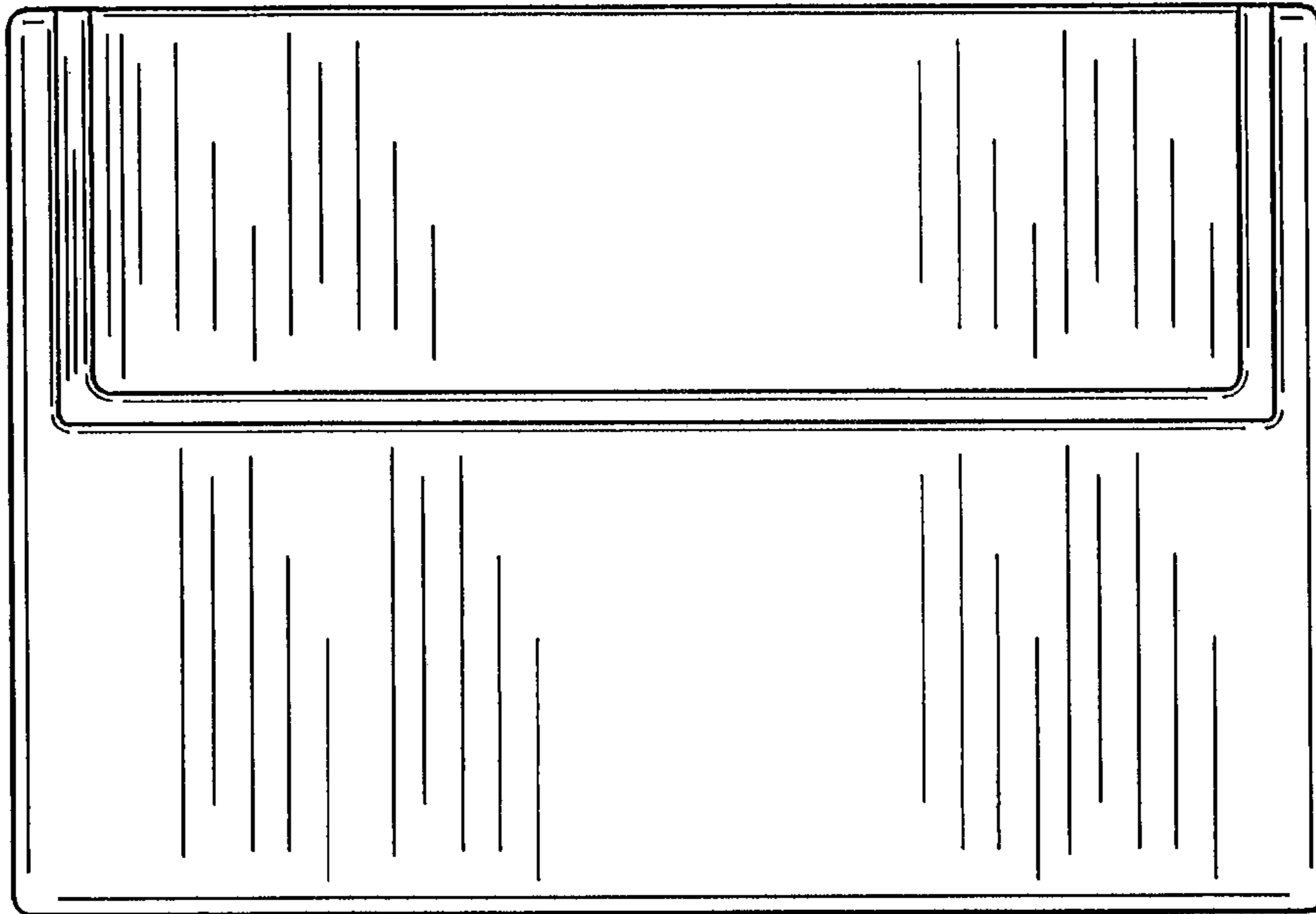


Fig. 4

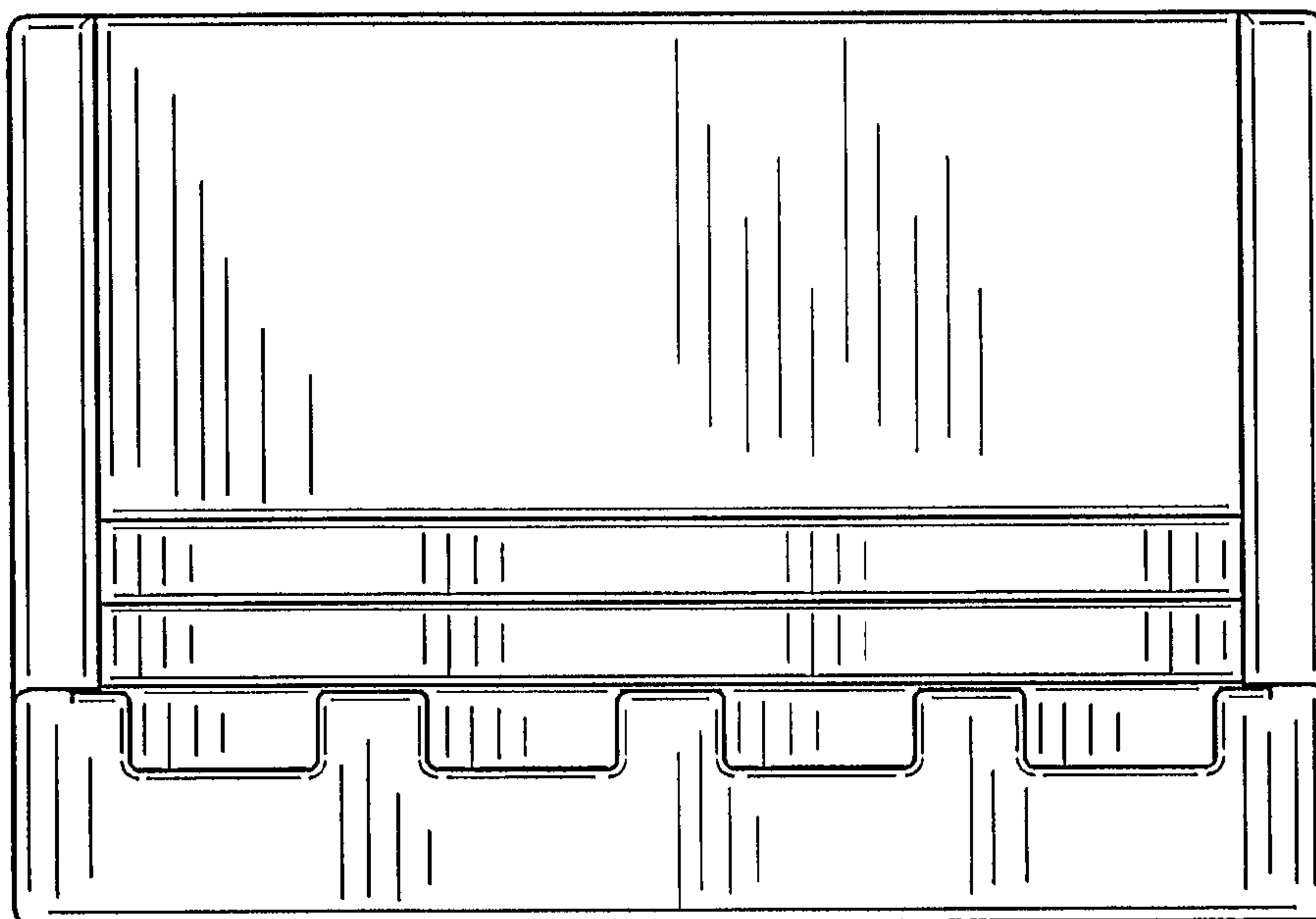


Fig. 5

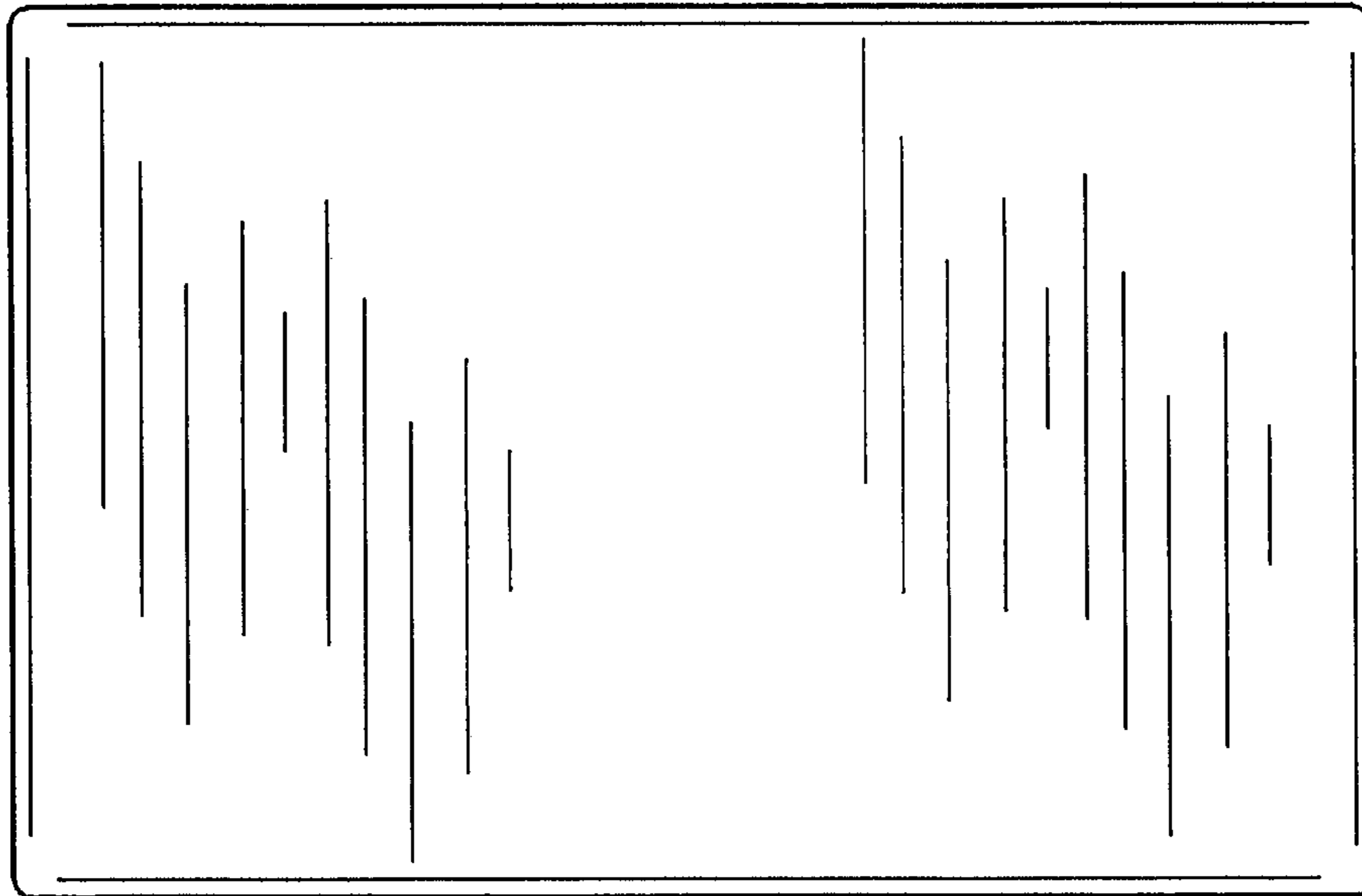


Fig. 6

