



US00D709715S

(12) **United States Design Patent**
Gatto

(10) **Patent No.:** **US D709,715 S**
(45) **Date of Patent:** **** Jul. 29, 2014**

(54) **PILLOW**

(71) Applicant: **Lauren Christi Gatto**, Johnson City, TN
(US)

(72) Inventor: **Lauren Christi Gatto**, Johnson City, TN
(US)

(73) Assignee: **Tempur-Pedic Management, LLC**,
Lexington, KY (US)

(**) Term: **14 Years**

(21) Appl. No.: **29/443,245**

(22) Filed: **Jan. 15, 2013**

(51) **LOC (10) Cl.** **06-09**

(52) **U.S. Cl.**
USPC **D6/606; D6/601; D5/46**

(58) **Field of Classification Search**
USPC **D6/595, 596, 601, 604; 5/630, 632,**
5/636, 648, 652-655, 655.3, 655.9, 656,
5/657.5, 417, 420, 646; D5/46, 58

See application file for complete search history.

(56) **References Cited**

U.S. PATENT DOCUMENTS

| | | | |
|----------------|---------|---------------------|-------|
| D20,185 S * | 10/1890 | Elmore | D5/46 |
| D63,423 S * | 12/1923 | Lord | D5/46 |
| D128,956 S * | 8/1941 | Cummings | D5/46 |
| 2,956,703 A * | 10/1960 | Royal | D5/46 |
| 6,196,156 B1 * | 3/2001 | Denesuk et al. | 5/636 |

* cited by examiner

Primary Examiner — Janice Seeger

(57) **CLAIM**

I claim the ornamental design for a pillow, as shown and described.

DESCRIPTION

FIG. 1 is an isometric view of a pillow according to an embodiment of the invention.

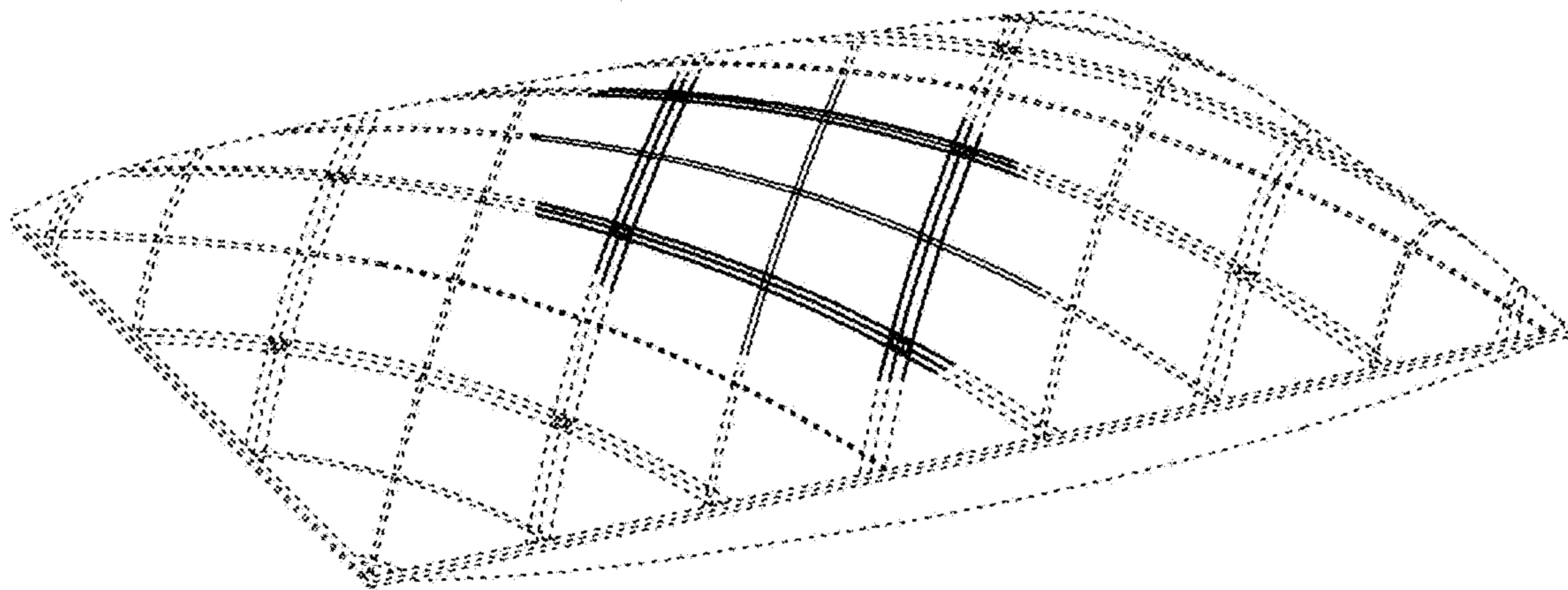
FIG. 2 is a top plan view of the pillow of FIG. 1.

FIG. 3 is a bottom view of the pillow of FIG. 1.

FIG. 4 is a perspective side view of the pillow of FIG. 1; and, FIG. 5 is a top plan view of the pillow of FIG. 1 showing the design without the environment.

The portions of the pillow shown in broken lines are included for the purpose of illustrating environment and form no part of the claimed design. The portions of the pillow shown in broken lines having unequal length segments illustrate the boundary of the claimed design and form no part of the claimed design.

1 Claim, 4 Drawing Sheets



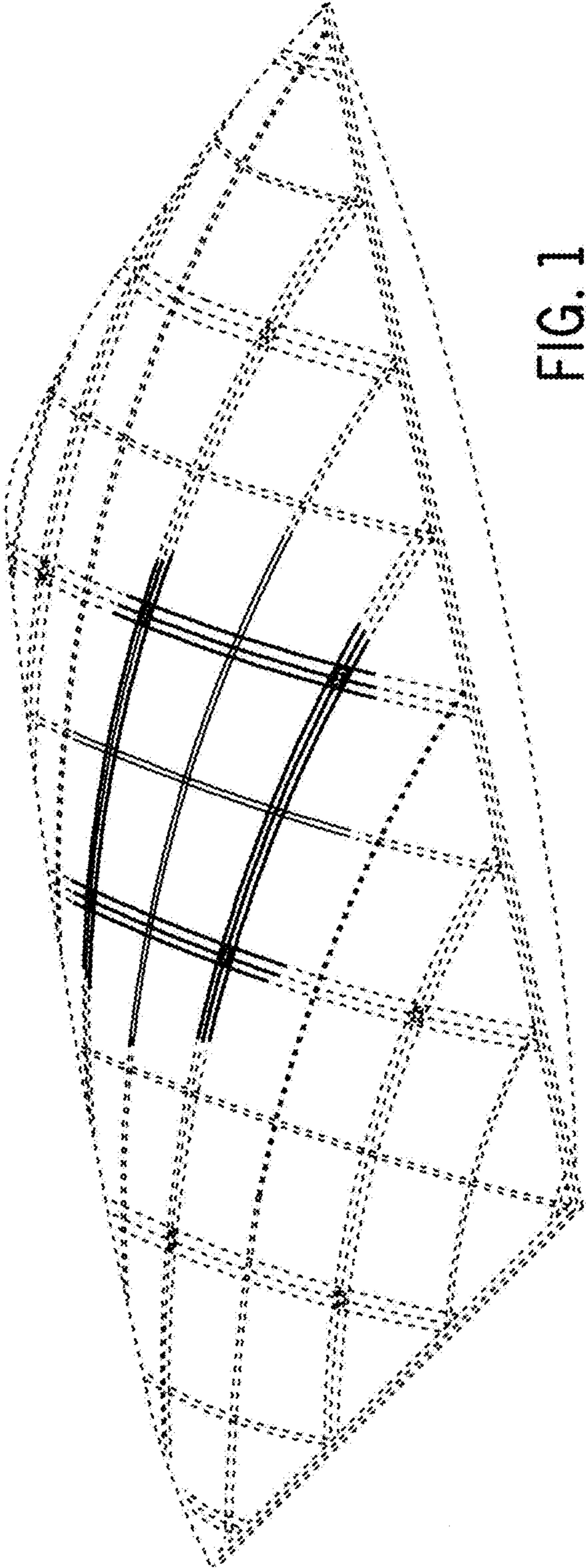


FIG. 1

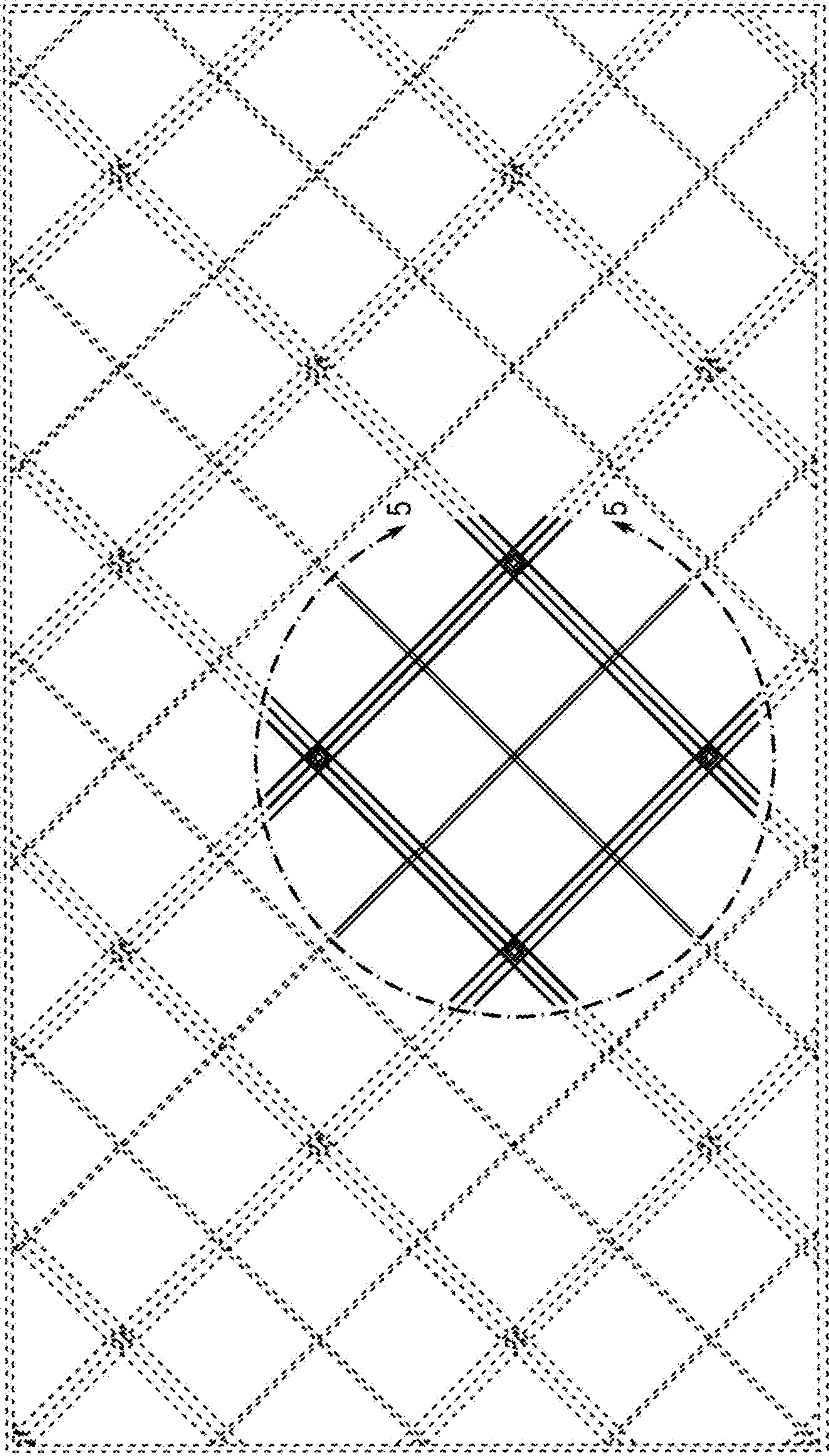


FIG. 2

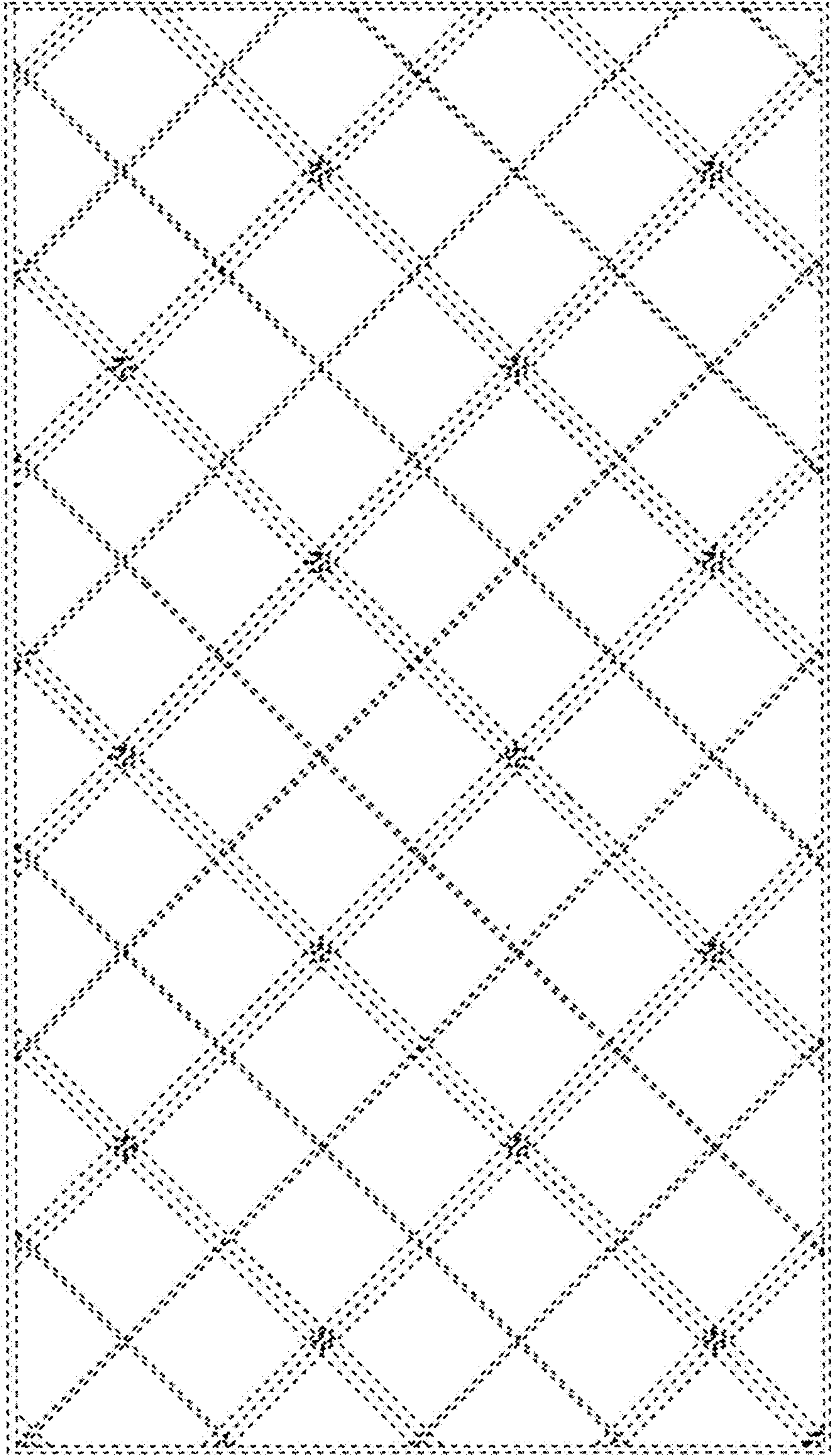


FIG. 3

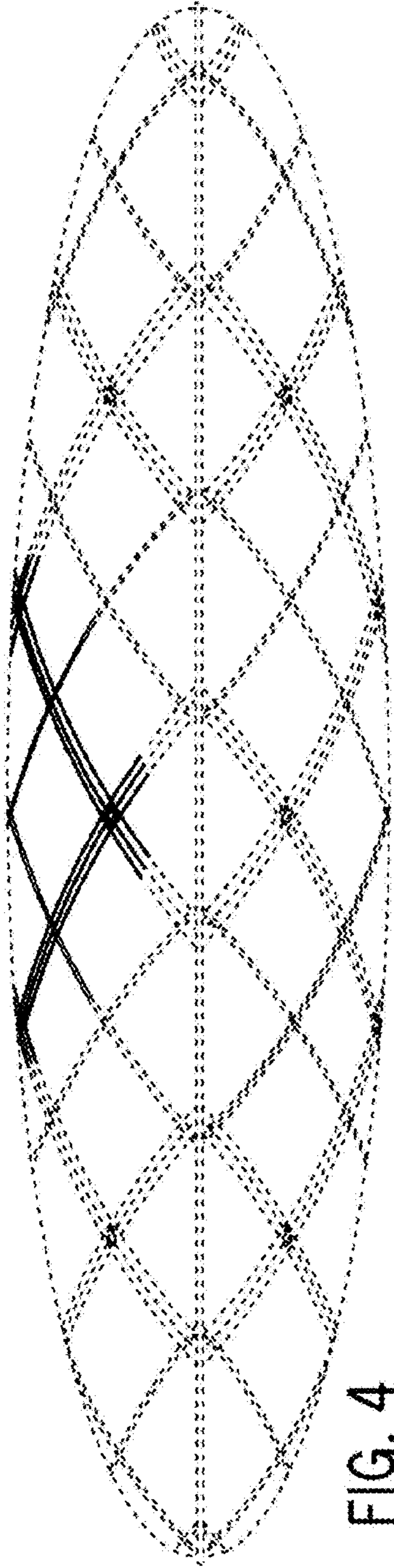


FIG. 4

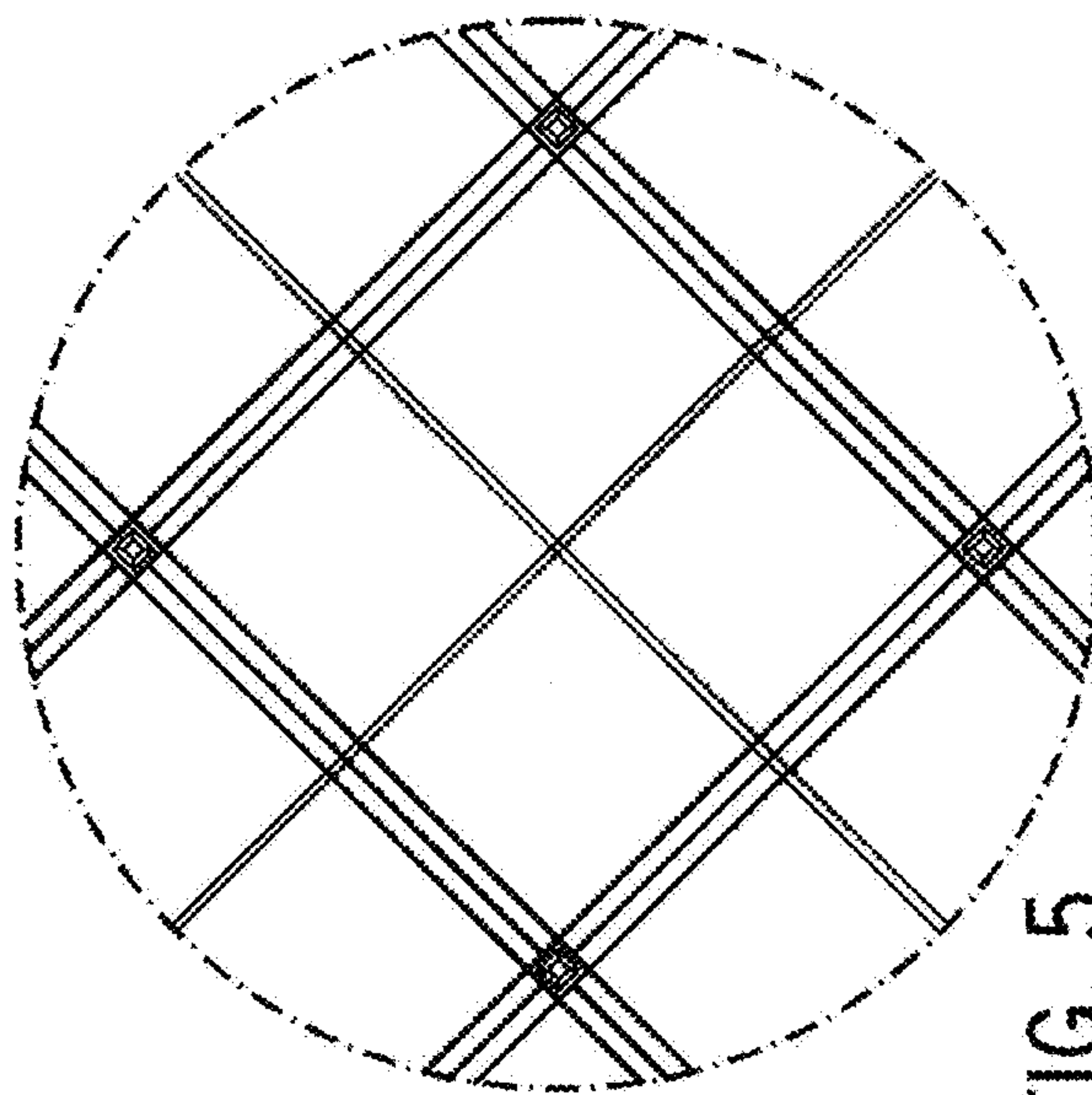


FIG. 5