



US00D709714S

(12) **United States Design Patent**
Graneto, III

(10) **Patent No.:** **US D709,714 S**
(45) **Date of Patent:** **** Jul. 29, 2014**

(54) **SUSPENSION MECHANISM FOR A CURTAIN**

(71) Applicant: **Joseph A. Graneto, III**, St. Charles, MO (US)

(72) Inventor: **Joseph A. Graneto, III**, St. Charles, MO (US)

(73) Assignee: **ICP Medical, LLC**, St. Louis, MO (US)

(**) Term: **14 Years**

(21) Appl. No.: **29/438,187**

(22) Filed: **Nov. 27, 2012**

Related U.S. Application Data

(63) Continuation of application No. 29/405,095, filed on Oct. 28, 2011, now Pat. No. Des. 671,783, and a continuation-in-part of application No. 12/396,824, filed on Mar. 3, 2009, and a continuation-in-part of application No. 12/773,511, filed on May 4, 2010, and a continuation-in-part of application No. 13/284,062, filed on Oct. 28, 2011.

(51) **LOC (10) Cl.** **06-10**

(52) **U.S. Cl.**
USPC **D6/580**

(58) **Field of Classification Search**

CPC A47H 1/00; A47H 13/00; A47H 13/02;
A47H 13/04; A47H 15/04; A47H 19/00;
A47H 13/01

USPC D6/580, 575, 576, 578; D8/367, 369,
D8/373; 4/609, 610; 16/87 R, 87.2, 87.4 R,
16/93 D, 94 R; 248/215, 261-265

See application file for complete search history.

(56) **References Cited**

U.S. PATENT DOCUMENTS

2,787,435 A * 4/1957 Shields 248/307
3,064,304 A * 11/1962 Weber 16/93 D

3,293,685 A * 12/1966 Rosenbaum 16/87.6 R
3,359,592 A * 12/1967 Saltz 16/93 D
7,788,769 B2 * 9/2010 Wicker et al. 16/87 R
D631,733 S * 2/2011 Bosgoed D8/377
7,937,808 B1 * 5/2011 Chuang 16/87.2
8,307,499 B2 * 11/2012 Ruffo et al. 16/87.2
8,408,275 B2 * 4/2013 DeWees et al. 160/330
2009/0288783 A1 * 11/2009 Graneto, III 160/341
2009/0288784 A1 * 11/2009 Graneto, III 160/341
2009/0288785 A1 * 11/2009 Graneto, III 160/341
2013/0145543 A1 * 6/2013 Cittadino et al. 4/610

* cited by examiner

Primary Examiner — Deanna L Pratt

Assistant Examiner — Lilyana Bekic

(74) *Attorney, Agent, or Firm* — Luedeka Neely Group, PC

(57) **CLAIM**

The ornamental design for a suspension mechanism for a curtain, as shown and described.

DESCRIPTION

FIG. 1 is a perspective view of suspension mechanism for a curtain in accordance with my new design;

FIG. 2 is a front elevation view thereof;

FIG. 3 is a rear elevation view thereof;

FIG. 4 is a right side elevation view thereof;

FIG. 5 is a left side elevation view thereof;

FIG. 6 is a top plan view thereof;

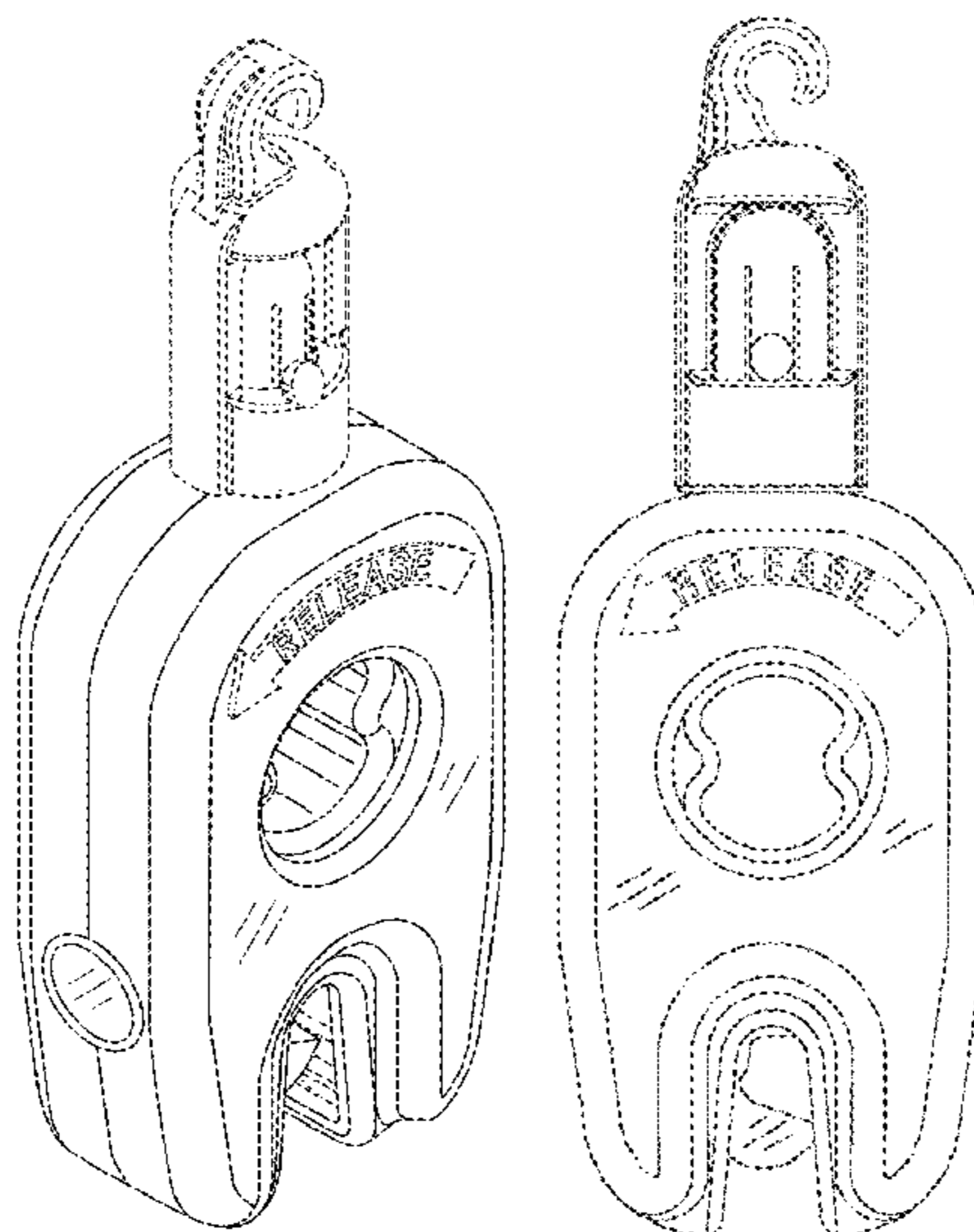
FIG. 7 is a bottom plan view thereof;

FIG. 8 is an exploded perspective view of the components of the suspension mechanism for a curtain of FIG. 1; and,

FIG. 9 is a perspective view illustrating multiple of the suspension mechanisms located between a curtain and a suspension rail.

The broken lines in the drawings illustrate portions of the suspension mechanism for a curtain which form no part of the claimed design. The broken lines in FIG. 9 also illustrate a curtain and suspension rail which form no part of the claimed design.

1 Claim, 9 Drawing Sheets



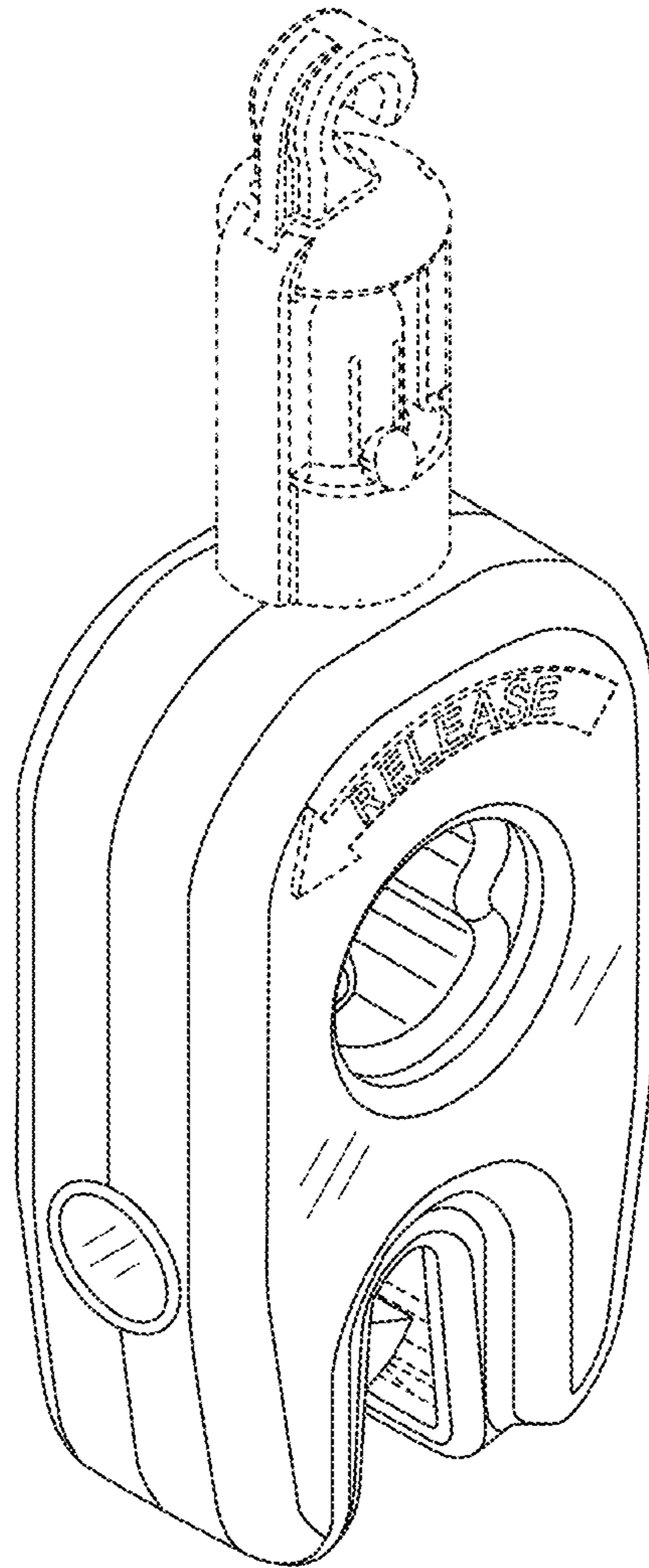


FIG. 1

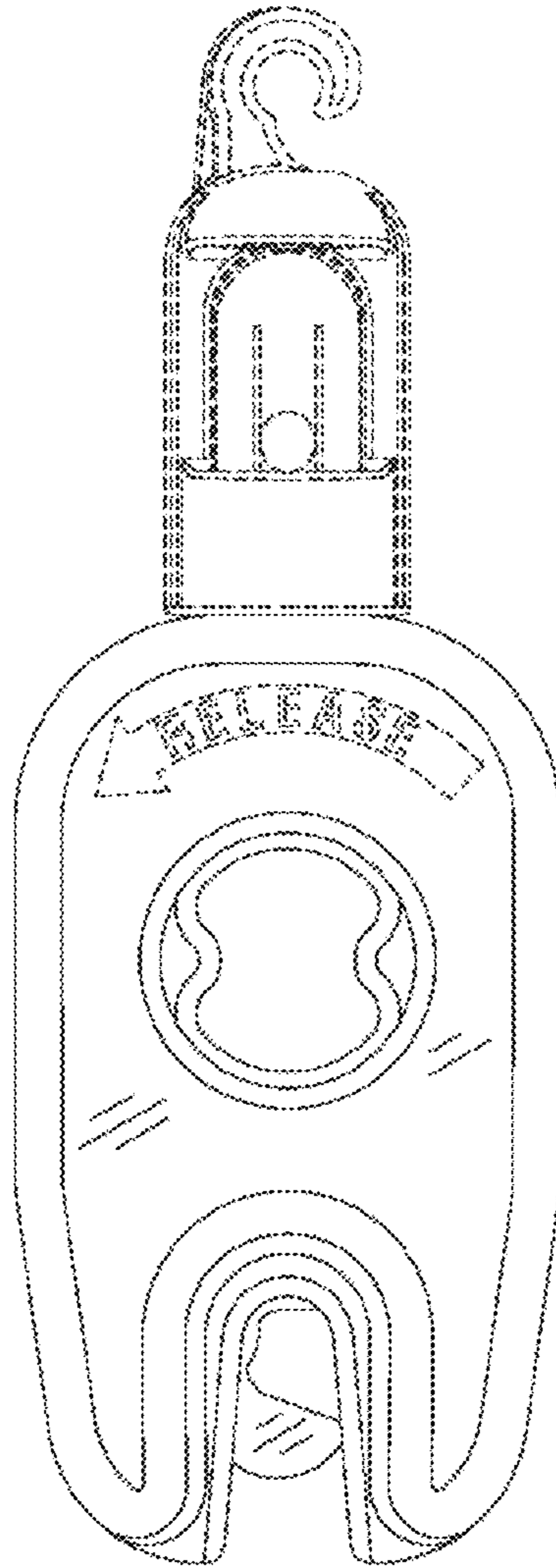


FIG. 2

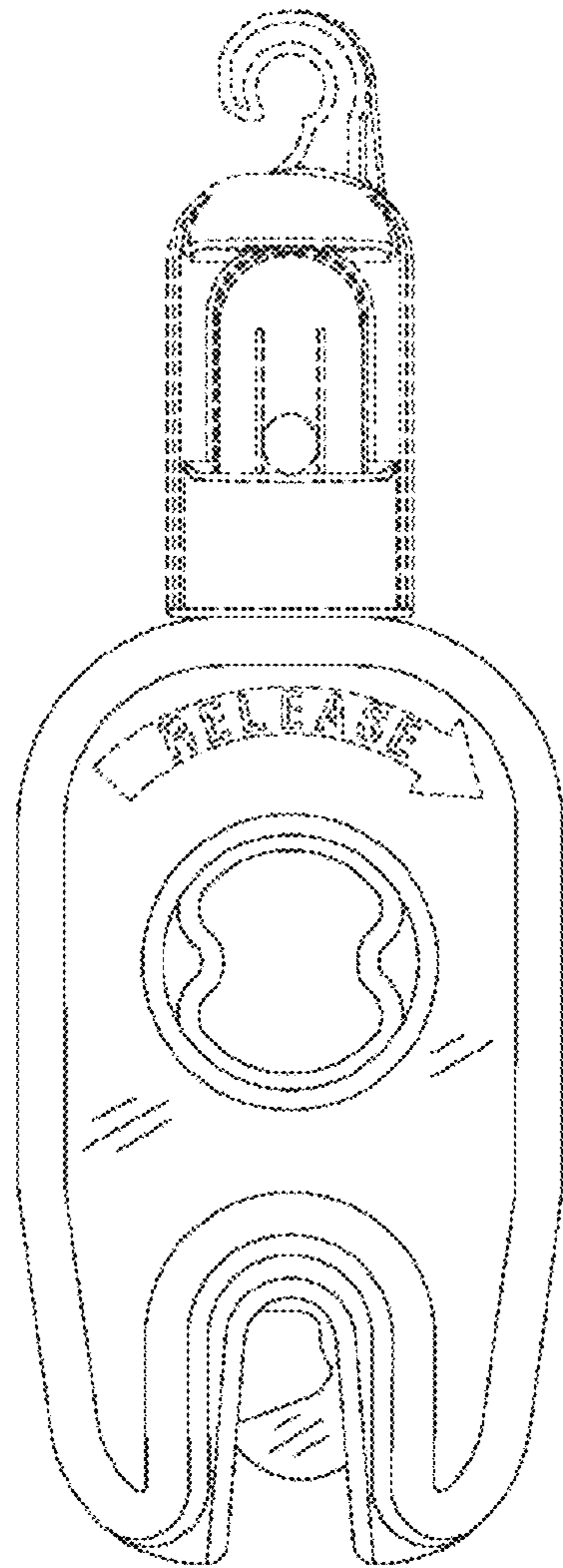


FIG. 3

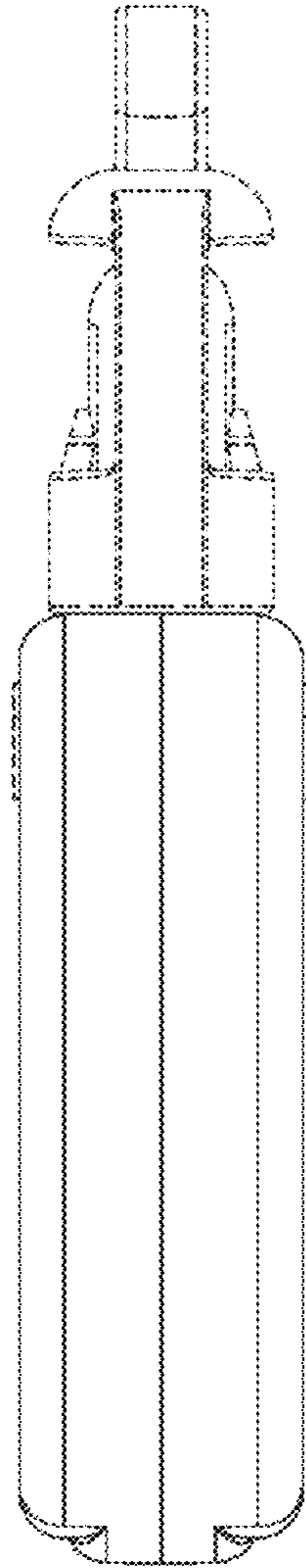


FIG. 4

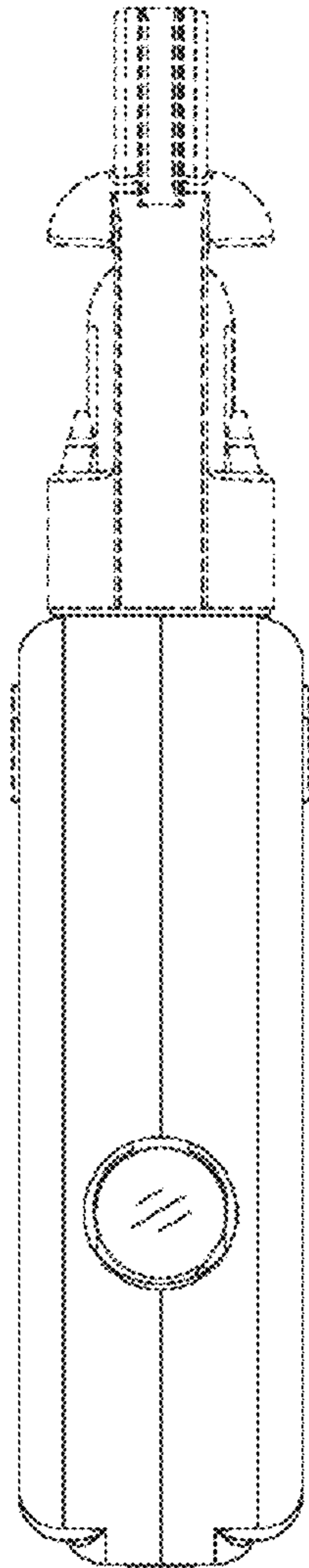


FIG. 5

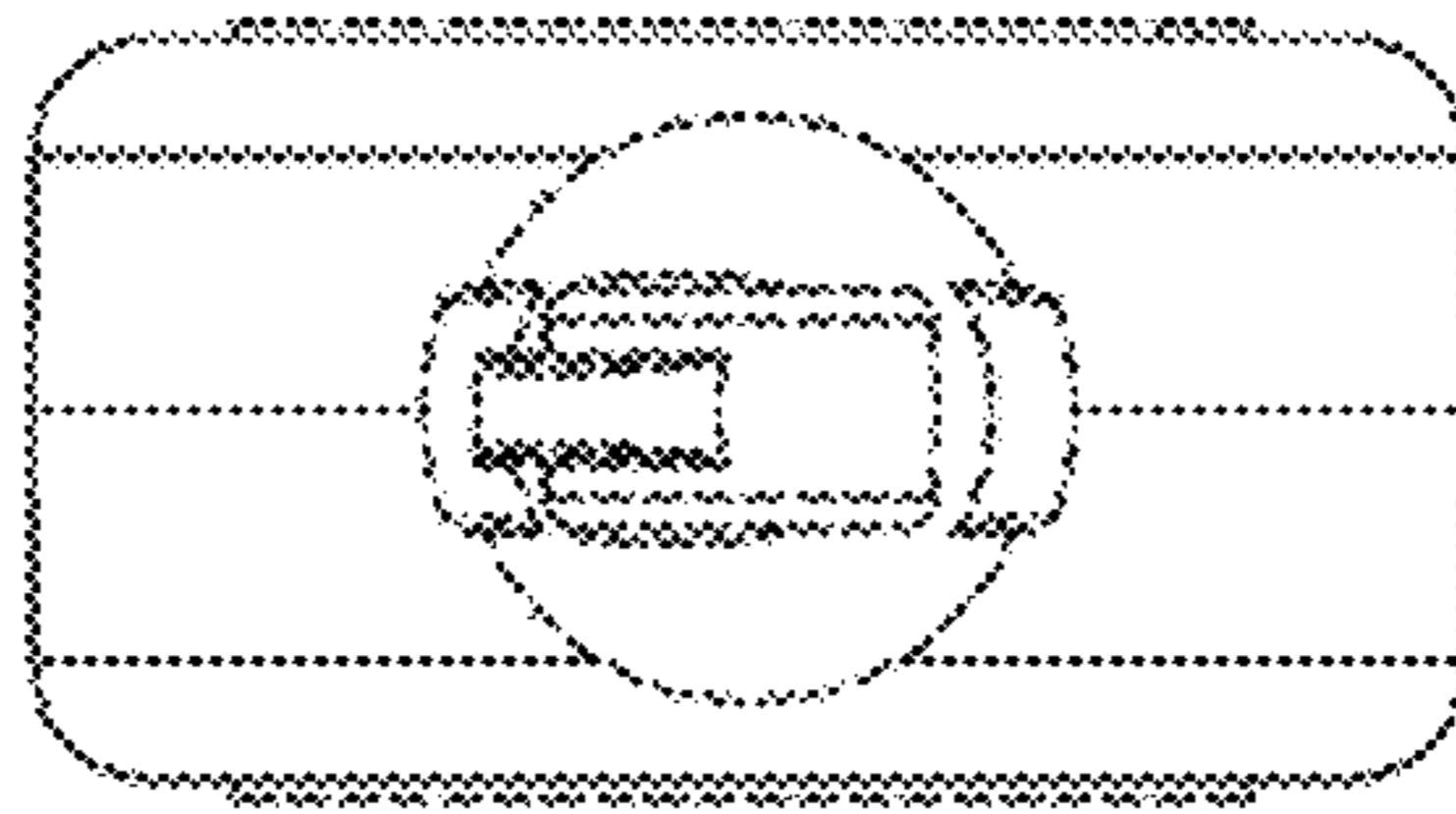


FIG. 6

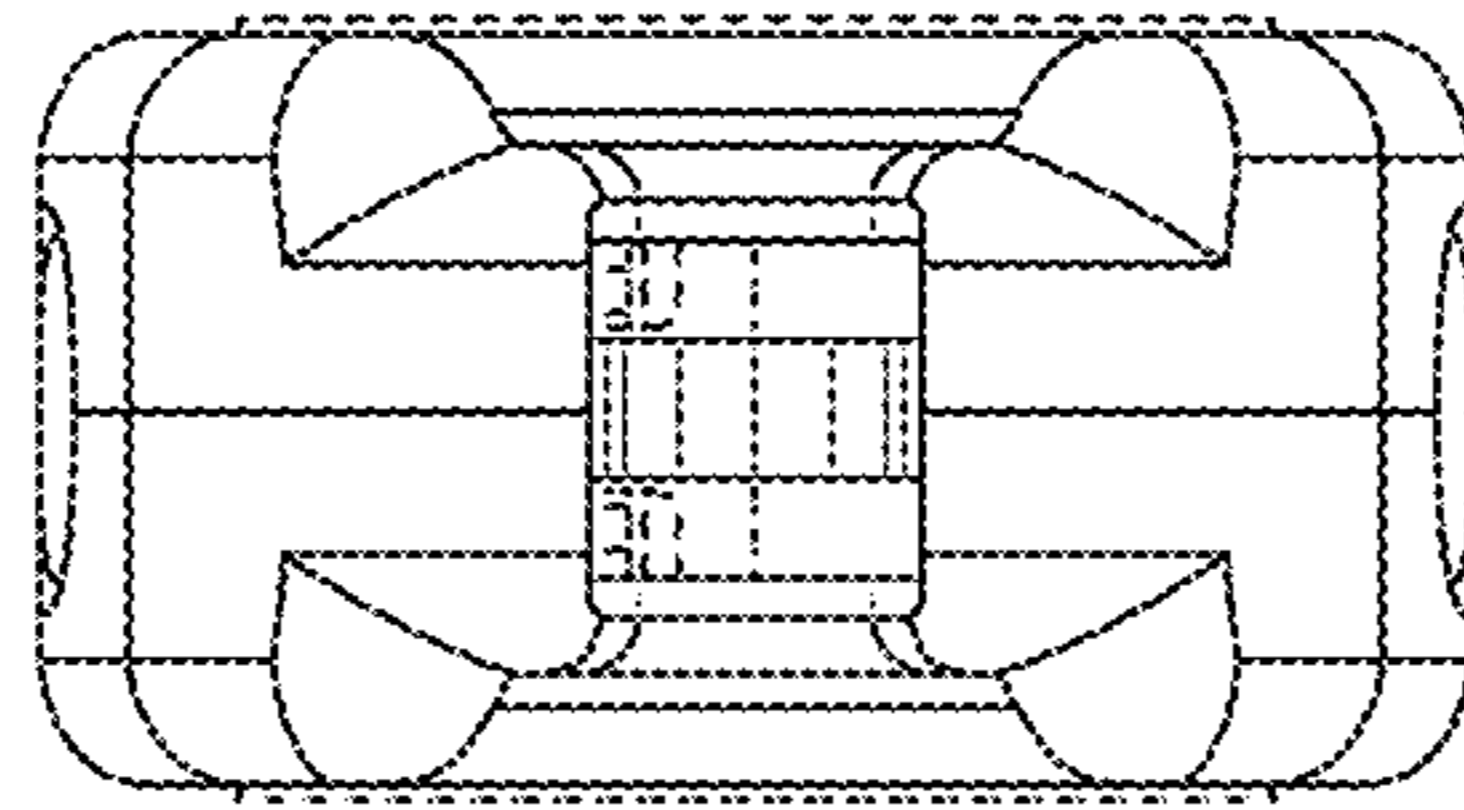


FIG. 7

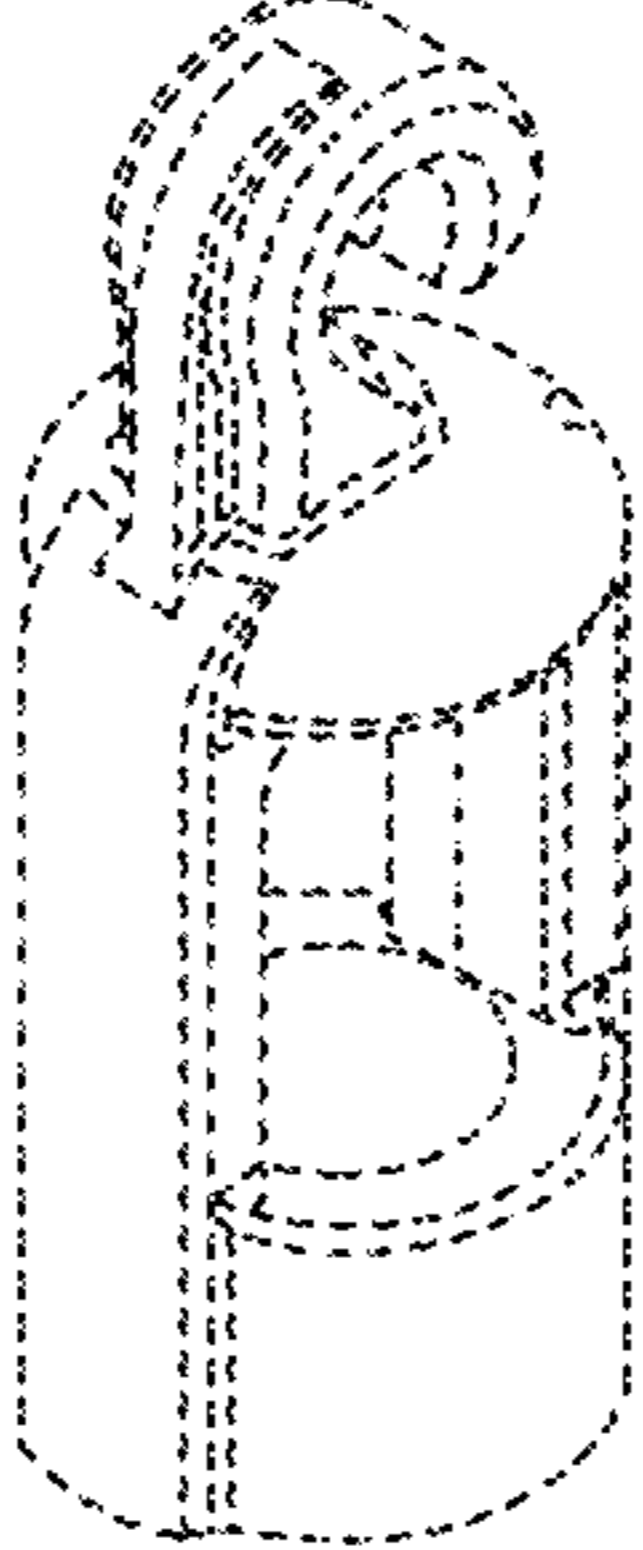
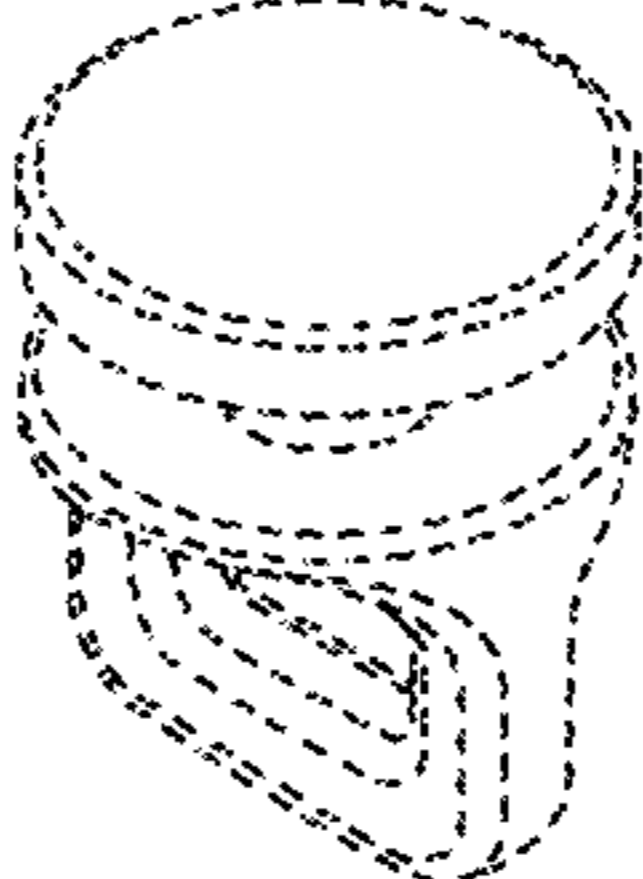
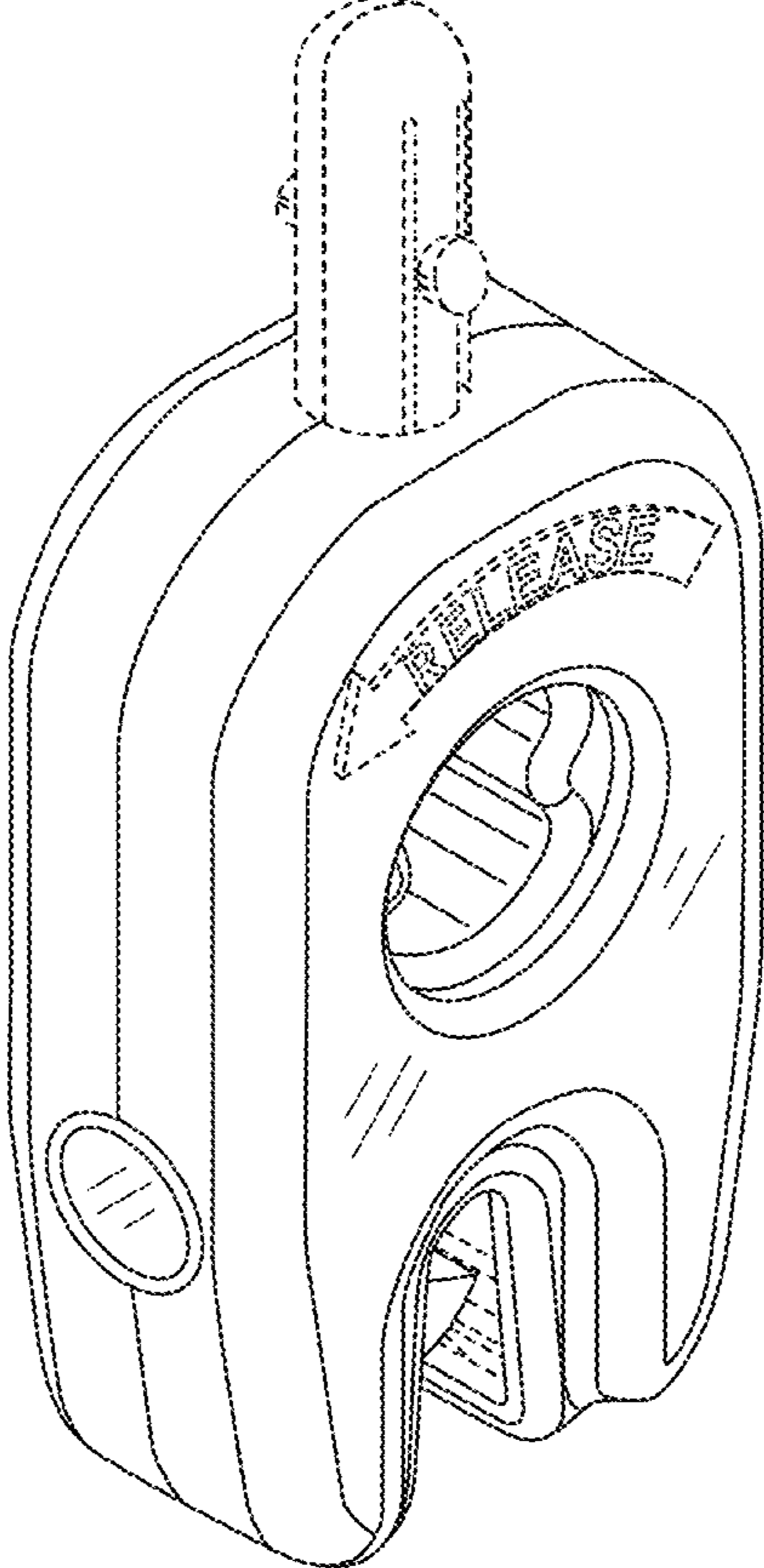


FIG. 8



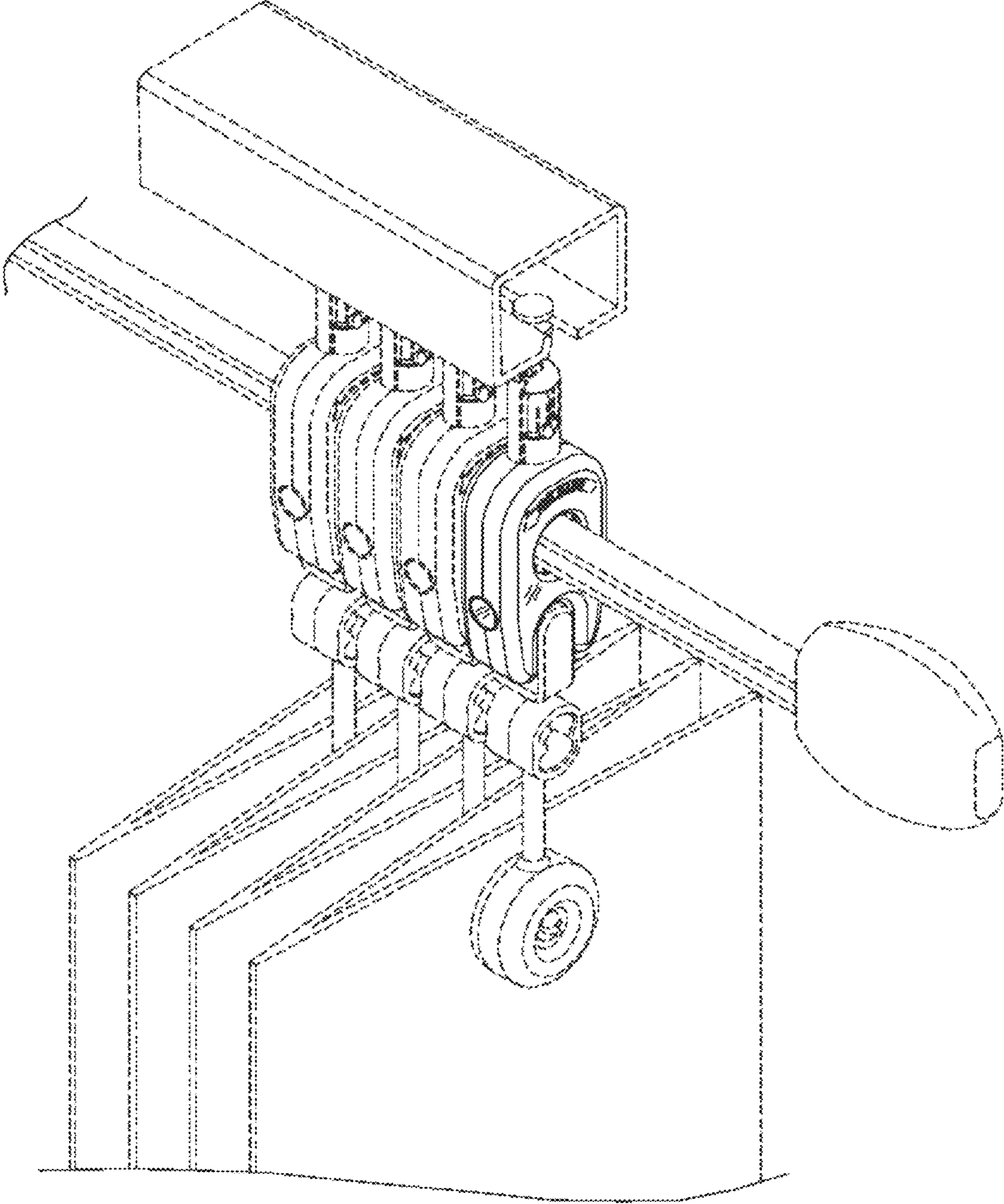


FIG. 9