



US00D709713S

(12) **United States Design Patent**
Yang et al.

(10) **Patent No.:** **US D709,713 S**
(45) **Date of Patent:** **** Jul. 29, 2014**

(54) **TOILET BRUSH AND HOUSING ASSEMBLY**

(56) **References Cited**

(71) Applicant: **Simplehuman LLC**, Torrance, CA (US)

U.S. PATENT DOCUMENTS

(72) Inventors: **Frank Yang**, Rancho Palos Verdes, CA (US); **Di-Fong Chang**, Torrance, CA (US); **Myk Lum**, Irvine, CA (US); **Adam Wade**, Rancho Santa Margarita, CA (US); **Ken Sugimoto**, Irvine, CA (US)

| | | | |
|----------------|---------|-----------------------|---------|
| D272,874 S * | 3/1984 | Cohen | D6/551 |
| D297,292 S * | 8/1988 | Plymale | D6/551 |
| D464,515 S * | 10/2002 | Katz et al. | D6/551 |
| D482,920 S * | 12/2003 | Libman et al. | D6/551 |
| D491,404 S * | 6/2004 | Dotterman et al. | D6/551 |
| D515,858 S * | 2/2006 | Hay | D6/524 |
| 7,044,299 B2 * | 5/2006 | Nagoya | 206/361 |
| D547,987 S * | 8/2007 | Yang et al. | D6/524 |
| D630,034 S * | 1/2011 | Raven | D6/524 |
| D690,959 S * | 10/2013 | Yang et al. | D6/524 |

(73) Assignee: **Simplehuman LLC**, Torrance, CA (US)

* cited by examiner

(**) Term: **14 Years**

Primary Examiner — Brian N Vinson

(21) Appl. No.: **29/447,320**

(74) *Attorney, Agent, or Firm* — Liu & Liu

(22) Filed: **Mar. 1, 2013**

(57) **CLAIM**

The ornamental design for a toilet brush and housing assembly, as shown and described.

Related U.S. Application Data

DESCRIPTION

(63) Continuation-in-part of application No. 29/415,442, filed on Mar. 9, 2012, now Pat. No. Des. 690,959, and a continuation-in-part of application No. 13/744,406, filed on Jan. 17, 2013.

FIG. 1 is a front perspective view of the toilet brush and housing assembly showing the new design;

(51) **LOC (10) Cl.** **23-02**

FIG. 2 is a front view thereof;

(52) **U.S. Cl.**

FIG. 3 is a rear view thereof;

USPC **D6/524**

FIG. 4 is a right side view thereof (the left side view is a mirror image thereof);

(58) **Field of Classification Search**

USPC D6/524, 525, 551; 206/207, 349, 361; 312/206, 207; 4/255.05, 255.11

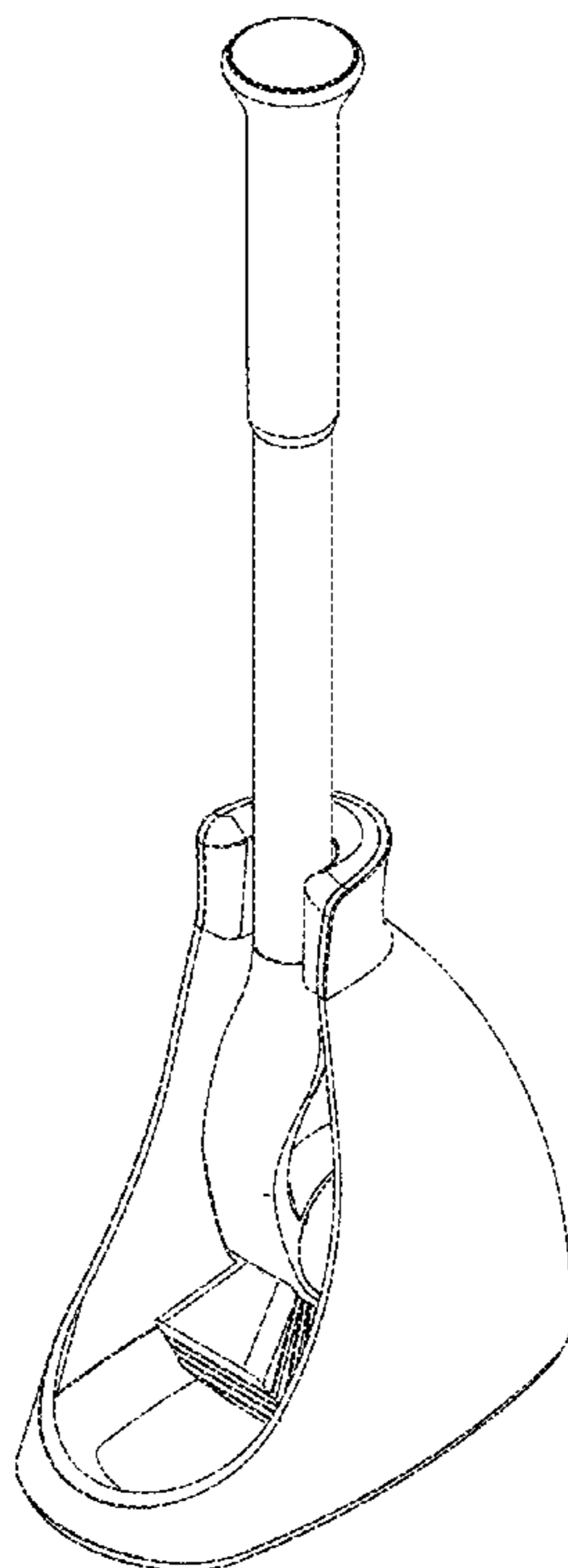
FIG. 5 is a top plan view thereof;

FIG. 6 is a bottom plan view thereof; and,

FIG. 7 is a front perspective view of the toilet brush, with the housing depicted in broken lines so as not to obscure the portion of the toilet brush supported therein.

See application file for complete search history.

1 Claim, 7 Drawing Sheets



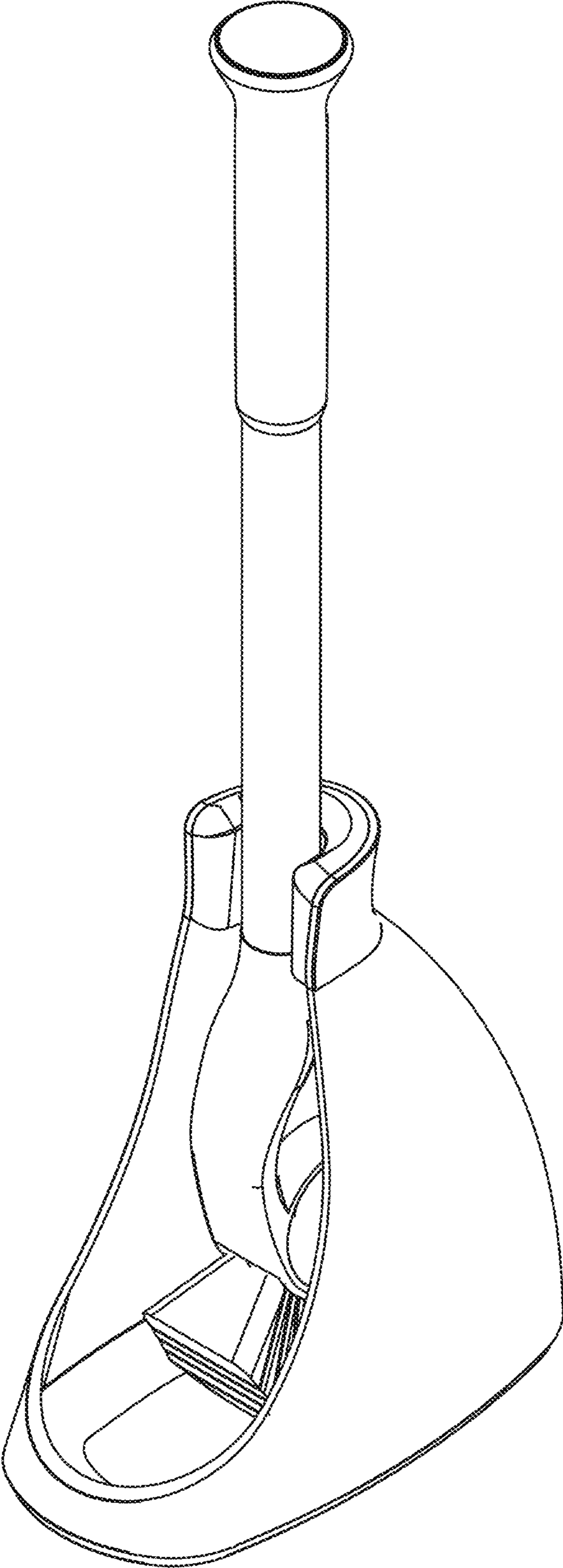


FIG. 1

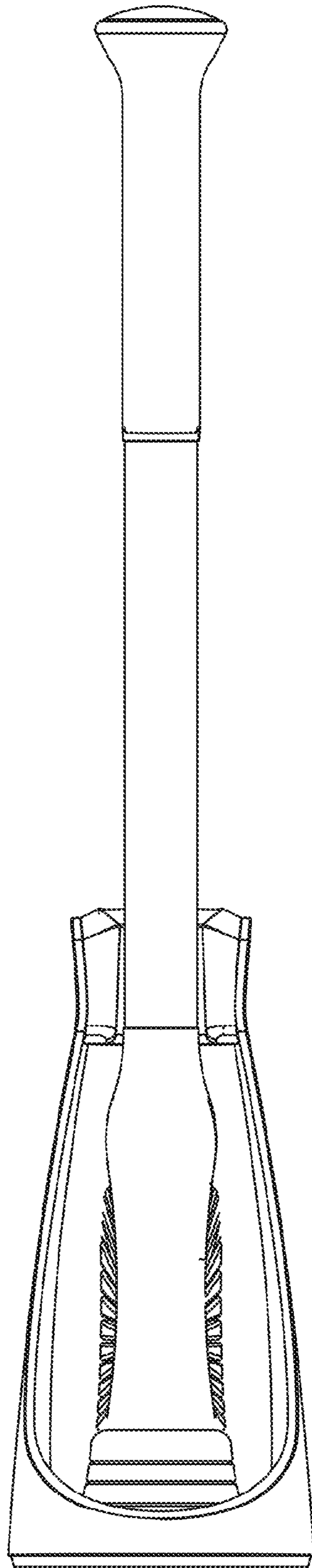


FIG. 2

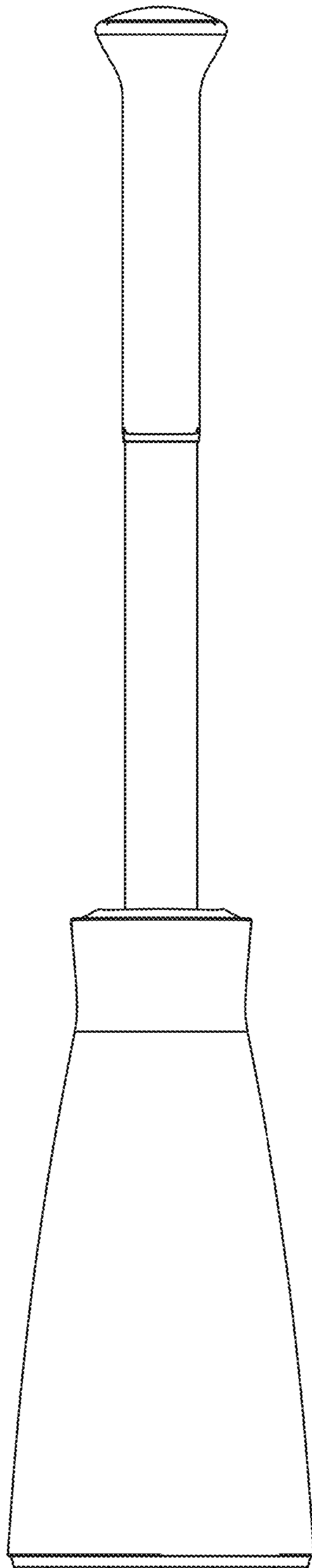


FIG. 3

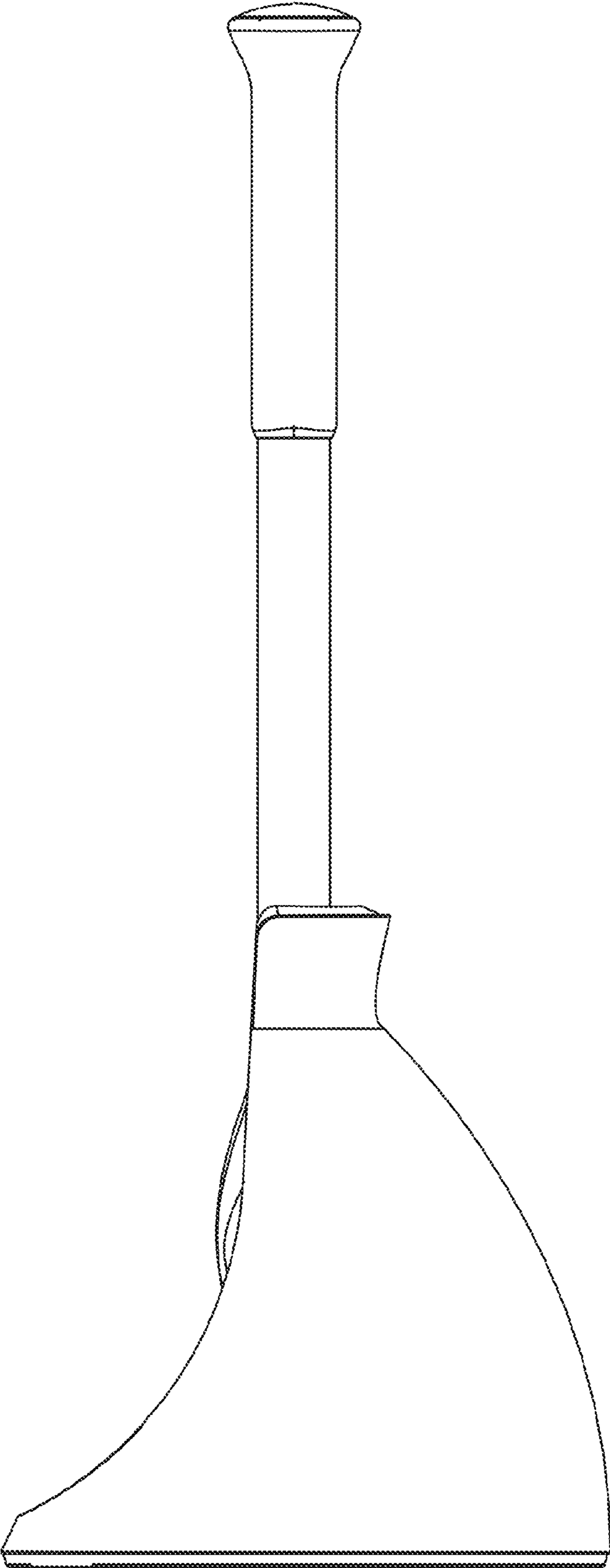


FIG. 4

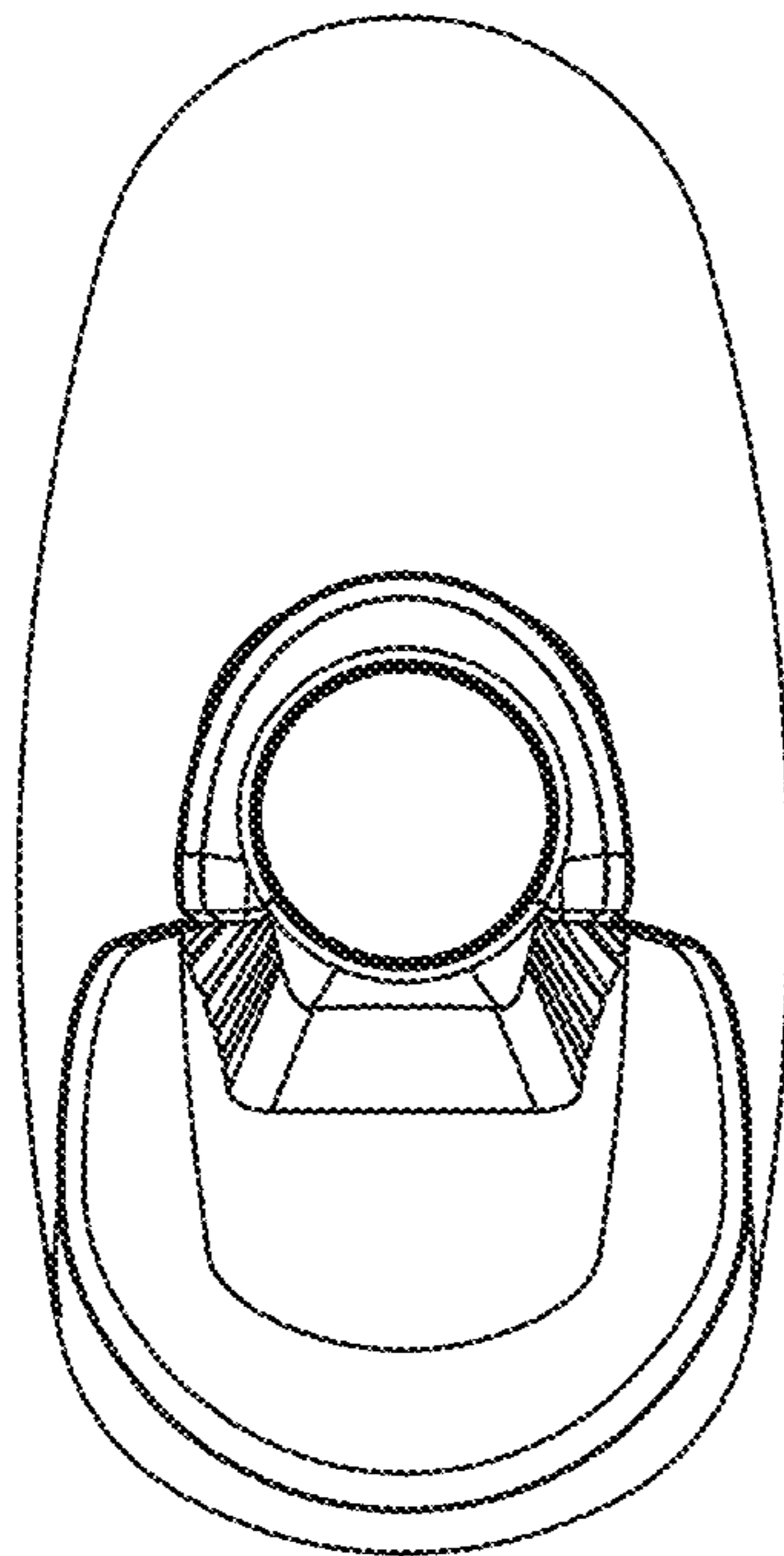


FIG. 5

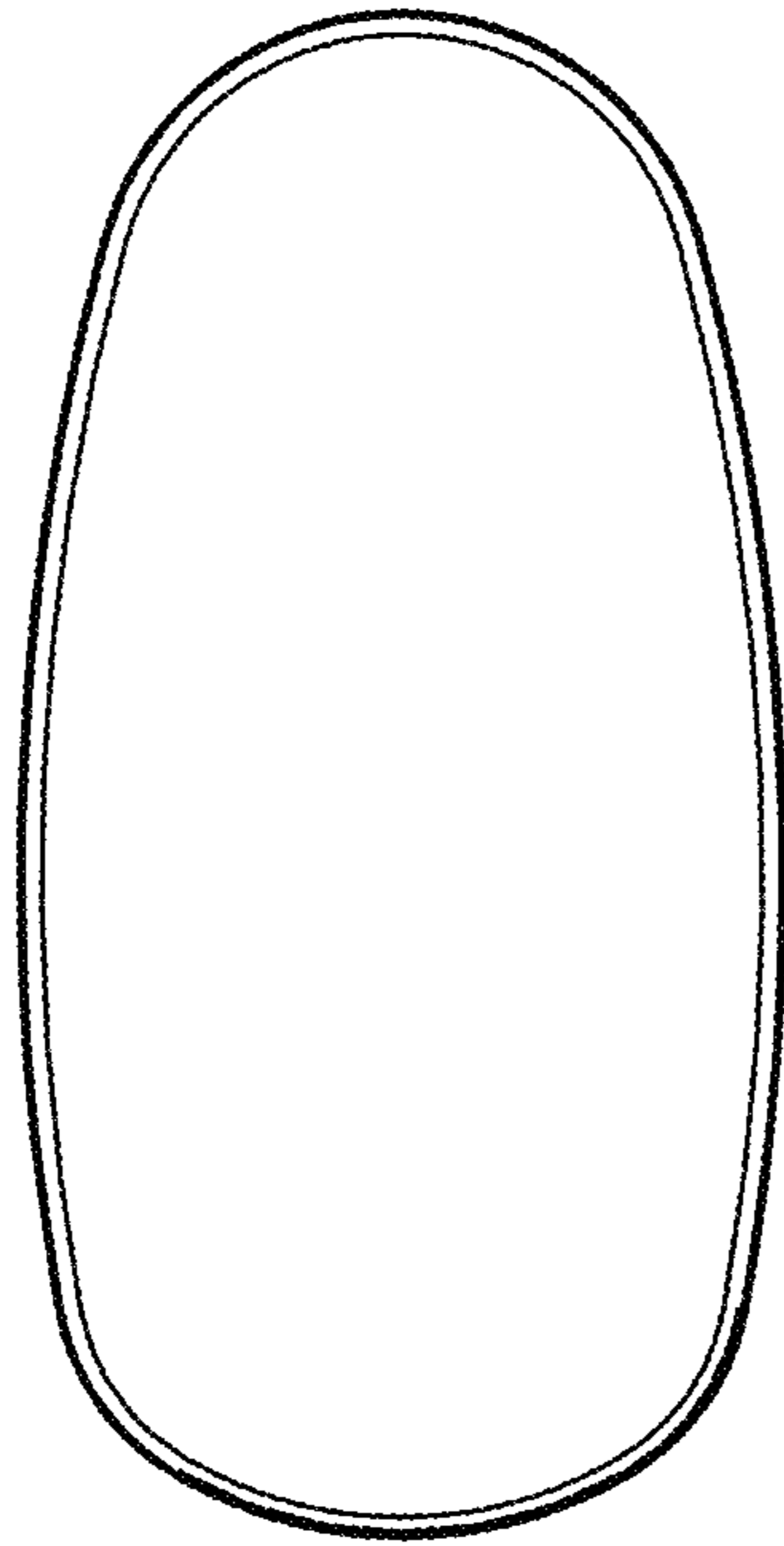


FIG. 6

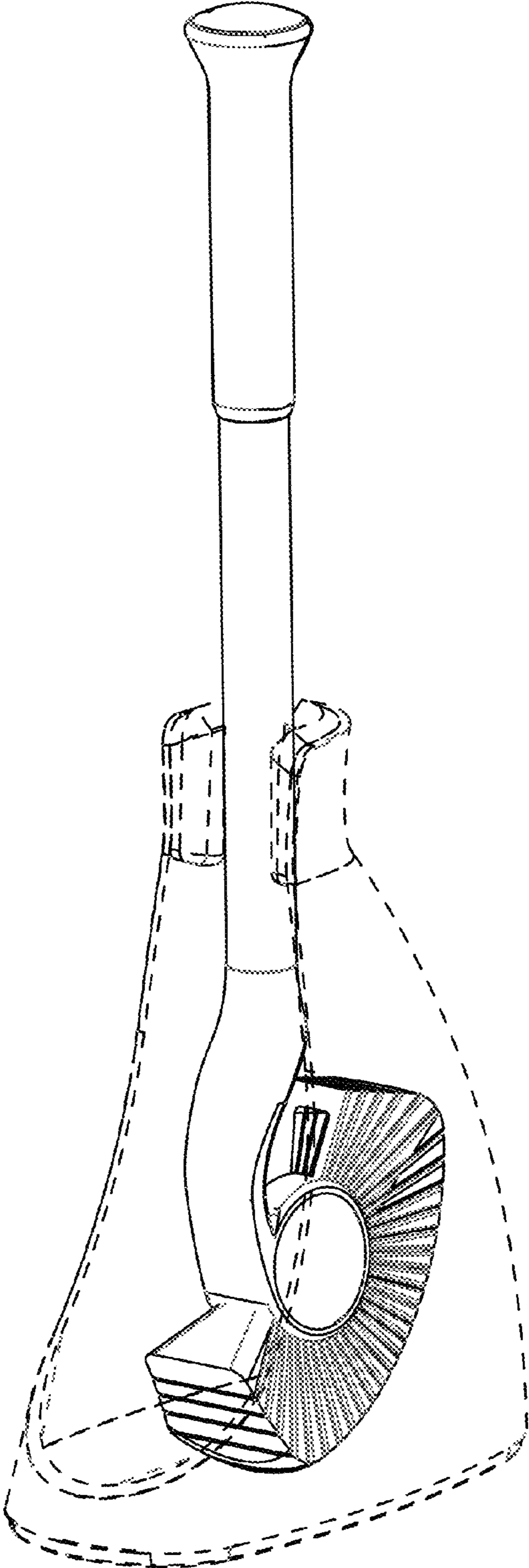


FIG. 7