



US00D709712S

(12) **United States Design Patent**  
**Jehs et al.**

(10) **Patent No.:** **US D709,712 S**  
(45) **Date of Patent:** **\*\* Jul. 29, 2014**

(54) **PIECE OF SEATING FURNITURE**  
(71) Applicant: **Wilkhahn Wilkening + Hahne GmbH & Co.,** Bad Munder (DE)  
(72) Inventors: **Markus Jehs,** Stuttgart (DE); **Jurgen Laub,** Stuttgart (DE)  
(73) Assignee: **Wilkhahn Wilkening + Hahne GmbH & Co.** (DE)  
(\*\*) Term: **14 Years**

D337,450 S *	7/1993	Dettinger .....	D6/381
D382,129 S *	8/1997	Lewis .....	D6/381
D423,808 S *	5/2000	Natuzzi et al. ....	D6/381
D429,081 S *	8/2000	Gomez .....	D6/381
D432,807 S *	10/2000	Gollinucci .....	D6/381
D439,431 S *	3/2001	Binder et al. ....	D6/381
D448,946 S *	10/2001	Goetz .....	D6/381
D467,090 S *	12/2002	Bauchet .....	D6/381
D467,092 S *	12/2002	Vu .....	D6/381
D554,387 S *	11/2007	Nicoletti .....	D6/381
D589,714 S *	4/2009	Cazares et al. ....	D6/381
D597,759 S *	8/2009	Natuzzi .....	D6/381
D603,620 S *	11/2009	Natuzzi .....	D6/381
D608,106 S *	1/2010	Natuzzi .....	D6/381

(21) Appl. No.: **29/452,399**

\* cited by examiner

(22) Filed: **Apr. 16, 2013**

*Primary Examiner* — Sandra Snapp

(30) **Foreign Application Priority Data**

(74) *Attorney, Agent, or Firm* — Renner Kenner Greive  
Bobak Taylor & Weber

Dec. 20, 2012 (EP) ..... 002156786

(51) **LOC (10) Cl.** ..... **06-01**

(52) **U.S. Cl.**  
USPC ..... **D6/381**

(58) **Field of Classification Search**  
USPC ..... D6/334–338, 349, 355, 361, 368–370,  
D6/376, 379–381, 492, 500–502, 601, 716,  
D6/716.1, 716.4, 377; 297/16.1, 42, 94,  
297/135, 175, 232, 233, 350, 351, 445.1,  
297/448.1, 448.2, 451.9; 5/12.1, 12.2  
See application file for complete search history.

(57) **CLAIM**

The ornamental design for a piece of seating furniture, as shown and described.

(56) **References Cited**

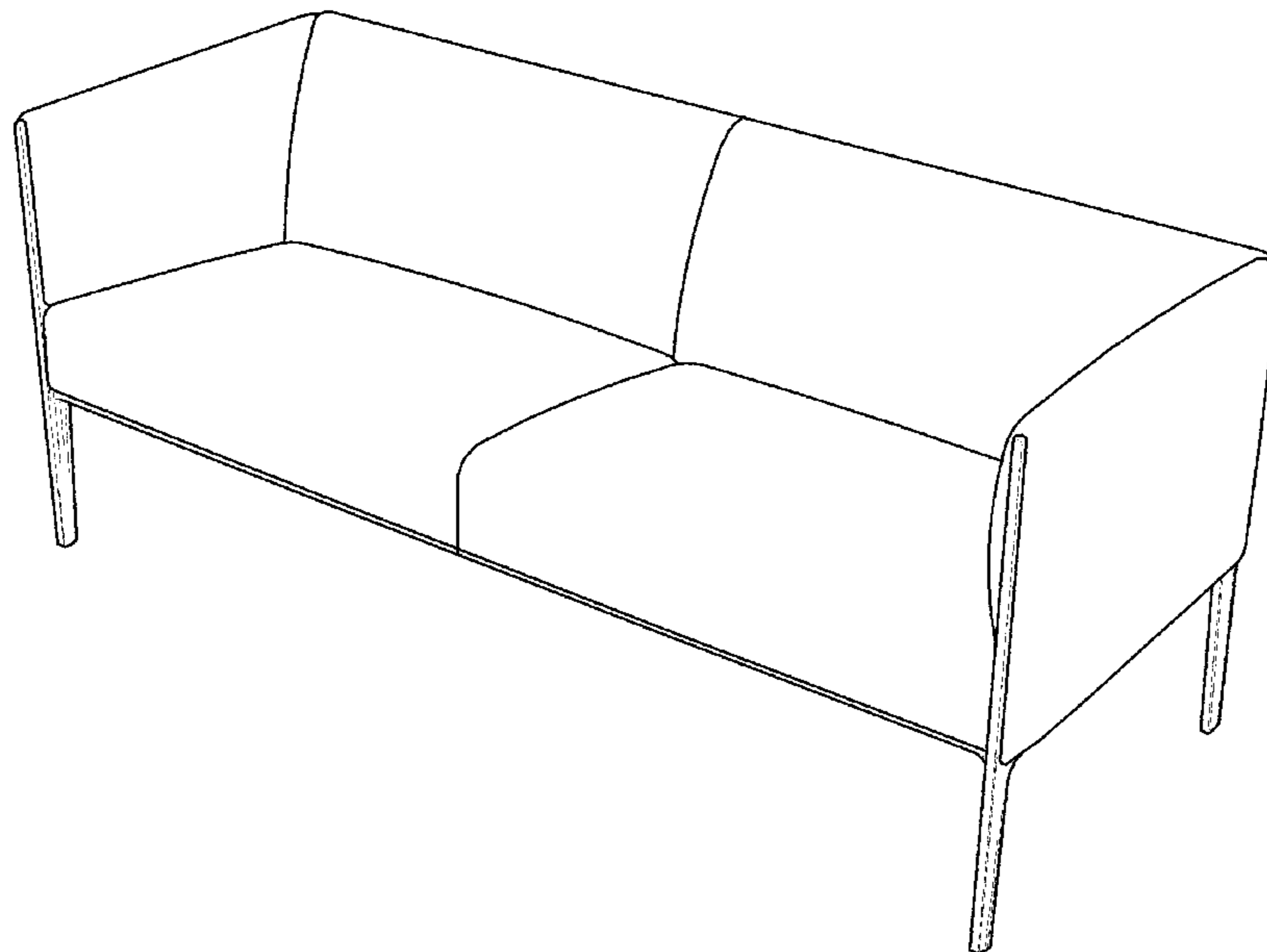
U.S. PATENT DOCUMENTS

D103,416 S *	3/1937	Tyrrell .....	D6/381
D283,275 S *	4/1986	Culler .....	D6/371

**DESCRIPTION**

FIG. 1 is a perspective view of a piece of seating furniture embodying the concepts of the present design invention;  
FIG. 2 is a top plan view of the piece of seating furniture of FIG. 1;  
FIG. 3 is a front elevational view of the piece of seating furniture of FIG. 1; and,  
FIG. 4 is a left side elevational view of the piece of seating furniture of FIG. 1, wherein the right side is the mirror image thereof.

**1 Claim, 4 Drawing Sheets**



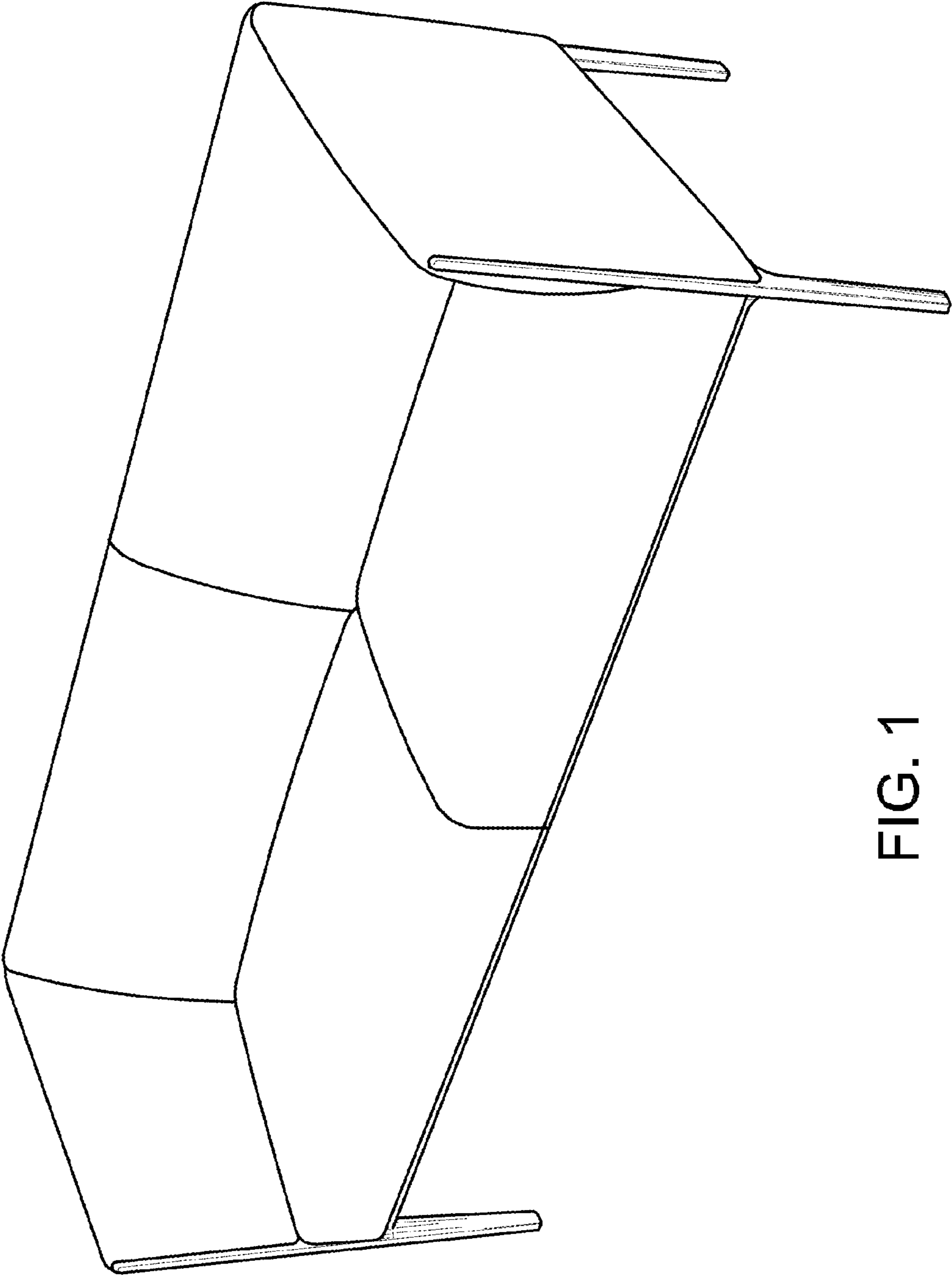


FIG. 1

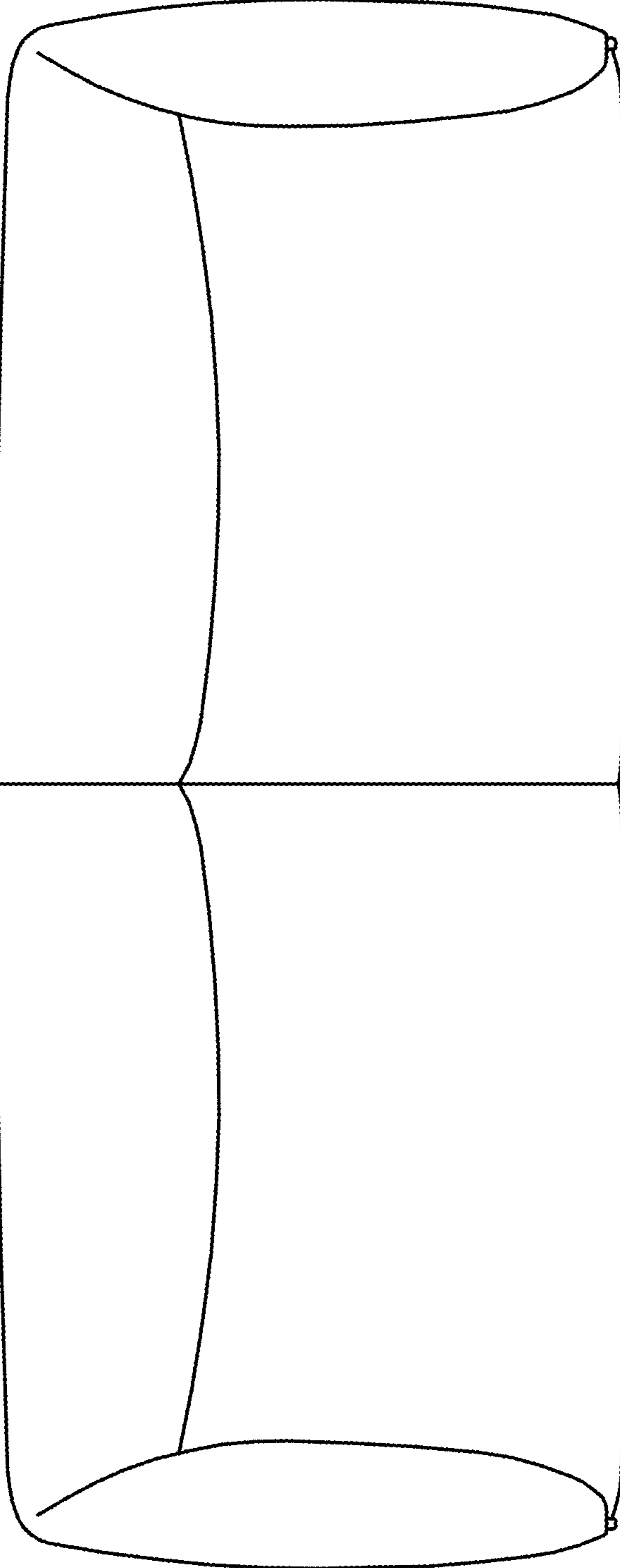


FIG. 2

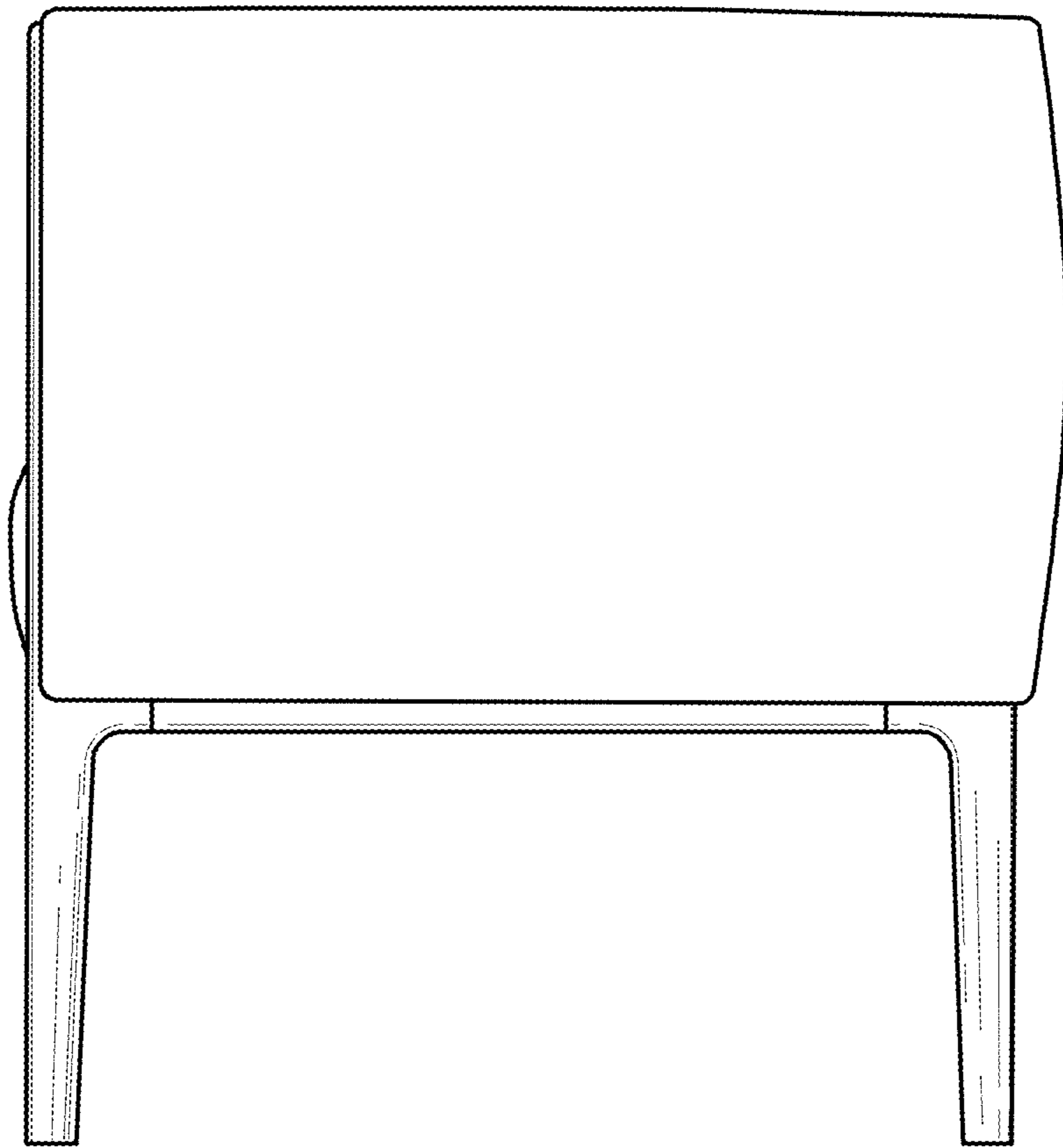


FIG. 3

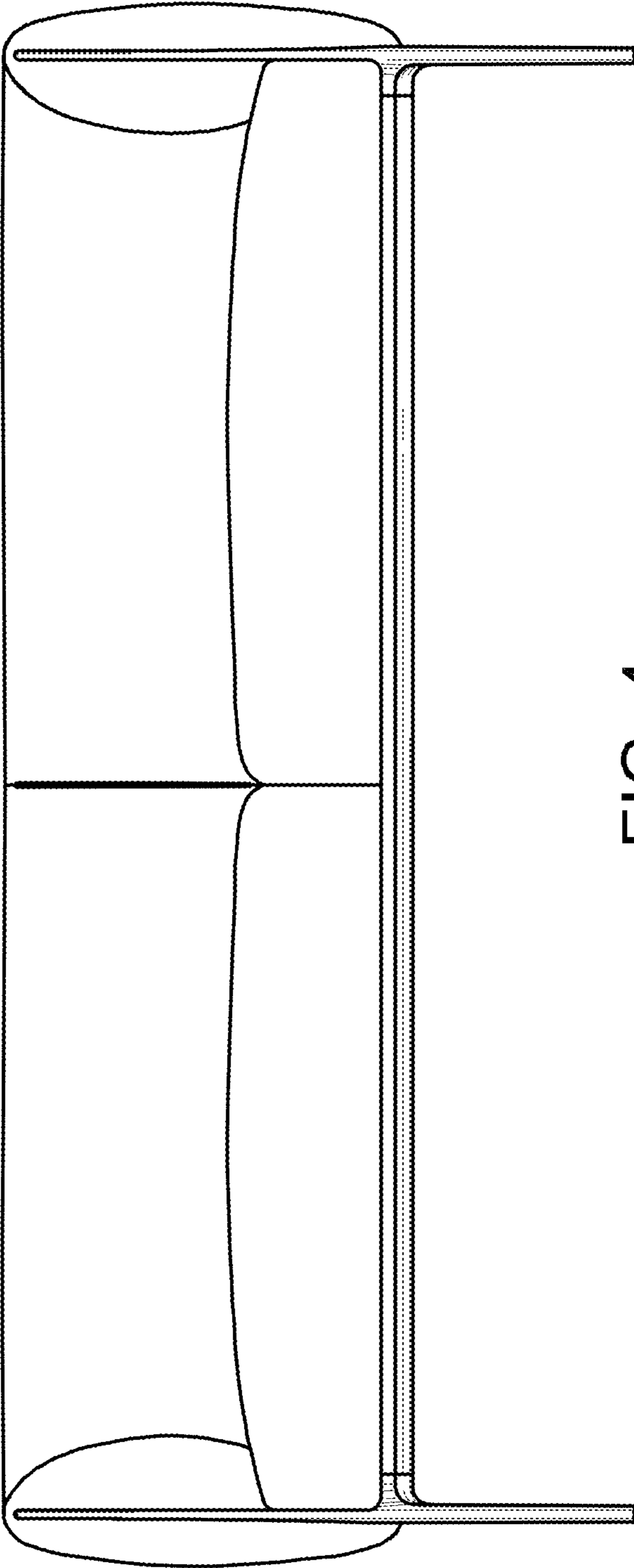


FIG. 4