



US00D709708S

(12) **United States Design Patent**
Tseng

(10) **Patent No.:** **US D709,708 S**
(45) **Date of Patent:** **** Jul. 29, 2014**

(54) **FOLDING CHAIR**

(71) Applicant: **Taiwan Shin Yeh Enterprise Co., Ltd.,**
Chiayi Hsien (TW)

(72) Inventor: **Chuen-Jong Tseng,** Chiayi Hsien (TW)

(73) Assignee: **Taiwan Shin Yeh Enterprise Co., Ltd.,**
Chiayi Hsien (TW)

(**) Term: **14 Years**

(21) Appl. No.: **29/441,837**

(22) Filed: **Jan. 10, 2013**

(51) **LOC (10) Cl.** **06-01**

(52) **U.S. Cl.**
USPC **D6/368**

(58) **Field of Classification Search**
CPC A47C 1/14; A47C 3/16-3/20; A47C 4/00;
A47C 4/28; A47C 5/02; A47C 7/02; A47C
9/00; A47C 9/002; A47C 9/007; A47C 9/025;
A47C 11/00; A47C 12/00; A47C 13/00;
A47C 16/02

USPC D6/335, 344, 347, 349-355, 358, 360,
D6/363-365, 367-370, 685, 687, 688, 690,
D6/691-691.6, 692, 694, 716-716.7

See application file for complete search history.

(56) **References Cited**

U.S. PATENT DOCUMENTS

D171,265 S * 1/1954 Phillips D6/375
2,930,430 A * 3/1960 Bloom 297/271.6
3,180,685 A * 4/1965 Rogalski et al. 297/440.24

D239,746 S * 5/1976 Narduzzi D6/368
D292,048 S * 9/1987 Shaffer D6/363
6,877,814 B2 * 4/2005 Lin 297/440.24
D507,891 S * 8/2005 Eyman et al. D6/344
7,000,983 B1 * 2/2006 Tsai 297/56
7,011,372 B1 * 3/2006 Hsieh 297/440.24
7,144,078 B2 * 12/2006 Hsieh 297/16.1
7,178,864 B2 * 2/2007 Hsieh 297/45
D554,873 S * 11/2007 Ma D6/349
D555,378 S * 11/2007 Tsai D6/368
7,404,601 B2 * 7/2008 Chen 297/16.2
D649,800 S * 12/2011 Lievore et al. D6/373
D656,326 S * 3/2012 Soewondo D6/348
D688,057 S * 8/2013 Christakos D6/368
D702,449 S * 4/2014 Puotiniemi D6/347
2005/0088018 A1 * 4/2005 Yao 297/16.1

* cited by examiner

Primary Examiner — Susan Bennett Hattan

Assistant Examiner — Vy Koenig

(74) *Attorney, Agent, or Firm* — Trop, Pruner & Hu, P.C.

(57) **CLAIM**

The ornamental design for folding chair, as shown and described.

DESCRIPTION

FIG. 1 is a perspective view of folding chair showing my new design;

FIG. 2 is a front elevational view thereof;

FIG. 3 is a rear elevational view thereof;

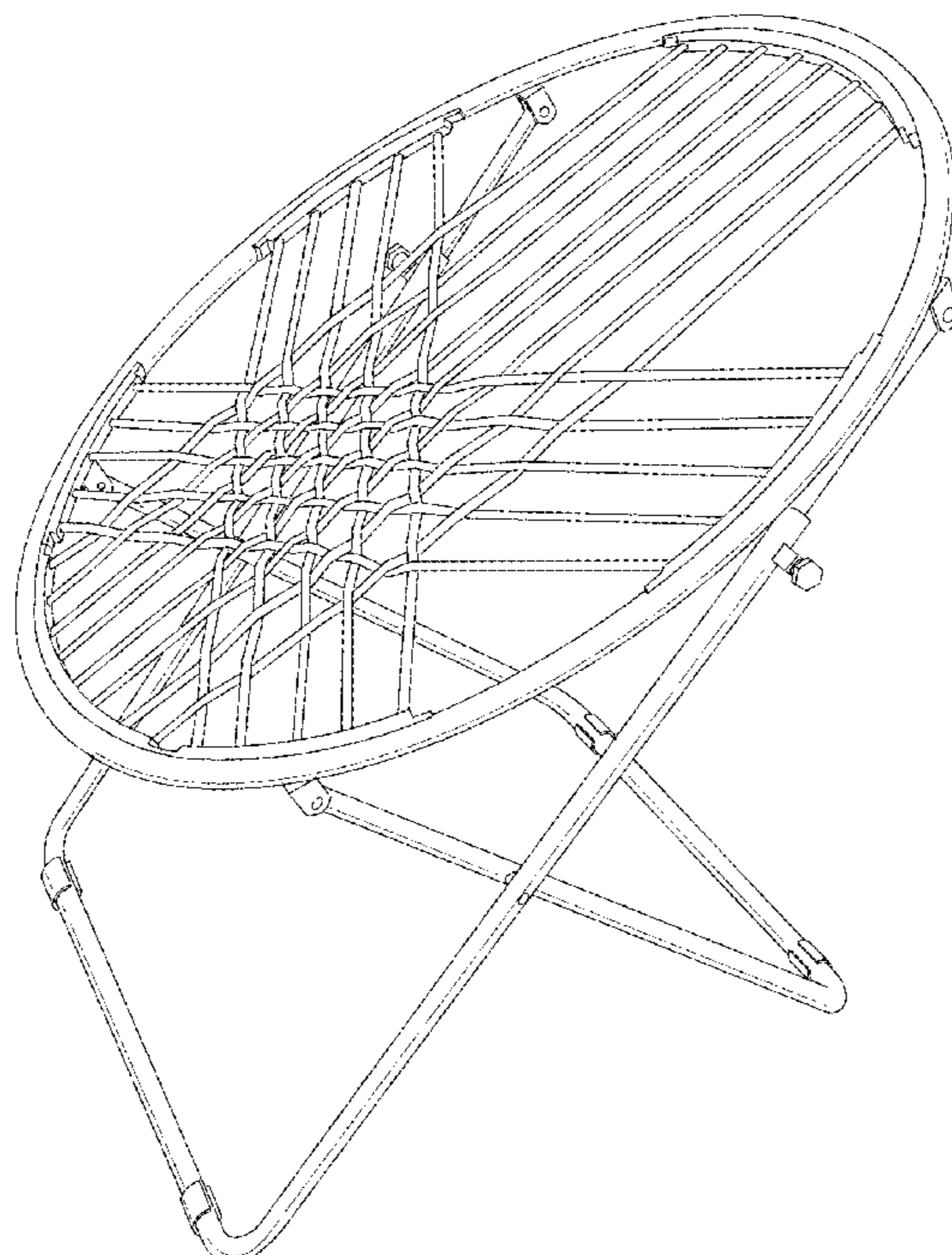
FIG. 4 is a left side elevational view thereof;

FIG. 5 is a right side elevational view thereof;

FIG. 6 is a top plan view thereof; and,

FIG. 7 is a bottom plan view thereof.

1 Claim, 5 Drawing Sheets



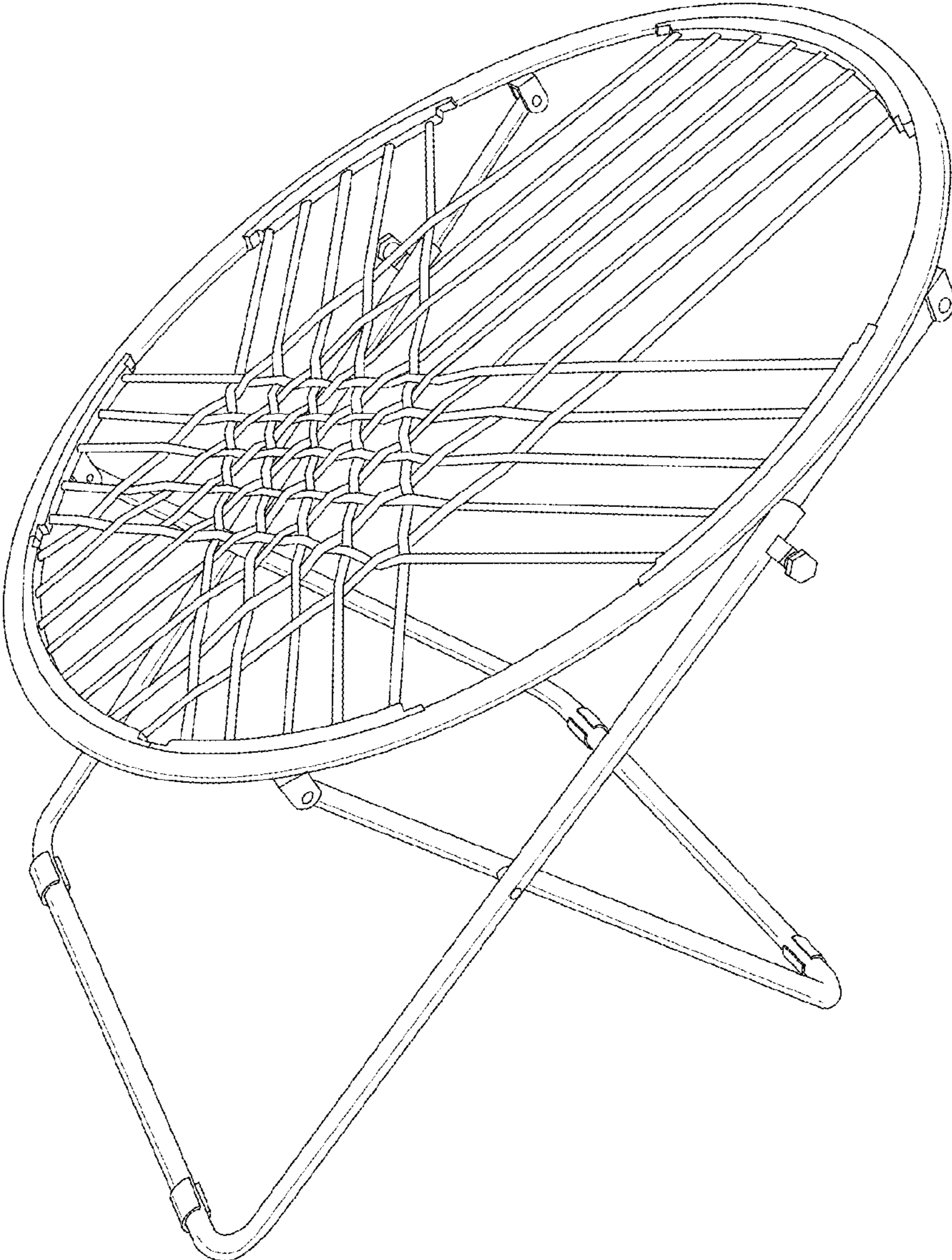


FIG. 1

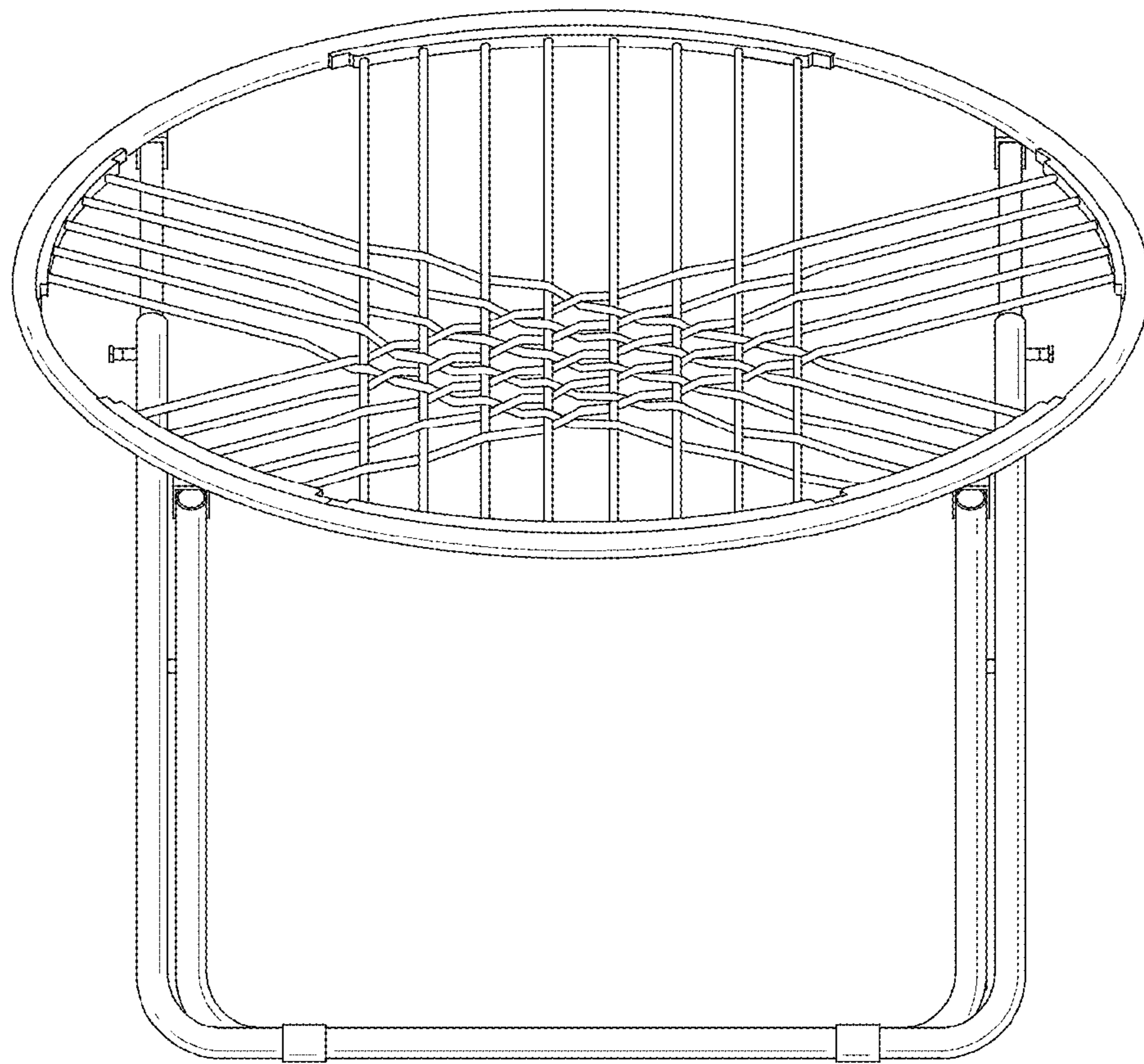


FIG. 2

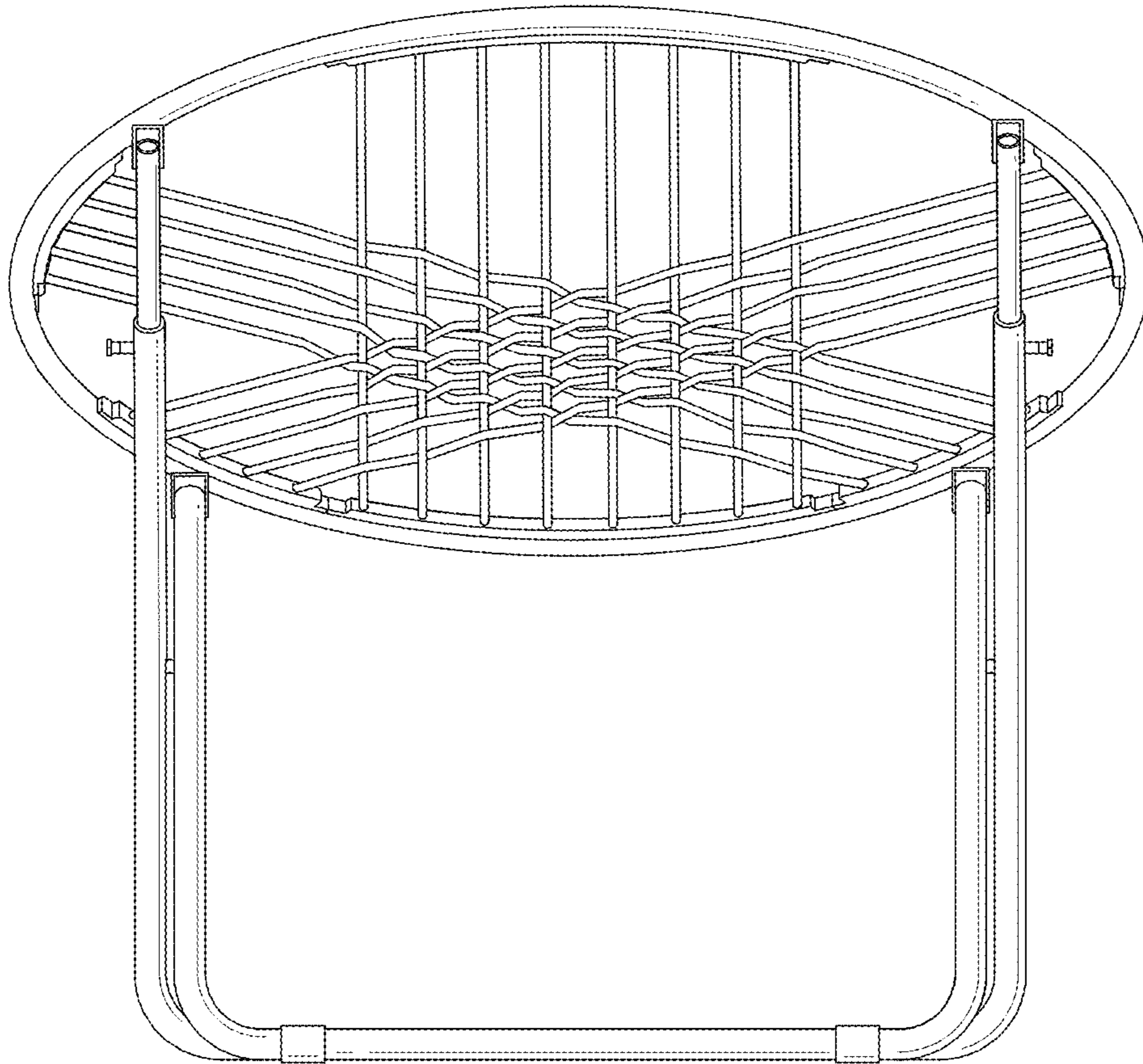


FIG. 3

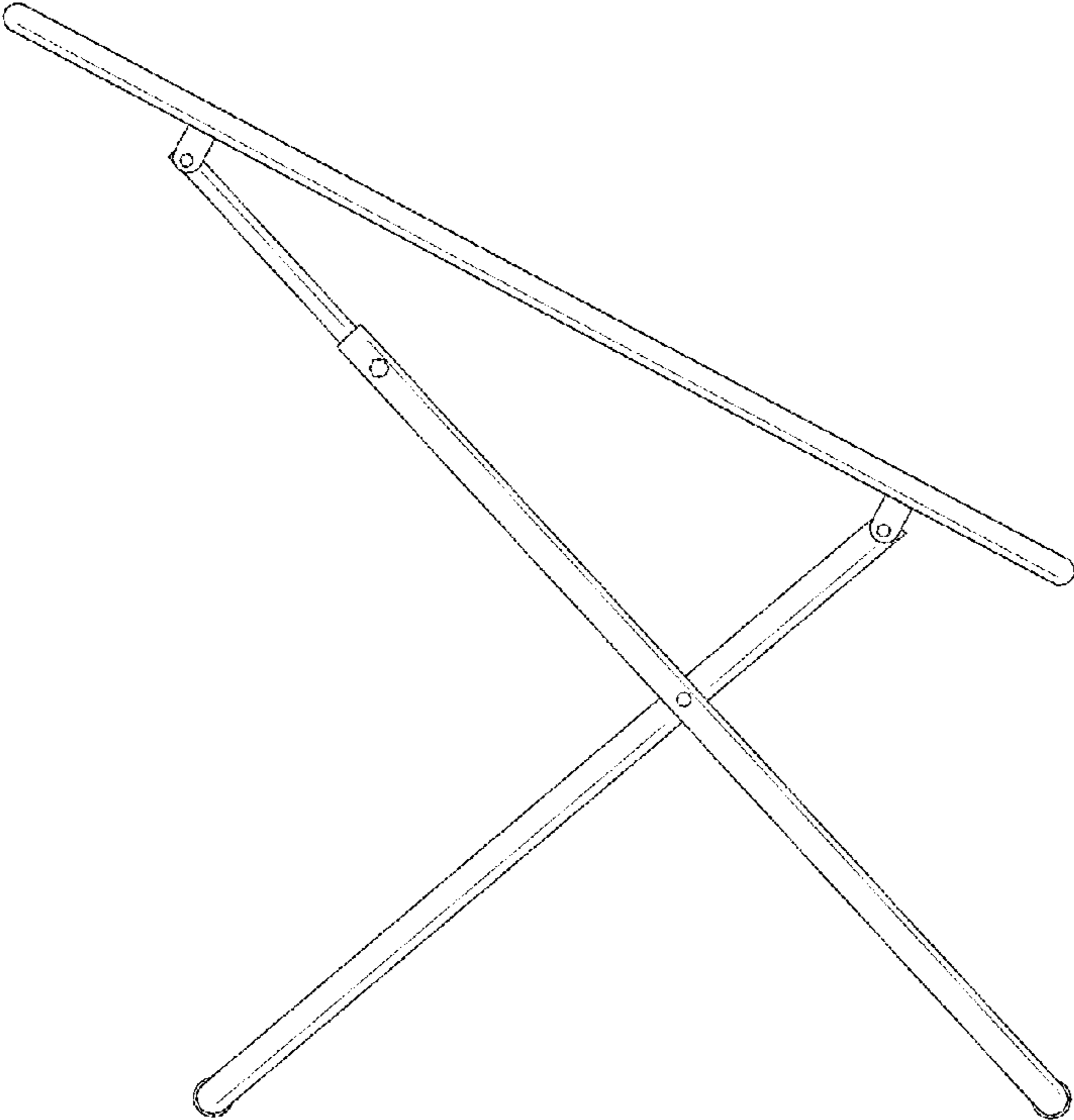


FIG. 4

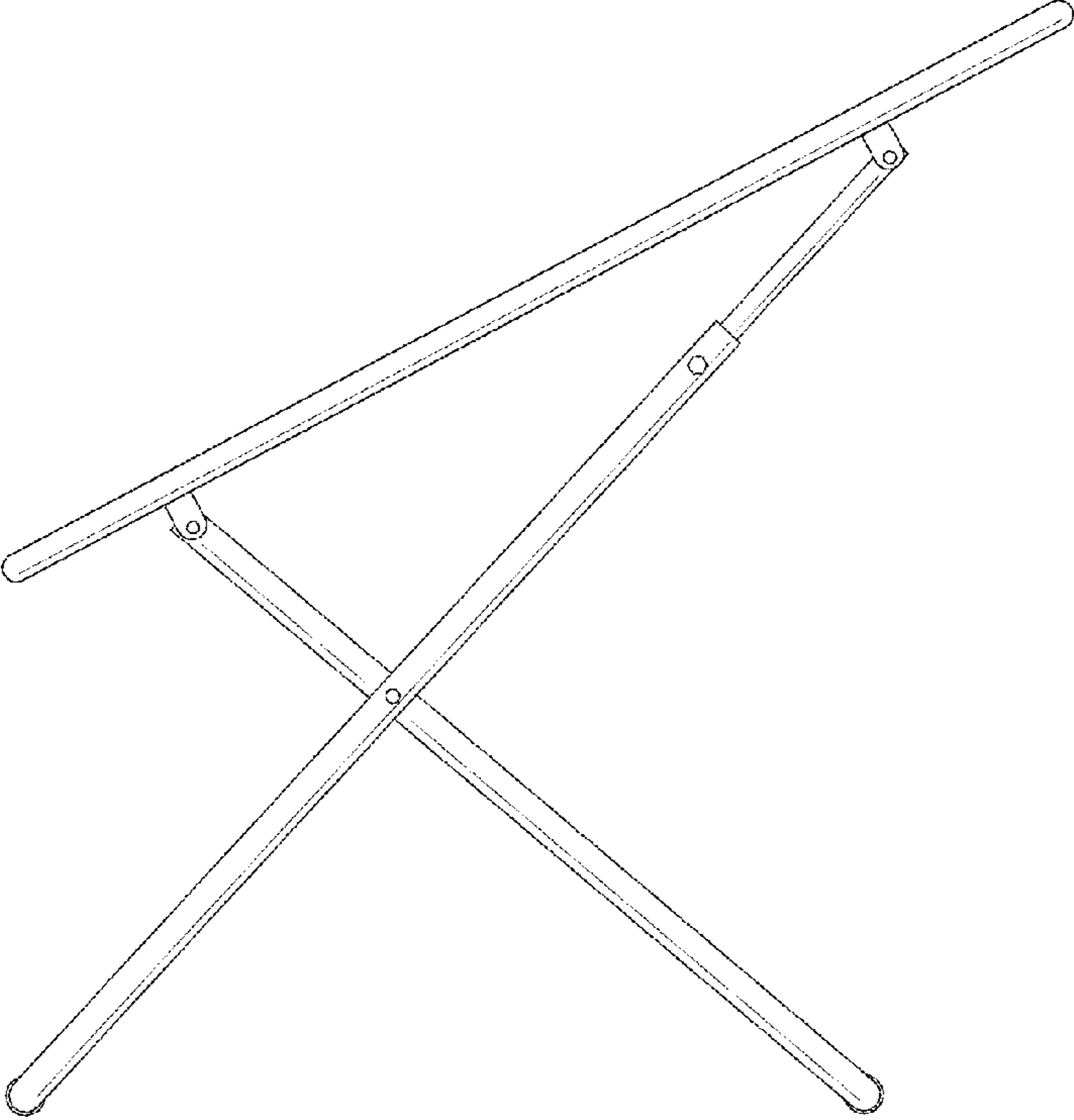


FIG. 5

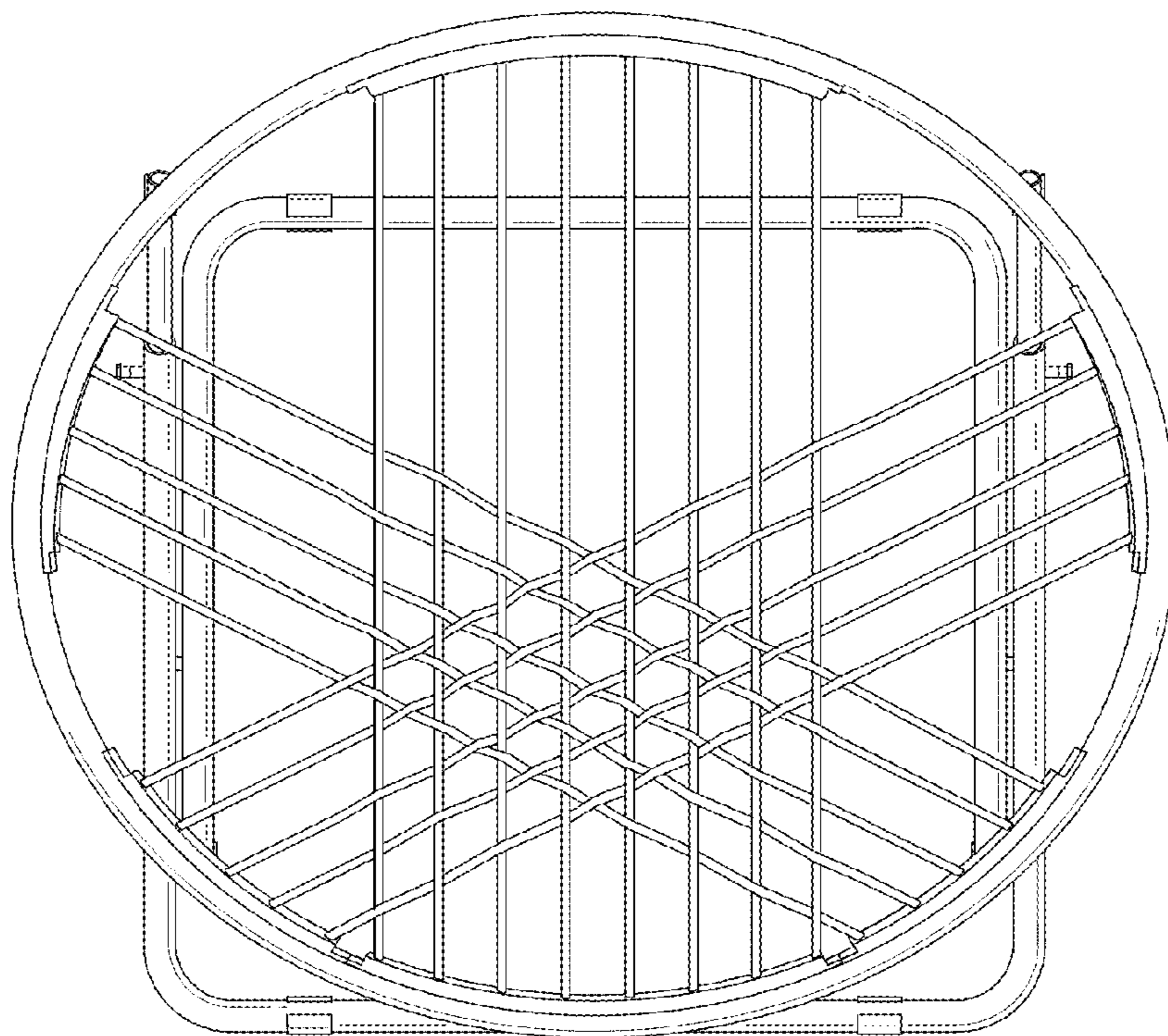


FIG. 6

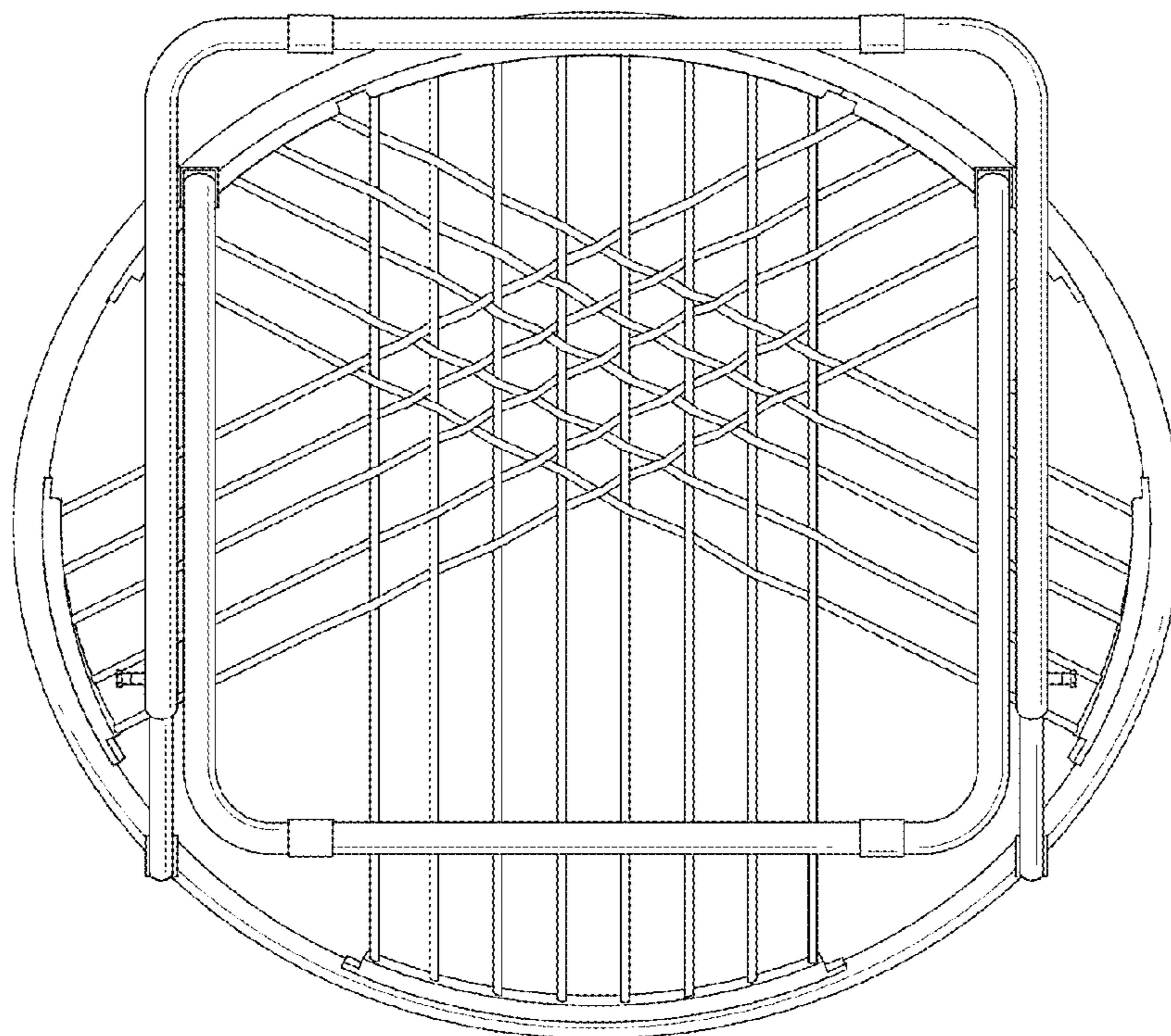


FIG. 7