



US00D709704S

(12) **United States Design Patent**
Scott

(10) **Patent No.:** **US D709,704 S**
(45) **Date of Patent:** **** Jul. 29, 2014**

(54) **BOX**

FOREIGN PATENT DOCUMENTS

(71) Applicant: **William Mitchell Scott**, Villa Hills, KY
(US)

JP 52-171526 12/1977
JP 7-35313 6/1995

(Continued)

(72) Inventor: **William Mitchell Scott**, Villa Hills, KY
(US)

OTHER PUBLICATIONS

(**) Term: **14 Years**

Acrylic Desktop File Holder; http://www.alibaba.com/product-g/5413687370/acrylic_desktop_file_holder.html; Copyright © 1999-2012 Alibaba.com Hong Kong Limited and licensors; printed Oct. 24, 2012; p. 1-3.

(21) Appl. No.: **29/444,761**

(22) Filed: **Feb. 4, 2013**

(Continued)

Related U.S. Application Data

(63) Continuation of application No. 29/391,491, filed on May 10, 2011, now Pat. No. Des. 675,443.

Primary Examiner — Kelley Donnelly

(51) **LOC (10) Cl.** **03-01**

(74) *Attorney, Agent, or Firm* — Hasse & Nesbitt LLC; Donald E. Hasse; Daniel F. Nesbitt

(52) **U.S. Cl.**

USPC **D3/307**

(58) **Field of Classification Search**

USPC D3/302, 304–305, 307–315; D34/1; D19/75–76, 86, 90–91, 99–100; 229/100, 117.13, 117.16, 120.12, 229/120.24, 120.29; 312/183–184, 107; 211/45–46, 10–11, 126.13

See application file for complete search history.

(57) **CLAIM**

I claim the ornamental design for a box, as shown and described.

DESCRIPTION

FIG. 1 is a top perspective view of the box; FIG. 2 is an exploded left side view thereof; FIG. 3 is an exploded right side view thereof; FIG. 4 is an exploded front view thereof; FIG. 5 is an exploded rear view thereof; FIG. 6 is a top view thereof; FIG. 7 is an exploded top perspective view thereof; FIG. 8 is a top perspective view of a second embodiment of a box; FIG. 9 is an exploded left side view thereof; FIG. 10 is an exploded right side view thereof, the front, rear, and top views being the same as FIGS. 4 through 6; and, FIG. 11 is an exploded top perspective view thereof. The broken lines shown in the drawings are for illustrative purposes only and form no part of the claimed design.

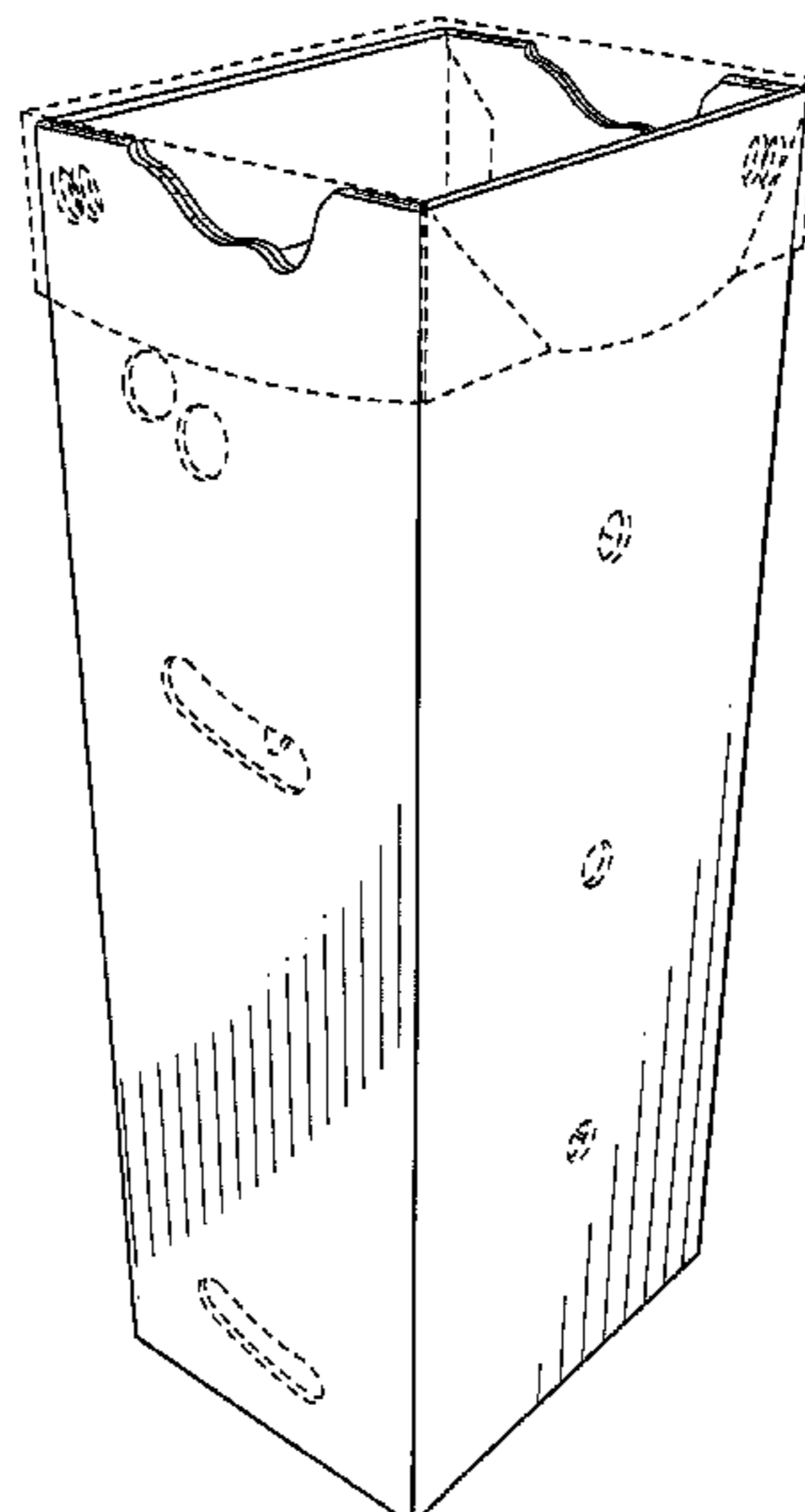
(56) **References Cited**

U.S. PATENT DOCUMENTS

238,117 A	2/1881	Hillman
600,879 A	3/1898	Louden
1,457,770 A	6/1923	Dodge
1,465,691 A	8/1923	Snedeker
1,623,547 A	4/1927	Neumann
1,865,688 A	7/1932	Hannaford
1,897,672 A	2/1933	Neumann
1,974,674 A	9/1934	Halladay et al.
2,019,371 A	10/1935	Tompkins

(Continued)

1 Claim, 11 Drawing Sheets



(56)

References Cited

U.S. PATENT DOCUMENTS

2,054,355 A	9/1936	Anderson, Jr.	4,030,600 A	6/1977	Heaps
2,094,054 A	9/1937	Bixby	D244,994 S	7/1977	Flanagan
2,124,409 A	7/1938	Andrews	4,082,215 A	4/1978	Eichenauer
RE21,386 E	3/1940	Crawford	4,101,052 A	7/1978	Dove
2,201,462 A	5/1940	Wells et al.	4,114,300 A	9/1978	Holson
2,249,265 A	7/1941	Bauder	4,127,228 A	11/1978	Hall
2,253,008 A	8/1941	Anderson, Jr.	4,142,665 A	3/1979	Jewell et al.
2,289,619 A	7/1942	Anderson, Jr.	4,172,522 A	10/1979	Muller et al.
2,297,284 A	9/1942	Blackman	4,199,832 A	4/1980	Glasscock et al.
2,307,349 A	1/1943	Anderson, Jr.	4,201,330 A	5/1980	Gilbert
2,307,350 A	1/1943	Anderson, Jr.	4,228,904 A	10/1980	Dumond
2,330,294 A	9/1943	Leavitt et al.	4,230,261 A	10/1980	Austin
2,365,182 A	12/1944	Ferguson	4,265,391 A	5/1981	Zornes et al.
2,418,963 A	4/1947	Anderson, Jr.	4,285,150 A	8/1981	Richardson et al.
2,460,230 A	1/1949	Makrianes	4,291,830 A	9/1981	Sorensen
2,487,302 A	11/1949	Bradley	D263,899 S	4/1982	Lynn
2,523,908 A	9/1950	Johnsen	4,325,493 A	4/1982	Paige
2,537,801 A	1/1951	Swatsick	4,339,069 A	7/1982	Poteet
2,559,552 A	7/1951	Welshenbach	4,356,952 A	11/1982	Rekow
2,561,979 A	7/1951	George	4,380,290 A	4/1983	Luebke
2,564,948 A	8/1951	Beck, Jr. et al.	4,504,497 A	3/1985	Kurth et al.
2,597,847 A	5/1952	Reeser	4,531,667 A	7/1985	Meade
2,604,255 A	7/1952	Welshenbach	4,542,832 A	9/1985	Minick et al.
2,629,499 A	2/1953	Welshenbach	4,588,077 A	5/1986	Champlin et al.
2,634,038 A	4/1953	George et al.	4,617,702 A	10/1986	Diederich, Jr.
2,645,353 A	7/1953	Anderson, Jr.	4,655,366 A	4/1987	Sykes
2,654,527 A	10/1953	Geckler et al.	4,717,023 A	1/1988	Oprean
2,698,124 A	12/1954	Hines	D297,214 S	8/1988	Forbes, Jr.
2,769,550 A	11/1956	Rollins et al.	4,768,704 A	9/1988	Beckway et al.
2,788,933 A	4/1957	Kessler	4,817,861 A	4/1989	Henrikson
2,822,973 A	2/1958	Armstrong et al.	4,830,268 A	5/1989	Pitts
2,827,222 A	3/1958	Buttery	4,838,436 A	6/1989	Bailey
D186,672 S	11/1959	Gilruth	4,905,834 A	3/1990	Mur Gimeno et al.
2,925,210 A	2/1960	Fallert	4,927,074 A	5/1990	LaRue et al.
2,981,455 A	4/1961	Cope	4,948,033 A	8/1990	Halsell, II et al.
3,002,650 A	10/1961	Lovell	4,961,497 A	10/1990	Sherer et al.
3,005,717 A	10/1961	Pilibos	D312,402 S	11/1990	Boggus, Jr.
3,049,279 A	8/1962	Mairs et al.	D312,531 S	12/1990	Sherer et al.
3,107,041 A	10/1963	Wagner, Jr.	D315,098 S	3/1991	Hutcheson
3,114,493 A	12/1963	Dunkin	5,011,071 A	4/1991	Lopez
3,118,588 A	1/1964	Noble	5,016,814 A	5/1991	Fullerton
3,138,283 A	6/1964	Peebles	5,042,657 A	8/1991	Dunn
3,155,235 A	11/1964	Maich	5,064,069 A	11/1991	Su
D200,699 S	3/1965	Pappas	5,076,491 A	12/1991	Freudentahl et al.
3,175,750 A	3/1965	Bump	D326,341 S	5/1992	Frauhiger
3,186,586 A	6/1965	Box	5,111,957 A	5/1992	Hollander et al.
3,195,798 A	7/1965	Wilson	5,119,950 A	6/1992	Takemura
D206,304 S	11/1966	Pinzke	5,148,942 A	9/1992	Snook
3,282,462 A	11/1966	Box	5,148,973 A	9/1992	Zimmermann
3,301,386 A	1/1967	Carter	5,156,328 A	10/1992	Wozniacki
3,301,461 A	1/1967	Kroeschell	5,295,632 A	3/1994	Zink et al.
3,314,532 A	4/1967	Henry	5,322,167 A	6/1994	Birutis et al.
3,366,496 A	1/1968	Bomar et al.	D348,390 S	7/1994	Van Ness
3,379,341 A	4/1968	Miles	5,333,777 A	8/1994	Roth
3,391,698 A	7/1968	Wiles	5,335,844 A	8/1994	Young
3,438,562 A	4/1969	Connor et al.	5,402,932 A	4/1995	Fadaie
3,568,918 A	3/1971	Blomqvist	5,411,145 A	5/1995	Parks
3,622,063 A	11/1971	McVeigh	5,429,295 A	7/1995	Levy
3,664,494 A	5/1972	Mergens	D361,892 S	9/1995	Quaintance
3,667,666 A	6/1972	Pryor	5,494,161 A	2/1996	Herbst
3,670,949 A	6/1972	Galanes	5,503,324 A	4/1996	Bacchetti et al.
3,684,159 A	8/1972	Wolfe	D372,673 S	8/1996	Turner
3,692,231 A	9/1972	Neitzke et al.	5,579,917 A	12/1996	Lofgren et al.
3,698,625 A	10/1972	Graser	5,699,959 A	12/1997	Huspeka et al.
3,713,579 A	1/1973	Chaffers	D391,079 S	2/1998	Conti et al.
3,724,920 A	4/1973	Beck	D394,950 S	6/1998	Kite
3,727,827 A *	4/1973	Stice 229/101	5,765,695 A	6/1998	Picciallo
3,797,731 A	3/1974	Weldon	5,779,129 A	7/1998	Herbst et al.
3,831,834 A	8/1974	Elward	5,794,780 A	8/1998	Parrella et al.
3,844,473 A	10/1974	Whelan	D398,228 S	9/1998	Herbst et al.
3,860,113 A	1/1975	Helms	D398,230 S	9/1998	Herbst et al.
3,862,687 A	1/1975	Pirman	D399,366 S	10/1998	Stravitz
3,910,483 A	10/1975	Ritter	5,884,783 A	3/1999	Proulx
3,952,940 A	4/1976	Malcolm	5,887,782 A	3/1999	Mueller
D242,021 S	10/1976	Shanklin	5,890,650 A	4/1999	Penson
			5,908,152 A	6/1999	Tullis
			D419,302 S	1/2000	Hardy et al.
			D420,704 S	2/2000	Coe
			D421,183 S	2/2000	Koskinen

(56)

References Cited

U.S. PATENT DOCUMENTS

6,036,042 A 3/2000 Pietruch et al.
 D422,499 S 4/2000 Herbst et al.
 D423,587 S 4/2000 Conley et al.
 D424,117 S 5/2000 Steinbeck et al.
 D425,128 S 5/2000 Conley et al.
 D425,562 S 5/2000 Conley et al.
 6,059,180 A 5/2000 Collins
 6,070,719 A 6/2000 Pollock
 6,123,254 A 9/2000 Dupuis
 6,135,347 A 10/2000 Mueller
 D434,223 S 11/2000 Dombrowski
 6,149,052 A 11/2000 Mueller
 6,164,461 A 12/2000 Ward et al.
 D436,728 S 1/2001 Harding
 D441,653 S 5/2001 Leroux
 D442,780 S 5/2001 Hiernard
 6,237,840 B1 5/2001 Grabowski et al.
 6,290,124 B2 9/2001 Andrews, Sr. et al.
 D448,567 S 10/2001 Buss
 D448,568 S 10/2001 Sadr
 6,311,891 B1 11/2001 Gardner
 D451,675 S 12/2001 Hardy et al.
 D453,275 S 2/2002 Stravitz
 6,352,157 B1 3/2002 Srinivasan
 D461,120 S 8/2002 Ostro
 6,439,452 B1 8/2002 Tsao
 6,499,781 B1 12/2002 Flynn
 D468,638 S * 1/2003 Nogami et al. D9/430
 6,527,167 B1 3/2003 Sheffer
 D477,217 S 7/2003 Riedi
 6,604,675 B2 8/2003 Southwell
 D480,273 S 10/2003 Cordwell
 6,641,032 B1 11/2003 Schilling
 6,669,080 B2 12/2003 Ong
 D485,466 S 1/2004 Haruhiro
 6,705,515 B2 3/2004 Dowd
 6,708,874 B1 3/2004 Montgomery
 6,719,191 B1 4/2004 Christensen et al.
 D494,759 S 8/2004 Louie et al.
 D495,490 S 9/2004 Garrett et al.
 6,830,156 B2 12/2004 MacKelvie
 D503,614 S 4/2005 Sax et al.
 6,889,893 B2 5/2005 Kent
 D507,404 S 7/2005 Moon et al.
 D508,042 S * 8/2005 Oikawa D14/214
 D510,521 S 10/2005 Lebras
 D510,823 S 10/2005 Ng et al.
 D518,526 S 4/2006 Benn
 D518,708 S 4/2006 Ohayon
 D526,357 S 8/2006 Killinger et al.
 D526,893 S 8/2006 Nixon
 D527,424 S 8/2006 Long
 D536,964 S * 2/2007 Smith et al. D9/430
 D539,036 S 3/2007 Potts et al.
 D542,033 S 5/2007 Kopenhaver et al.
 7,210,614 B2 5/2007 Mazurek
 D548,072 S 8/2007 Nixon
 D548,782 S 8/2007 Nash
 D549,096 S 8/2007 Ayats et al.
 D549,575 S * 8/2007 Pinkstone D9/430
 D551,860 S 10/2007 Northrop
 D558,047 S * 12/2007 Pinkstone D9/430
 7,331,451 B2 2/2008 Focke et al.
 D569,105 S 5/2008 Van Hoorn
 D570,684 S * 6/2008 Kisch D9/756
 7,387,350 B2 6/2008 Killinger et al.
 D575,452 S * 8/2008 Jones et al. D27/189
 7,410,094 B2 8/2008 Bos
 7,438,198 B2 10/2008 Pickles
 D581,782 S 12/2008 Kisch
 D583,660 S 12/2008 Steiger et al.
 D587,996 S 3/2009 Steiger et al.
 D599,202 S 9/2009 Whiteside
 7,611,020 B2 11/2009 Prest
 D610,000 S * 2/2010 Schantz D9/418

7,654,408 B2 2/2010 Bazany
 D610,904 S * 3/2010 Russell et al. D9/432
 D613,899 S * 4/2010 Whittier et al. D26/118
 D614,484 S * 4/2010 Schantz D9/418
 D615,775 S 5/2010 Fairbanks
 D617,185 S * 6/2010 Wager D9/431
 7,726,552 B2 6/2010 Chadima
 D622,140 S * 8/2010 Elhalwani D9/421
 D627,562 S 11/2010 Osiecki et al.
 D629,163 S 12/2010 Sullivan
 D633,296 S 3/2011 Potts et al.
 D641,620 S * 7/2011 Hammond et al. D9/432
 D643,302 S * 8/2011 Stone D9/645
 D651,076 S * 12/2011 Van Berlo D9/433
 8,079,474 B1 12/2011 Flaming
 D657,562 S 4/2012 McNamara
 D657,748 S * 4/2012 Hargreaves et al. D13/156
 8,152,050 B2 4/2012 Busam et al.
 D658,407 S 5/2012 Pung et al.
 D661,096 S 6/2012 Dretzka
 D662,133 S 6/2012 Smith et al.
 8,220,701 B2 7/2012 Fontaine et al.
 D665,846 S 8/2012 Chuang
 8,251,276 B2 8/2012 McLeod
 D666,830 S 9/2012 Glenn
 D671,321 S 11/2012 Scott
 D671,322 S 11/2012 Scott
 D671,323 S 11/2012 Scott
 D673,368 S 1/2013 Scott
 D675,443 S 2/2013 Scott
 D678,058 S 3/2013 Vanden Boom et al.
 D679,094 S 4/2013 Scott
 D680,427 S 4/2013 MacAulay et al.
 D680,428 S * 4/2013 Vanden Boom et al. D9/434
 D681,331 S 5/2013 Scott
 D681,953 S 5/2013 Scott
 D685,264 S * 7/2013 Lal et al. D9/430
 D685,634 S 7/2013 Scott
 D685,649 S 7/2013 Banuelos
 D690,105 S 9/2013 Scott
 D690,106 S 9/2013 Scott
 D690,107 S 9/2013 Scott
 D690,126 S * 9/2013 Ogawa D6/518
 D698,152 S 1/2014 Scott
 2001/0052477 A1 12/2001 McNeill
 2002/0125308 A1 9/2002 McLeod
 2003/0168502 A1 9/2003 Kisch
 2003/0183679 A1 10/2003 Ong
 2005/0029260 A1 2/2005 Sheng-Bin
 2005/0241971 A1 11/2005 Zou et al.
 2005/0284906 A1 12/2005 Potts et al.
 2006/0022026 A1 2/2006 Yandian et al.
 2006/0054669 A1 3/2006 Hsieh
 2006/0243784 A1 11/2006 Glaser et al.
 2006/0266807 A1 11/2006 Shook
 2007/0051787 A1 3/2007 Schille et al.
 2007/0272630 A1 11/2007 Deluca
 2008/0054059 A1 3/2008 Chadima
 2008/0093233 A1 * 4/2008 Jones et al. 206/268
 2008/0173703 A1 7/2008 Westerman et al.
 2009/0020444 A1 1/2009 Green
 2009/0282843 A1 11/2009 Brand
 2010/0314268 A1 12/2010 Goodman

FOREIGN PATENT DOCUMENTS

JP 10-152125 6/1998
 JP 2001-1294231 A 10/2001
 JP 2003-026157 1/2003
 JP 2004-526633 9/2004
 JP 2006-021808 1/2006
 JP 2009-029481 2/2009
 WO WO 99/25621 5/1999
 WO WO 2006/063008 JP 6/2006

OTHER PUBLICATIONS

Acrylic Magazine Holder (m Shape); http://www.alibaba.com/product-gs/274660307/Acrylic_magazine_holder_M_shape_.html;

(56)

References Cited

OTHER PUBLICATIONS

Copyright © 1999-2012 Alibaba.com Hong Kong Limited and licensors; printed Oct. 24, 2012, p. 1-2.

Zigzag Acrylic Literature http://www.alibaba.com/product-gs/294904097/zigzag_acrylic_literature_magazine_holder_acrylic.html; Copyright © 1999-2012 Alibaba.com Hong Kong Limited and licensors; printed Oct. 24, 2012; p. 1-3.

Kantek Acrylic Mini Sorter—KTKAD50; <http://www.discountofficeitems.com/office-supplies/desk-organizers/desk-organizers-holders/desktop-file-sorters/kantek-acrylic-mini-sorter/p14879.html>; Cart Reference # DGL1647F; Copyright © 2012 DiscountOfficeItems.com; printed Oct. 24, 2012; p. 1-3.

Lebon, Hilary (Social Media Pro/Consultant) Marketing Idea For The Day—Corrugated Plastic Totes; <http://www.mdi.org/index.php/marketing-idea-for-the-day-corrugated-plastic-totes/>; Jun. 28, 2011; Copyright © 2010 MDI; p. 1-3.

PCT Search Report and Written Opinion for Corresponding PCT Application No. PCT/US2012/036980; mailed Dec. 3, 2012; pp. 1-9. PCT Search Report and Written Opinion for Corresponding PCT Application No. PCT/US2012/037402; mailed Feb. 14, 2013; pp. 1-15.

Photo 1 of United States Postal Service bin; published prior to Apr. 28, 2012.

Photo 2 of United States Postal Service bins; published prior to Apr. 28, 2012.

Screen Shot of No. 1555 tote and 1560 tote; published prior to Apr. 28, 2012.

U.S. Appl. No. 13/441,434, filed Apr. 6, 2012, William M. Scott, Container With Grips.

U.S. Appl. No. 13/448,349, filed Apr. 16, 2012, William M. Scott, Strengthening Insert for a Corrugated Box.

U.S. Appl. No. 29/391,489, filed May 9, 2011, William M. Scott, Novel Box.

U.S. Appl. No. 29/448,659, filed Mar. 13, 2013, William M. Scott, Box.

U.S. Appl. No. 29/391,490, filed May 10, 2011, William M. Scott, Novel Box & Private Label.

U.S. Appl. No. 29/448,535, filed Mar. 13, 2013, William M. Scott, Box.

U.S. Appl. No. 29/444,761, filed Feb. 4, 2013, William M. Scott, Box. U.S. Appl. No. 29/448,429, filed Mar. 13, 2013, William M. Scott, Box.

U.S. Appl. No. 29/445,333, filed Feb. 11, 2013, William M. Scott, Box.

U.S. Appl. No. 29/419,400, filed Apr. 27, 2012, William M. Scott, Box With Locking Ports.

U.S. Appl. No. 29/438,590, filed Nov. 30, 2012, William M. Scott, Box.

U.S. Appl. No. 29/438,066, filed Nov. 26, 2012, William M. Scott, Carrying Tote.

U.S. Appl. No. 29/438,072, filed Nov. 26, 2012, William M. Scott, Carrying Tote.

U.S. Appl. No. 29/438,077, filed Nov. 26, 2012, William M. Scott, Carrying Tote.

U.S. Appl. No. 29/449,577, filed Mar. 15, 2013, William M. Scott, Cable Tie.

U.S. Appl. No. 29/431,415, filed Sep. 7, 2012, William M. Scott, Box.

U.S. Appl. No. 29/431,416, filed Sep. 7, 2012, William M. Scott, Box.

U.S. Appl. No. 29/431,417, filed Sep. 7, 2012, William M. Scott, Box.

U.S. Appl. No. 13/606,059, filed Sep. 7, 2012, William M. Scott, Shipping Container With Grips and Locking Ports.

U.S. Appl. No. 13/837,387, filed Mar. 15, 2013, William M. Scott, Corrugated Container Box and Blank.

U.S. Appl. No. 29/431,504, filed Sep. 7, 2012, William M. Scott, Box.

U.S. Appl. No. 29/431,507, filed Sep. 7, 2012, William M. Scott, Box.

U.S. Appl. No. 13/673,246, filed Nov. 9, 2012, William M. Scott, Document Holding Device.

U.S. Appl. No. 29/436,876, filed Nov. 9, 2012, William M. Scott, Document Partition.

U.S. Appl. No. 29/436,882, filed Nov. 9, 2012, William M. Scott, Shaped Document Partition.

U.S. Appl. No. 13/835,159, filed Mar. 15, 2013, William M. Scott, Cable Ties.

<http://www.tops-products.com/makeorganizingeasy>, TopsProducts—Hanging Accordion Files (p. 4 of 5), Dec. 27, 2011 (1 page).

* cited by examiner

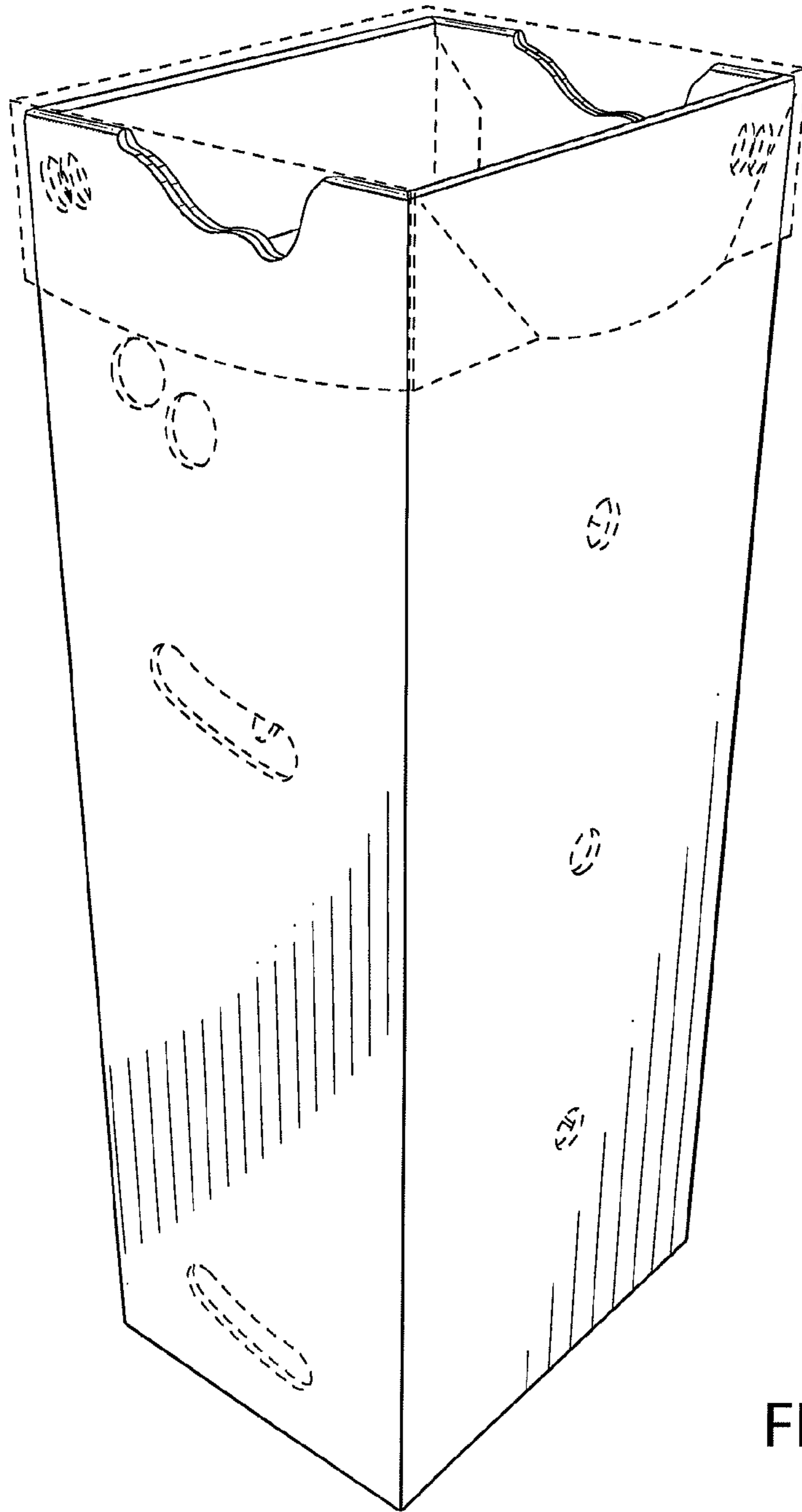


FIG. 1

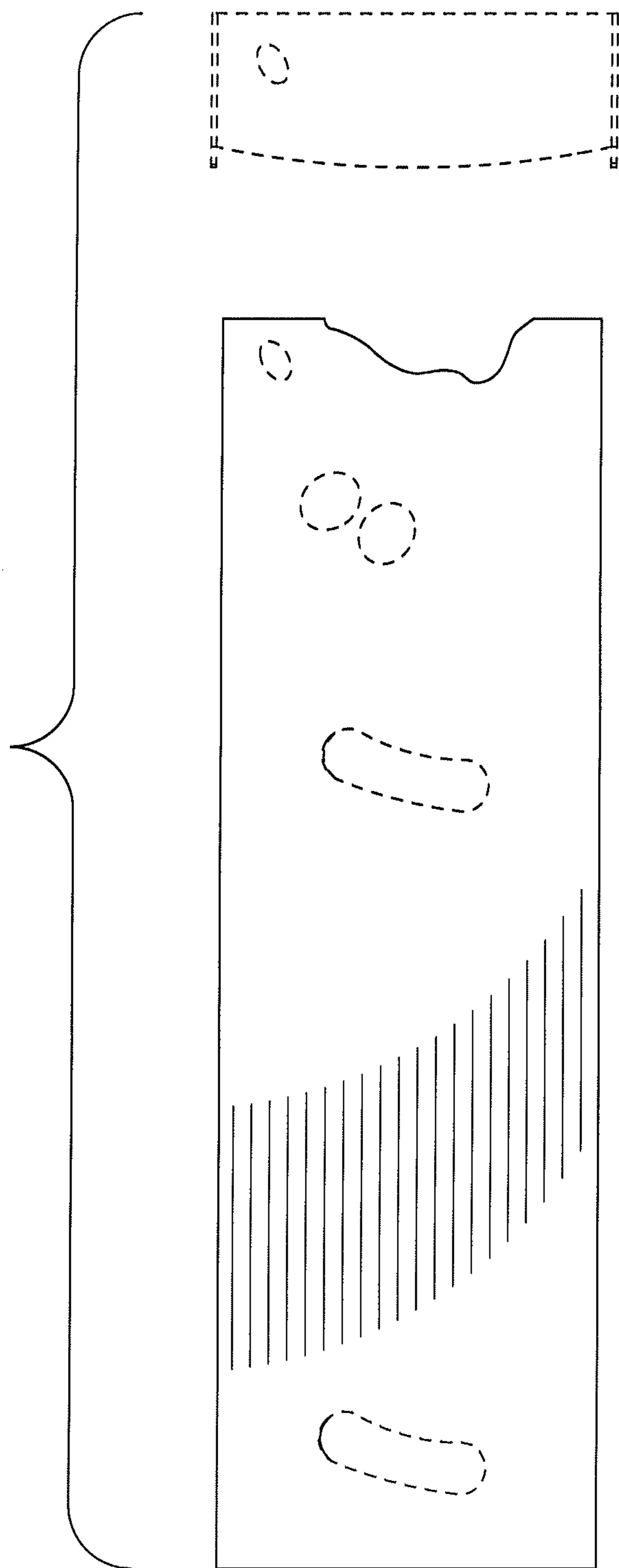


FIG. 2

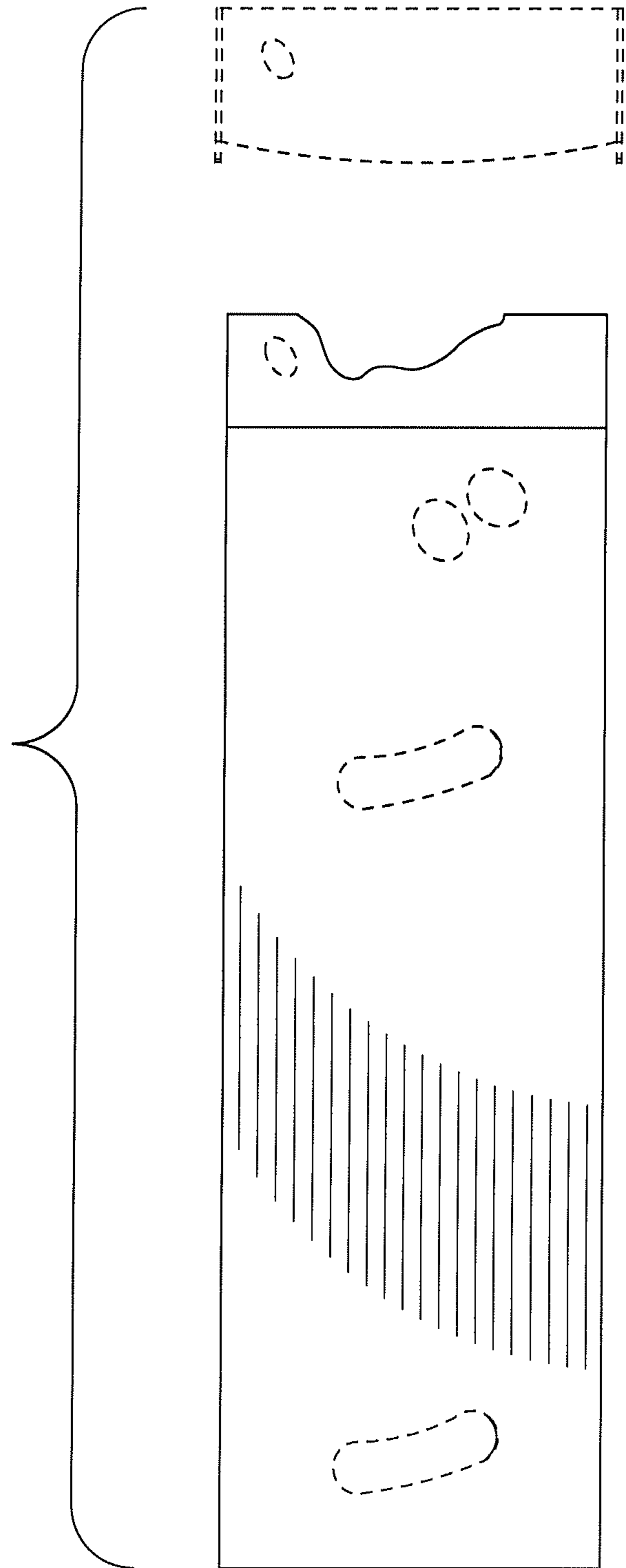


FIG. 3

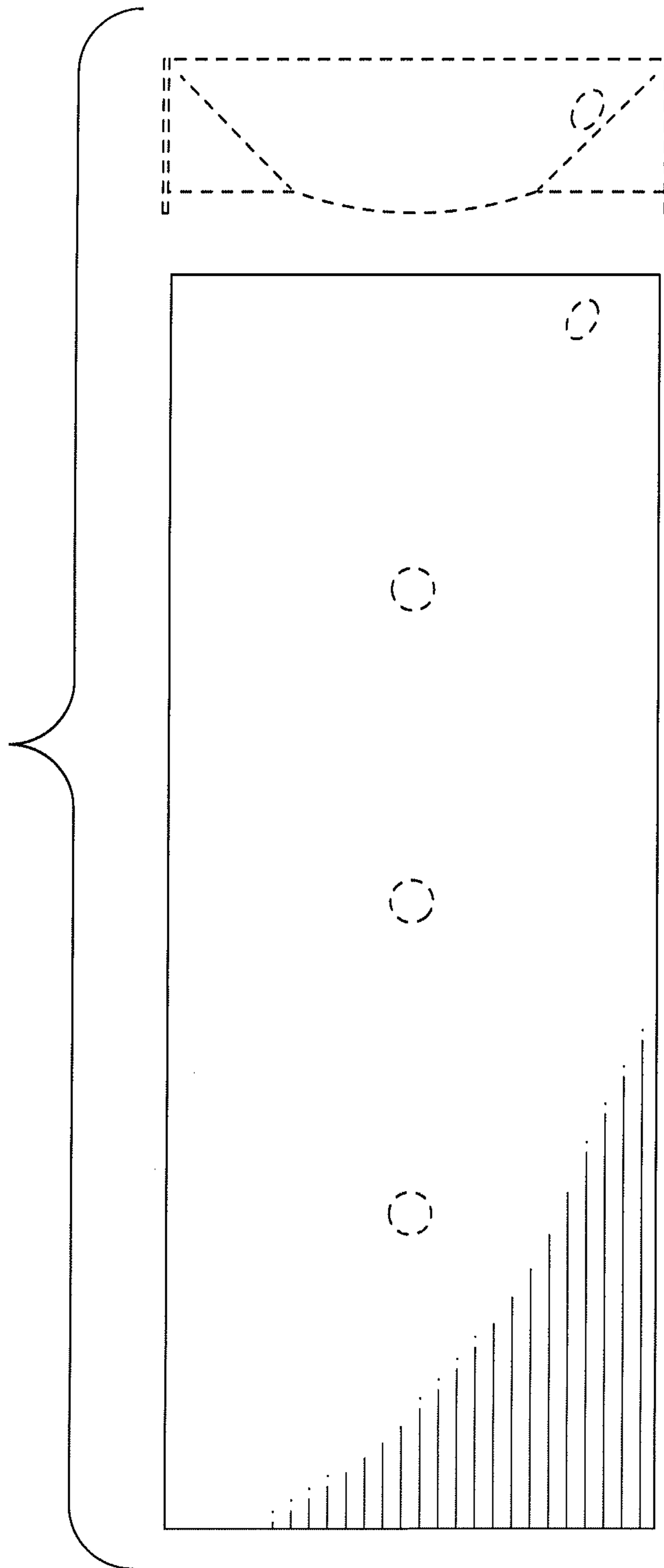


FIG. 4

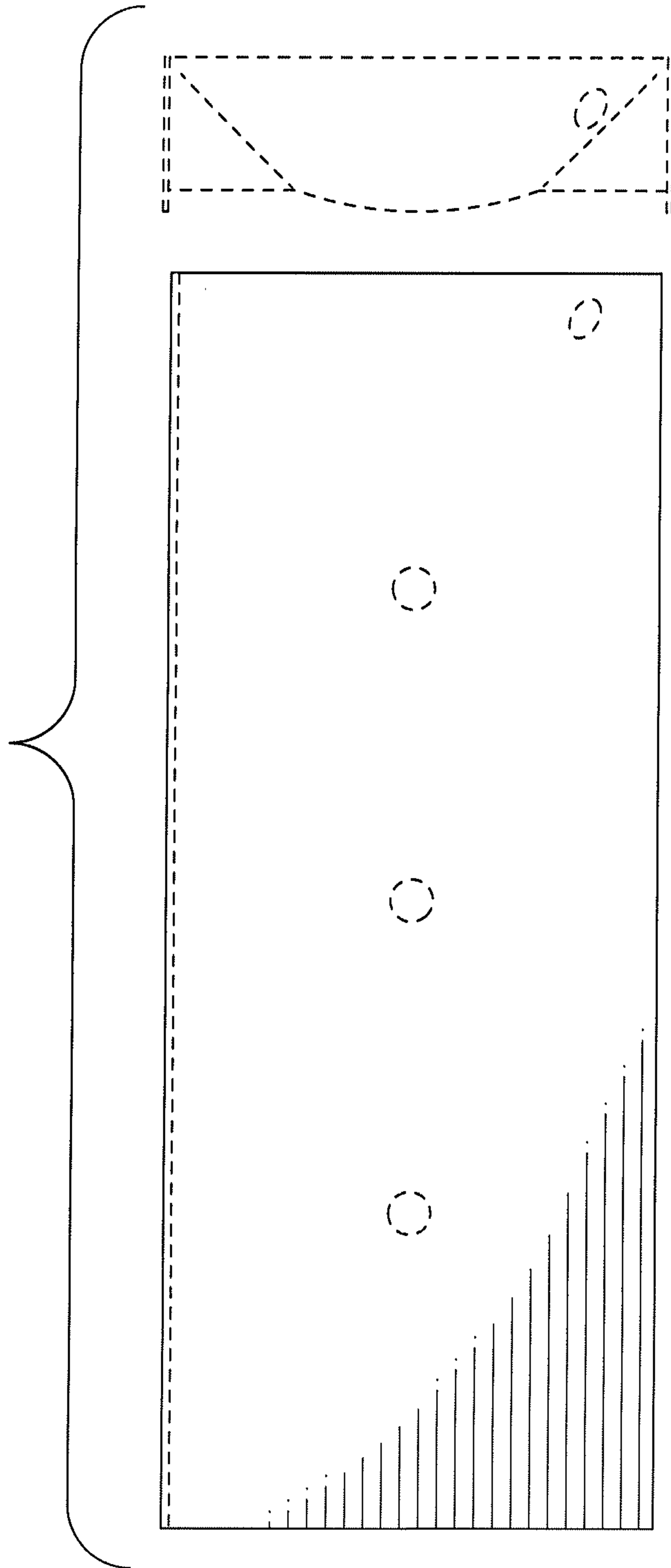


FIG. 5

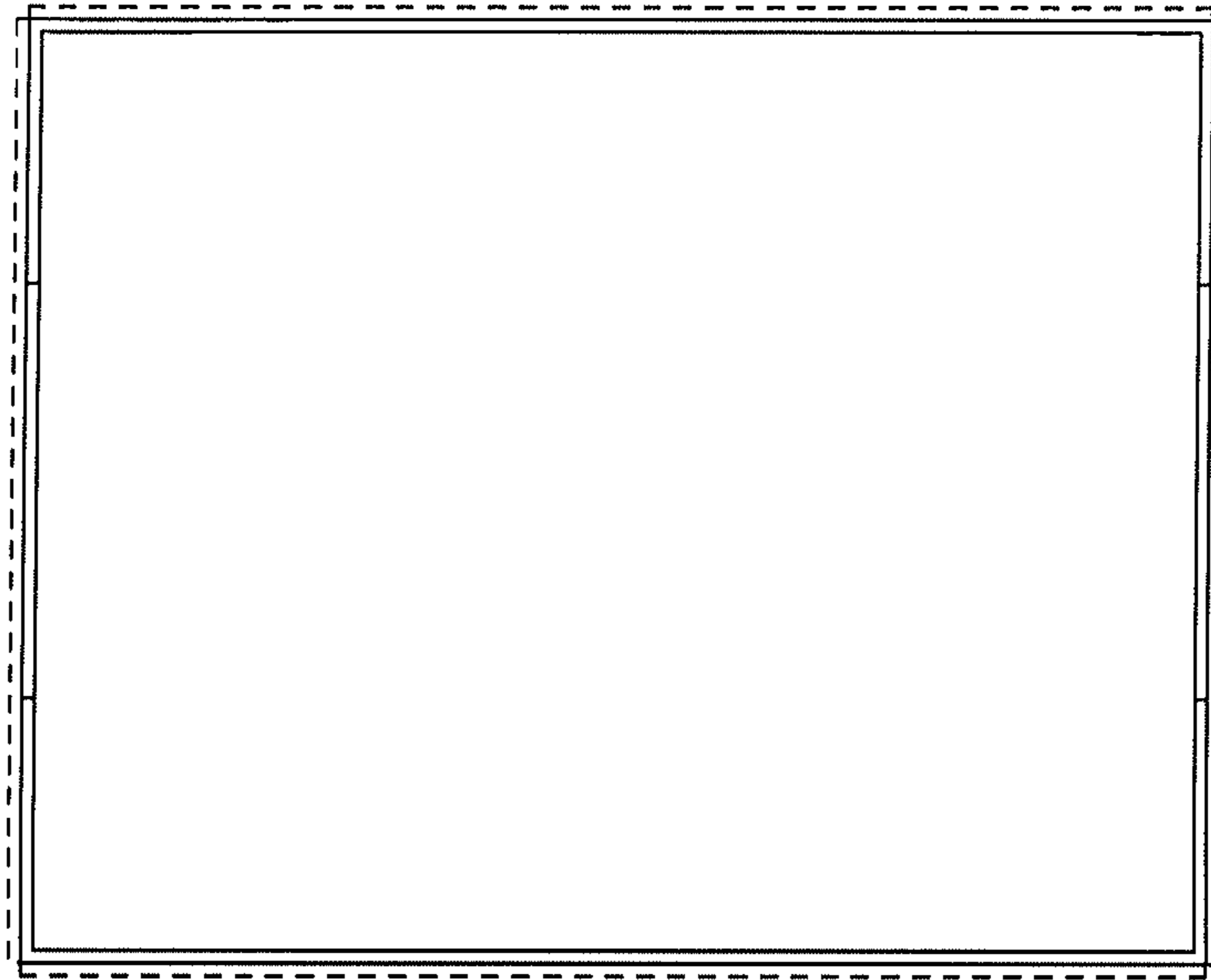


FIG. 6

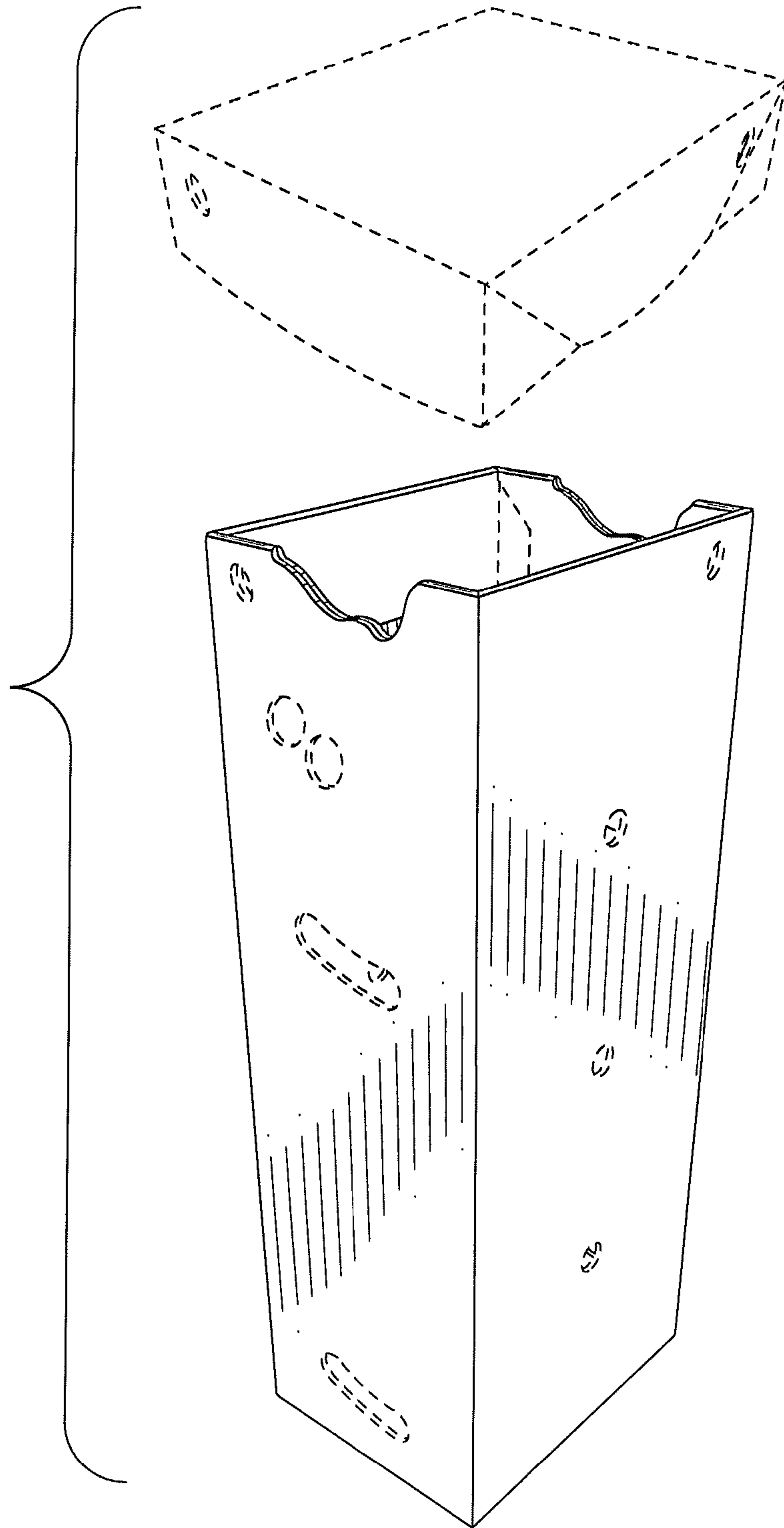


FIG. 7

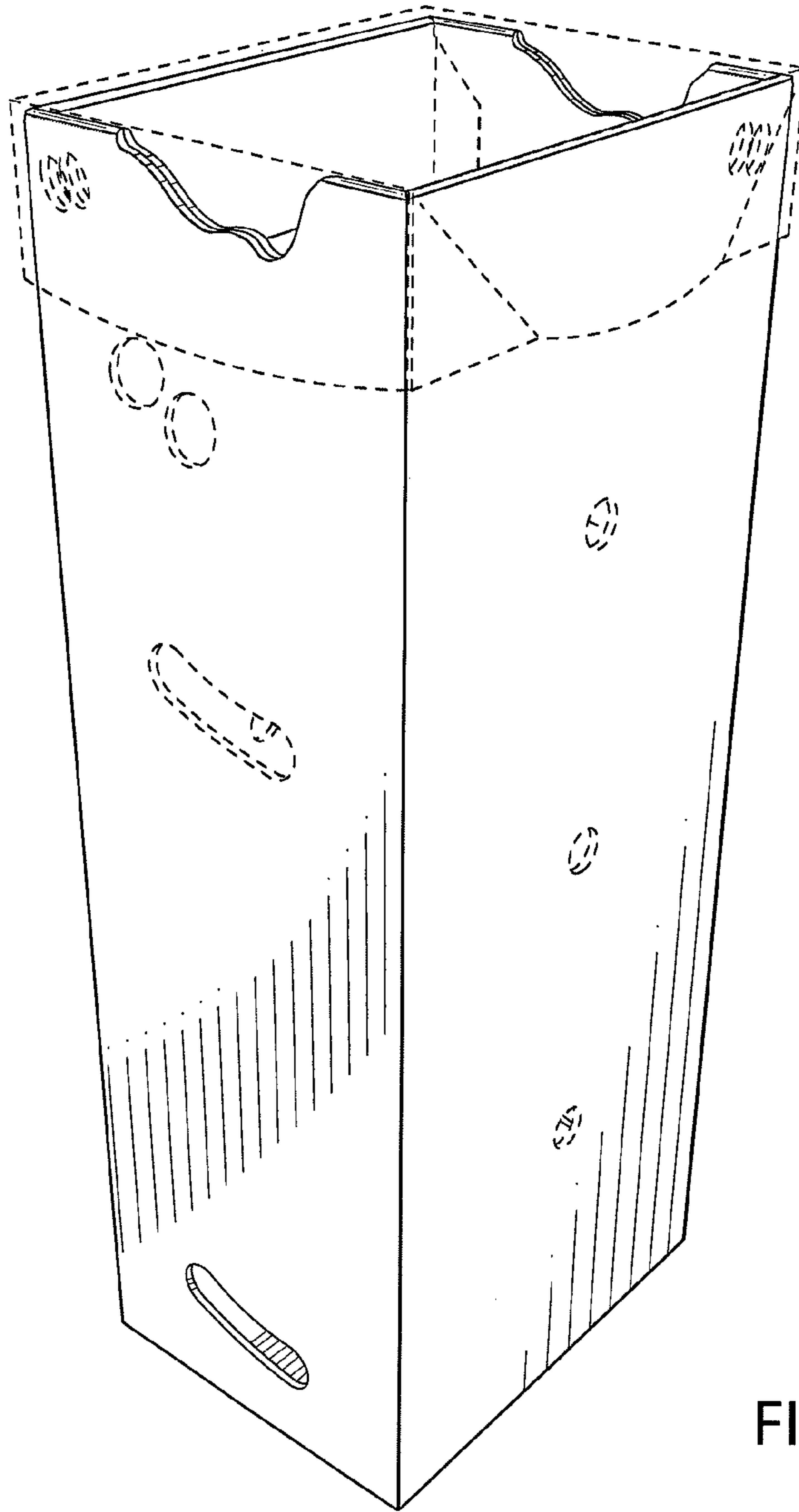


FIG. 8

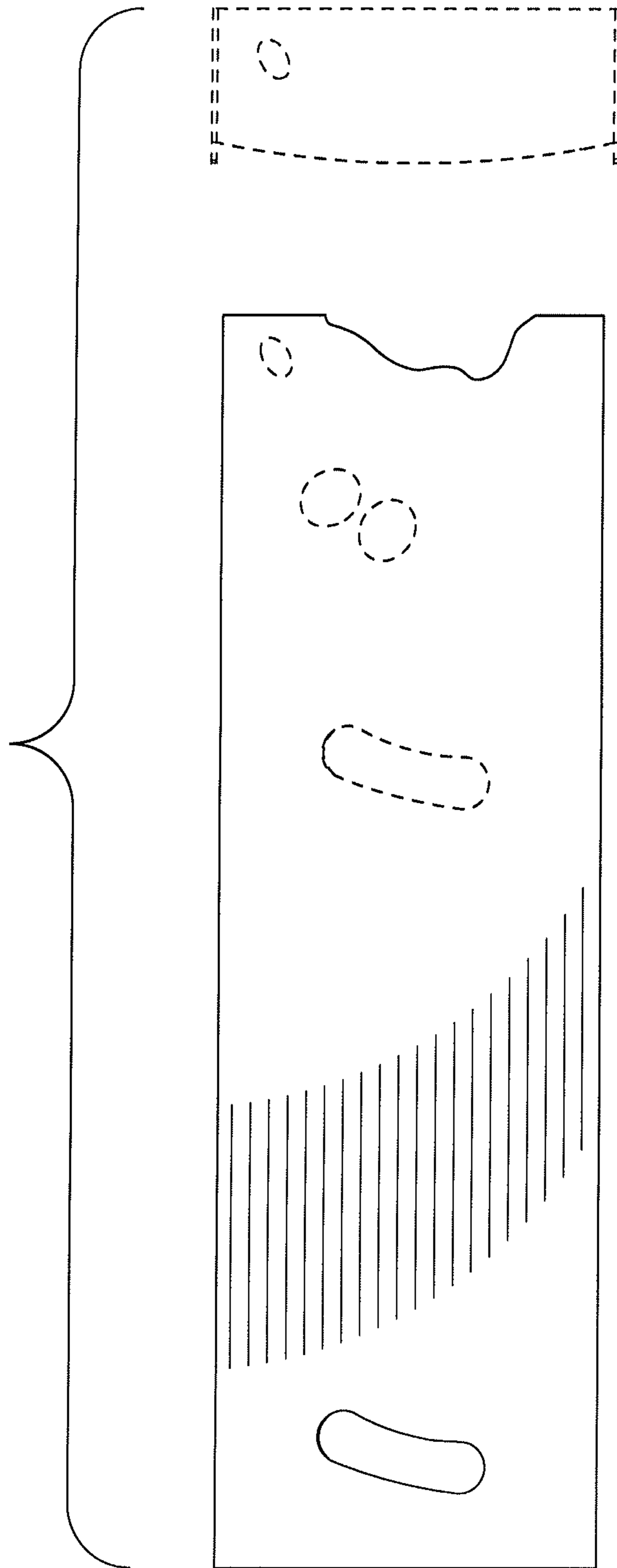


FIG. 9

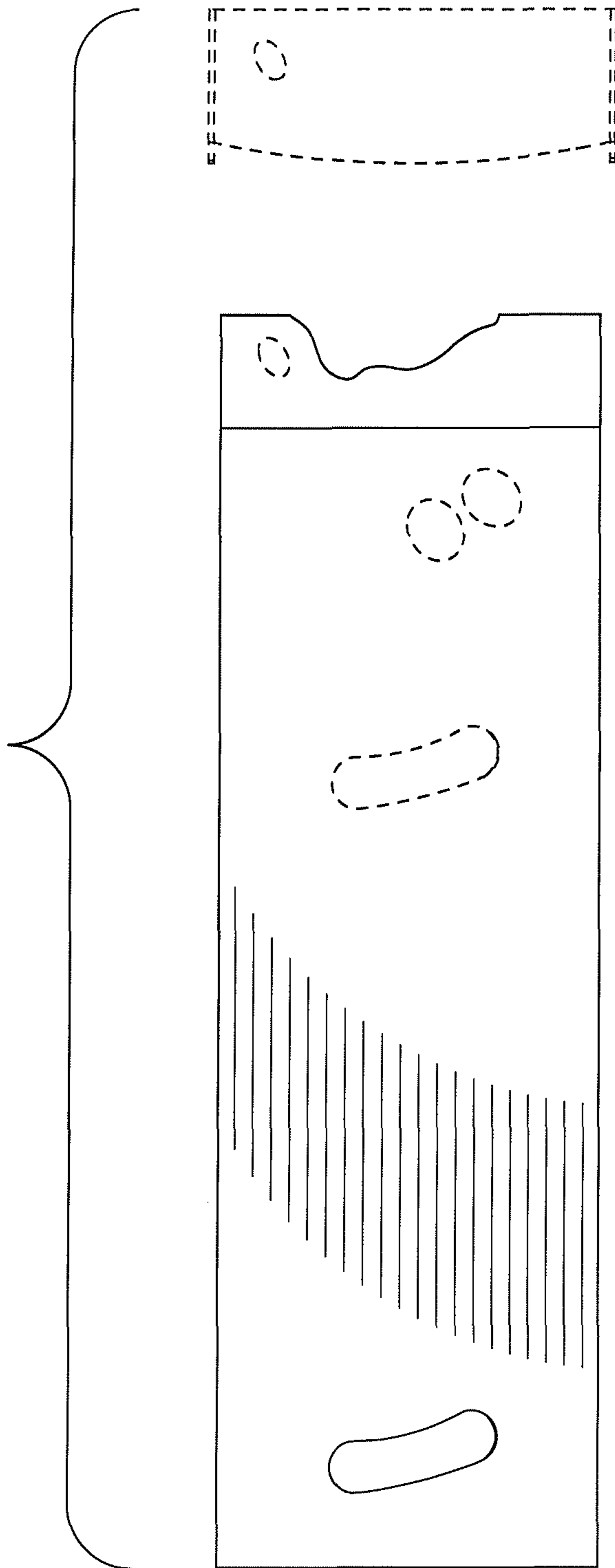


FIG. 10

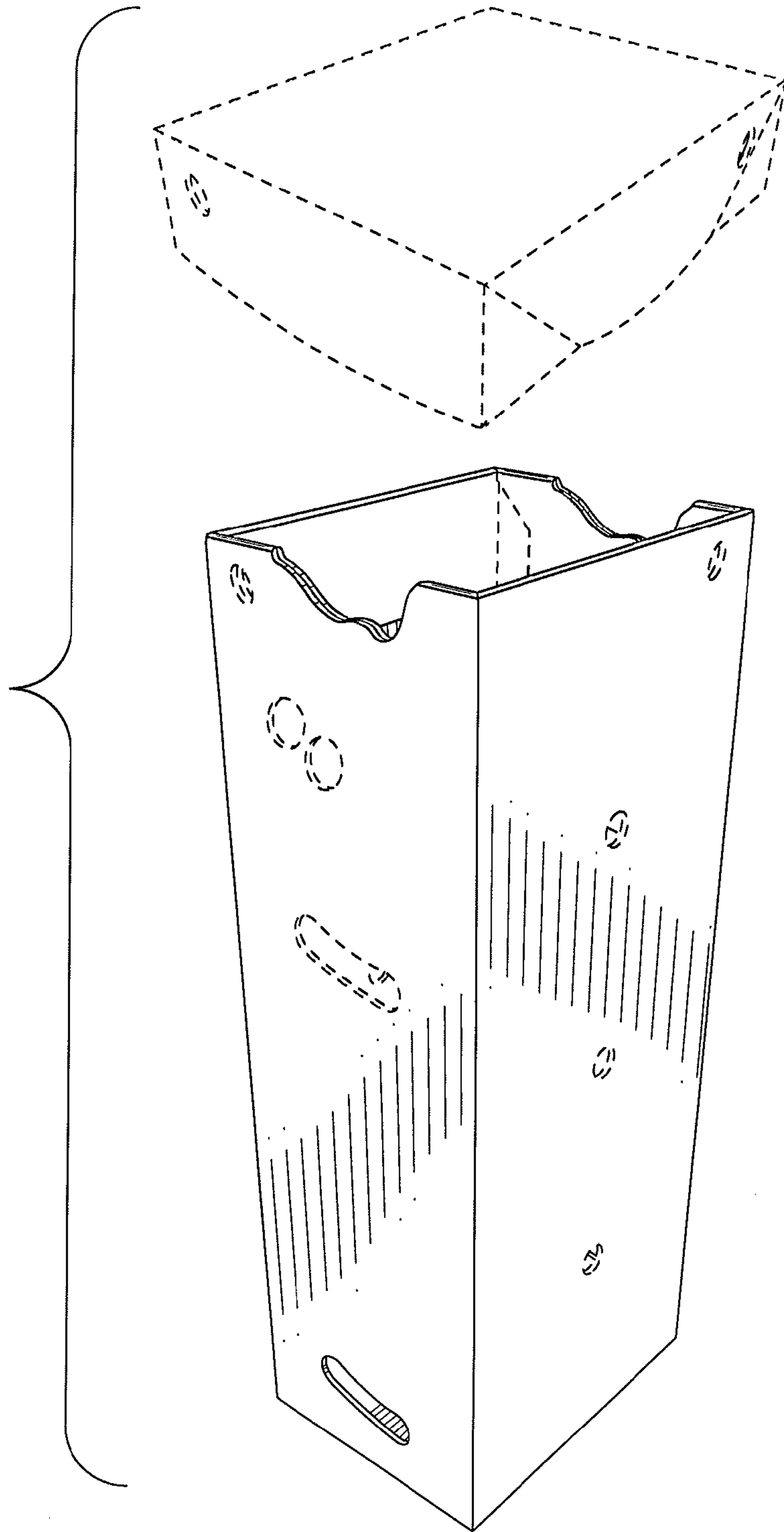


FIG. 11