



US00D709698S

(12) **United States Design Patent**  
**Brunner**

(10) **Patent No.:** **US D709,698 S**

(45) **Date of Patent:** **\*\* Jul. 29, 2014**

(54) **TOOL BOX**

(71) Applicant: **Keter Plastic Ltd.**, Herzelyia (IL)

(72) Inventor: **Yaron Brunner**, Timrat (IL)

(73) Assignee: **Keter Plastic Ltd.**, Herzelyia (IL)

(\*\*) Term: **14 Years**

(21) Appl. No.: **29/458,014**

(22) Filed: **Jun. 14, 2013**

(51) **LOC (10) Cl.** ..... **03-01**

(52) **U.S. Cl.**  
USPC ..... **D3/281; D3/905**

(58) **Field of Classification Search**  
CPC . B25H 3/02–3/028; B25H 3/00; B25H 3/003;  
B25H 3/006  
USPC ..... D3/273, 276, 279–284, 288, 291, 292,  
D3/293, 294, 295, 297, 905; 206/372–379;  
220/4.01

See application file for complete search history.

(56) **References Cited**

U.S. PATENT DOCUMENTS

5,826,718	A *	10/1998	Ahern et al. ....	206/372
D417,956	S *	12/1999	Story et al. ....	D3/281
D694,522	S *	12/2013	Horovitz .....	D3/281
D700,777	S *	3/2014	Shitrit et al. ....	D3/281
2003/0106821	A1 *	6/2003	Bar-Erez .....	206/373

\* cited by examiner

*Primary Examiner* — Jennifer Rivard

(74) *Attorney, Agent, or Firm* — Vorys, Sater, Seymour and Pease LLP; Susanne M. Hopkins; William L. Klima

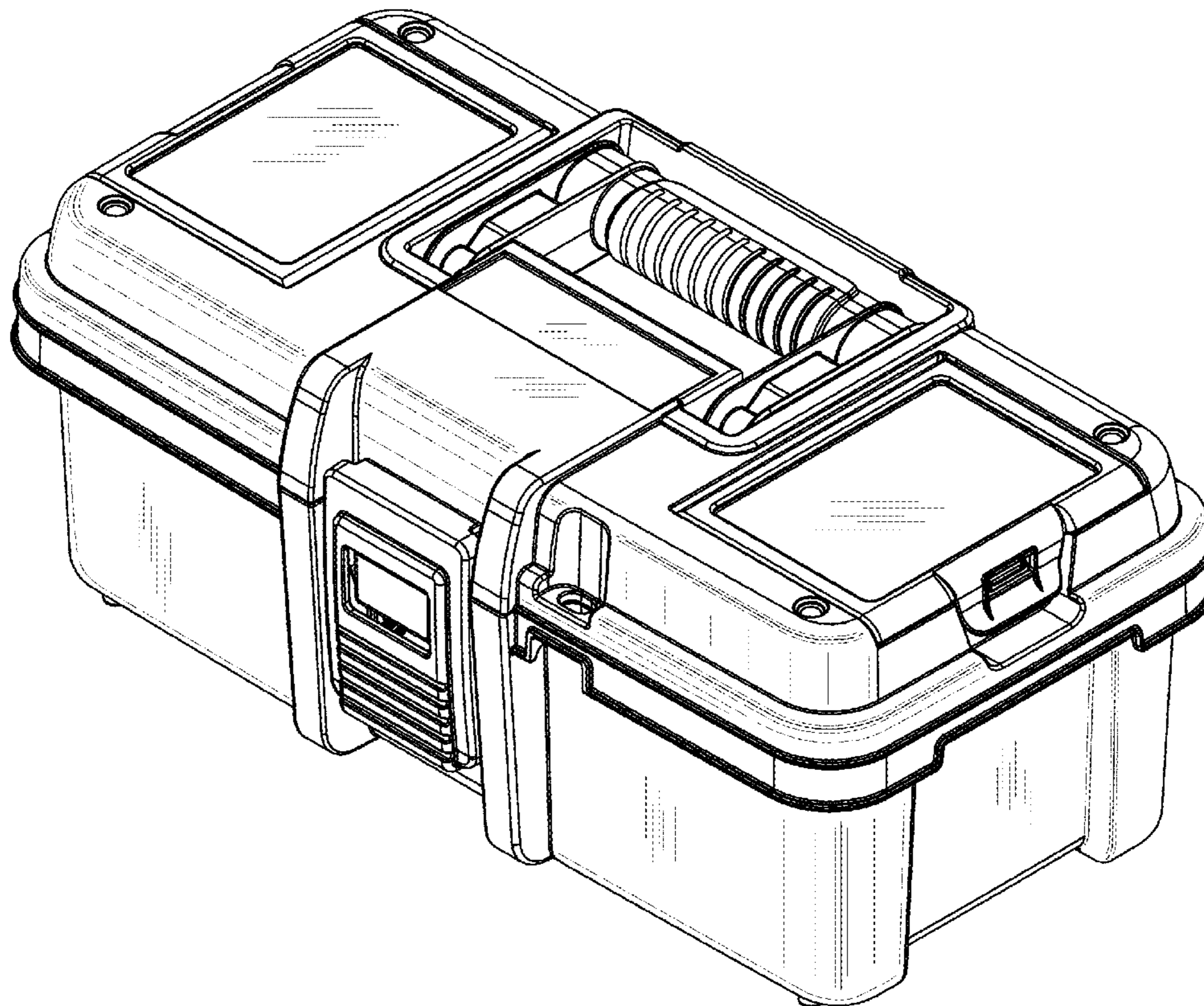
(57) **CLAIM**

The ornamental design for a tool box, as shown and described.

**DESCRIPTION**

FIG. 1 is a front perspective view of a tool box;  
FIG. 2 is a front elevational view thereof,  
FIG. 3 is a rear elevational view thereof,  
FIG. 4 is a right-side elevational view thereof,  
FIG. 5 is a left-side elevational view thereof; and,  
FIG. 6 is a top planar view thereof.

**1 Claim, 6 Drawing Sheets**



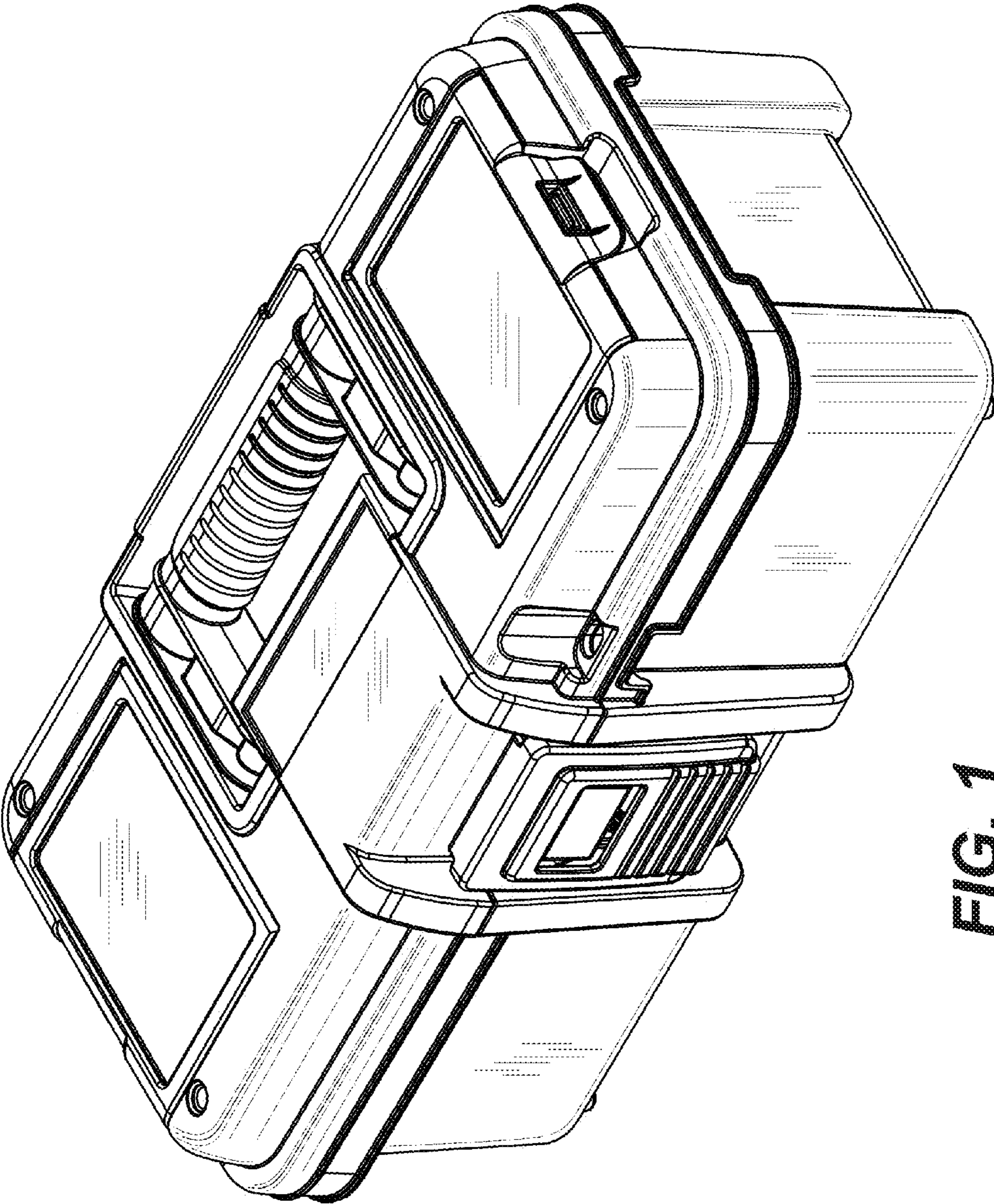
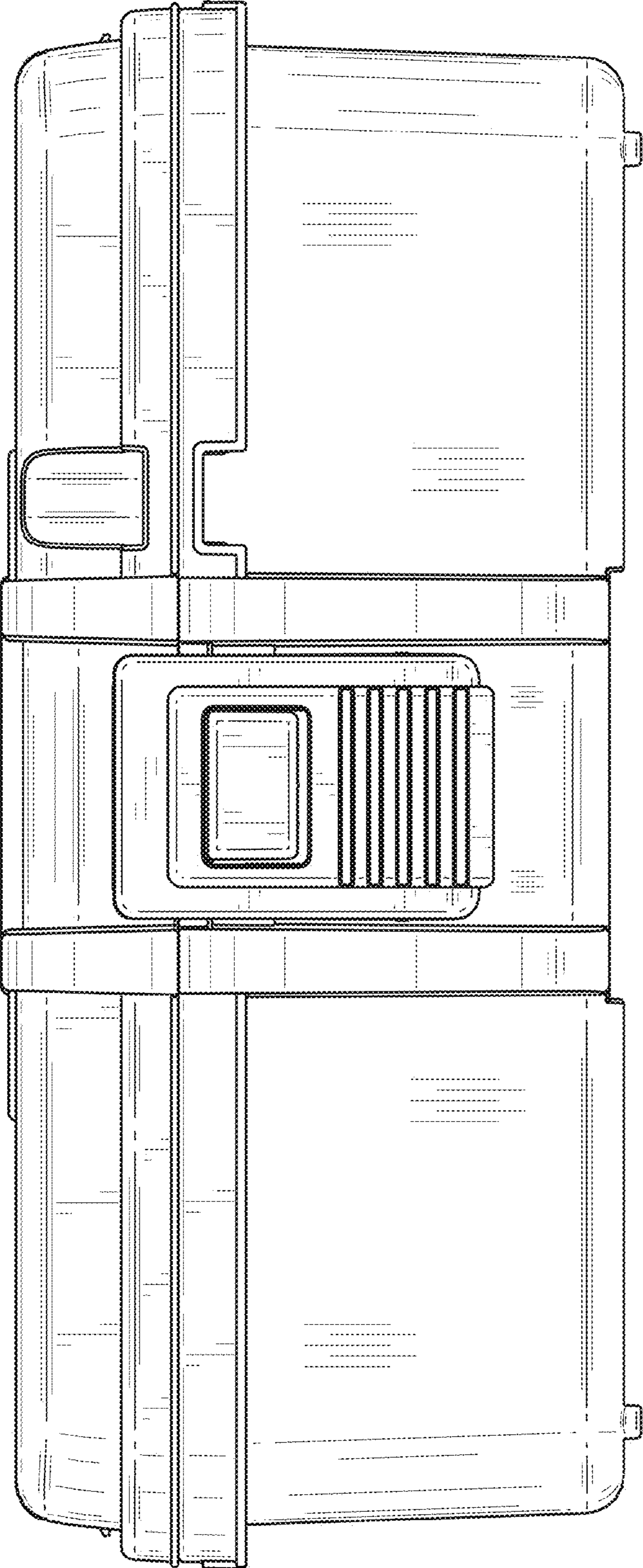
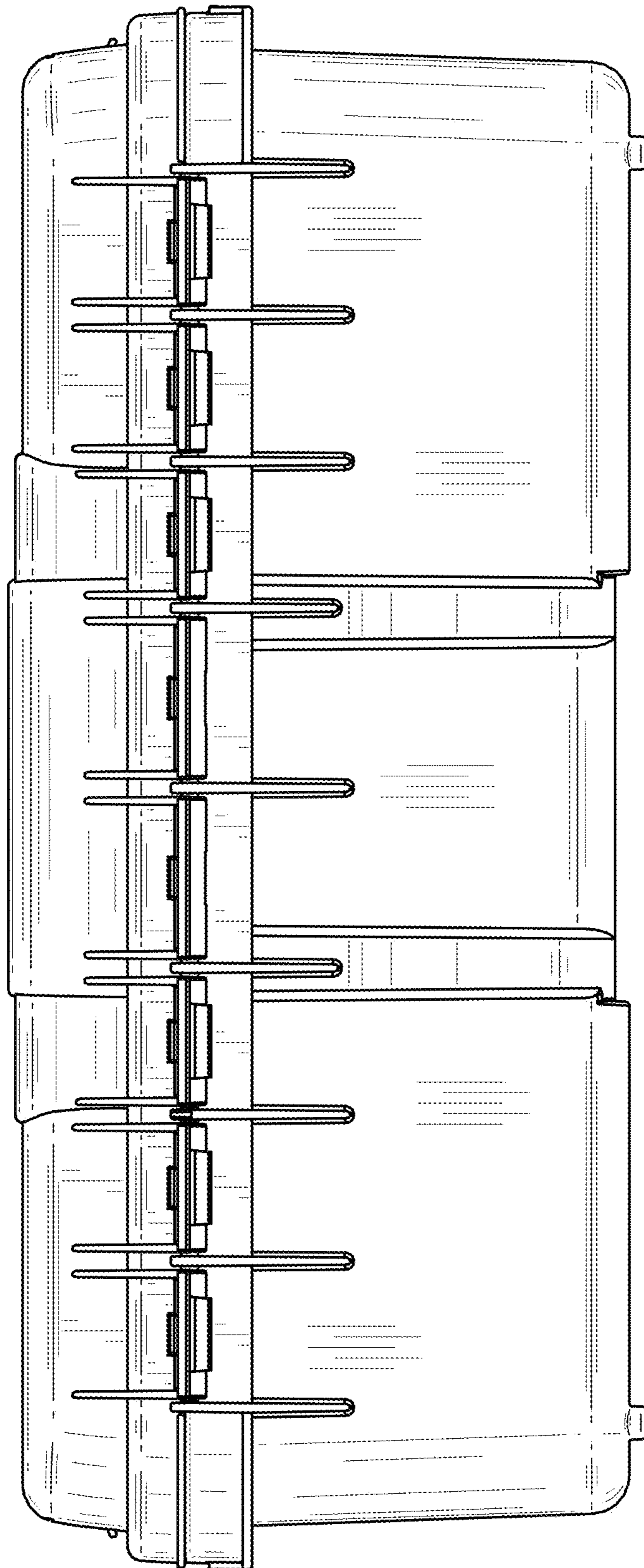


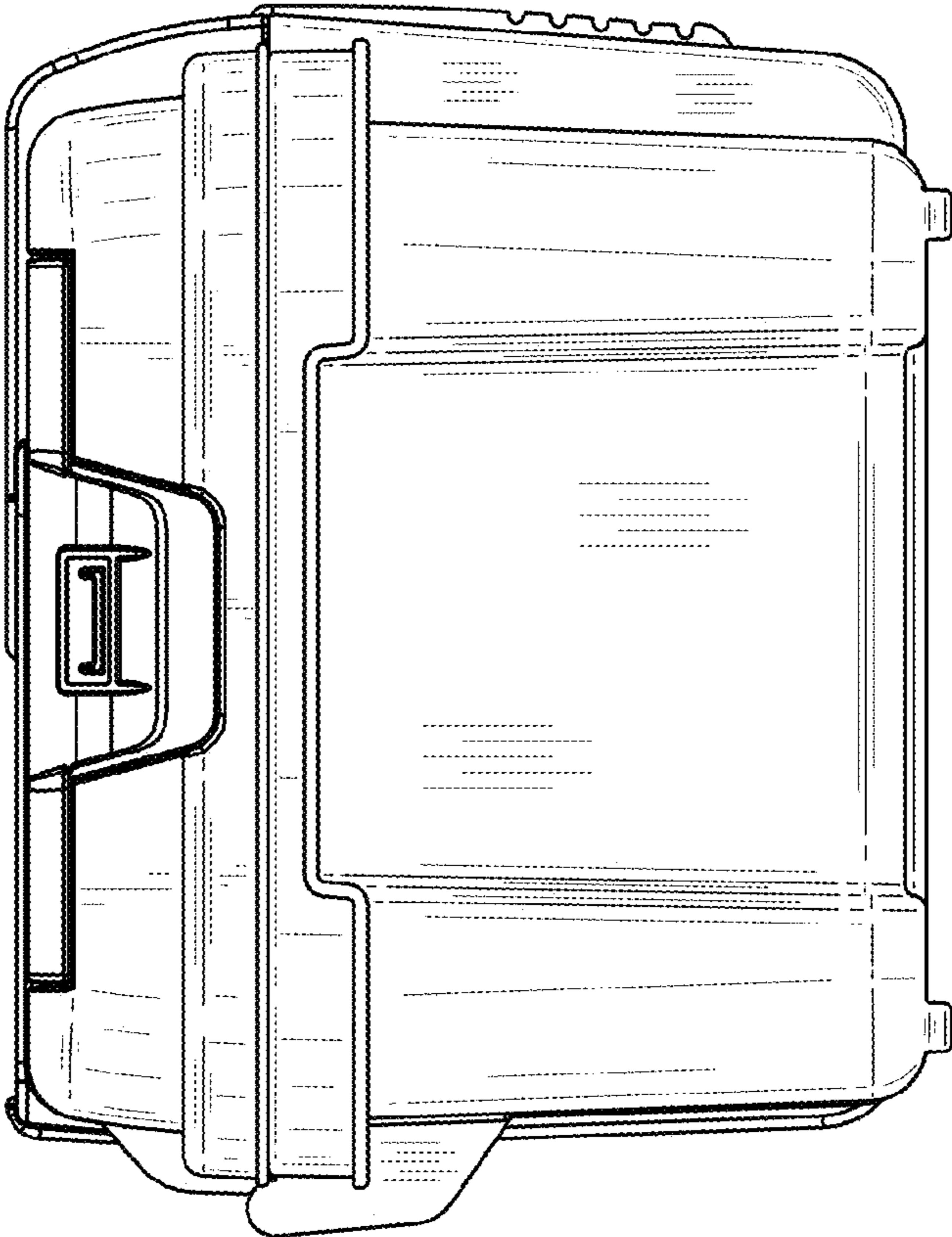
FIG. 1



**FIG. 2**



**FIG. 3**



**FIG. 4**

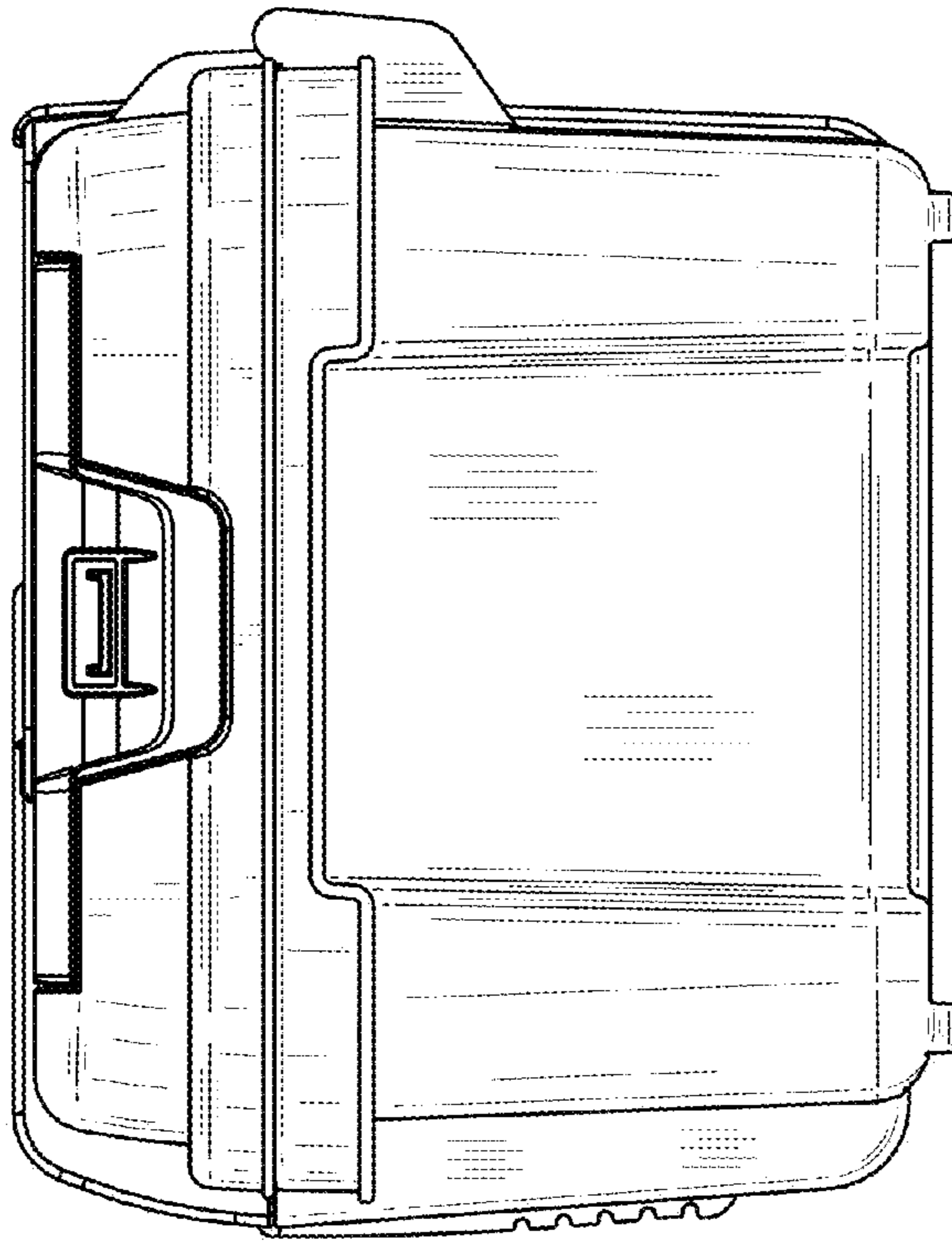
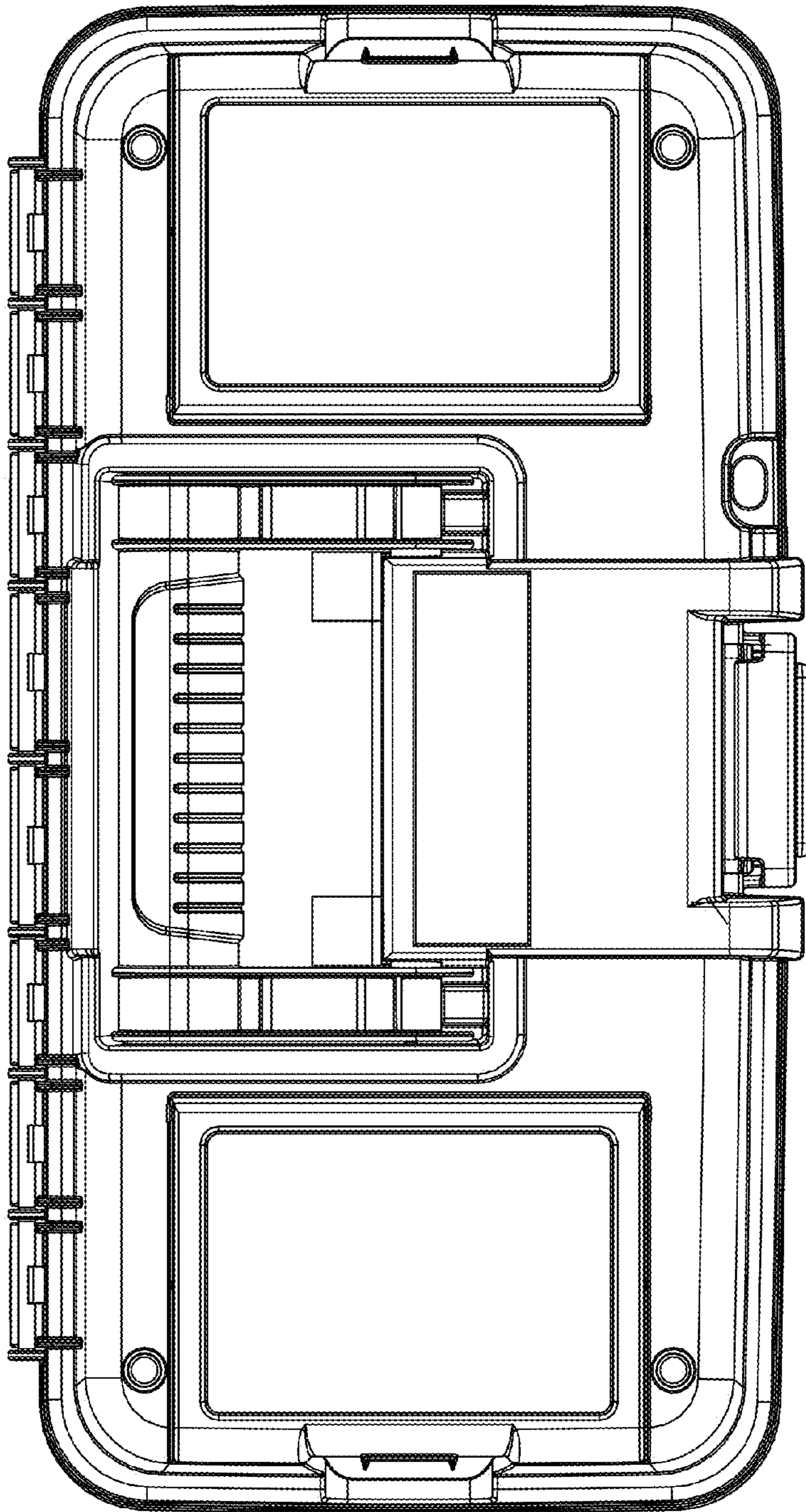


FIG. 5



**FIG. 6**