



US00D709697S

(12) **United States Design Patent**
Brunner

(10) **Patent No.:** **US D709,697 S**
(45) **Date of Patent:** **** Jul. 29, 2014**

(54) **TOOL BOX**

(56) **References Cited**

(71) Applicant: **Keter Plastic Ltd., Herzelyia (IL)**

U.S. PATENT DOCUMENTS

(72) Inventor: **Yaron Brunner, Timrat (IL)**

5,826,718 A * 10/1998 Ahern et al. 206/372

(73) Assignee: **Keter Plastic Ltd., Herzelyia (IL)**

D417,956 S * 12/1999 Story et al. D3/281

(**) Term: **14 Years**

D694,522 S * 12/2013 Horovitz D3/281

(21) Appl. No.: **29/457,969**

D700,777 S * 3/2014 Shitrit et al. D3/281

(22) Filed: **Jun. 14, 2013**

2003/0106821 A1 * 6/2003 Bar-Erez 206/373

(51) **LOC (10) Cl.** **03-01**

* cited by examiner

(52) **U.S. Cl.**

Primary Examiner — Jennifer Rivard

USPC **D3/281; D3/905**

(74) *Attorney, Agent, or Firm* — Vorys, Sater, Seymour and Pease LLP; Susanne M. Hopkins; William L. Klima

(58) **Field of Classification Search**

CPC . B25H 3/02–3/028; B25H 3/00; B25H 3/003;

B25H 3/006

USPC D3/273, 276, 279–284, 288, 291, 292,

D3/293, 294, 295, 297, 905; 206/372–379;

220/4.01

(57) **CLAIM**

The ornamental design for a tool box, as shown and described.

DESCRIPTION

FIG. 1 is a front perspective view of a tool box;

FIG. 2 is a front elevational view thereof,

FIG. 3 is a rear elevational view thereof,

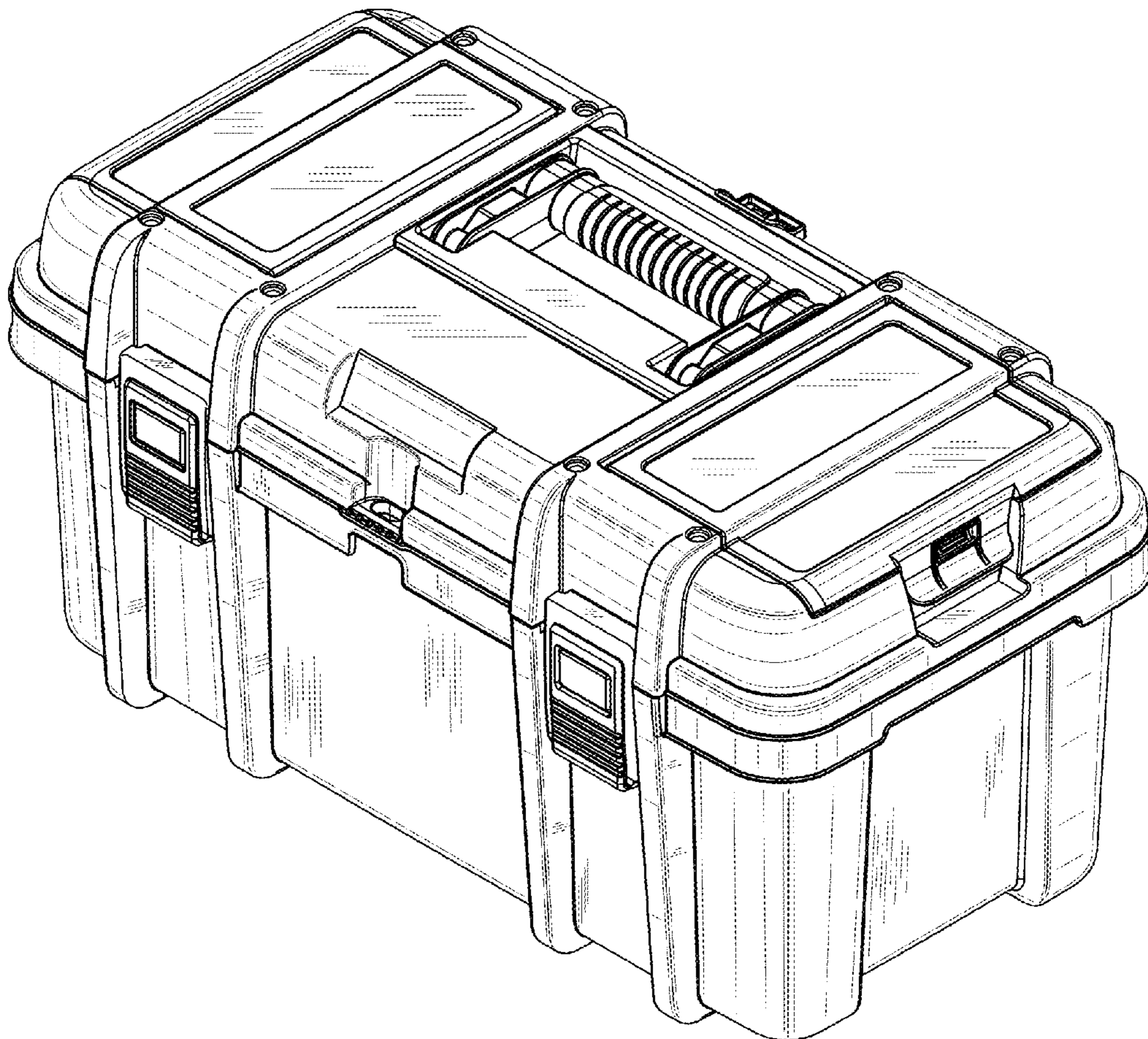
FIG. 4 is a right-side elevational view thereof,

FIG. 5 is a left-side elevational view thereof; and,

FIG. 6 is a top planar view thereof.

See application file for complete search history.

1 Claim, 6 Drawing Sheets



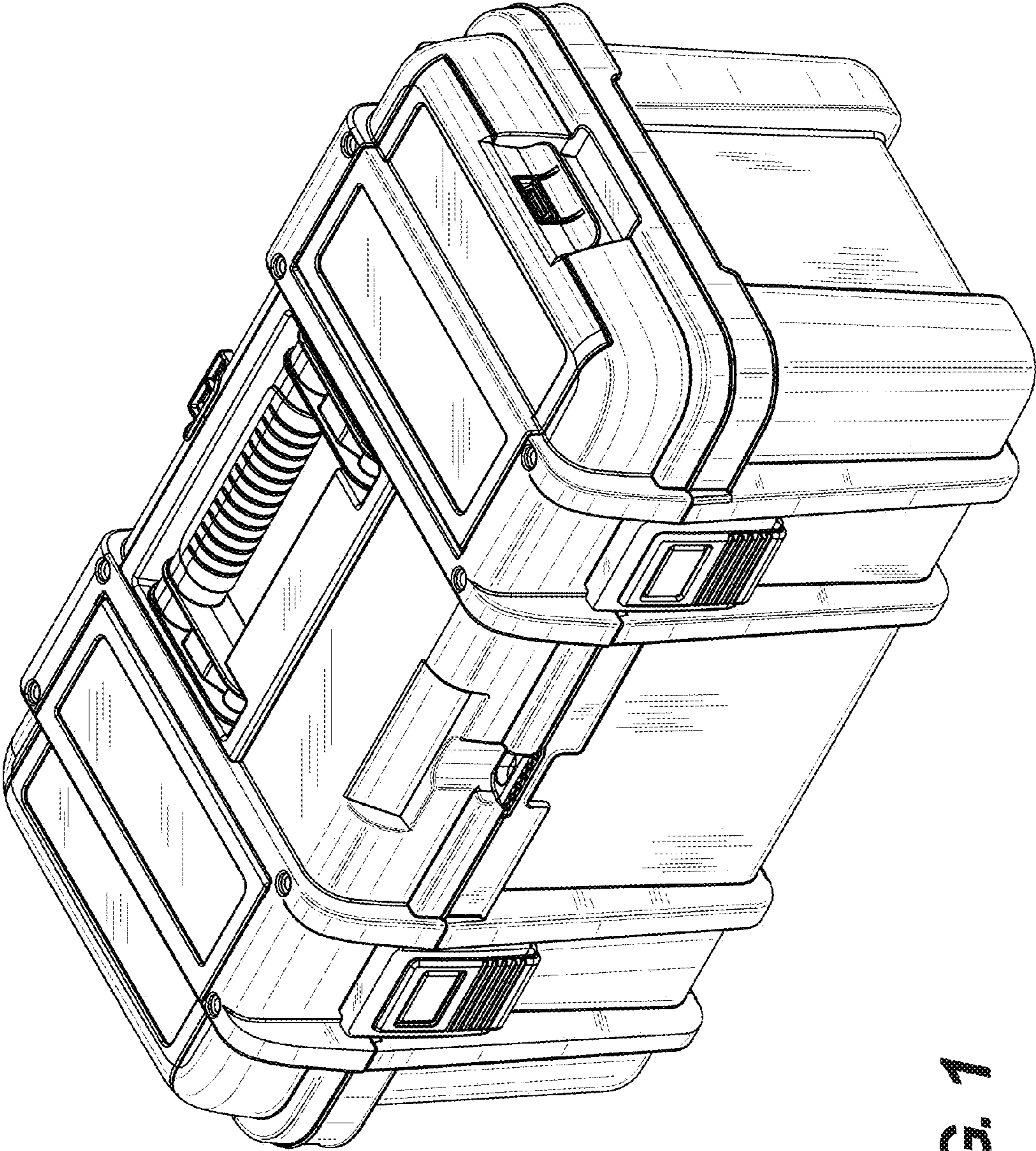


FIG. 1

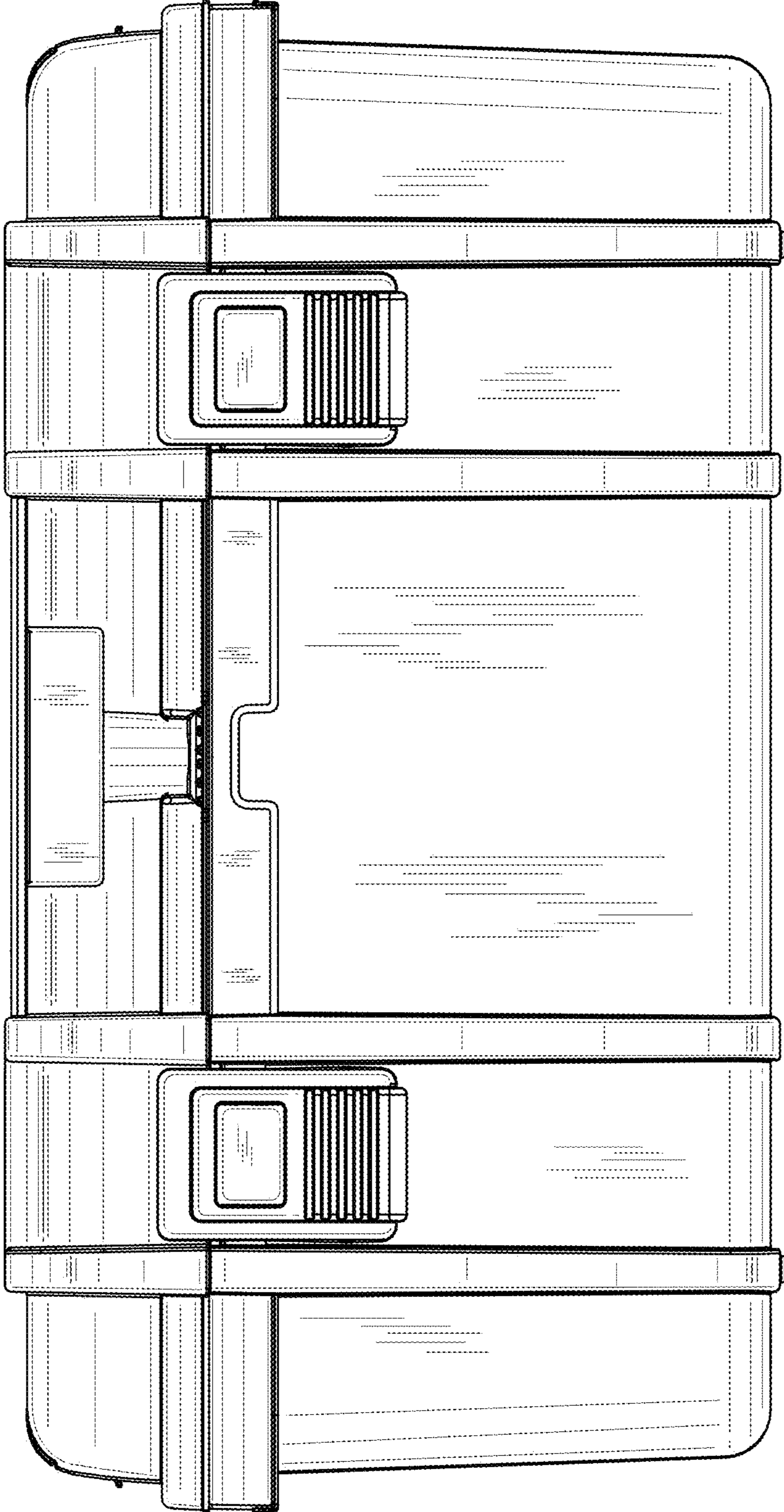


FIG. 2

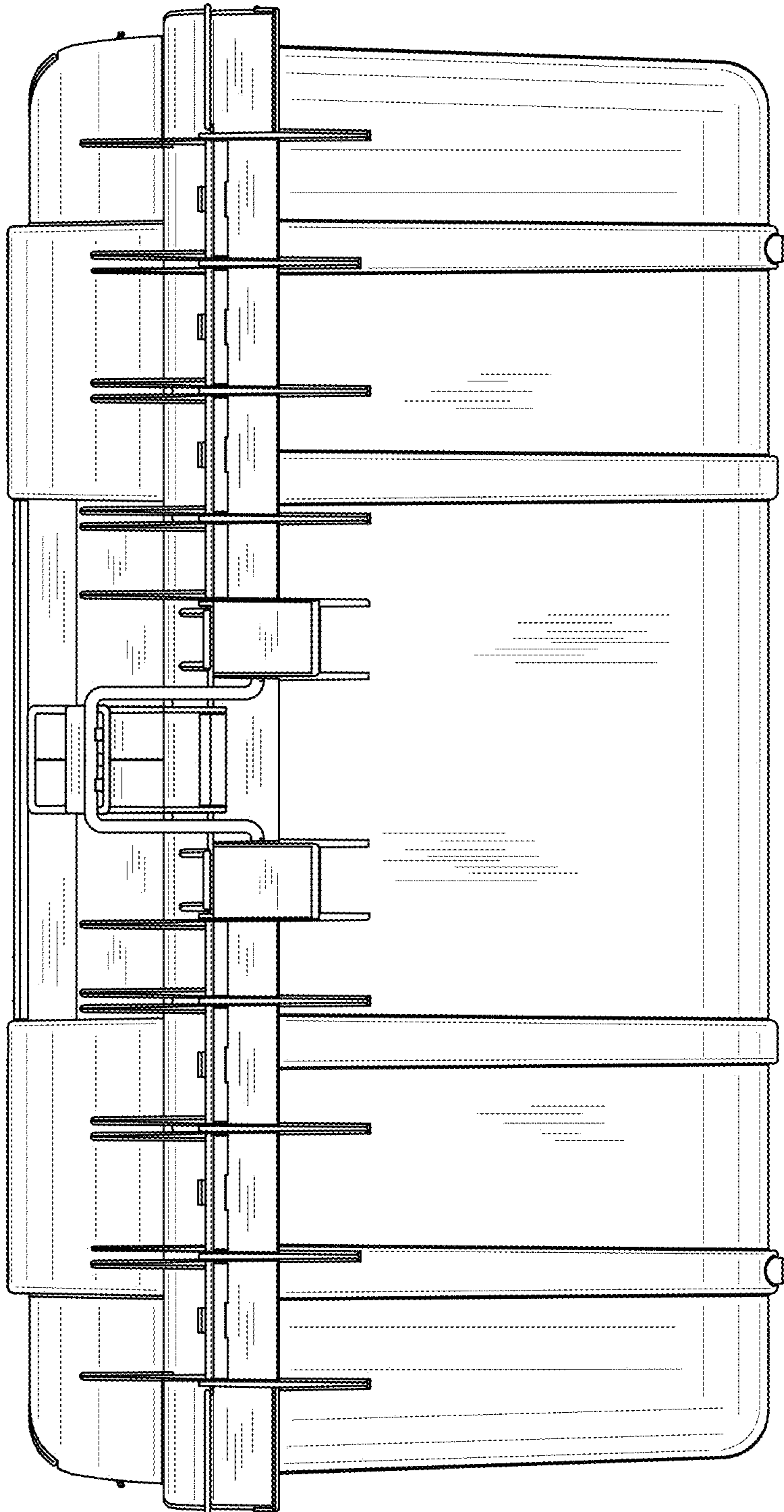


FIG. 3

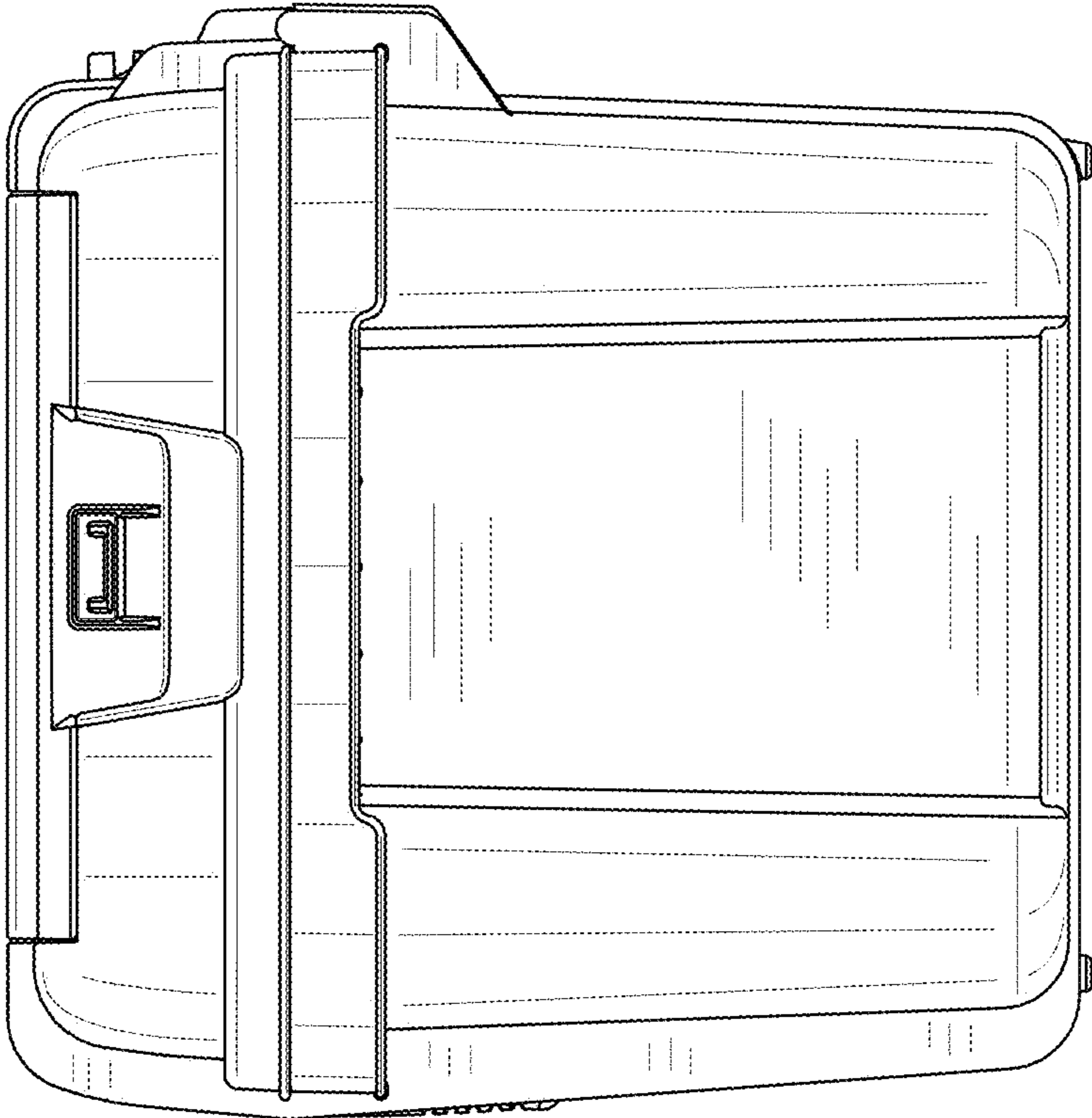


FIG. 4

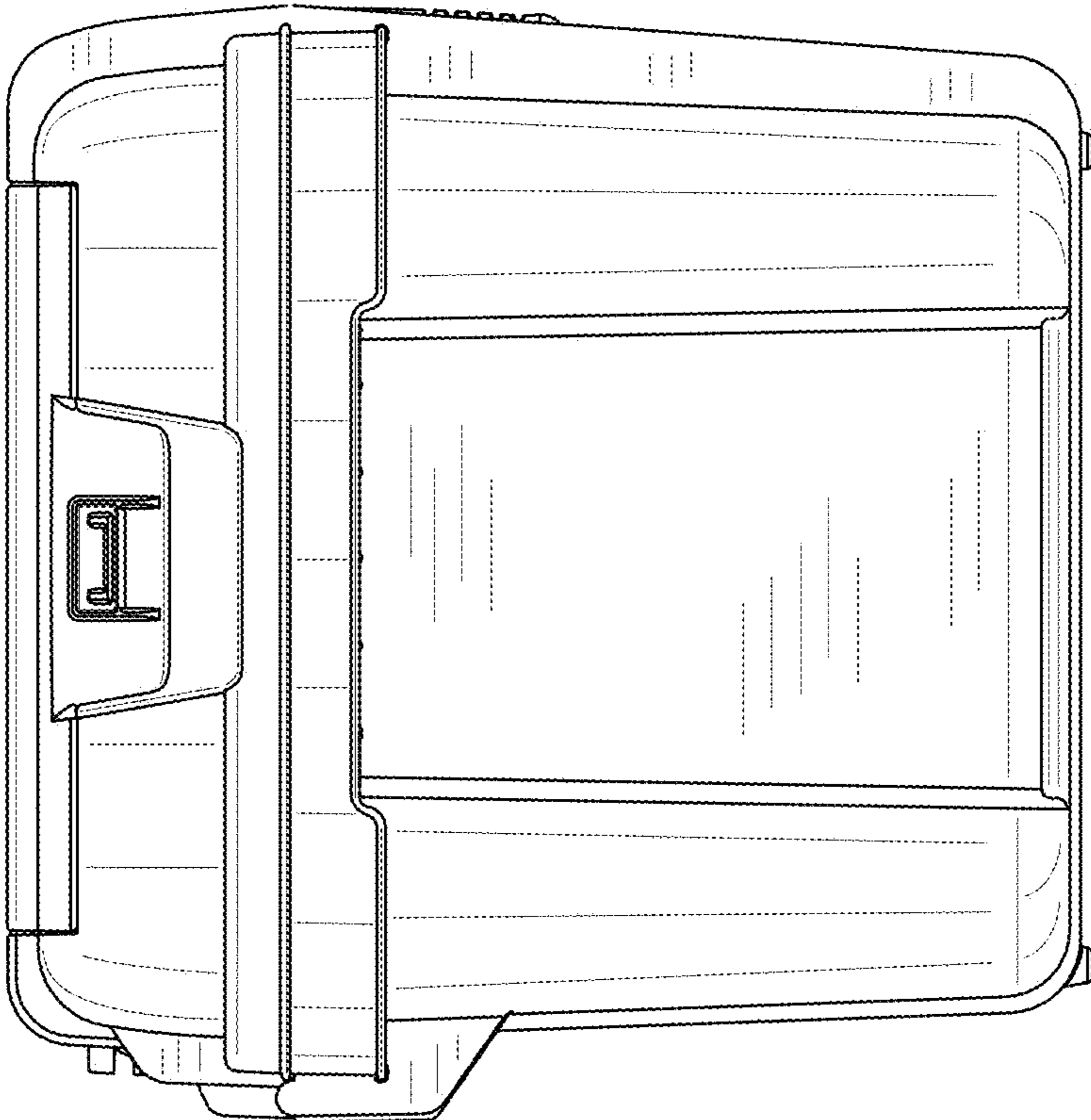


FIG. 5

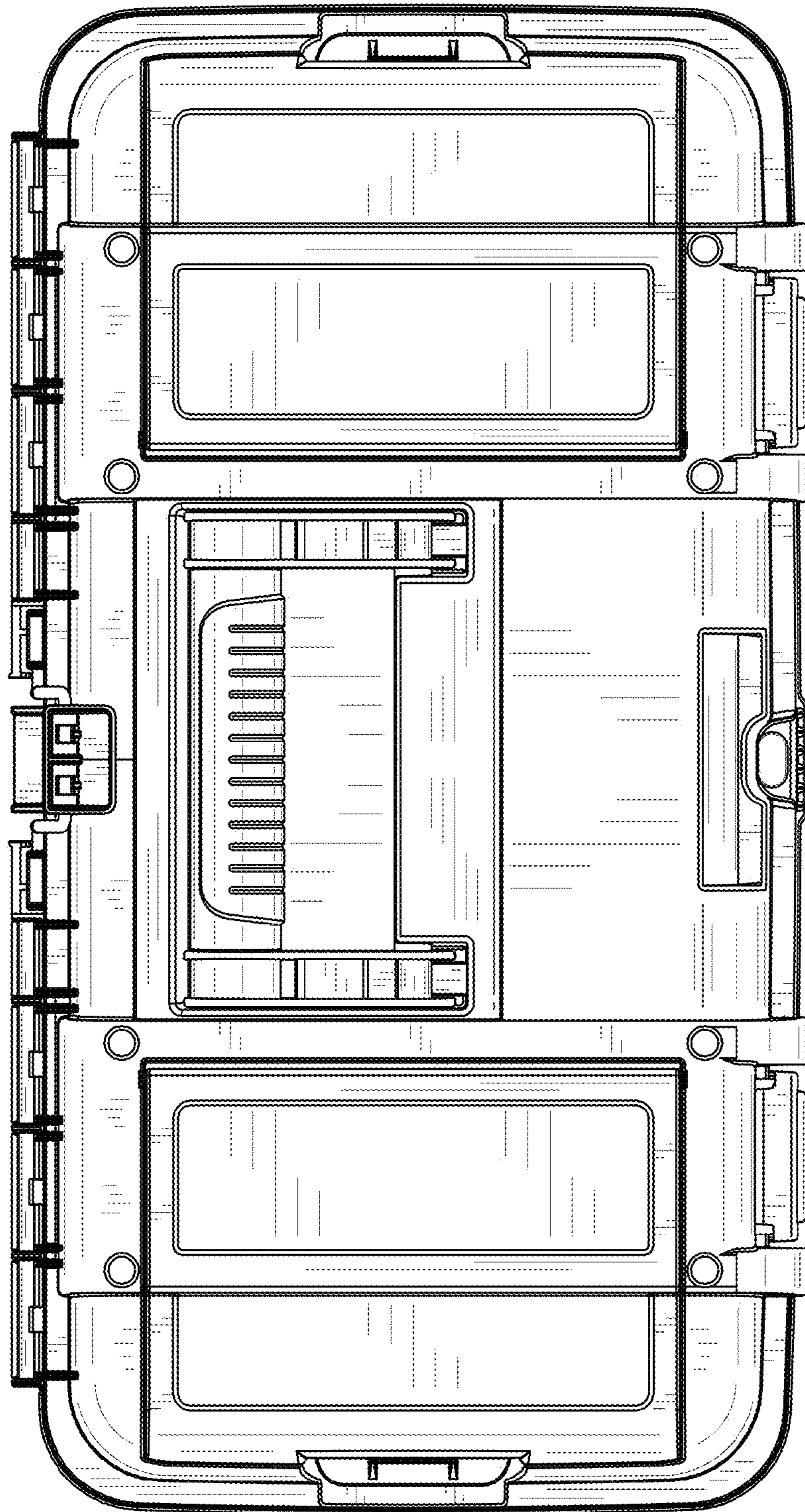


FIG. 6