



US00D709695S

(12) **United States Design Patent**
Yu

(10) **Patent No.:** **US D709,695 S**
(45) **Date of Patent:** **** Jul. 29, 2014**

(54) **LUGGAGE BAG**

(71) Applicant: **Travelers Club Luggage, Inc.**, La
Palma, CA (US)

(72) Inventor: **Peter Yu**, La Palma, CA (US)

(73) Assignee: **Travelers Club Luggage, Inc.**, La
Palma, CA (US)

(**) Term: **14 Years**

(21) Appl. No.: **29/479,836**

(22) Filed: **Jan. 21, 2014**

(51) **LOC (10) Cl.** **03-01**

(52) **U.S. Cl.**
USPC **D3/279**

(58) **Field of Classification Search**
USPC D3/272, 276, 278, 279, 273, 274, 281,
D3/289, 321; 190/100–127, 903, 37, 39,
190/18 A, 1, 15.1, 19–40
See application file for complete search history.

(56) **References Cited**

U.S. PATENT DOCUMENTS

6,193,033 B1 * 2/2001 Sadow et al. 190/18 A
D548,461 S * 8/2007 Bettua et al. D3/279
7,398,868 B2 * 7/2008 Morszeck 190/110
D639,555 S * 6/2011 Moon D3/279

D664,355 S * 7/2012 Moon D3/279
D672,955 S * 12/2012 Benshetrit D3/279
2004/0065519 A1 * 4/2004 Morszeck 190/110
2007/0158156 A1 * 7/2007 Chen 190/11
2008/0047792 A1 * 2/2008 Bettua et al. 190/107
2008/0135365 A1 * 6/2008 Han 190/107

* cited by examiner

Primary Examiner — Jennifer Rivard

(74) *Attorney, Agent, or Firm* — Trojan Law Offices

(57) **CLAIM**

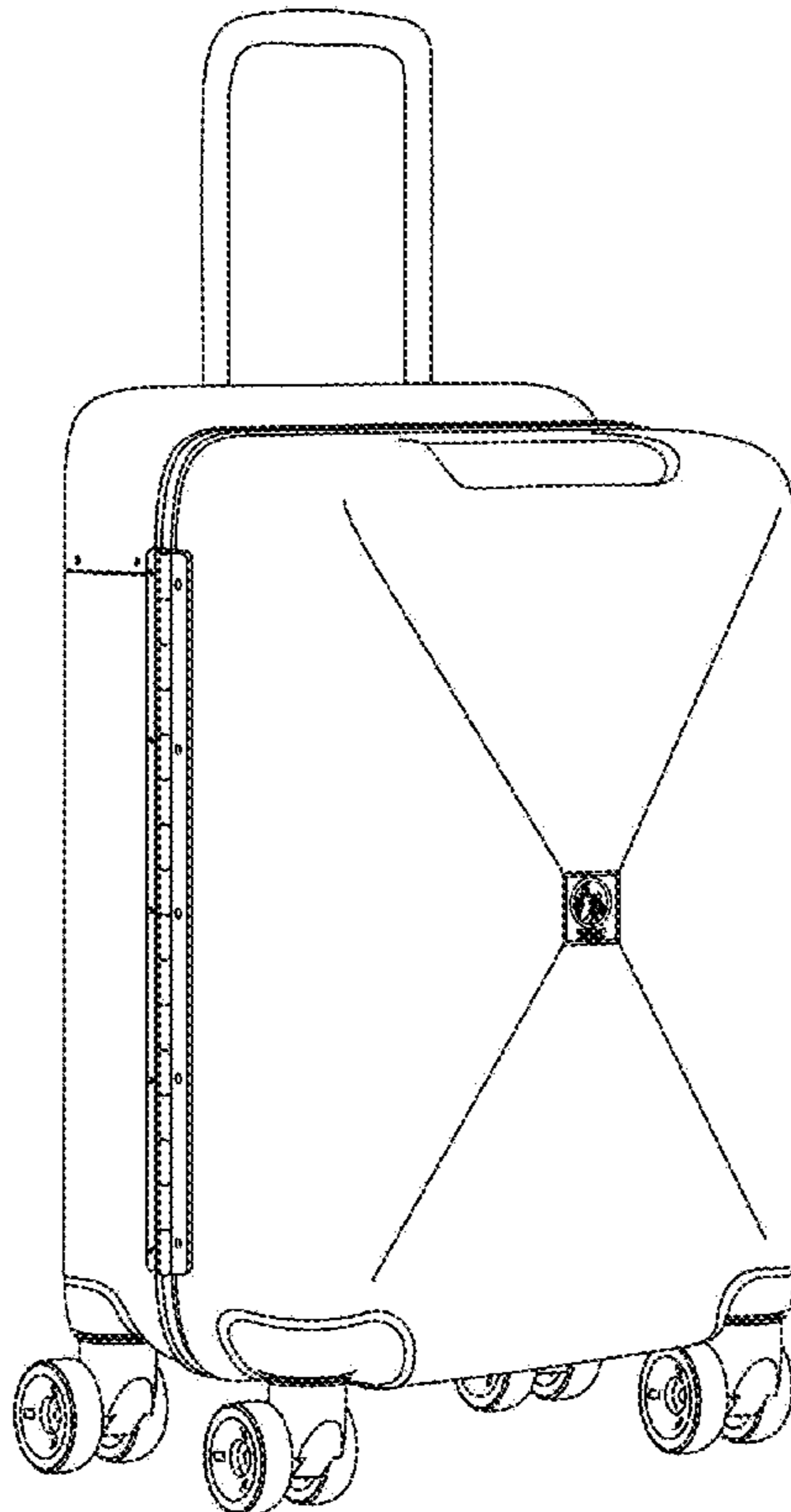
The ornamental design for a luggage bag, as shown and described.

DESCRIPTION

FIG. 1 is a perspective view of a luggage bag showing my new design;
FIG. 2 is a front view of the luggage bag shown in FIG. 1;
FIG. 3 is a rear view of the luggage bag shown in FIG. 1;
FIG. 4 is a left side view of the luggage bag shown in FIG. 1;
FIG. 5 is a right side view of the luggage bag shown in FIG. 1;
FIG. 6 is a top view of the luggage bag shown in FIG. 1; and,
FIG. 7 is a perspective view of the top portion of the luggage bag shown in FIG. 1.

The broken away view of the top portion in FIG. 7 is disclosed for convenience of illustration.

1 Claim, 7 Drawing Sheets



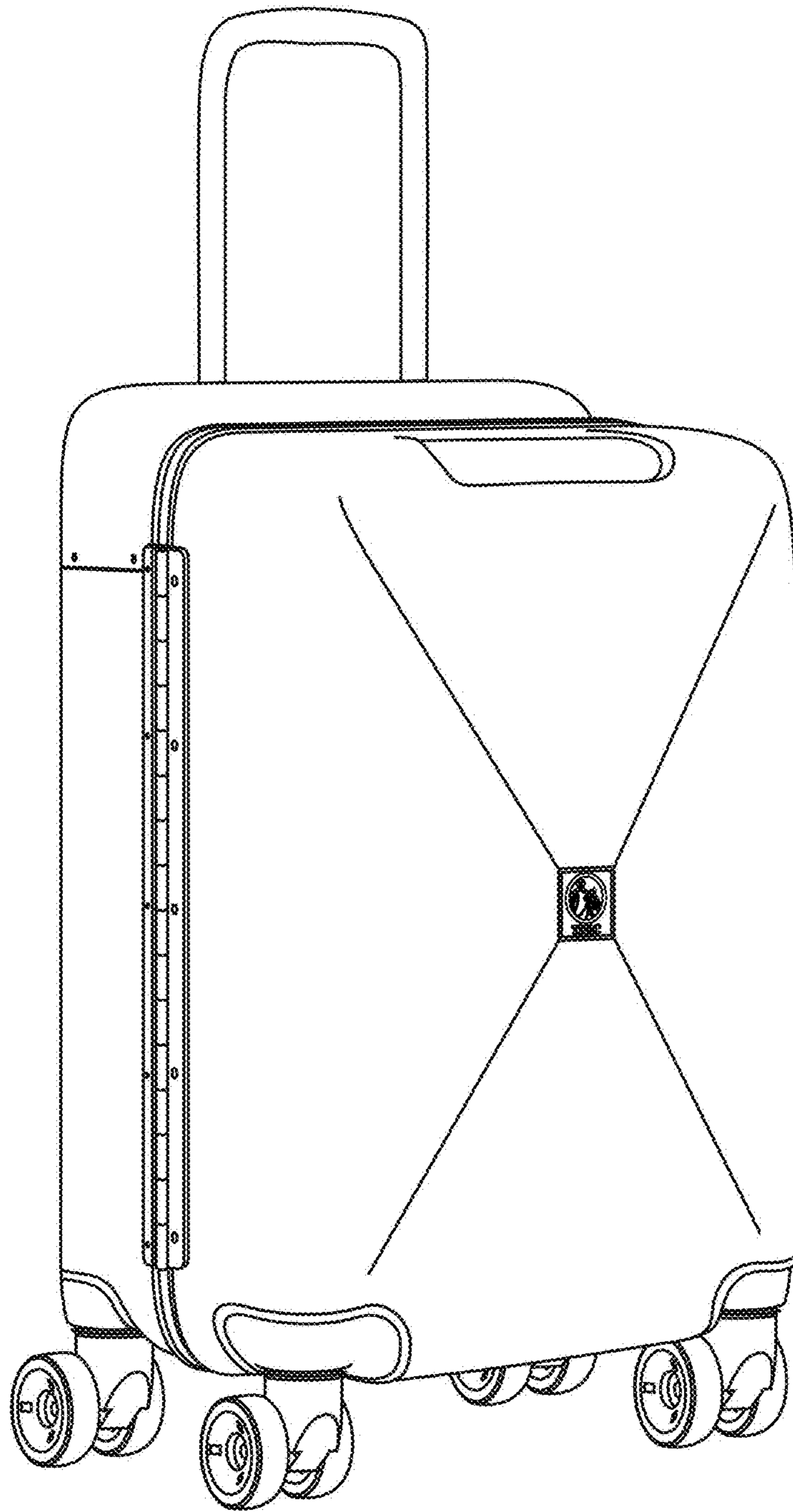


Fig. 1

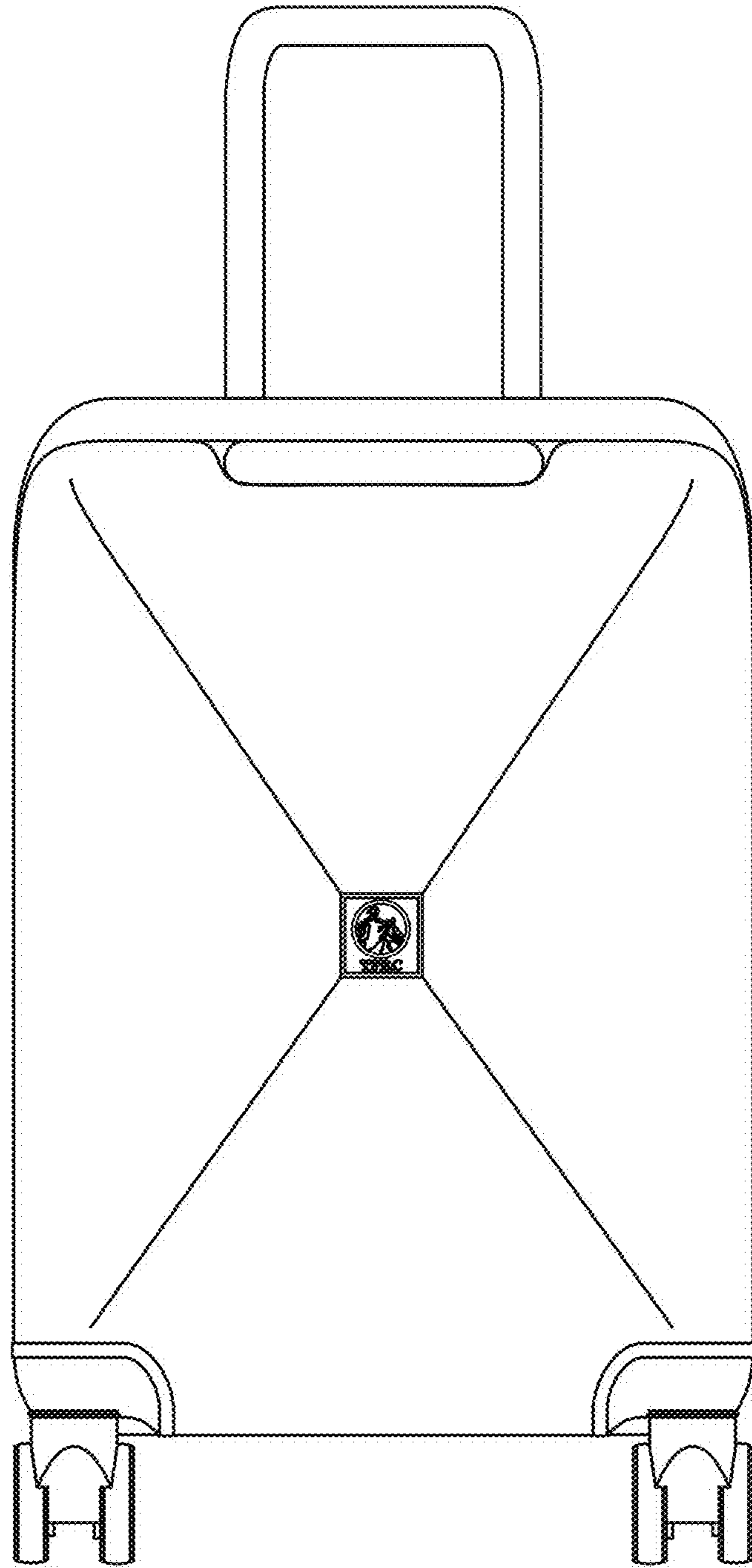


Fig. 2

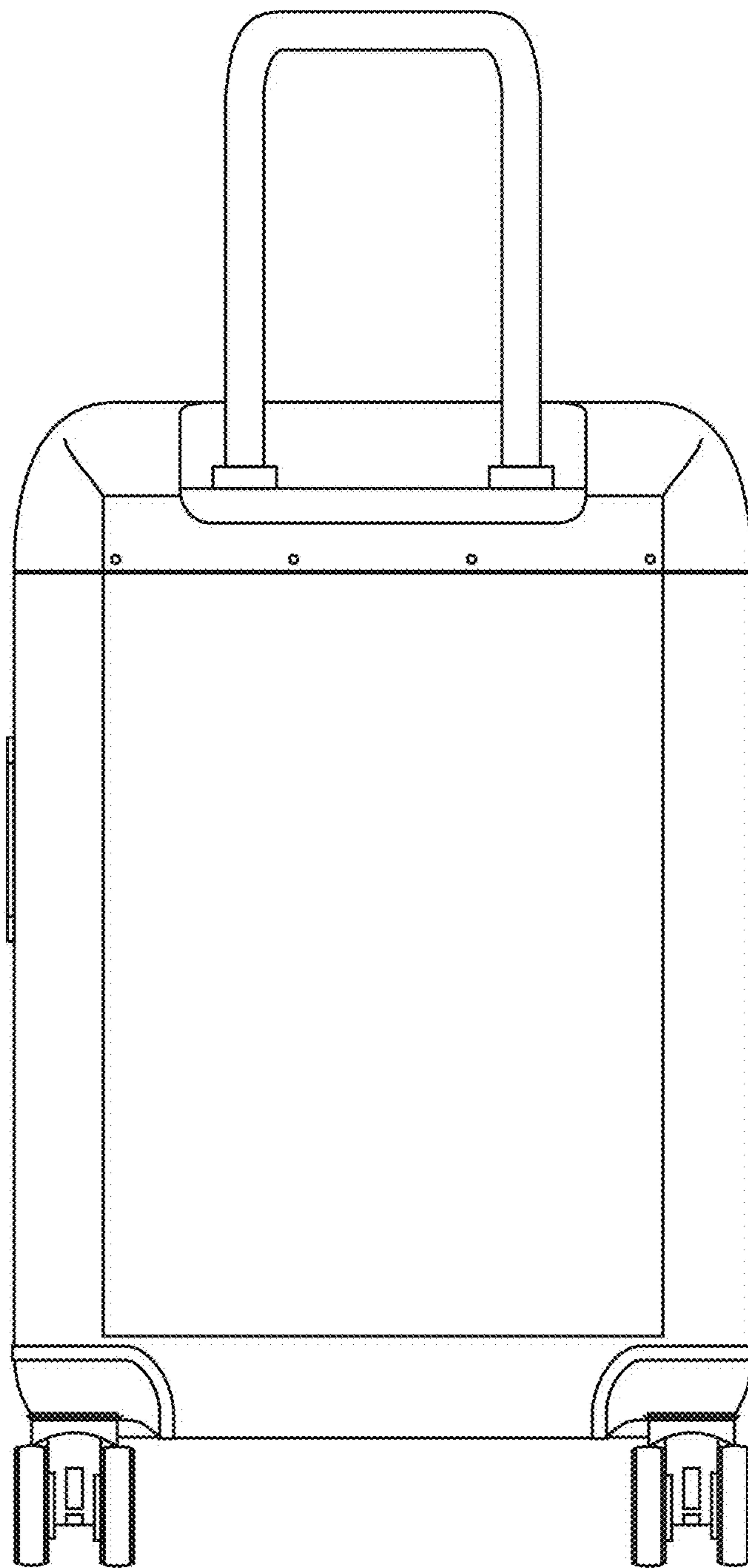


Fig. 3

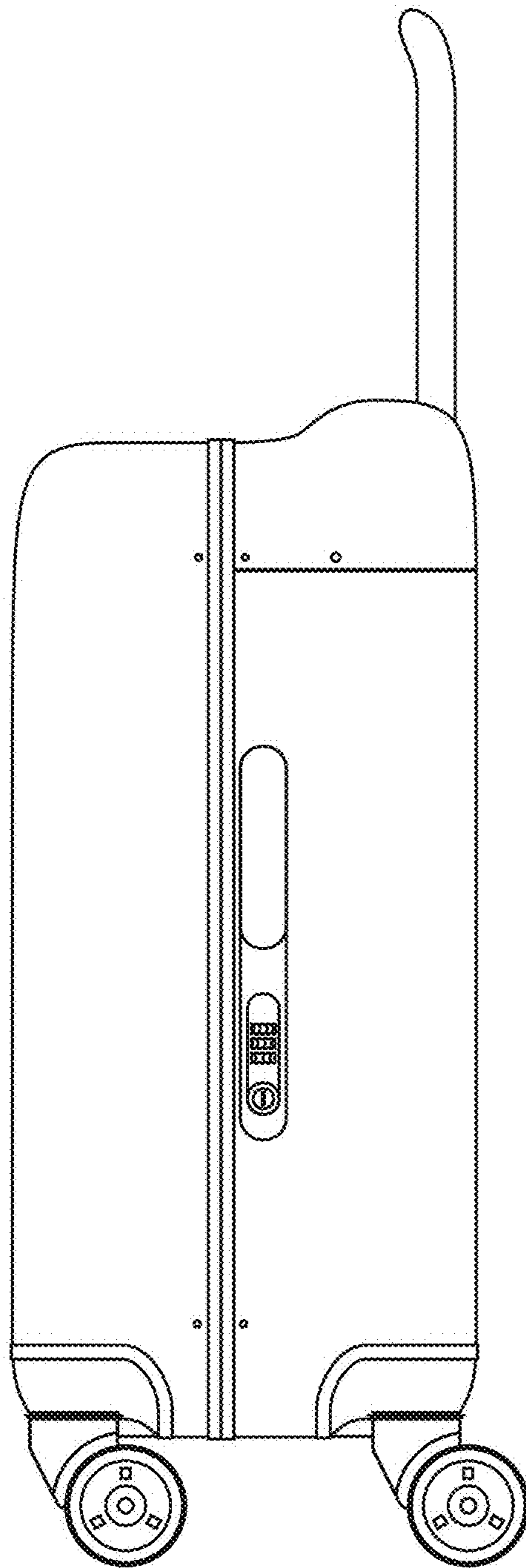


Fig. 4

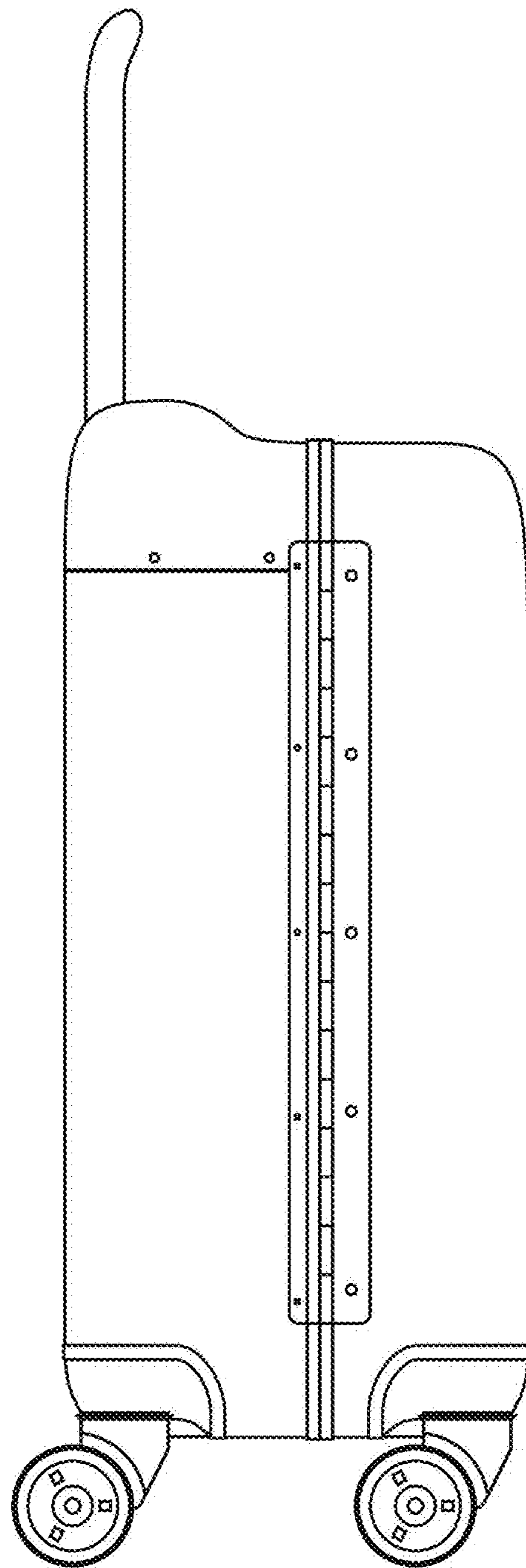


Fig. 5

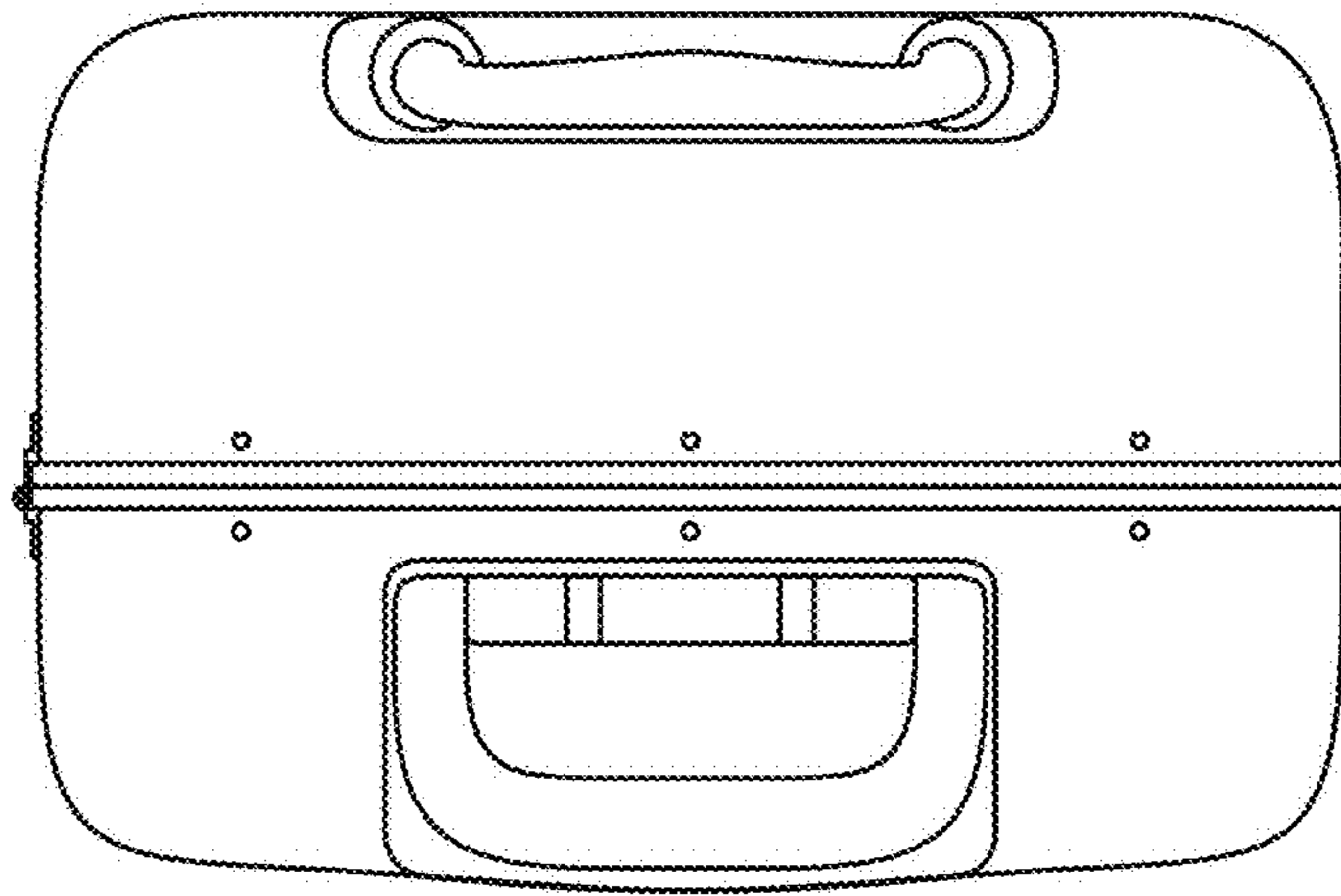


Fig. 6

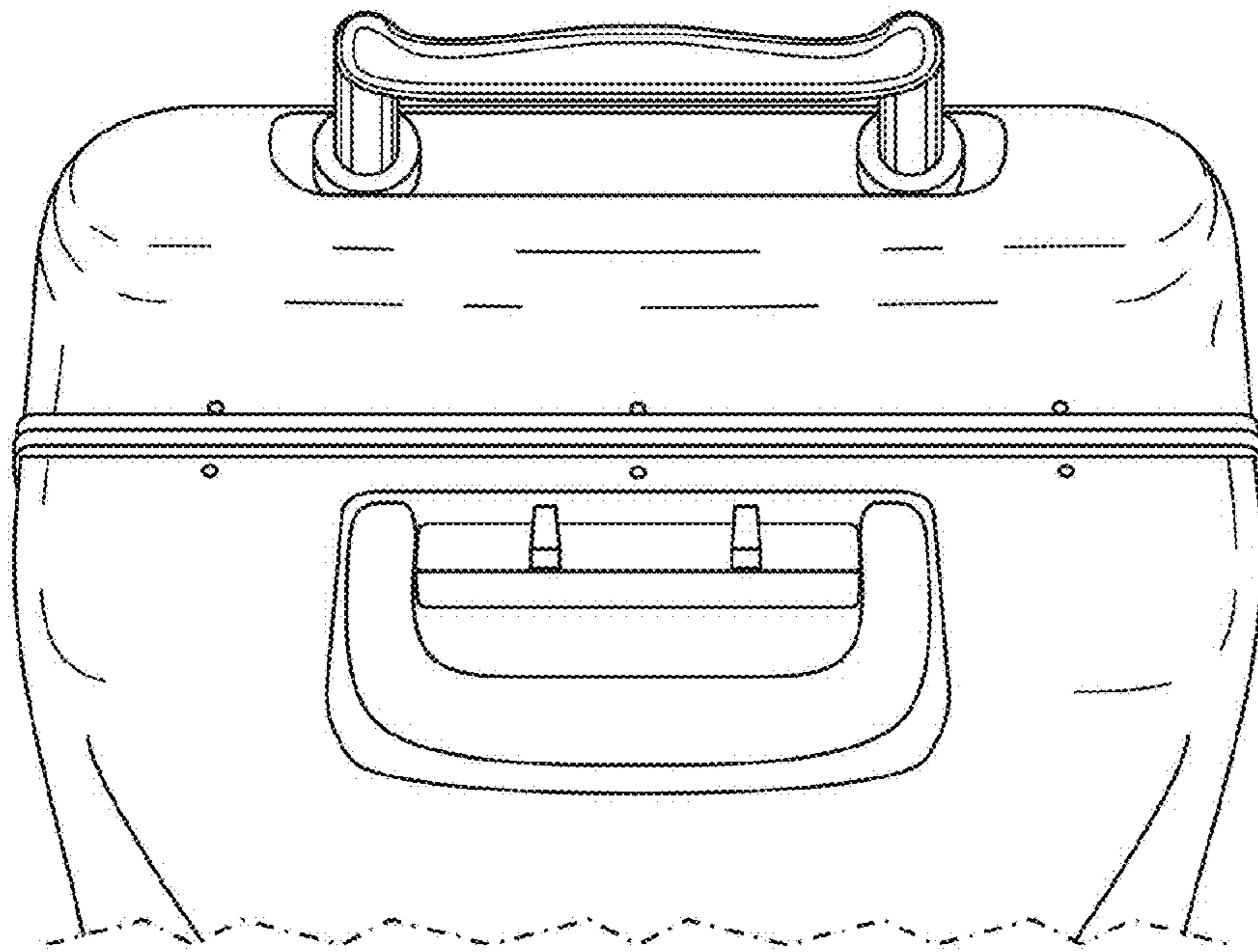


Fig. 7