



US00D709690S

(12) **United States Design Patent**
Zhang

(10) **Patent No.:** **US D709,690 S**
(45) **Date of Patent:** **** Jul. 29, 2014**

(54) **FOLDER LEATHER CASE FOR SMART PHONE**

(74) *Attorney, Agent, or Firm* — Gary E. Lambert; David J. Connaughton, Jr.; Lambert & Associates

(76) Inventor: **Yu Long Zhang**, Brooklyn, NY (US)

(57) **CLAIM**

(**) Term: **14 Years**

The ornamental design for a folder leather case for smart phone, as shown and described.

(21) Appl. No.: **29/426,820**

DESCRIPTION

(22) Filed: **Jul. 11, 2012**

(51) **LOC (10) Cl.** **03-01**

FIG. 1 is an isometric view of the front of the folder leather case for smart phone, which embodies my design;

(52) **U.S. Cl.**

FIG. 2 is an isometric view of the rear of the folder leather case for smart phone;

USPC **D3/218**

(58) **Field of Classification Search**

CPC A45C 2011/001; A45C 2011/002;
A45C 2011/003

FIG. 3 is a bottom plan of the folder leather case for smart phone;

USPC D3/218, 219, 215, 201, 303;

FIG. 4 is a top plan view of the folder leather case for smart phone;

224/240–241, 245, 578, 674, 676–681,

FIG. 5 is a top plan view of the folder leather case for smart phone with the case unfolded;

224/901, 904; 206/305, 320;

FIG. 6 is bottom plan view of the folder leather case for smart phone with the case unfolded;

455/575.1–575.8; 379/455

See application file for complete search history.

FIG. 7 is a right side view of the folder leather case for smart phone;

(56) **References Cited**

U.S. PATENT DOCUMENTS

D359,616 S * 6/1995 Ishibashi et al. D3/218

FIG. 8 is a left side view of the folder leather case for smart phone;

D674,592 S * 1/2013 Basmaji D3/218

FIG. 9 is an isometric view of the right side of the folder leather case for smart phone; and,

D695,007 S * 12/2013 Zhang D3/218

FIG. 10 is an isometric view of the left side of the folder leather case for smart phone.

* cited by examiner

Primary Examiner — Catheri Oliver-Garcia

1 Claim, 7 Drawing Sheets

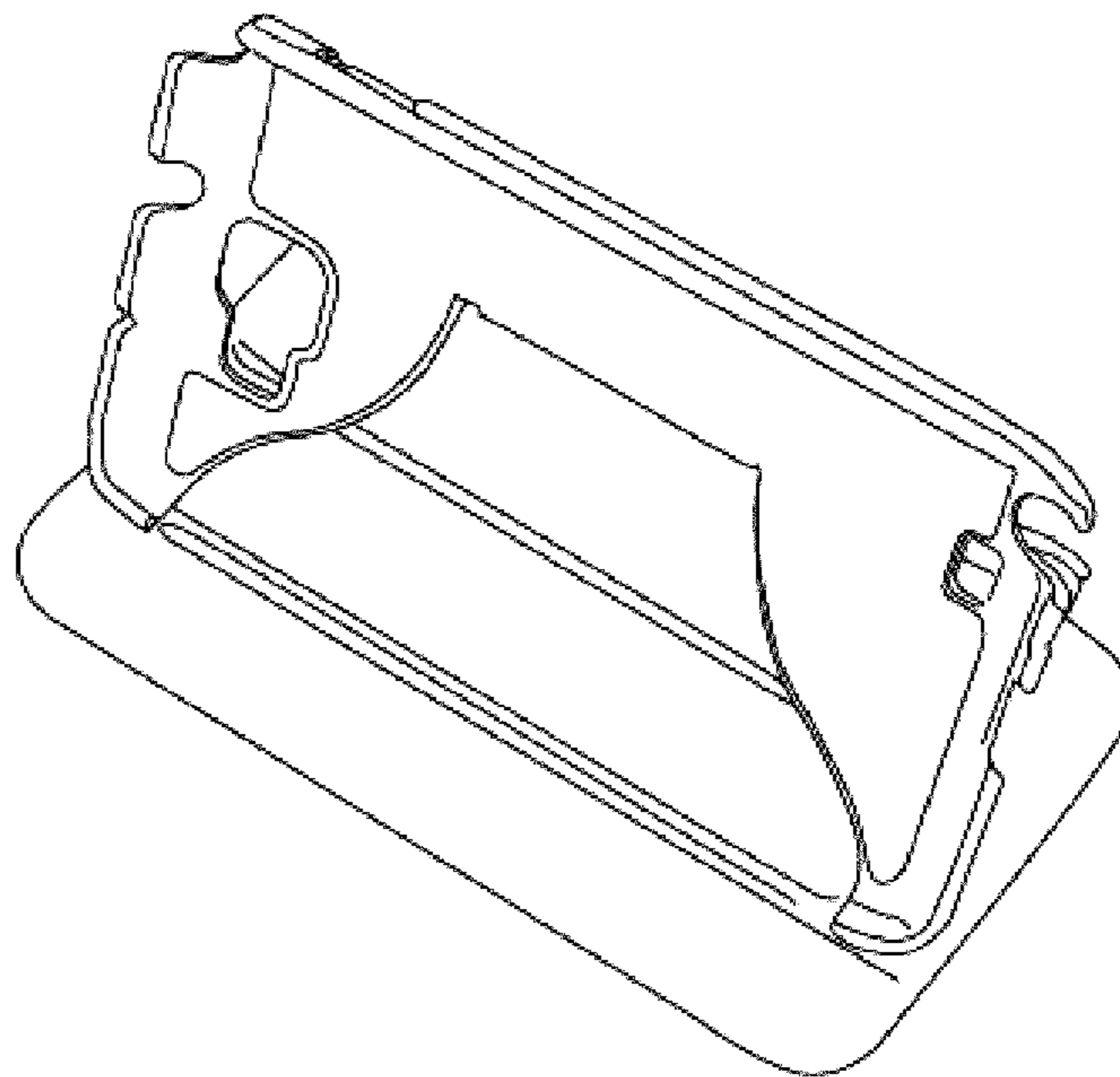




Fig. 1

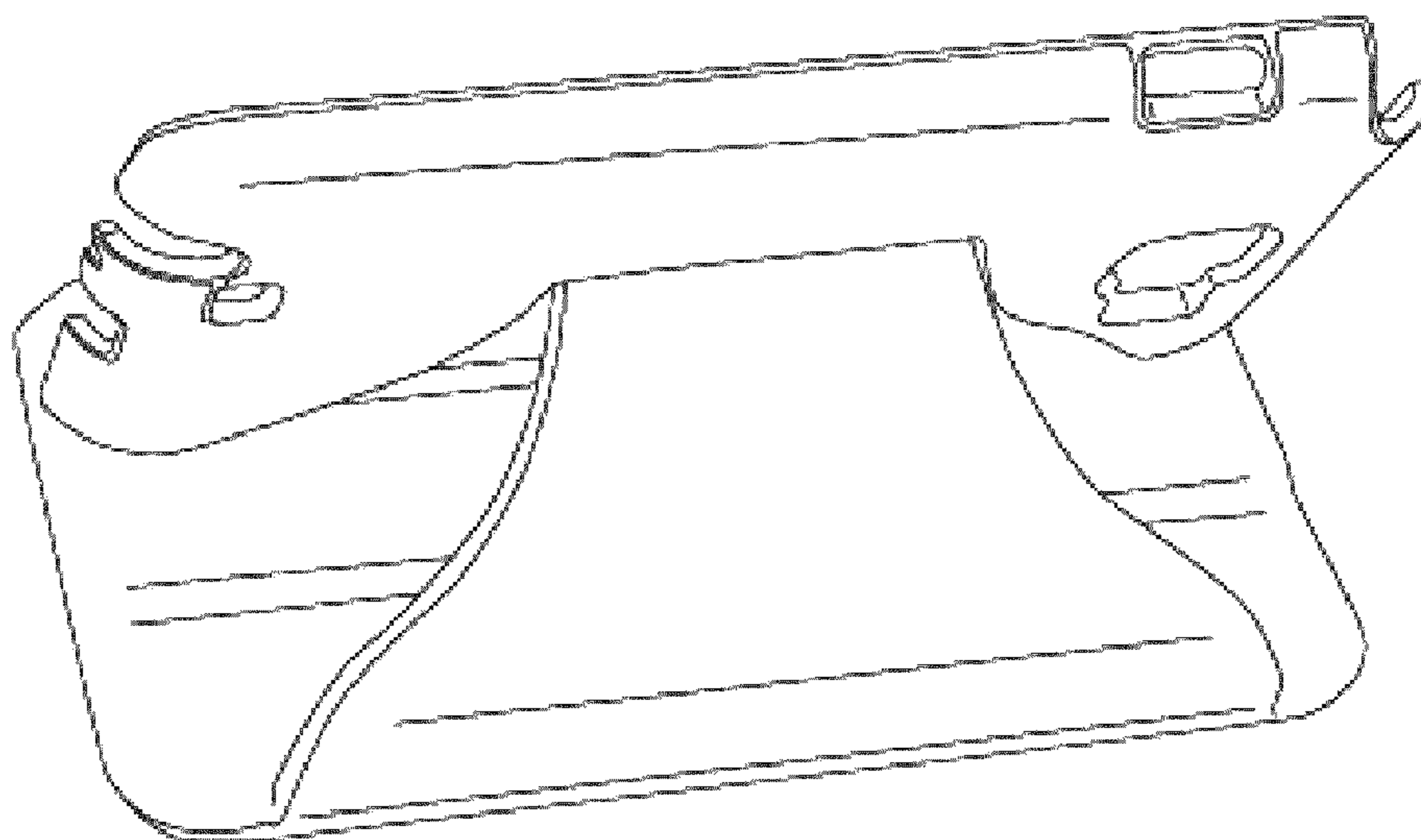


Fig. 2

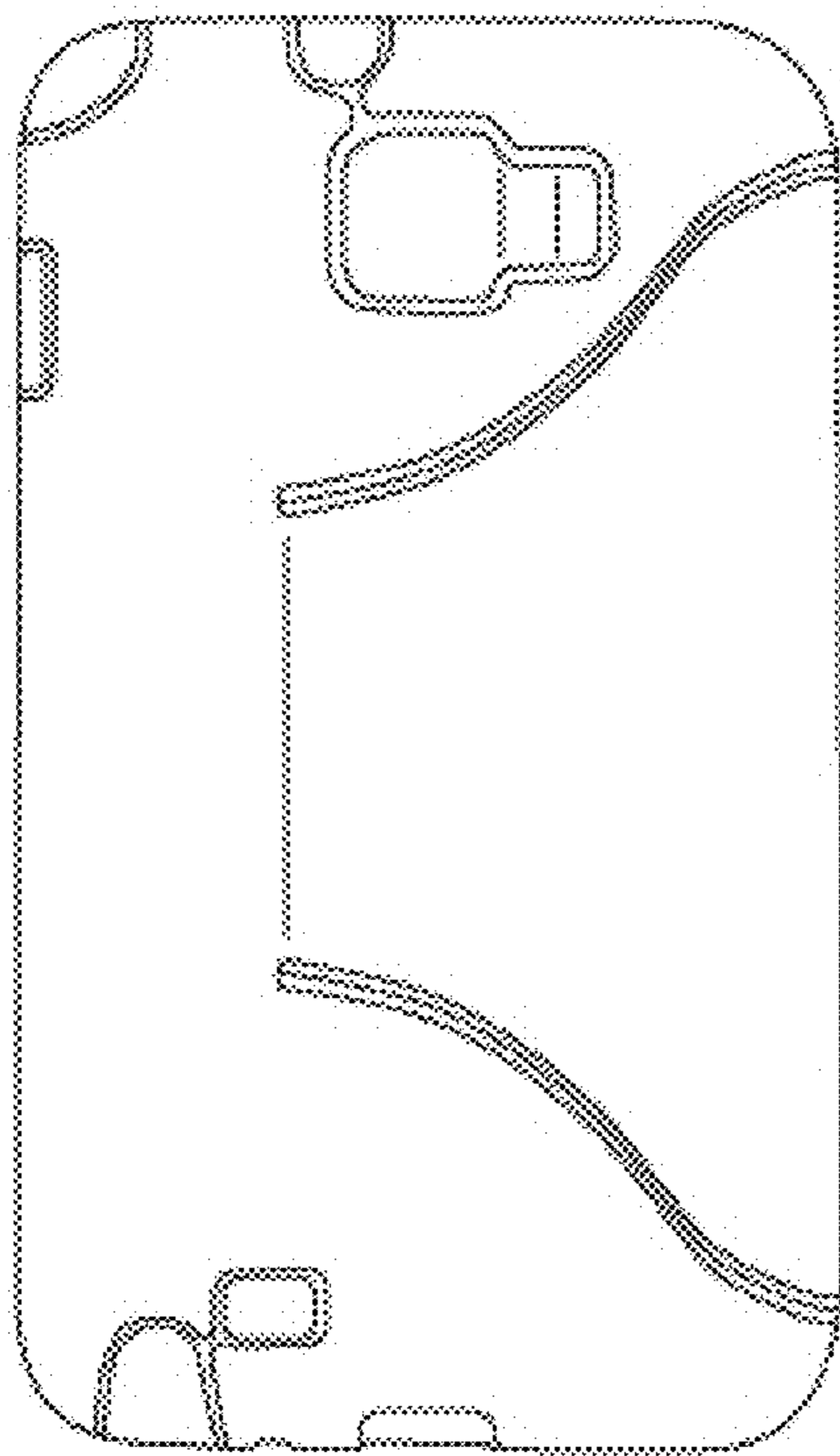


Fig. 3

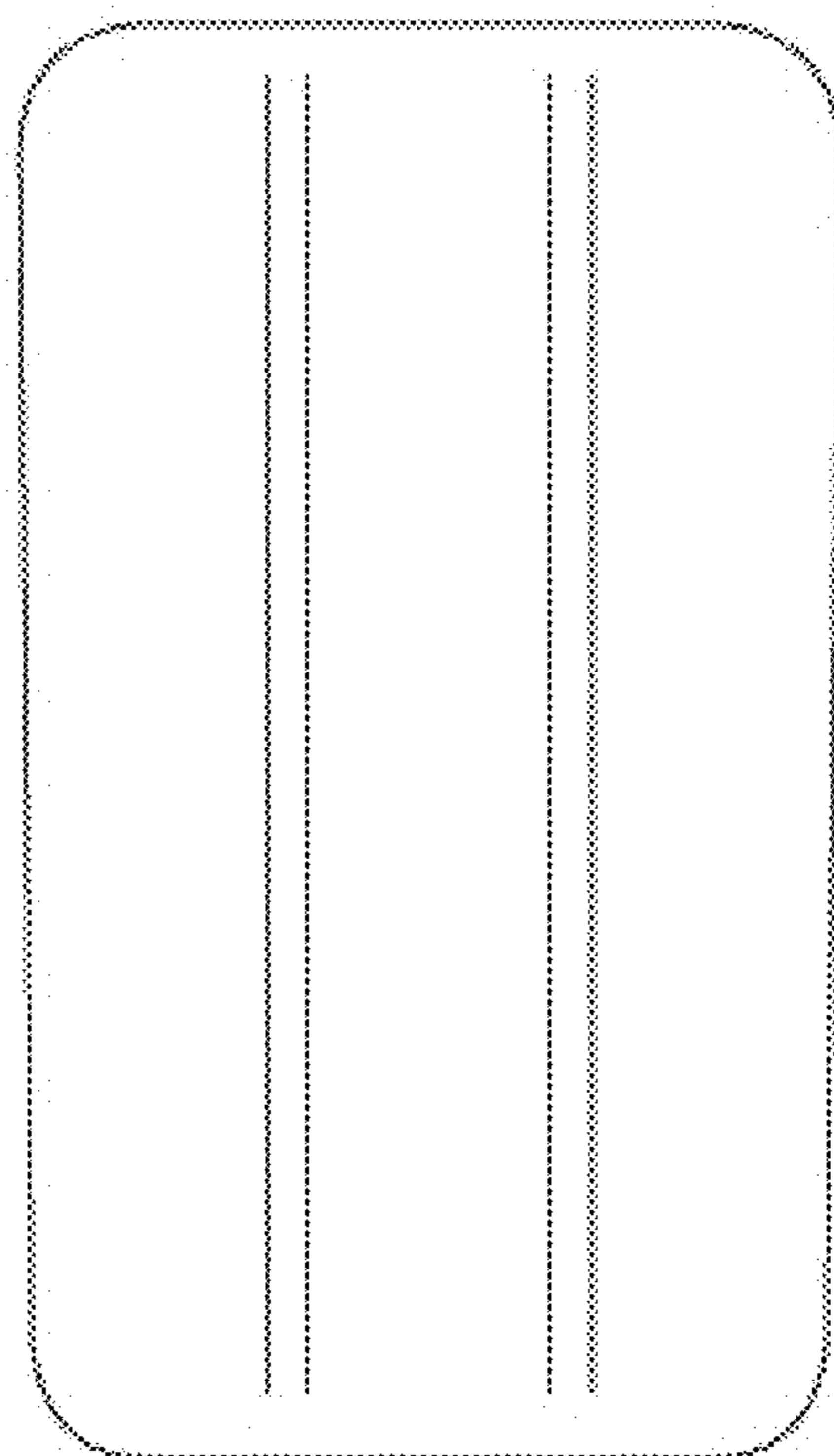


Fig. 4

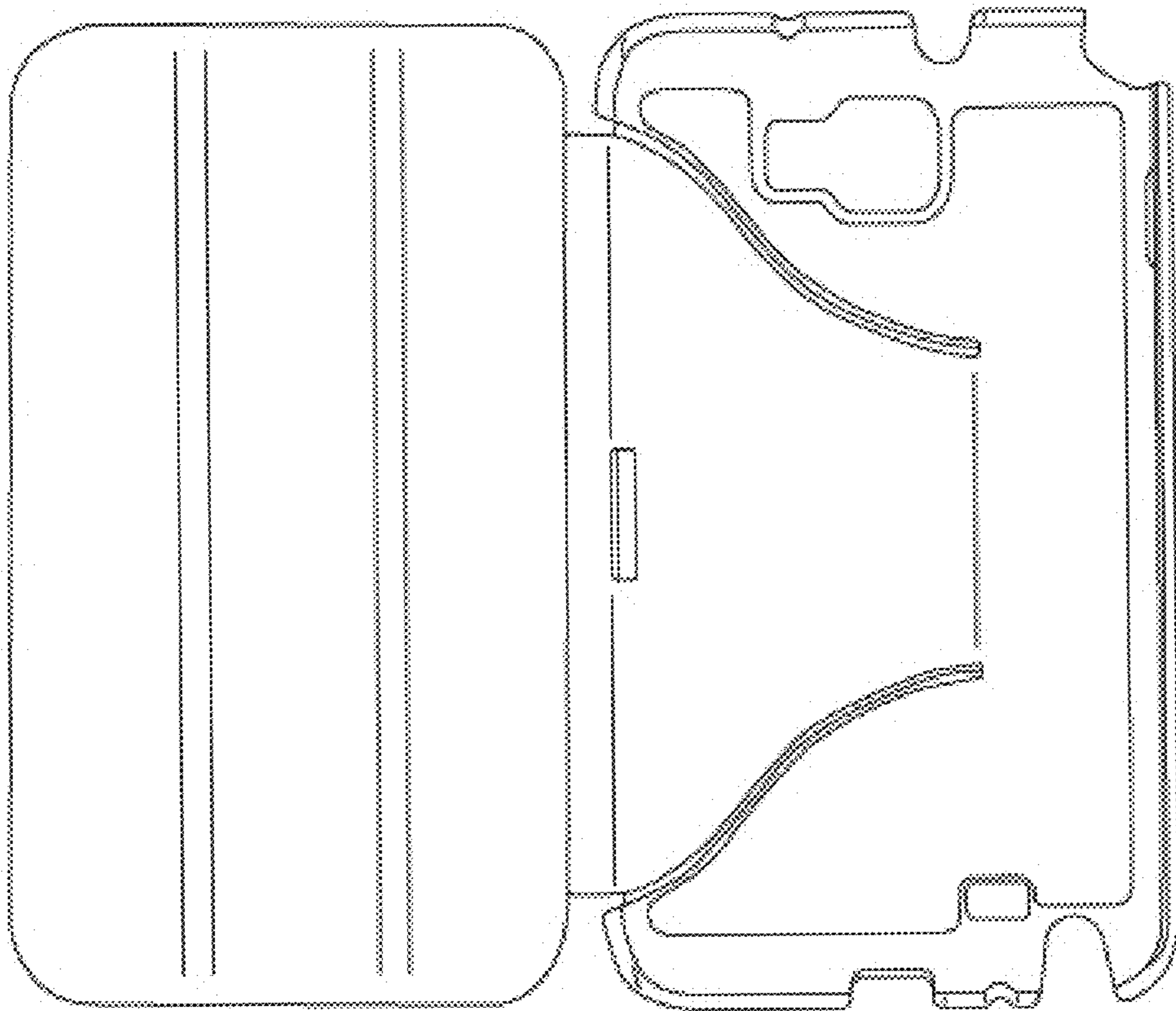


Fig. 5

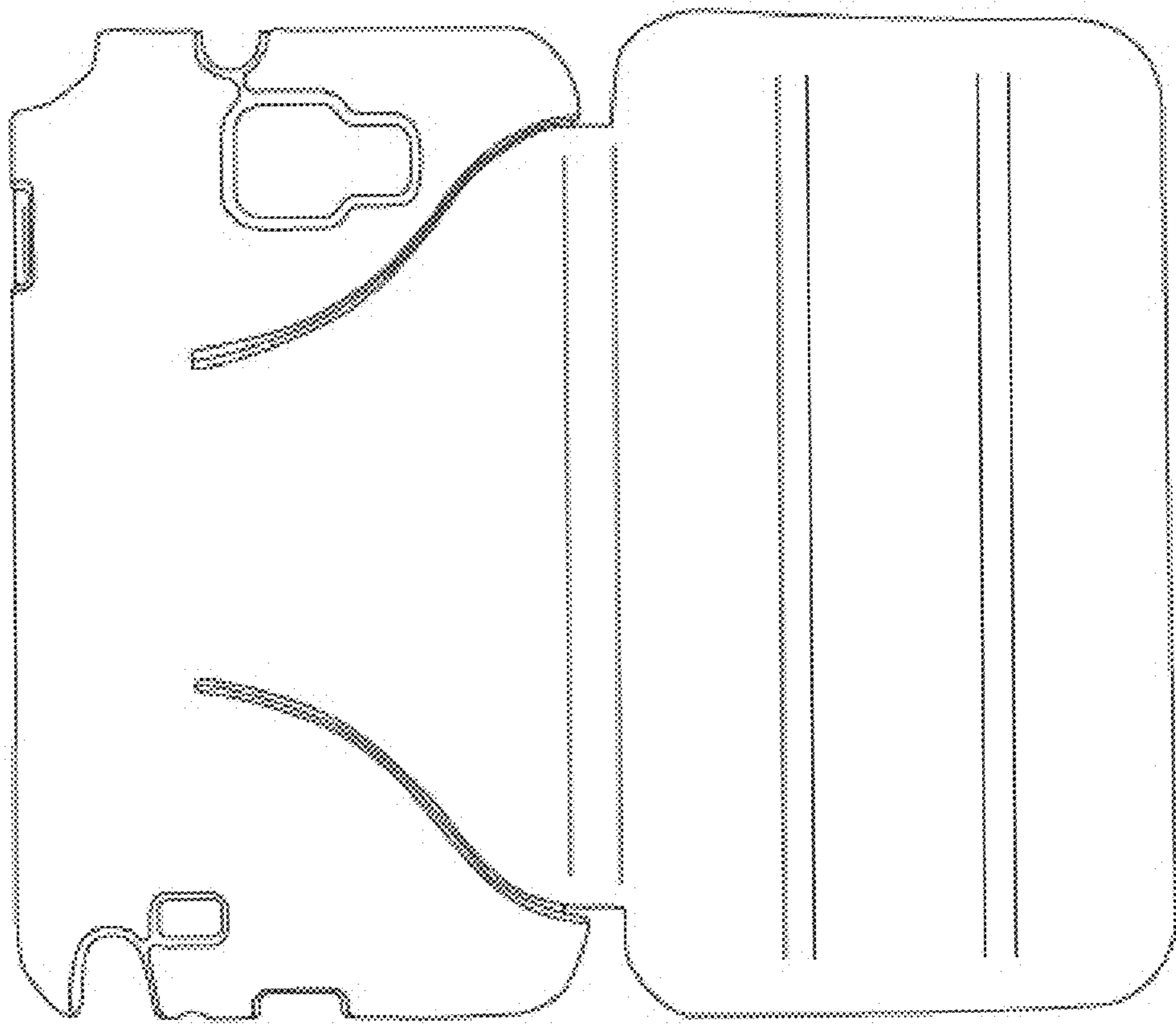


Fig. 6

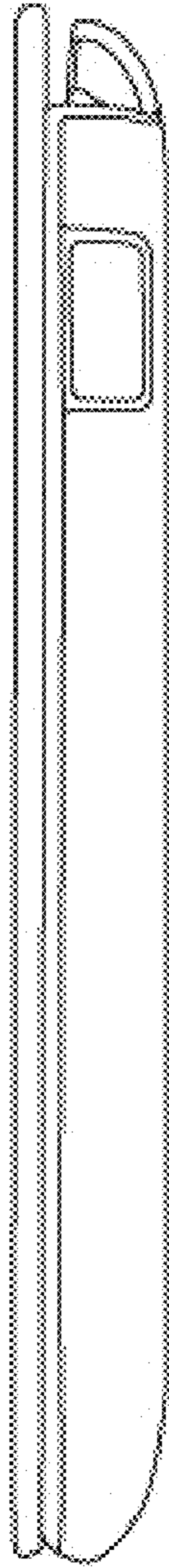


Fig. 7



Fig. 8

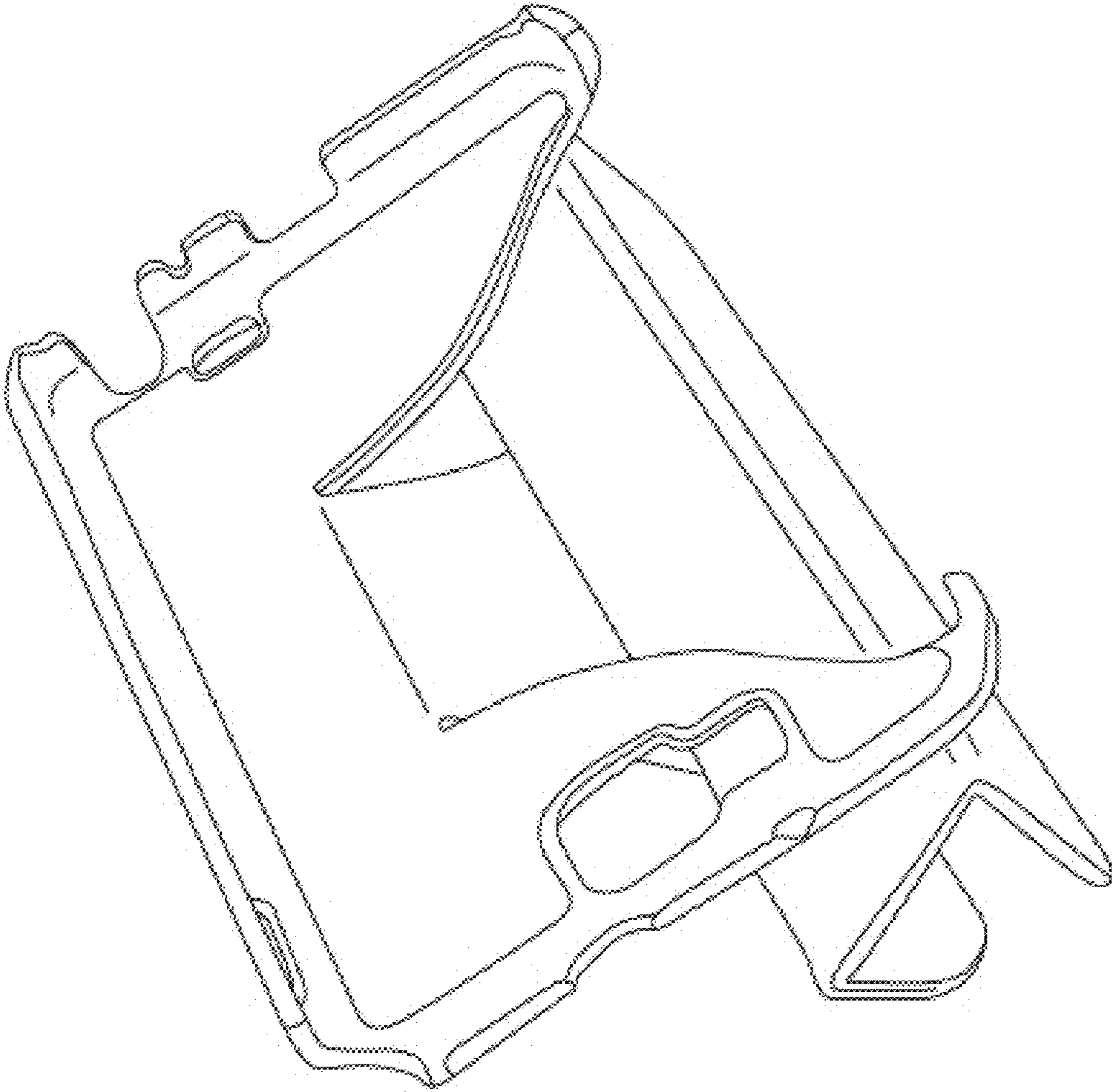


Fig. 9

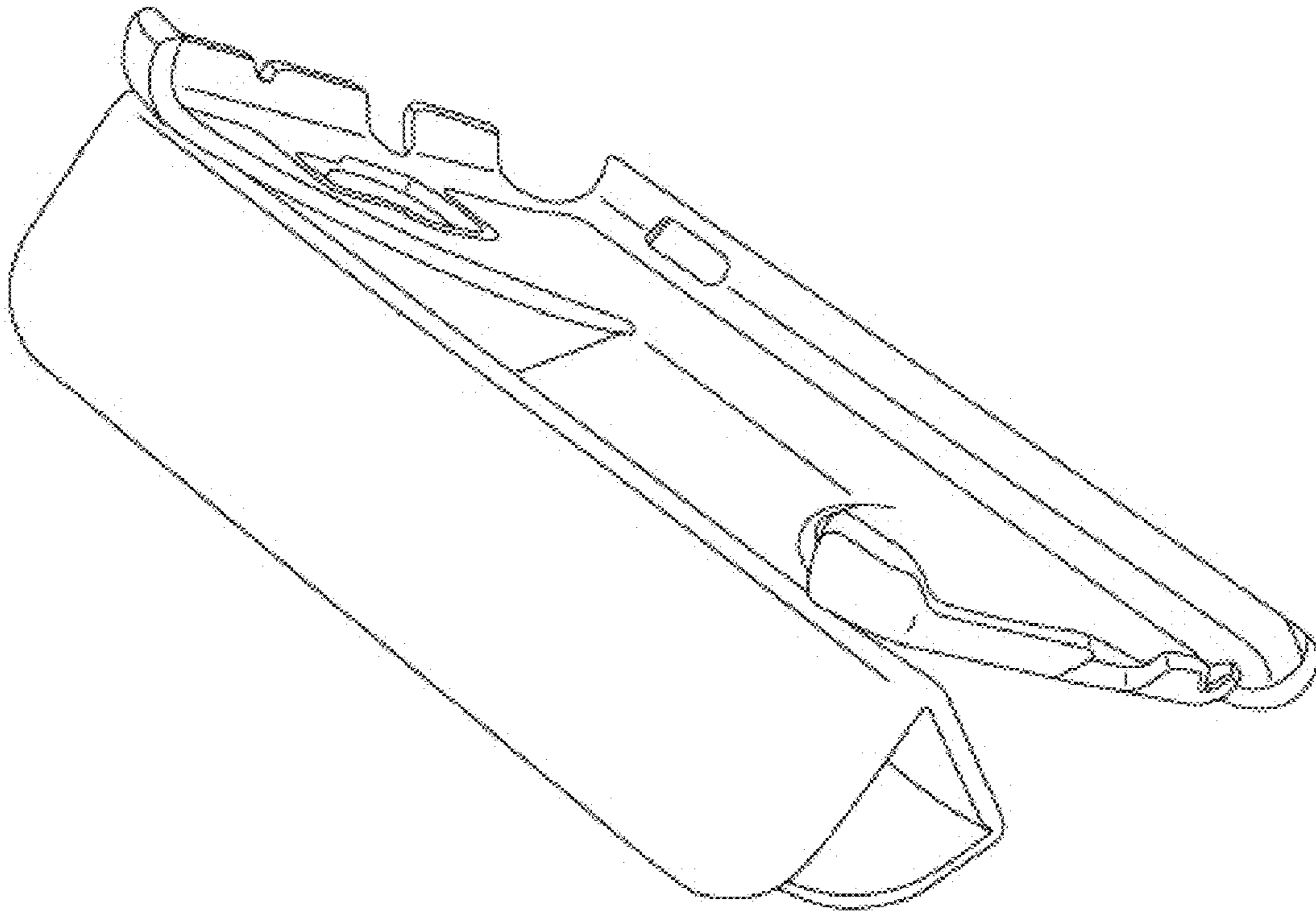


Fig. 10