

US00D709688S

(12) **United States Design Patent**  
**Farco et al.**

(10) **Patent No.:** **US D709,688 S**  
(45) **Date of Patent:** **\*\* Jul. 29, 2014**

- (54) **SHOE-SHAPED MEDICINE CASE**
- (76) Inventors: **Lauren Marie Farco**, Hoboken, NJ (US); **Joseph Farco**, Hoboken, NJ (US)
- (\*\*) Term: **14 Years**
- (21) Appl. No.: **29/430,340**
- (22) Filed: **Aug. 24, 2012**
- (51) **LOC (10) Cl.** ..... **03-01**
- (52) **U.S. Cl.**  
USPC ..... **D3/203.2**
- (58) **Field of Classification Search**  
USPC ..... D3/201–205, 236, 271.4, 289;  
206/528–540; D9/600, 614, 629, 631;  
D28/77  
See application file for complete search history.

(56) **References Cited**

**U.S. PATENT DOCUMENTS**

- D276,214 S \* 11/1984 Fry ..... D3/205
- D344,626 S \* 3/1994 Landa ..... D3/271.4
- D516,307 S \* 3/2006 Koenig et al. .... D3/233
- D529,279 S \* 10/2006 Parks ..... D3/203.3
- D589,248 S \* 3/2009 Katsof ..... D3/201
- D595,502 S \* 7/2009 Frenette ..... D3/203.2

**OTHER PUBLICATIONS**

- [http://sell.lulusoso.com/upload/20120421/pill\\_case\\_plastic\\_pill\\_box\\_medicine\\_box.jpg](http://sell.lulusoso.com/upload/20120421/pill_case_plastic_pill_box_medicine_box.jpg) (last visited, Oct. 9, 2012).
- <http://www.epromos.com/OrderPipeline/largeImg1.jsp?productID=8814959> (last visited, Oct. 9, 2012).
- <http://www.beautyencounter.com/buy/welforth-cat-on-leopard-shoe-jewelrybox/689851720291/242130> (last visited, Oct. 9, 2012).
- <http://paperplateandplane.files.wordpress.com/2011/01/high-heel-favor-box.jpg> (last visited, Oct. 9, 2012).

<http://www.birthdayexpress.com/Candy-Filled-Crystal-Shoes-1/52053/PartyItemDetail.aspx?REF=SCE-CEbecome> (last visited, Oct. 9, 2012).

\* cited by examiner

*Primary Examiner* — Catheri Oliver-Garcia

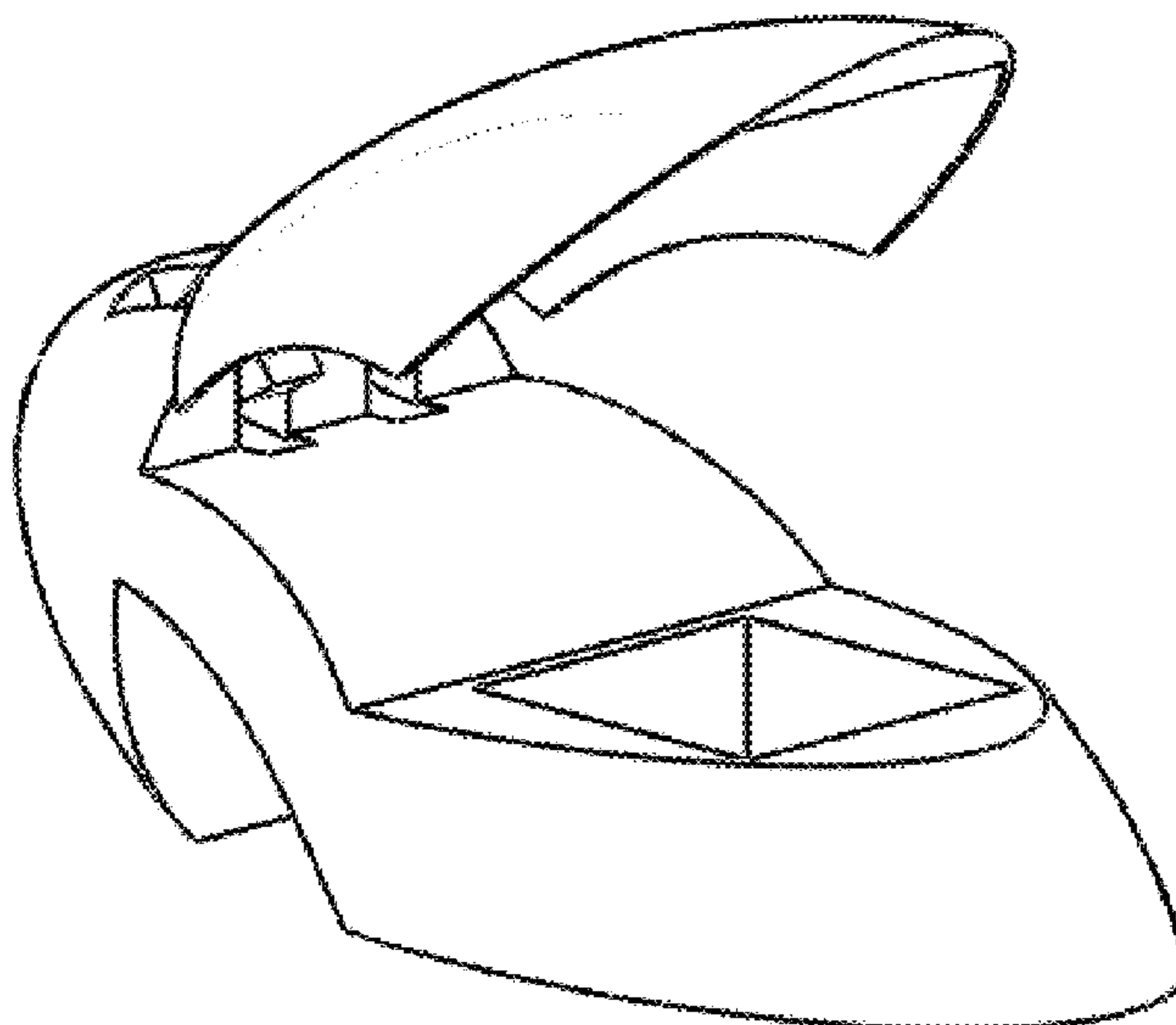
(57) **CLAIM**

We claim the ornamental design for a shoe-shaped medicine case, as shown and described.

**DESCRIPTION**

FIG. 1 is a side view of the new design.  
 FIG. 2 is a front view thereof.  
 FIG. 3 is a rear view thereof.  
 FIG. 4 is a top view thereof.  
 FIG. 5 is a bottom view thereof.  
 FIG. 6 is a side view of an open configuration thereof.  
 FIG. 7 is a front view of an open configuration thereof.  
 FIG. 8 is an isometric front view of an open configuration thereof.  
 FIG. 9 is an exploded isometric front view of an open configuration thereof.  
 FIG. 10 is an exploded isometric side view of an open configuration thereof.  
 FIG. 11 is another exploded isometric top view thereof.  
 FIG. 12 is a side view of another open configuration thereof.  
 FIG. 13 is a front view of another open configuration thereof.  
 FIG. 14 is an isometric front view of another open configuration thereof.  
 FIG. 15 is an exploded isometric front view of another open configuration thereof.  
 FIG. 16 is an exploded isometric side view of another open configuration thereof; and,  
 FIG. 17 is another exploded isometric top view thereof.  
 The broken line showing of environment in the drawings is included for the purpose of illustrating only and forms no part of the claimed design.

**1 Claim, 12 Drawing Sheets**



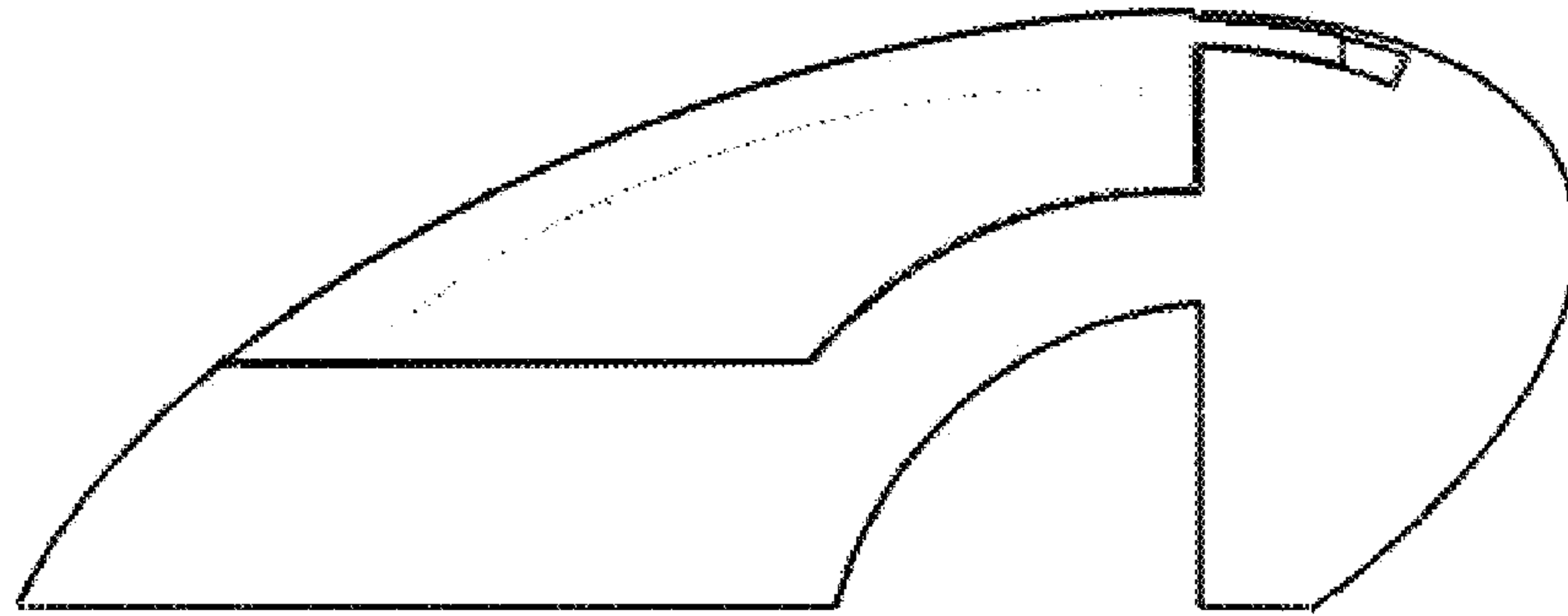


FIGURE 1

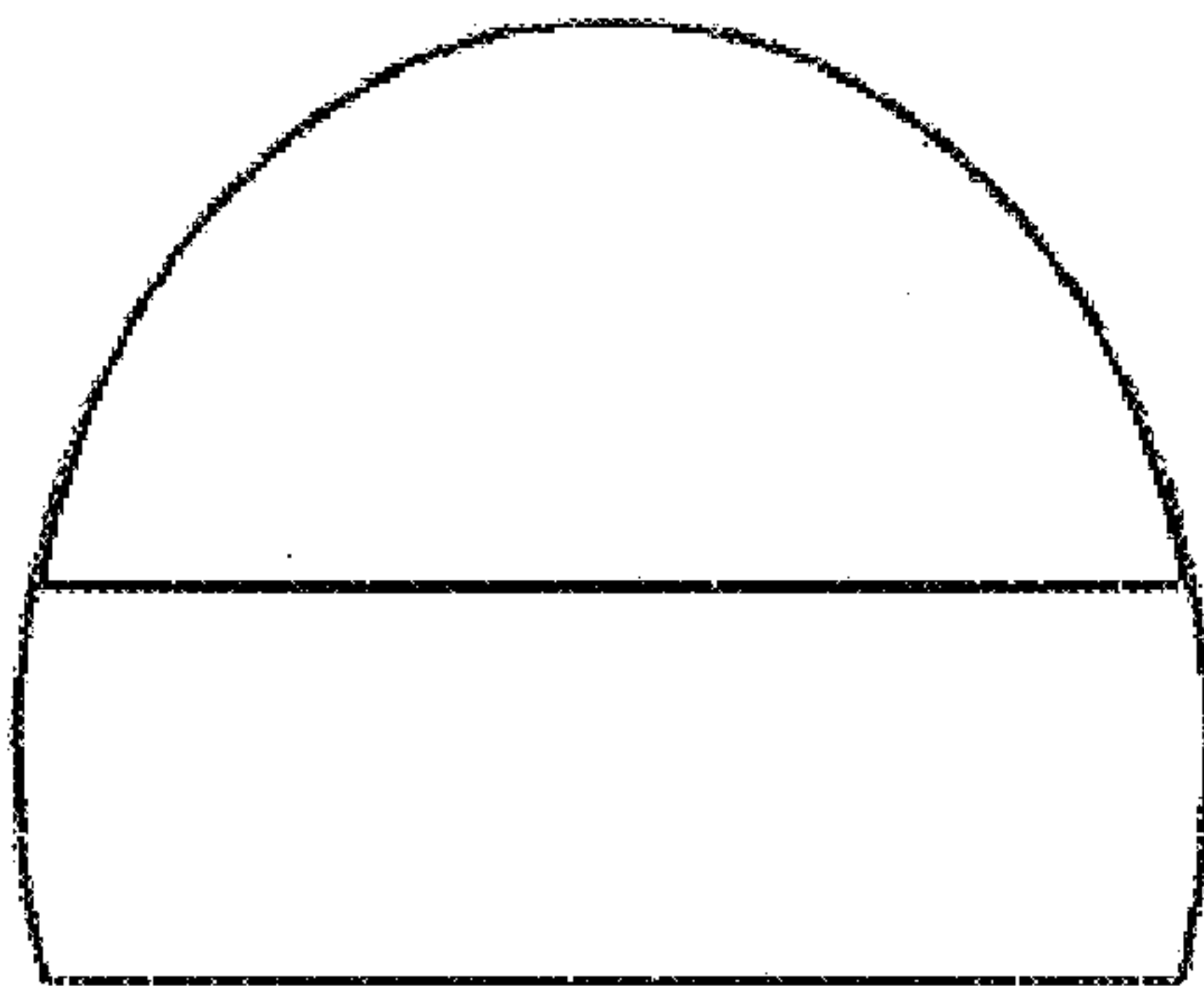


FIGURE 2

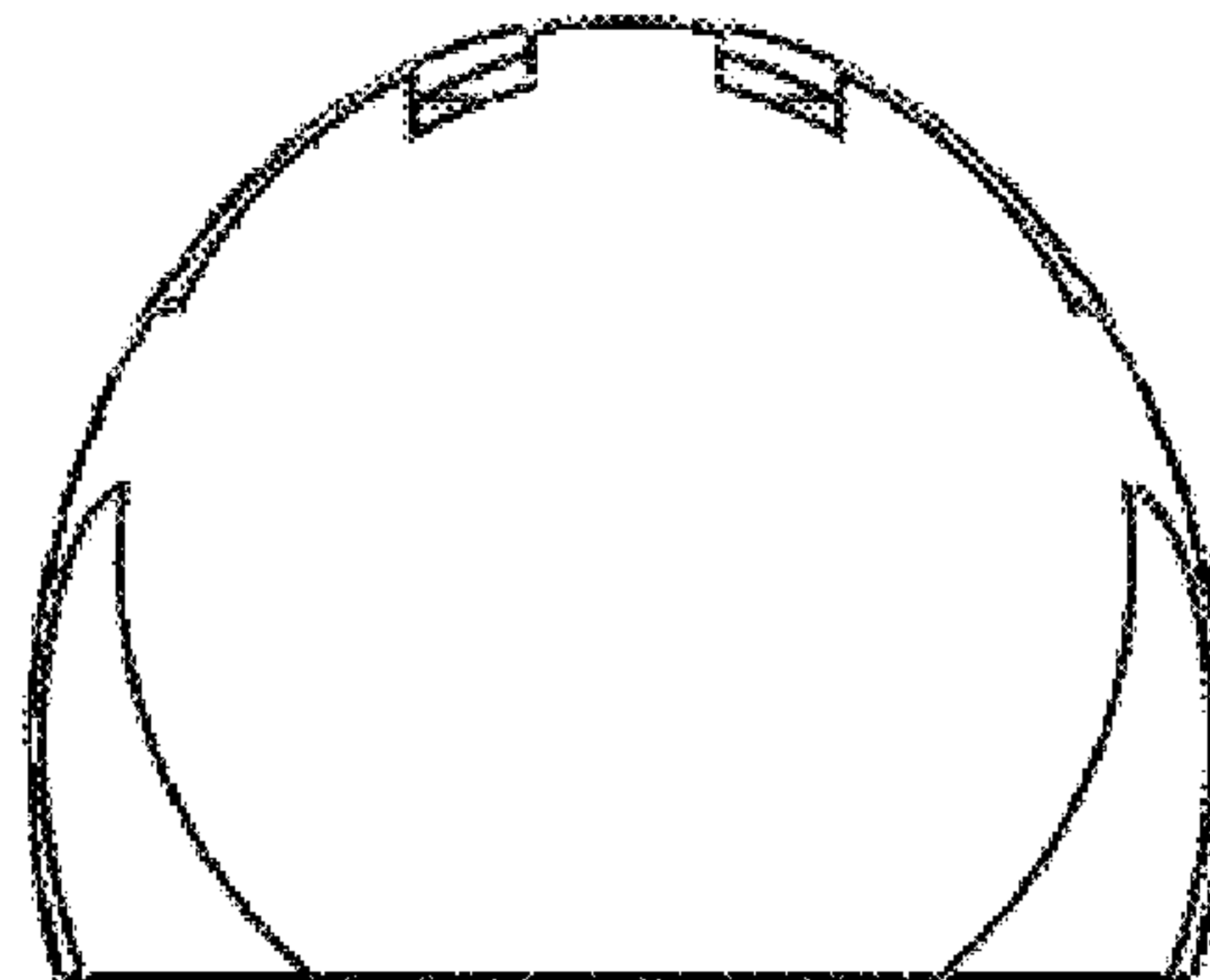


FIGURE 3

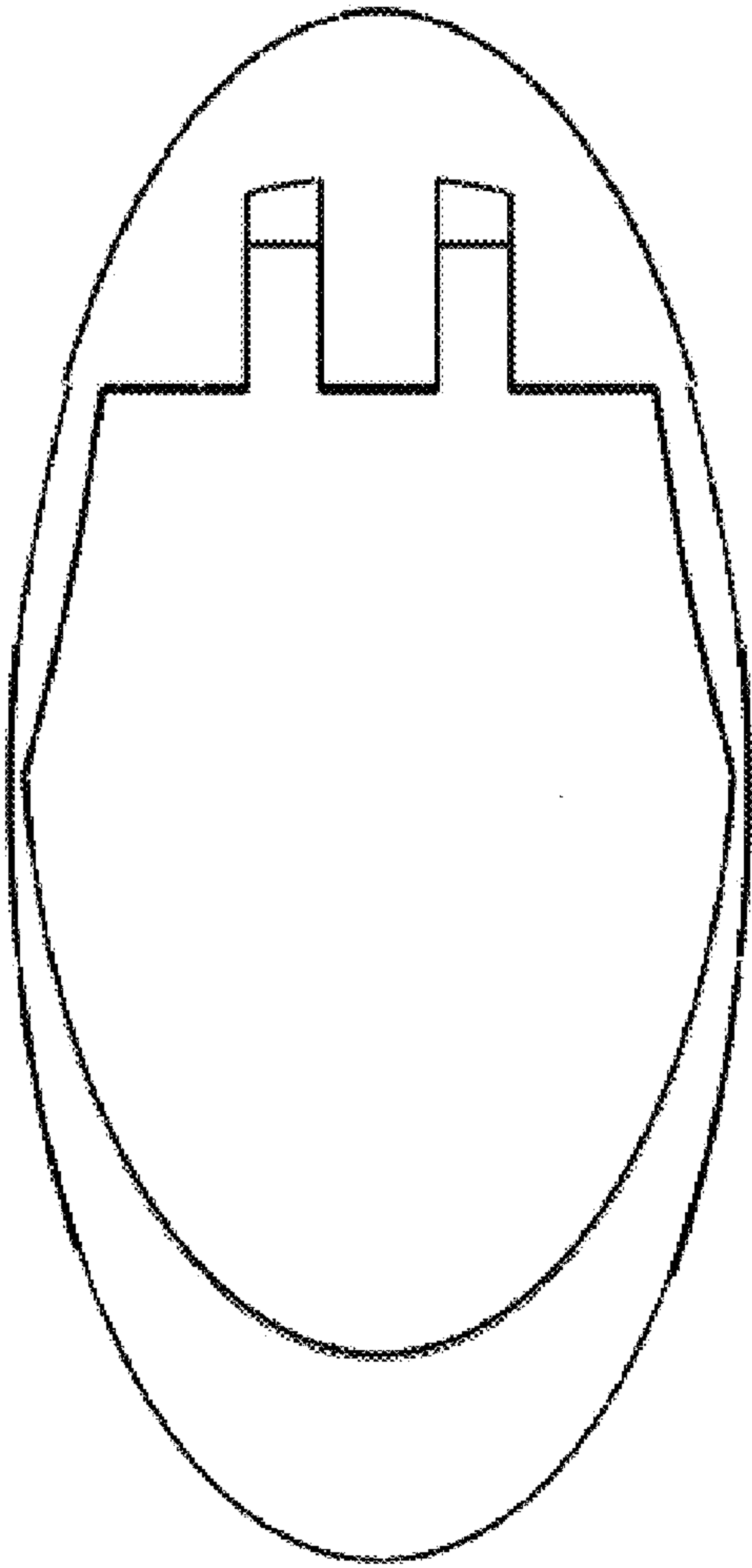


FIGURE 4

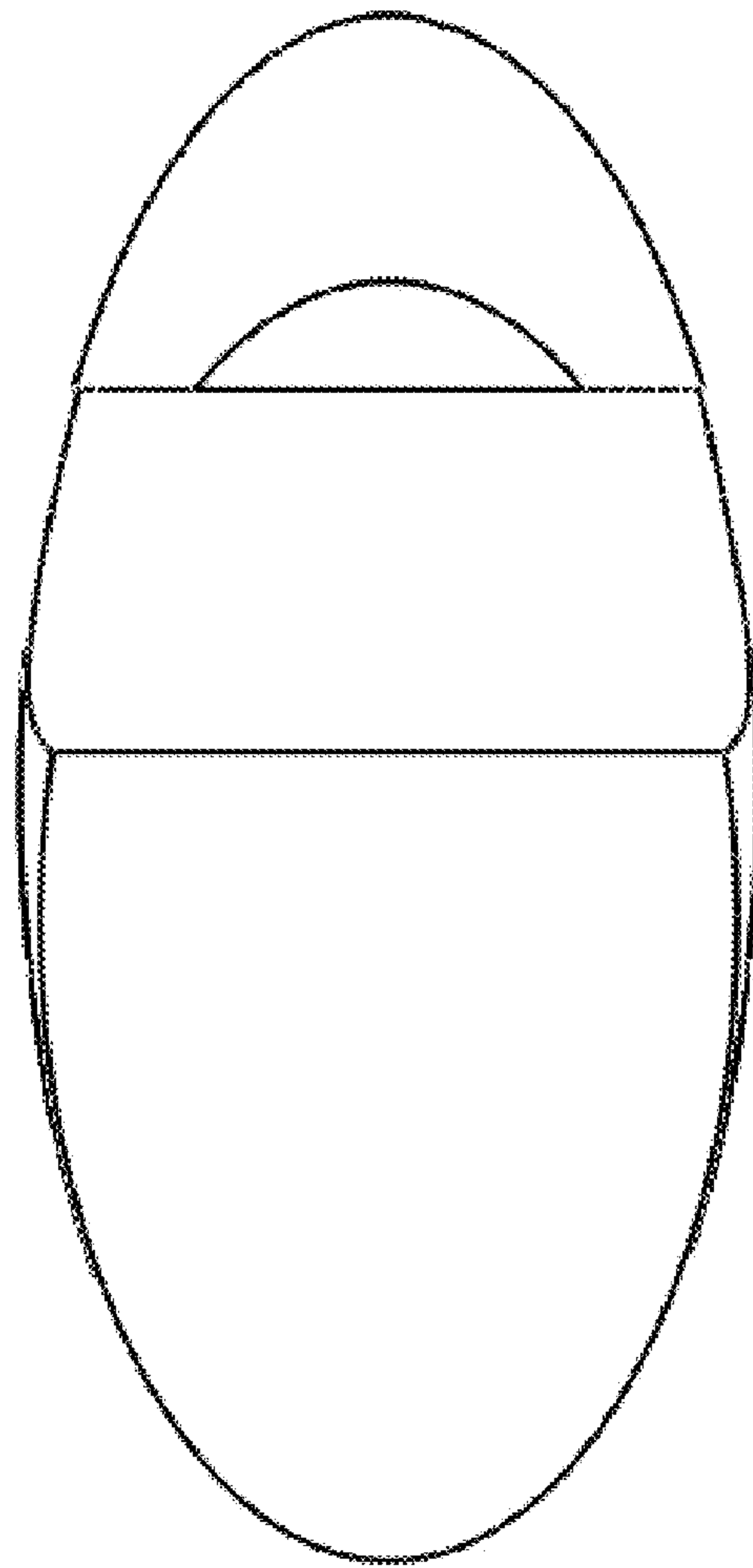
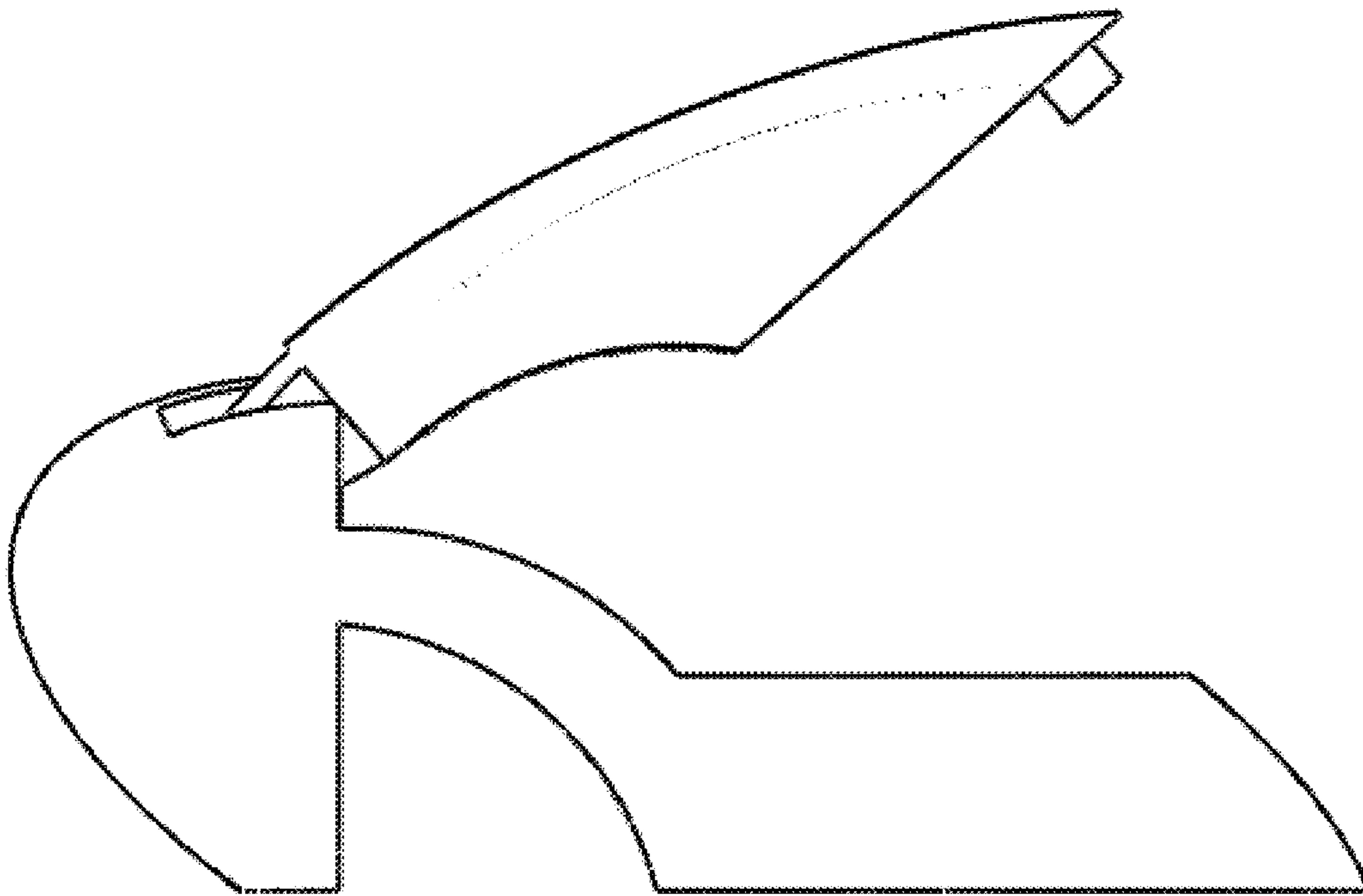
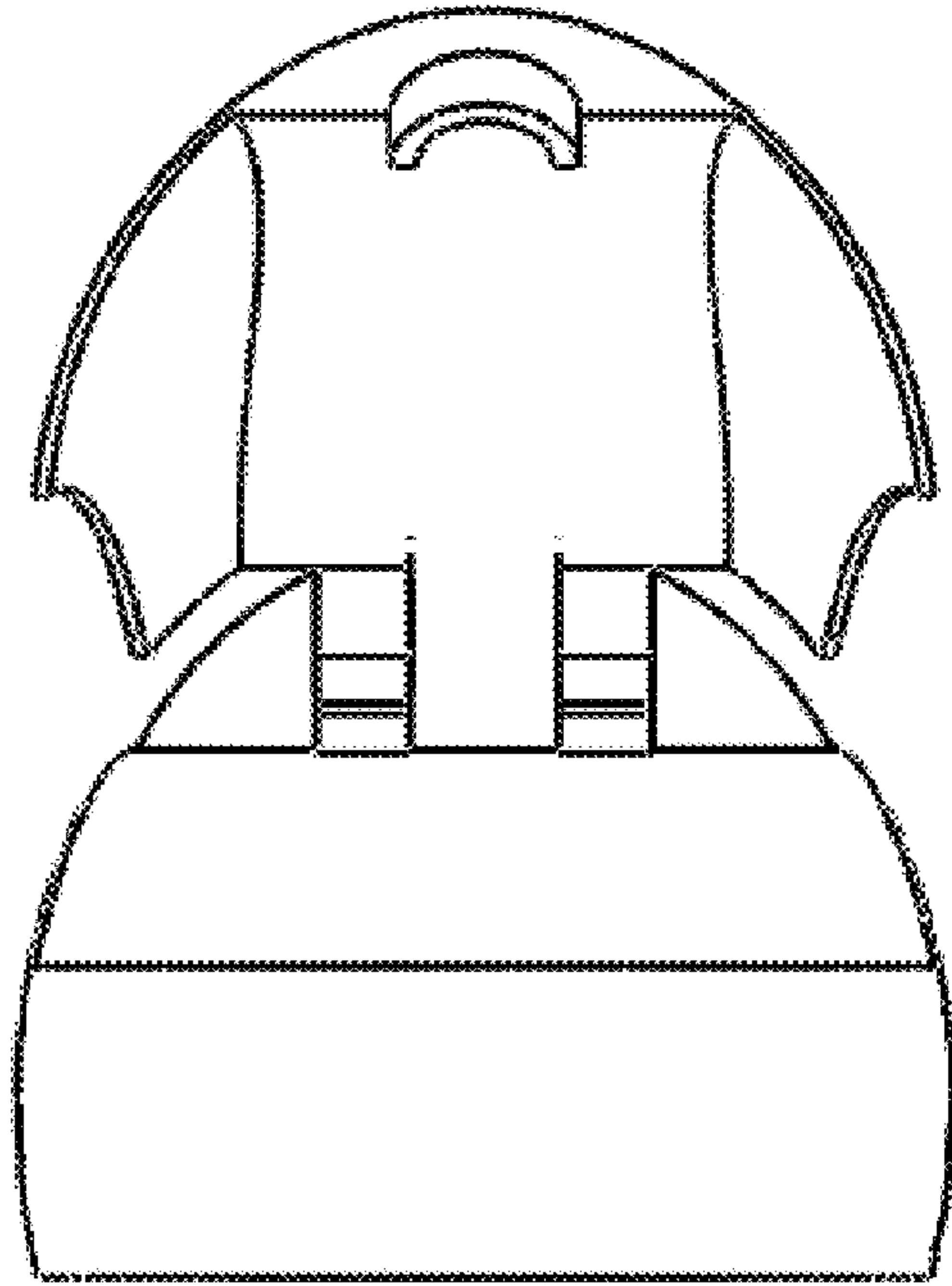


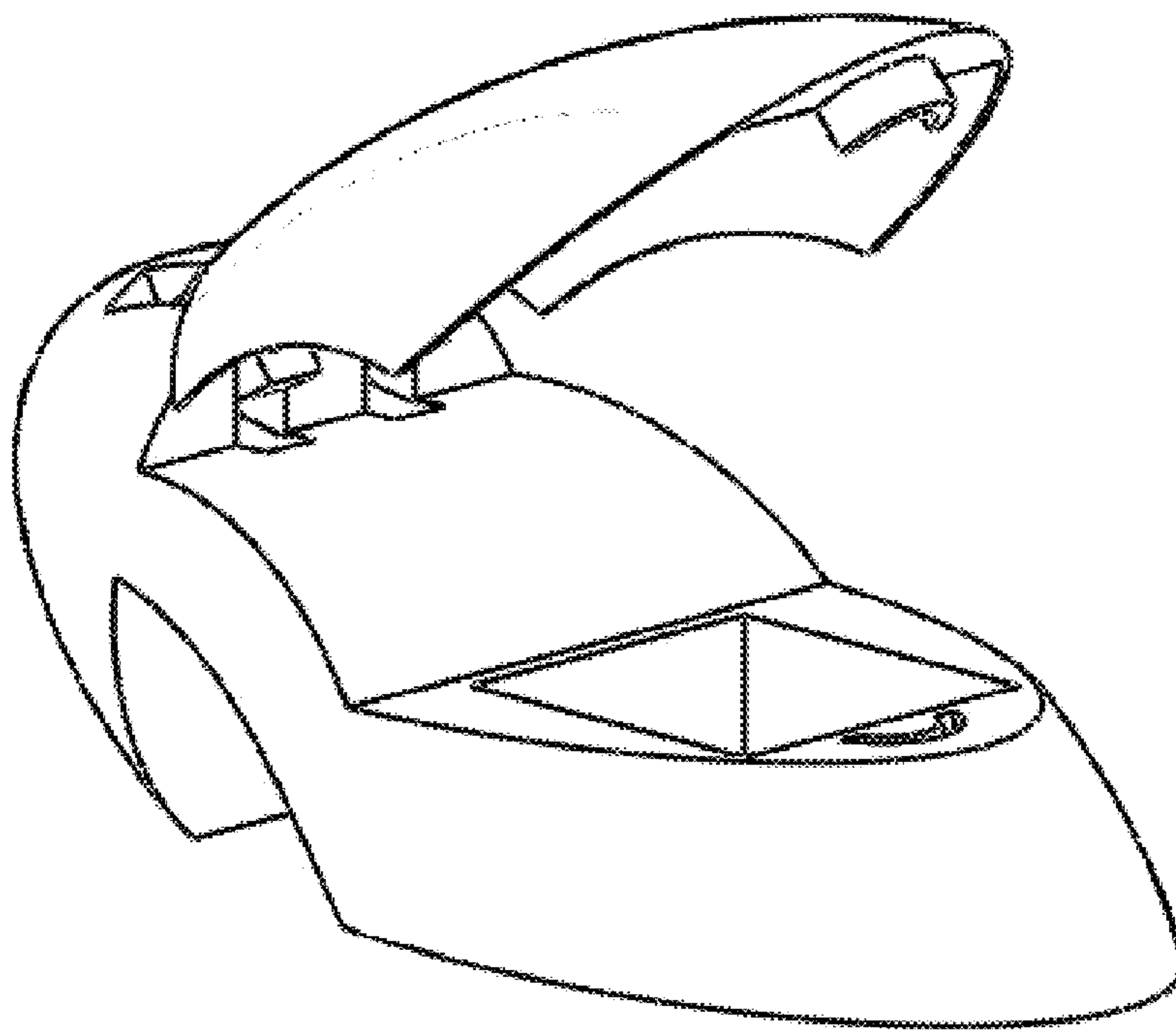
FIGURE 5



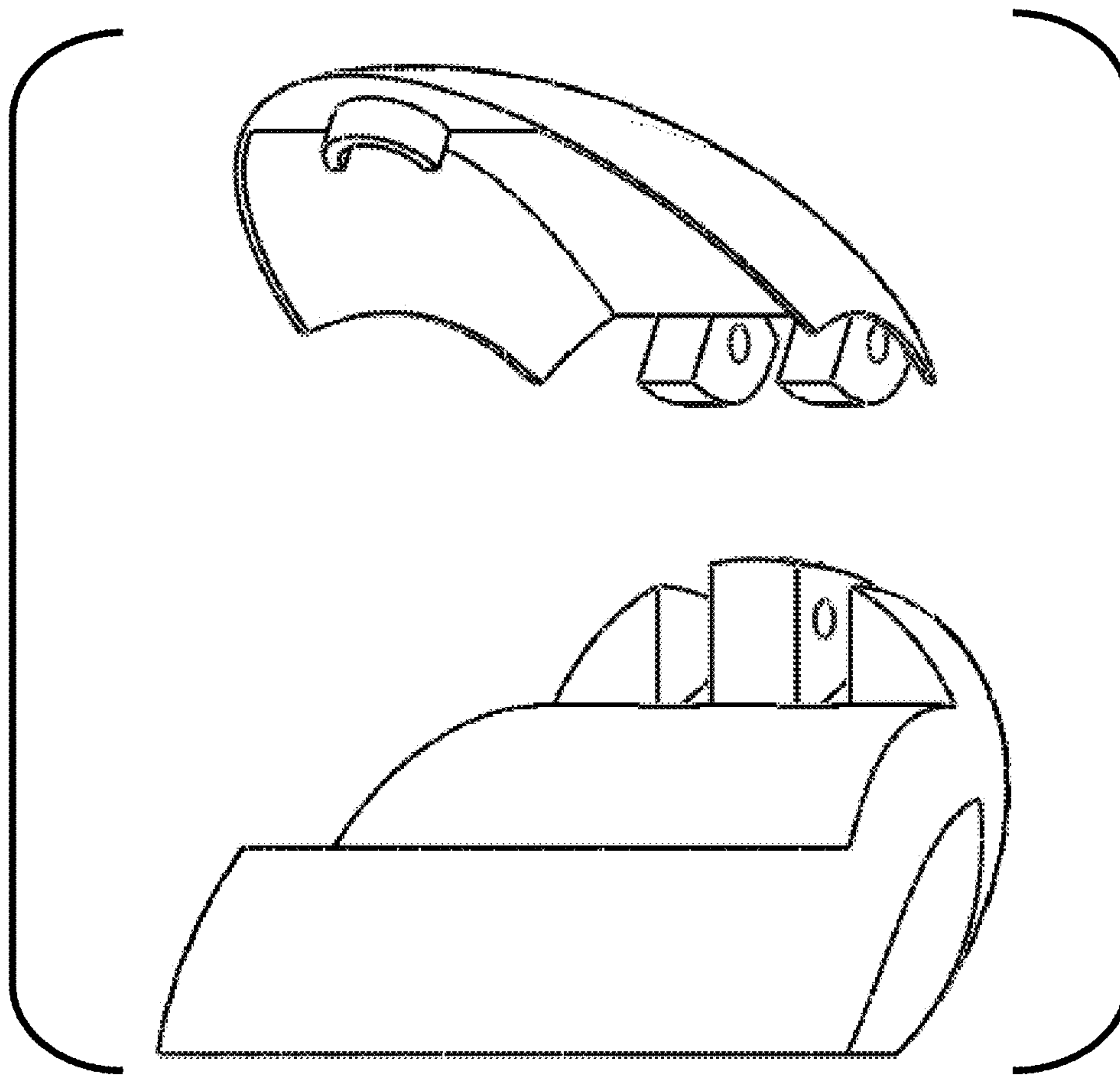
**FIGURE 6**



**FIGURE 7**



**FIGURE 8**



**FIGURE 9**



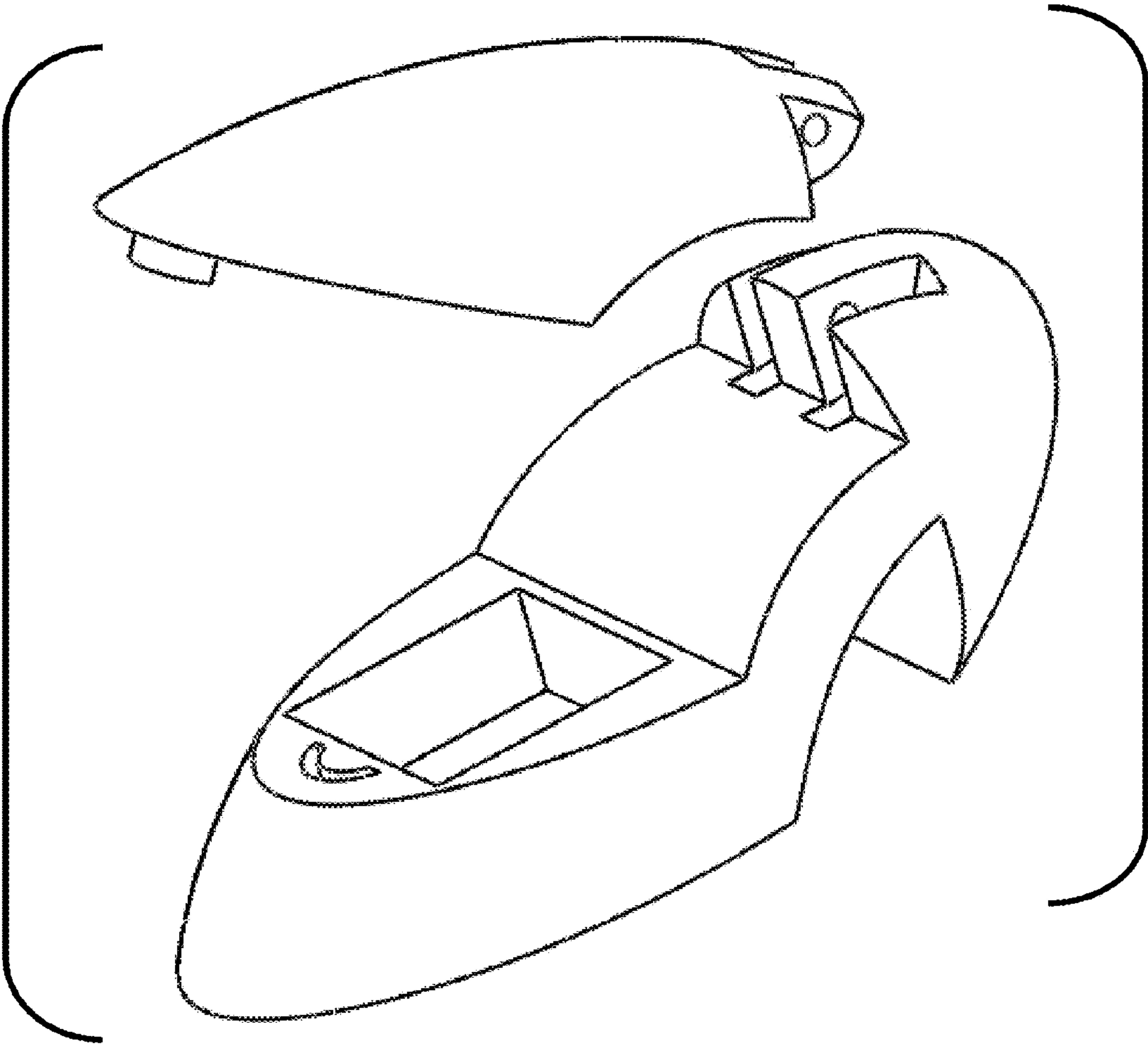


FIGURE 10

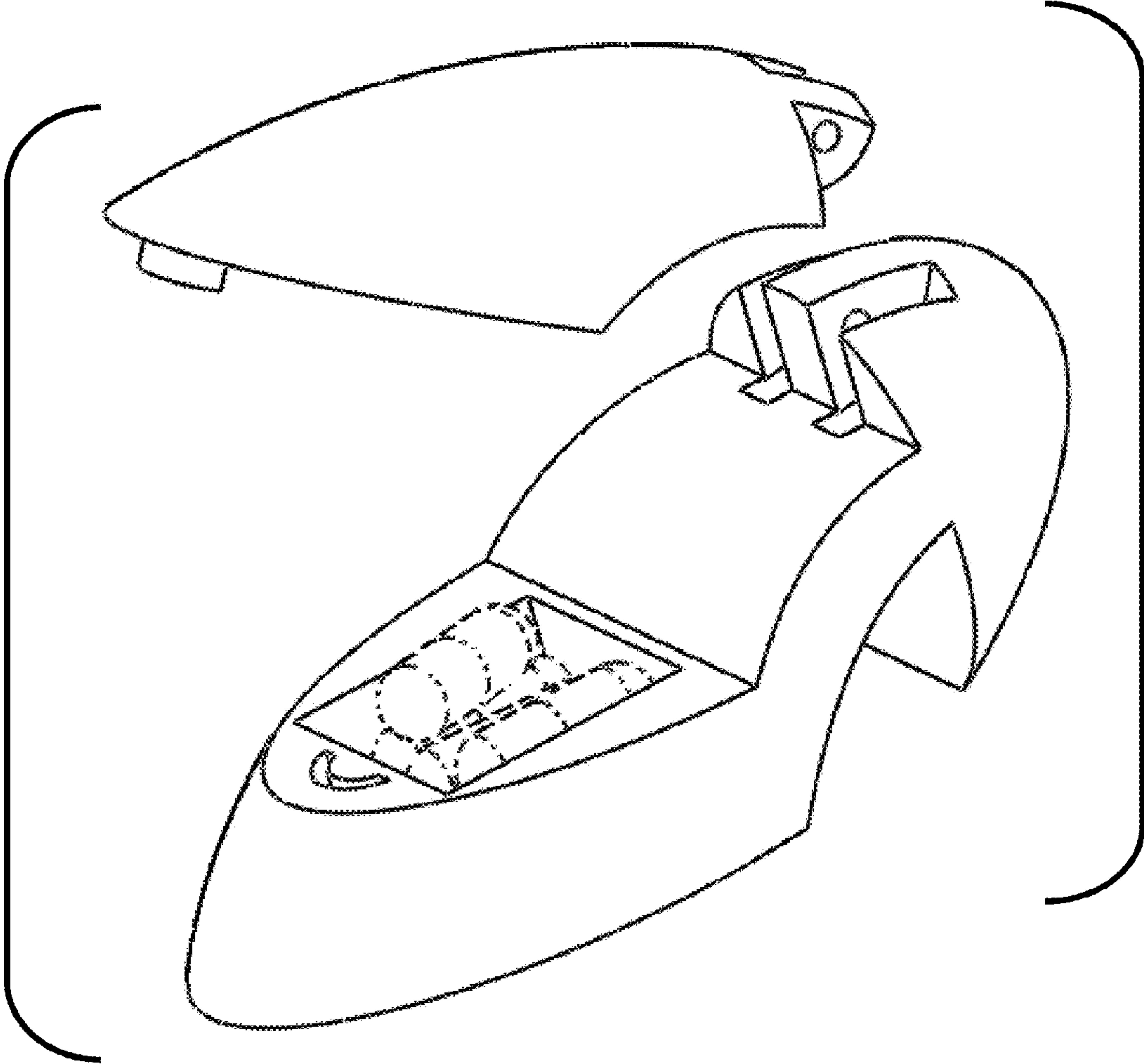
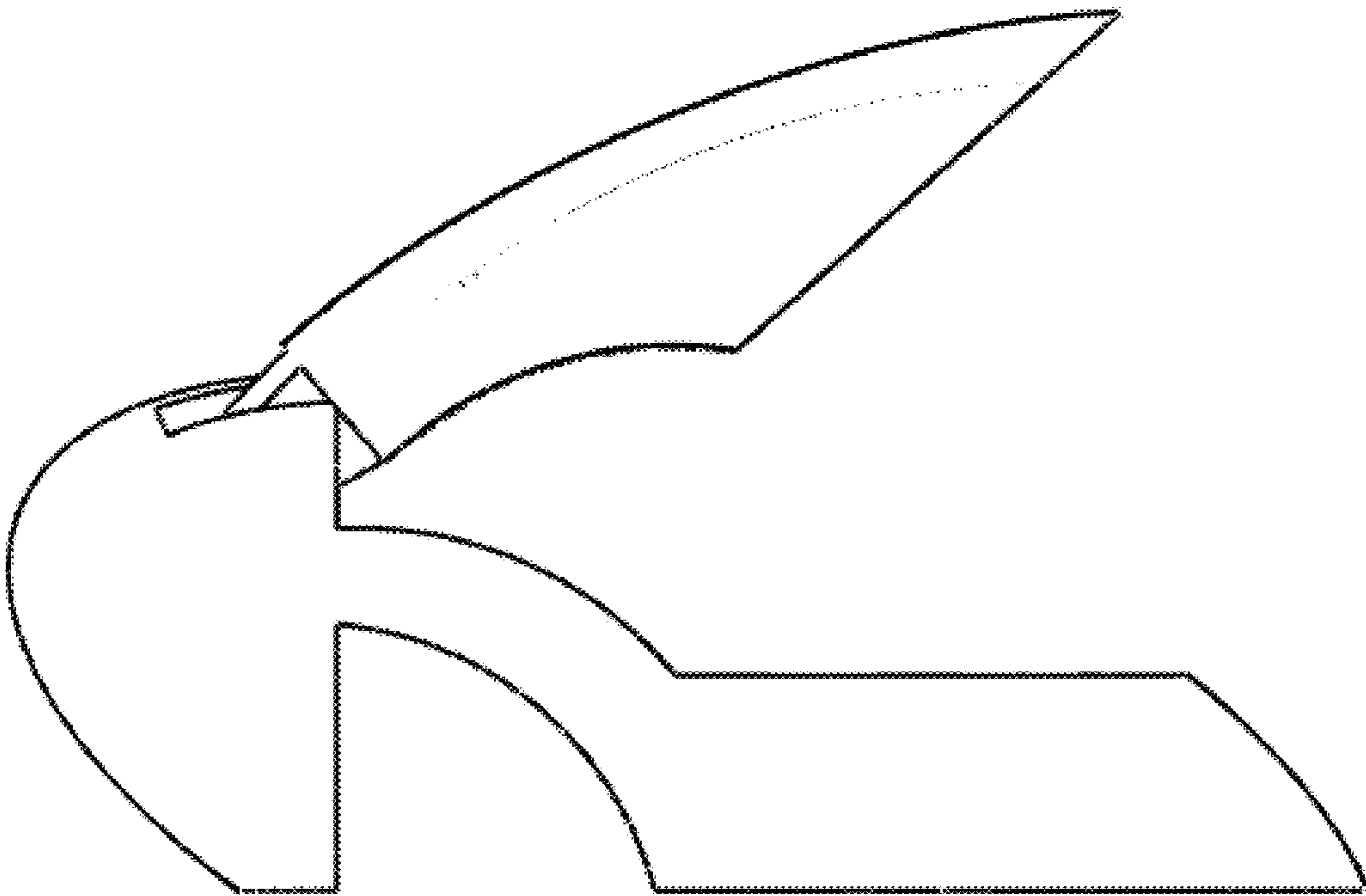
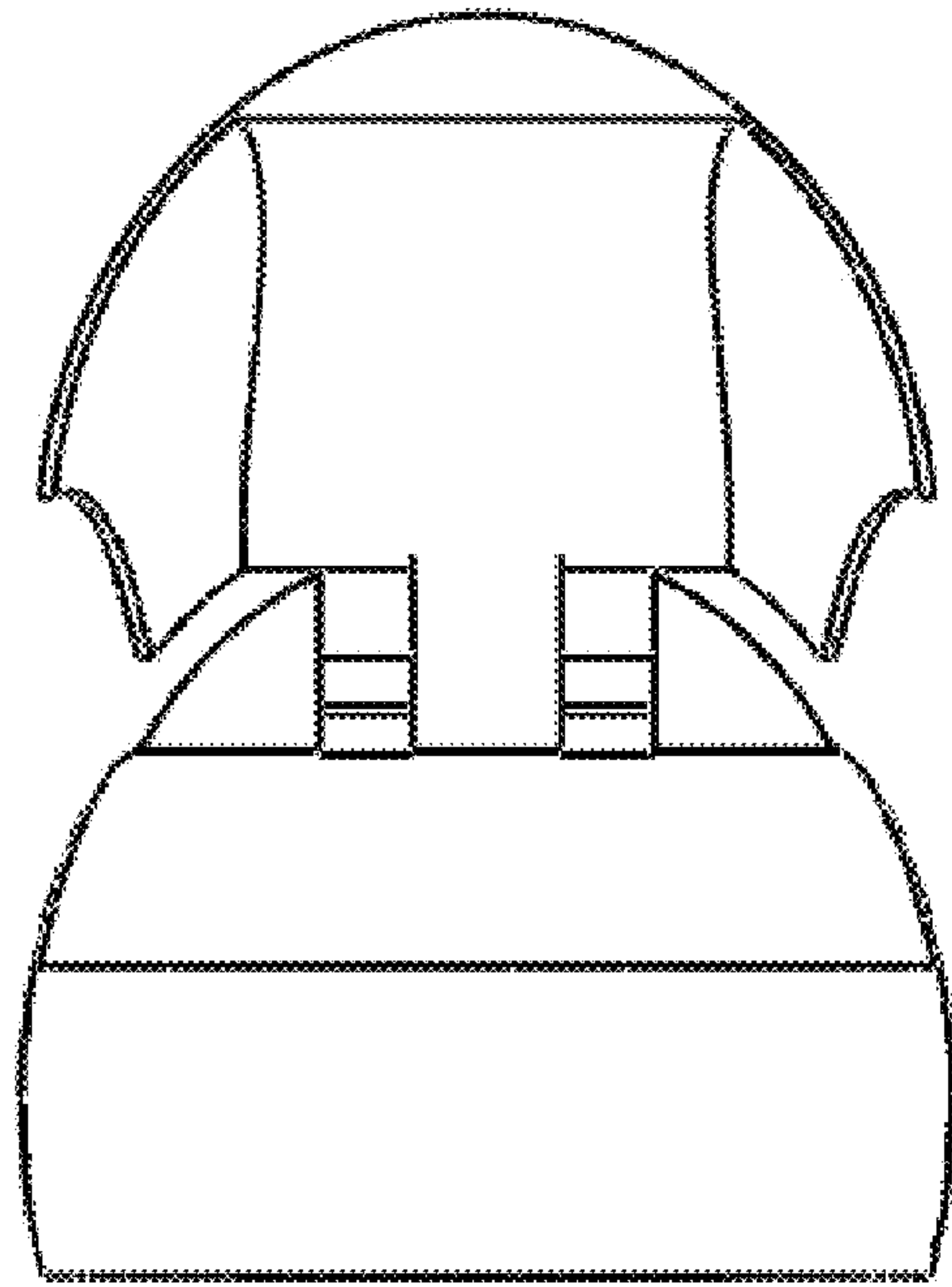


FIGURE 11

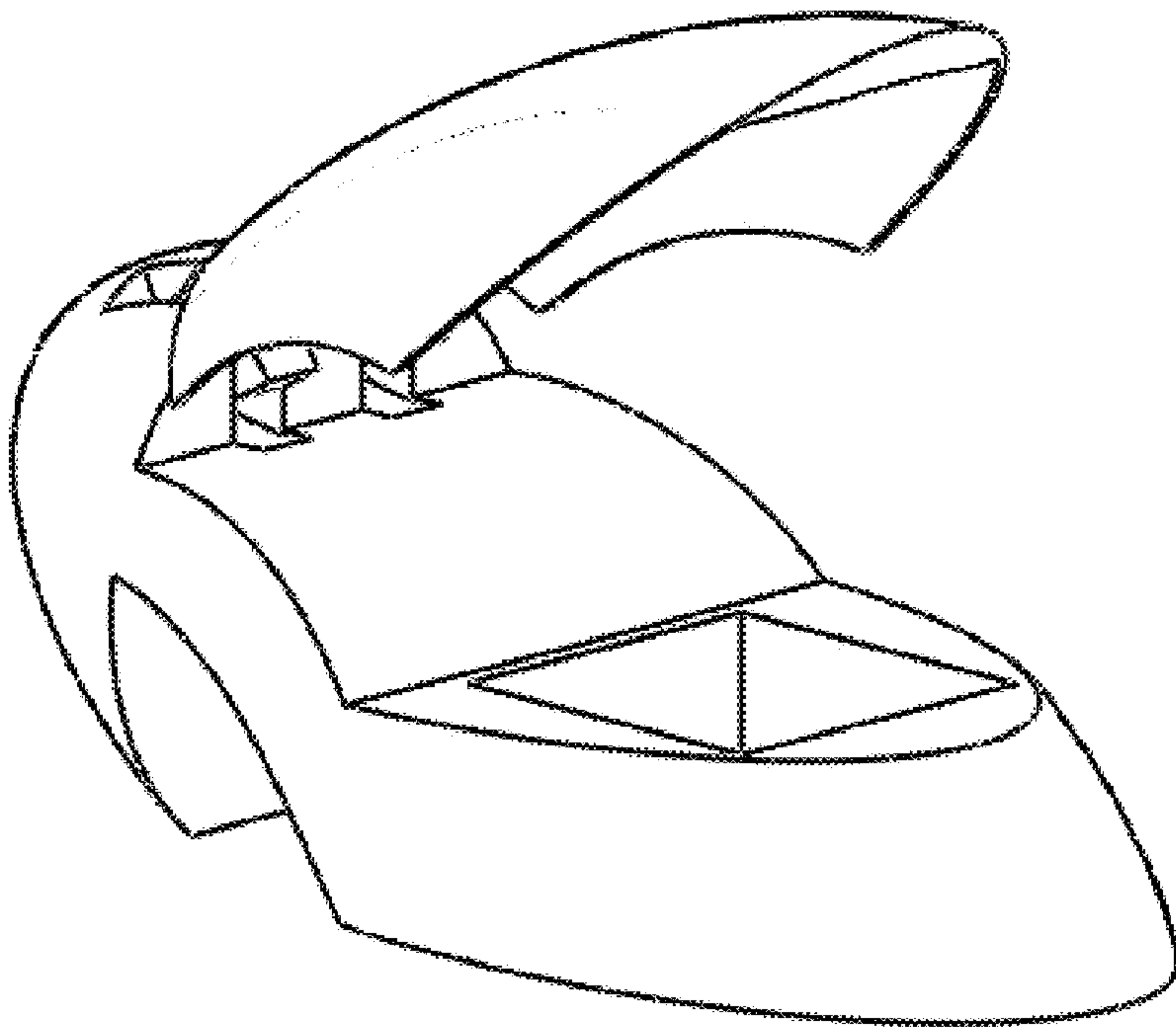




**FIGURE 12**



**FIGURE 13**



**FIGURE 14**

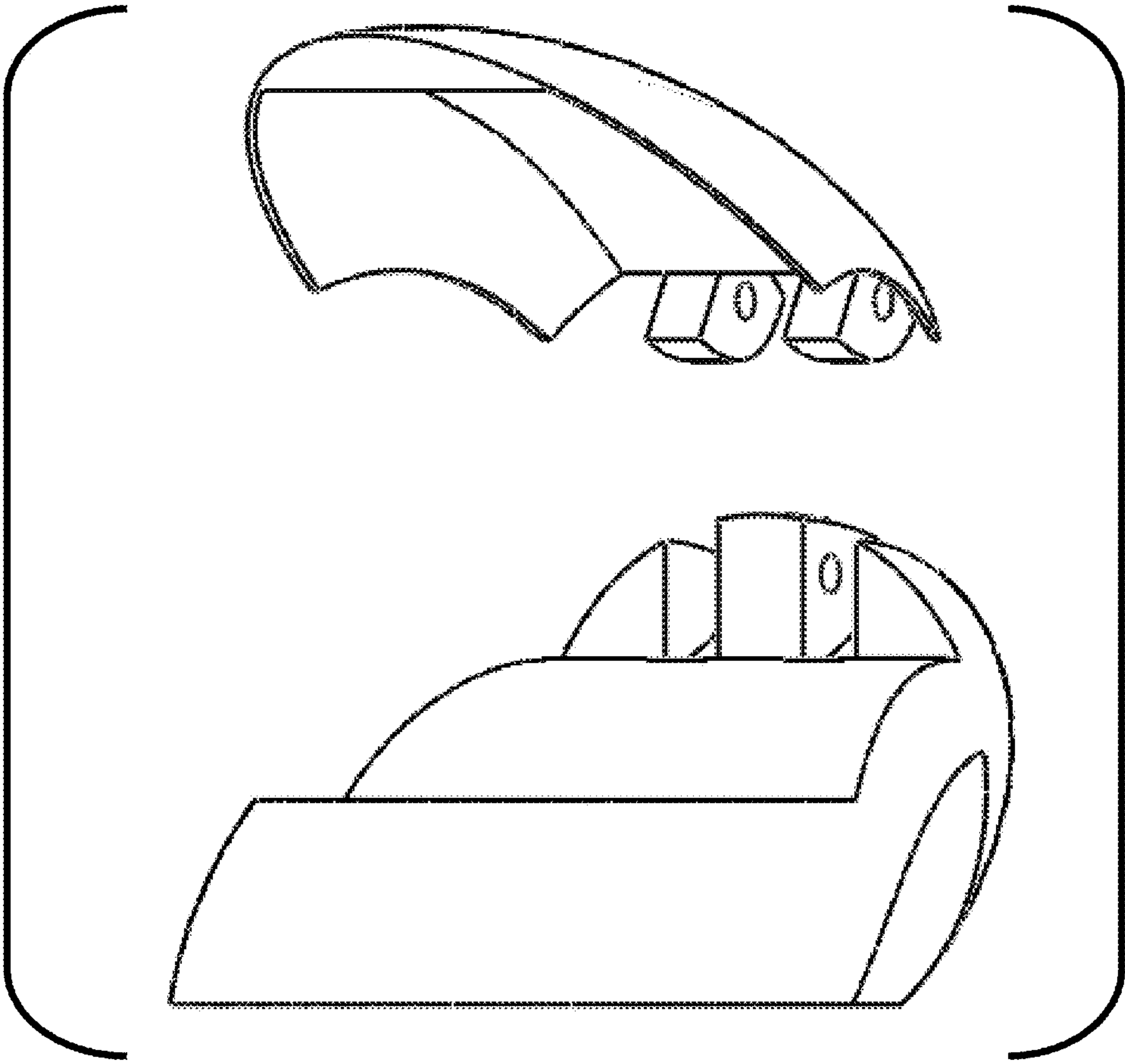


FIGURE 15

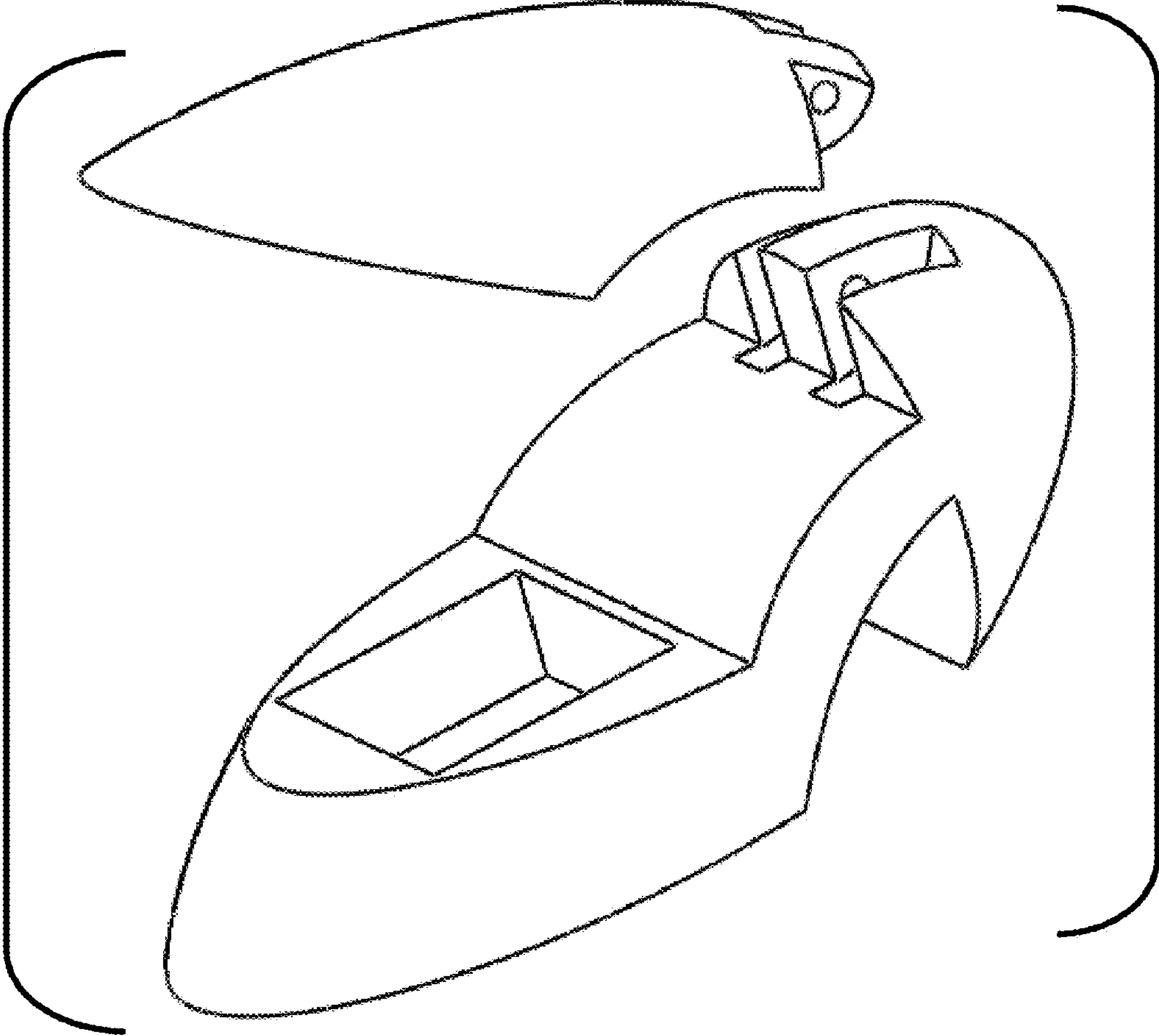


FIGURE 16

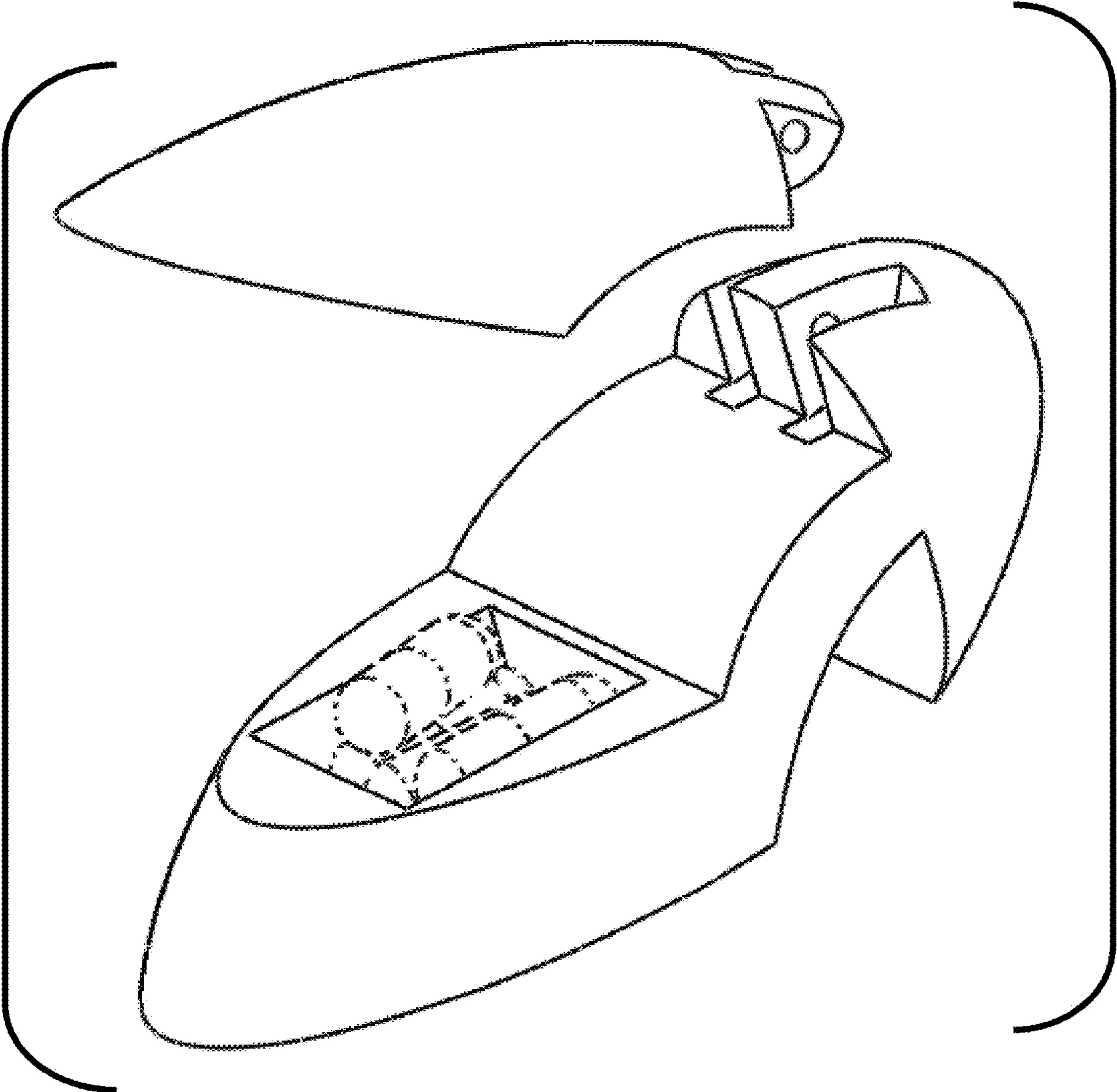


FIGURE 17