



US00D709687S

(12) **United States Design Patent**  
**Haydon et al.**

(10) **Patent No.:** **US D709,687 S**  
(45) **Date of Patent:** **\*\* Jul. 29, 2014**

(54) **UNDERCARRIAGE FOR PARASOL BASES**

(76) Inventors: **Astrid Frances Marie Haydon,**  
Fordingbridge (GB); **Corinne Elizabeth**  
**Elstow,** Wiltshire (GB)

(\*\*) Term: **14 Years**

(21) Appl. No.: **29/416,365**

(22) Filed: **Mar. 21, 2012**

(30) **Foreign Application Priority Data**

Sep. 21, 2011 (EP) ..... 001920554-0001

(51) **LOC (10) Cl.** ..... **03-03**

(52) **U.S. Cl.**  
USPC ..... **D3/10**

(58) **Field of Classification Search**

CPC ..... A47G 33/12; A47G 2033/1286; A47G  
2033/122; A61H 3/04; E04H 15/58; B60B  
33/00; A45B 2023/0037; A45B 2023/0012;  
A45B 23/00; F16M 11/42

USPC ..... D3/10, 13; D34/5, 6, 23; 135/16, 98,  
135/912; 248/129, 149, 154, 519, 522, 523,  
248/651, 907; 280/79.11, 43.14, 512

See application file for complete search history.

(56) **References Cited**

**U.S. PATENT DOCUMENTS**

2,112,155 A \* 3/1938 Haney et al. .... 248/149  
3,160,380 A \* 12/1964 Blades ..... 248/154

3,802,717 A \* 4/1974 Eitreim ..... 280/79.11  
3,831,959 A \* 8/1974 Fontana ..... 280/79.11  
3,923,318 A \* 12/1975 Renard et al. .... 280/35  
4,332,378 A \* 6/1982 Pryor ..... 482/68  
4,832,294 A \* 5/1989 Eidem ..... 248/125.8  
4,905,944 A \* 3/1990 Jost et al. .... 248/125.8  
D340,563 S \* 10/1993 Kean et al. .... D34/23  
D428,230 S \* 7/2000 Woodbridge ..... D34/23  
8,205,841 B2 \* 6/2012 Wood ..... 248/129  
8,657,246 B2 \* 2/2014 Ma ..... 248/346.01  
2013/0134285 A1 \* 5/2013 Weng ..... 248/523

\* cited by examiner

*Primary Examiner* — Thomas Johannes

*Assistant Examiner* — Holly E Thurman

(74) *Attorney, Agent, or Firm* — McCarter & English, LLP;  
David R. Burns

(57) **CLAIM**

The ornamental design for an undercarriage for parasol bases,  
as shown and described.

**DESCRIPTION**

FIG. 1 is a perspective view of an undercarriage for parasol  
bases showing our new design;

FIG. 2 is a side elevation thereof;

FIG. 3 is a top view thereof;

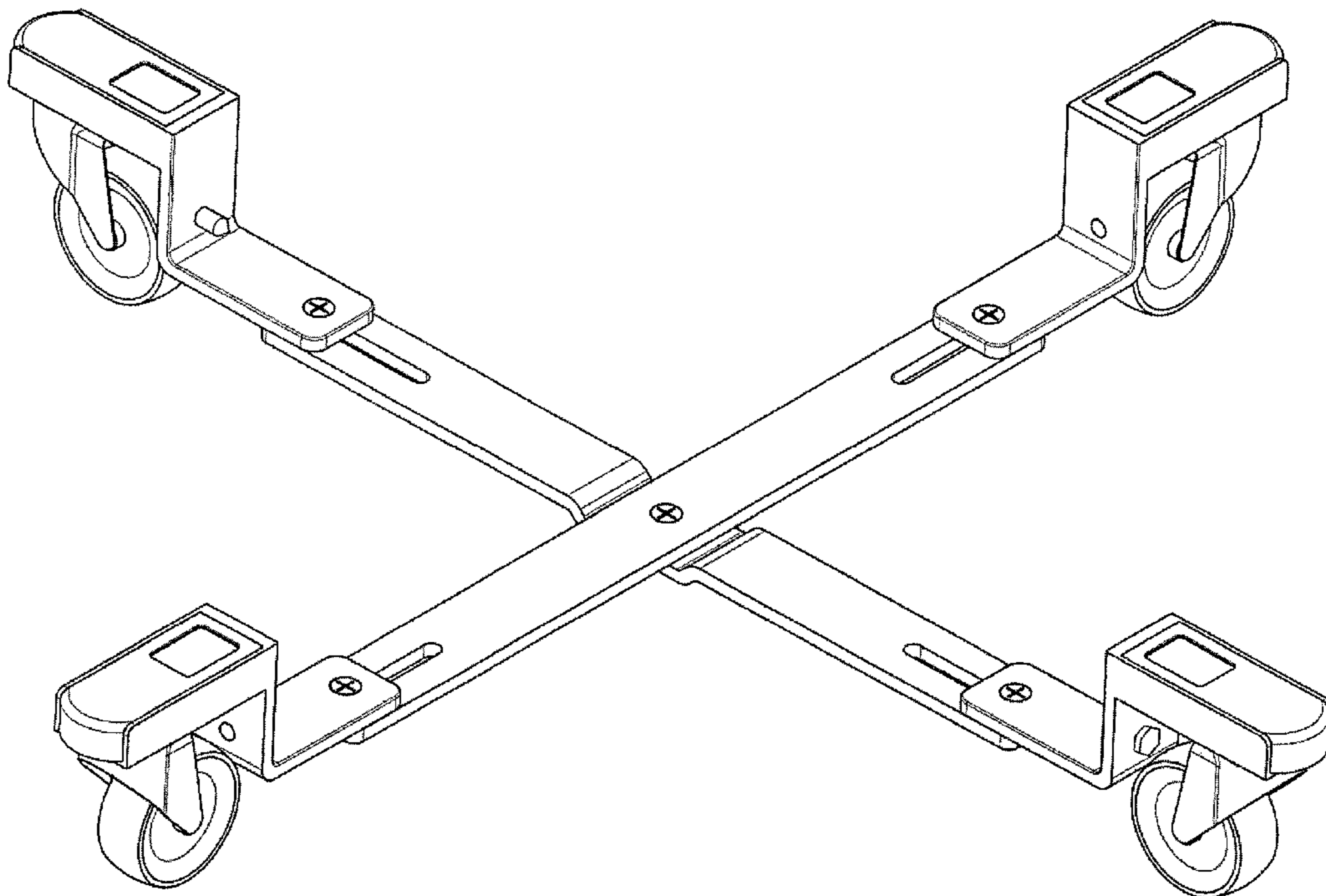
FIG. 4 is a bottom view thereof;

FIG. 5 is a perspective view thereof; and,

FIG. 6 is an exploded perspective view thereof.

The umbrella stand shown in broken lines in FIG. 5 is shown  
for illustrative purposes only and does not form part of the  
claimed design.

**1 Claim, 6 Drawing Sheets**



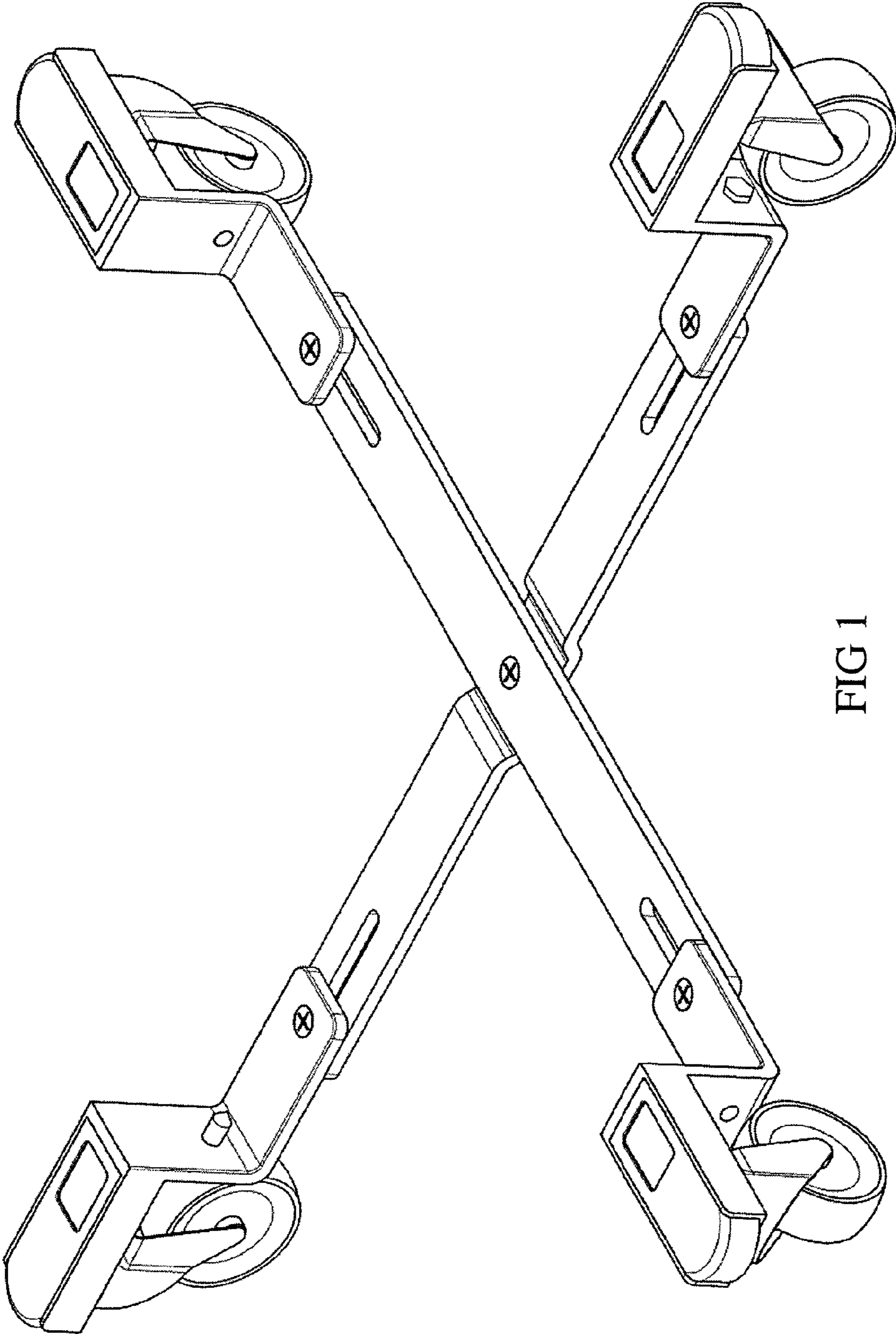


FIG 1

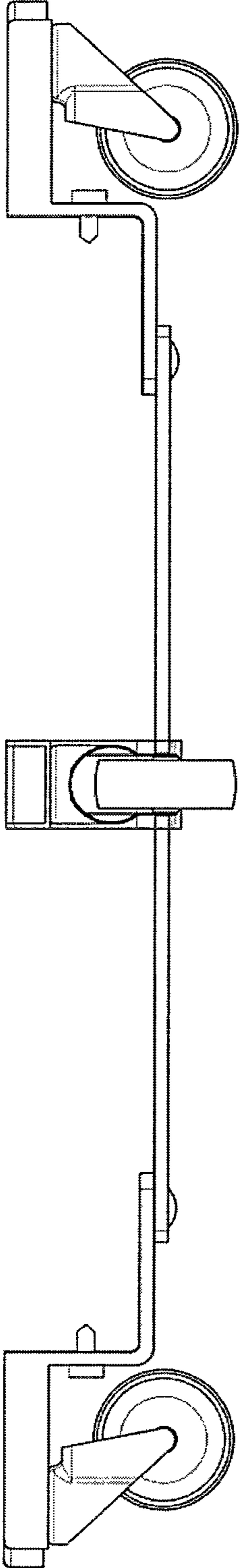


FIG 2

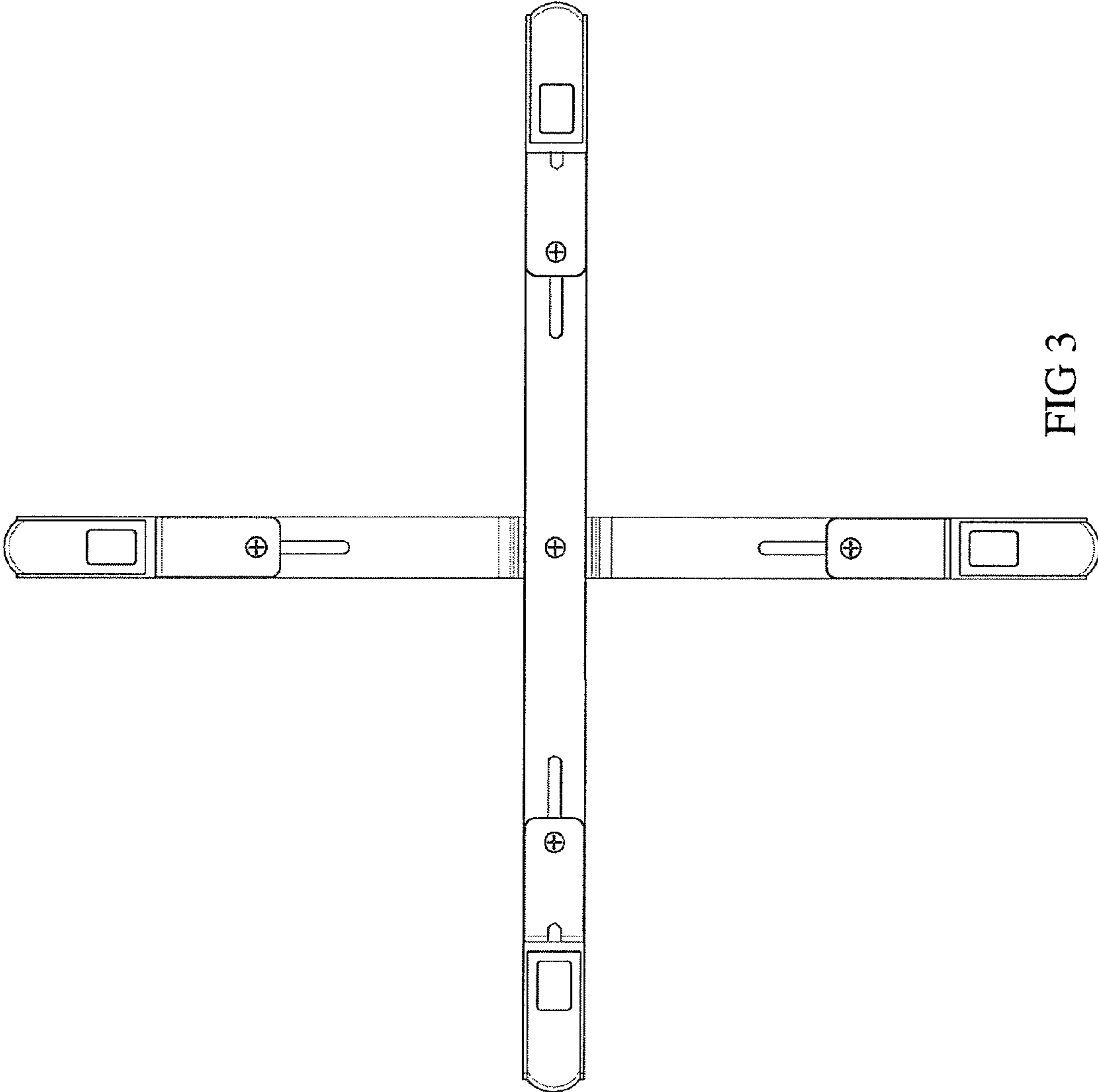


FIG 3

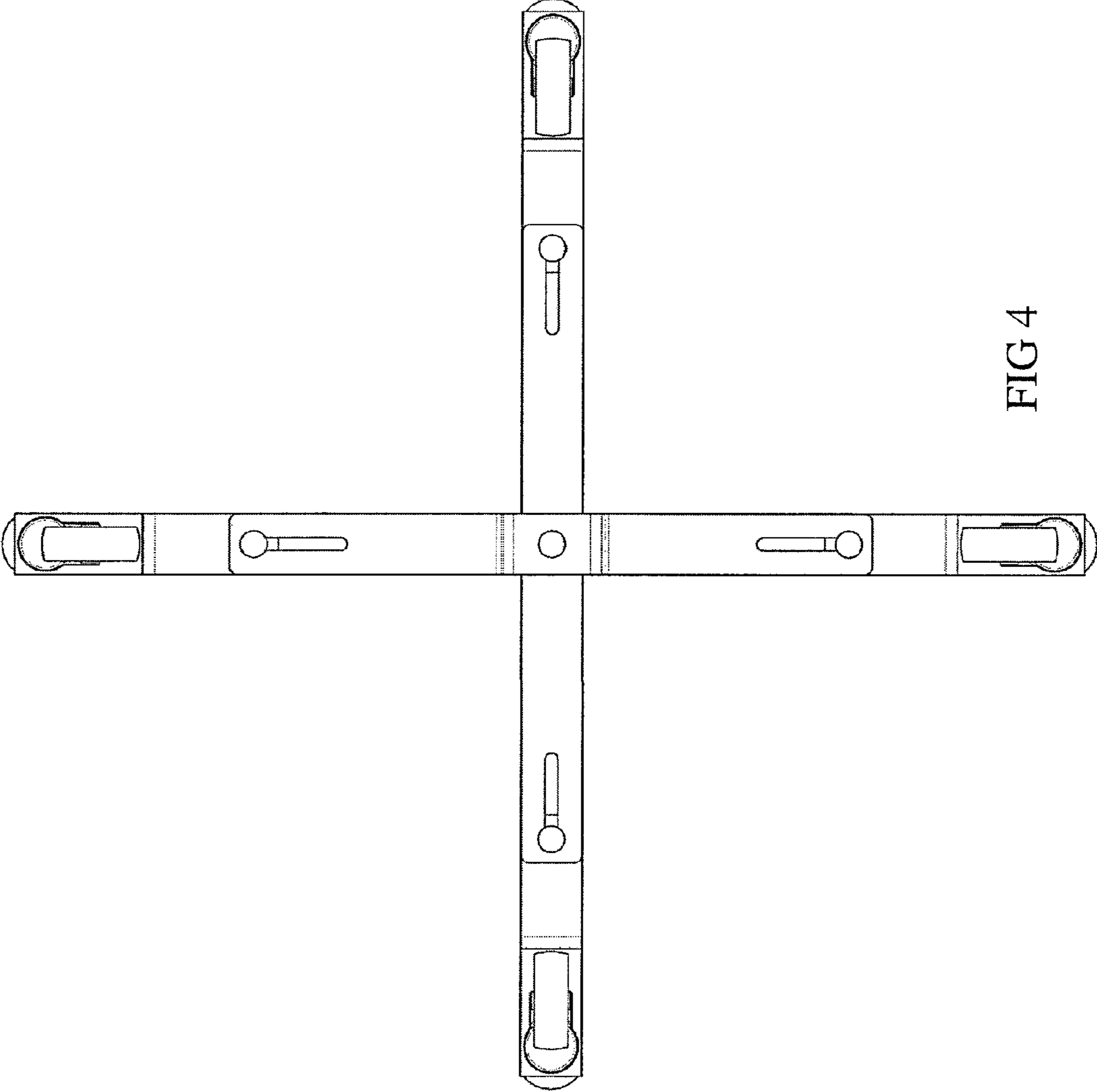


FIG 4

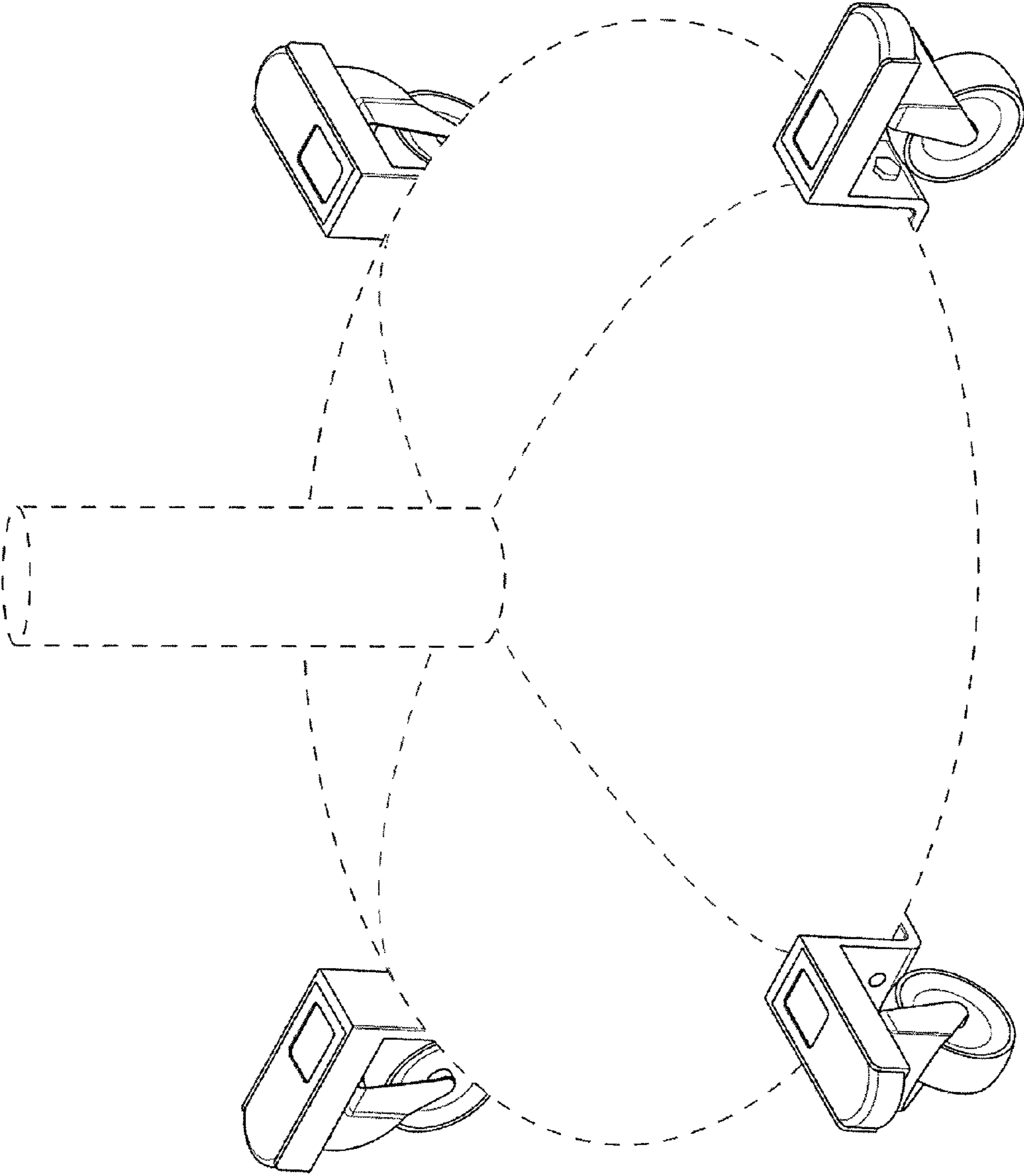


FIG 5

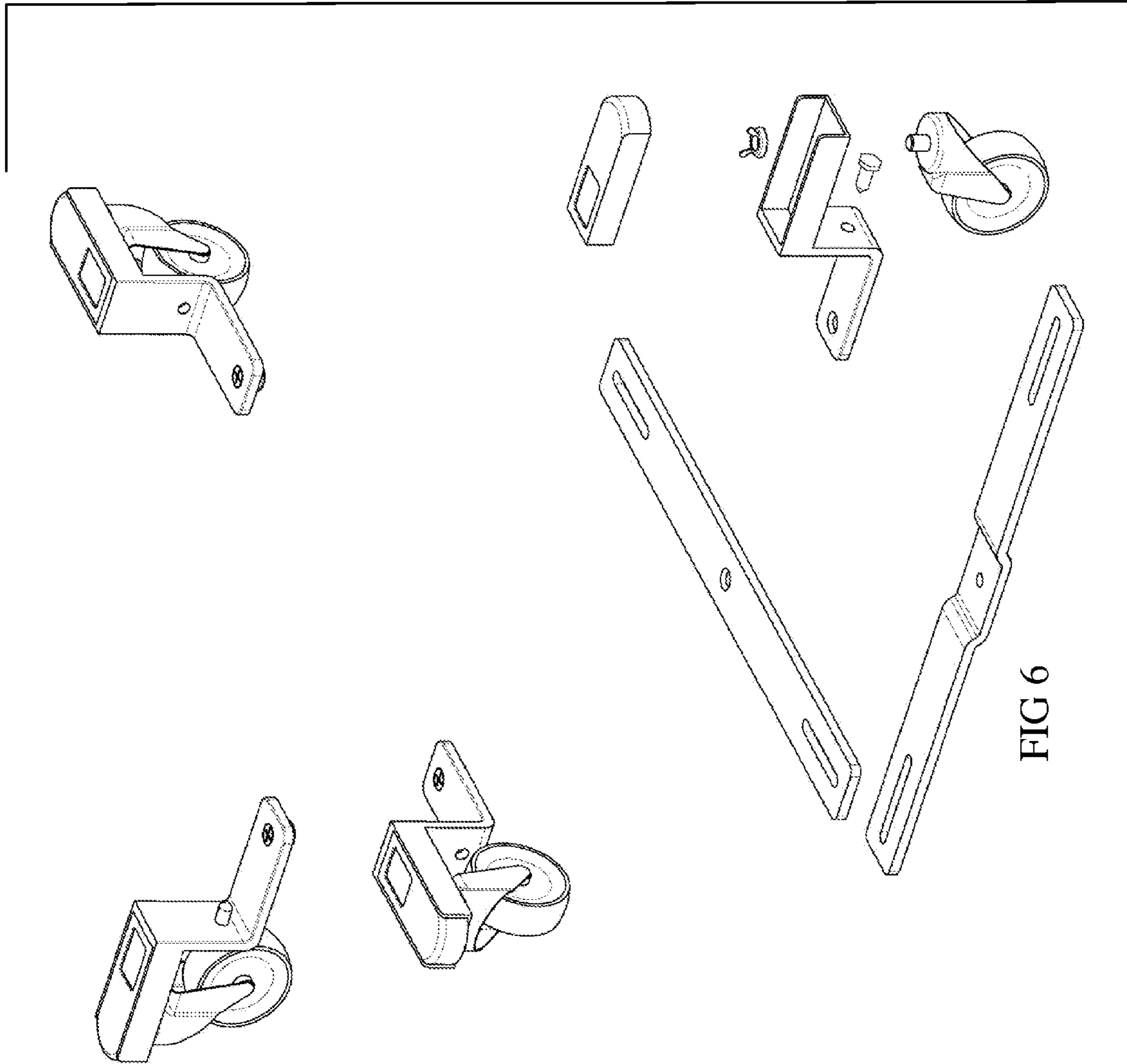


FIG 6