



US00D709675S

(12) **United States Design Patent**  
**Cho**

(10) **Patent No.:** **US D709,675 S**  
(45) **Date of Patent:** **\*\* \*Jul. 29, 2014**

- (54) **CAP**
- (71) Applicant: **Yupoong, Inc.**, Seoul (KR)
- (72) Inventor: **Byoung-Woo Cho**, Seoul (KR)
- (73) Assignee: **Yupoong, Inc.** (KR)
- (\*) Notice: This patent is subject to a terminal disclaimer.
- (\*\*) Term: **14 Years**
- (21) Appl. No.: **29/456,388**
- (22) Filed: **May 30, 2013**
- (51) **LOC (10) Cl.** ..... **02-03**
- (52) **U.S. Cl.**  
USPC ..... **D2/882**
- (58) **Field of Classification Search**  
USPC ..... D2/865, 866, 872, 878, 879, 882, 883,  
D2/884, 886, 887, 888, 891, 892; 2/171,  
2/171.5, 171.6, 171.7, 171.8, 175.1,  
2/175.9, 183, 195.1, 195.2, 209.12,  
2/209.13, 209.3, 209.4, 209.5, 209.7  
See application file for complete search history.

(56) **References Cited**

**U.S. PATENT DOCUMENTS**

2,749,555	A *	6/1956	Oliveira	.....	40/329
D368,153	S *	3/1996	Amey	.....	D2/879
D403,491	S *	1/1999	Wyatt et al.	.....	D2/866
5,933,872	A *	8/1999	Lema	.....	2/209.7
D429,404	S *	8/2000	DeChambeau	.....	D2/866

6,986,166	B2	1/2006	Cho	
D514,281	S	2/2006	Cho	
D520,716	S	5/2006	Cho	
D537,239	S *	2/2007	Puett, III	..... D2/882
D582,634	S *	12/2008	Lagassey	..... D2/866
D671,716	S *	12/2012	Lam et al.	..... D2/882
D693,099	S *	11/2013	Purdy	..... D2/882
D694,493	S *	12/2013	Presha et al.	..... D2/882
2002/0095715	A1 *	7/2002	Hong	..... 2/209.11
2003/0233696	A1 *	12/2003	Lee	..... 2/195.2
2004/0250336	A1	12/2004	Cho	
2006/0048275	A1	3/2006	Cho	

\* cited by examiner

*Primary Examiner* — Karen E Eldridge Powers

(74) *Attorney, Agent, or Firm* — Fellers, Snider, Blankenship, Bailey & Tippens, P.C.

(57) **CLAIM**

The ornamental design for a cap, as shown and described.

**DESCRIPTION**

FIG. 1 is a front perspective view of the cap showing my design;  
 FIG. 2 is a front elevation view thereof;  
 FIG. 3 is a rear elevation view thereof;  
 FIG. 4 is a left side elevation view thereof;  
 FIG. 5 is a right side elevation view thereof;  
 FIG. 6 is a top plan view thereof;  
 FIG. 7 is a bottom plan view thereof; and,  
 FIG. 8 is a rear perspective view thereof.  
 The six rows of broken lines on the bill of the cap of FIGS. 1 and 6-8 are lines of stitching that form no part of the claimed design.

**1 Claim, 8 Drawing Sheets**

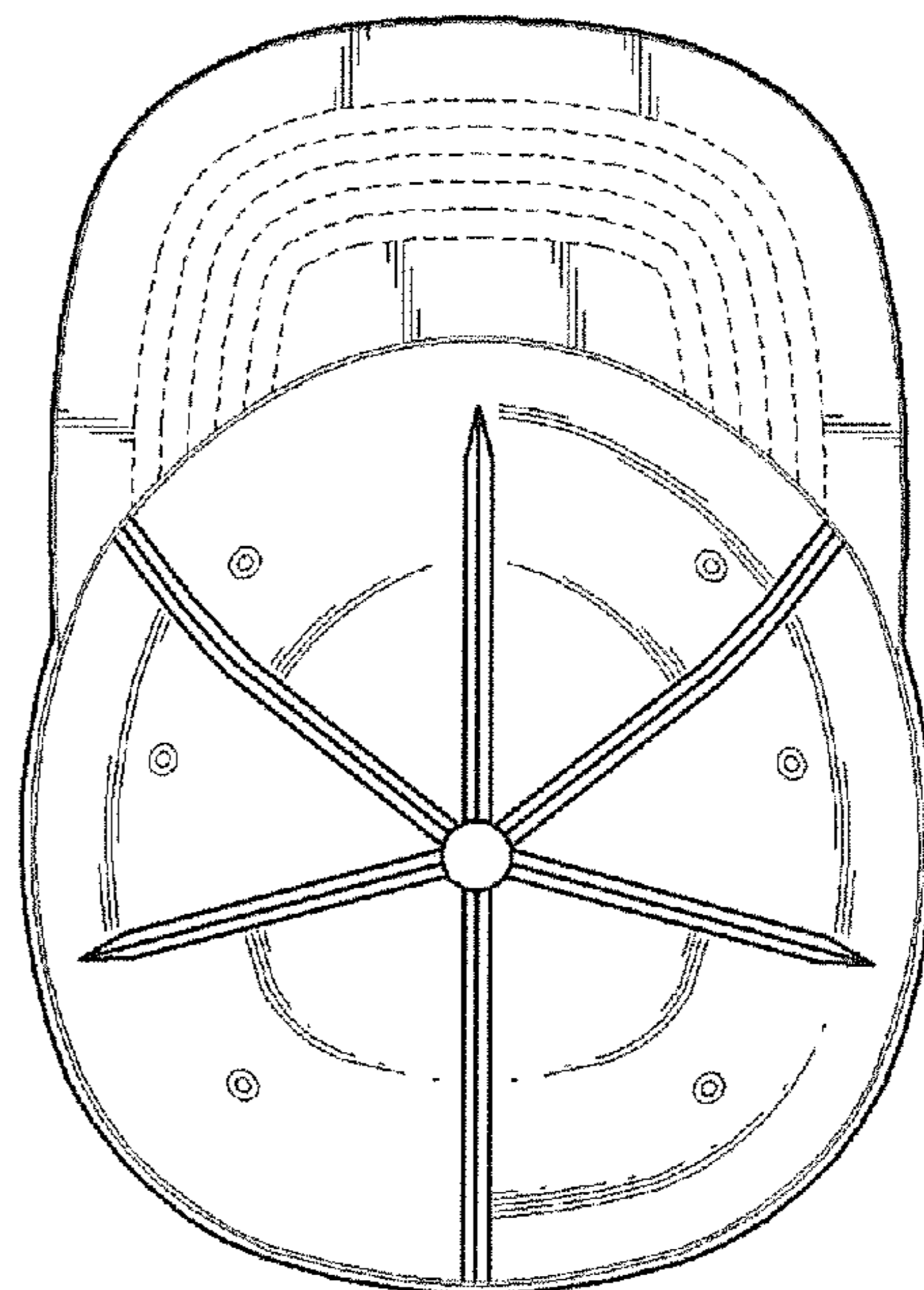
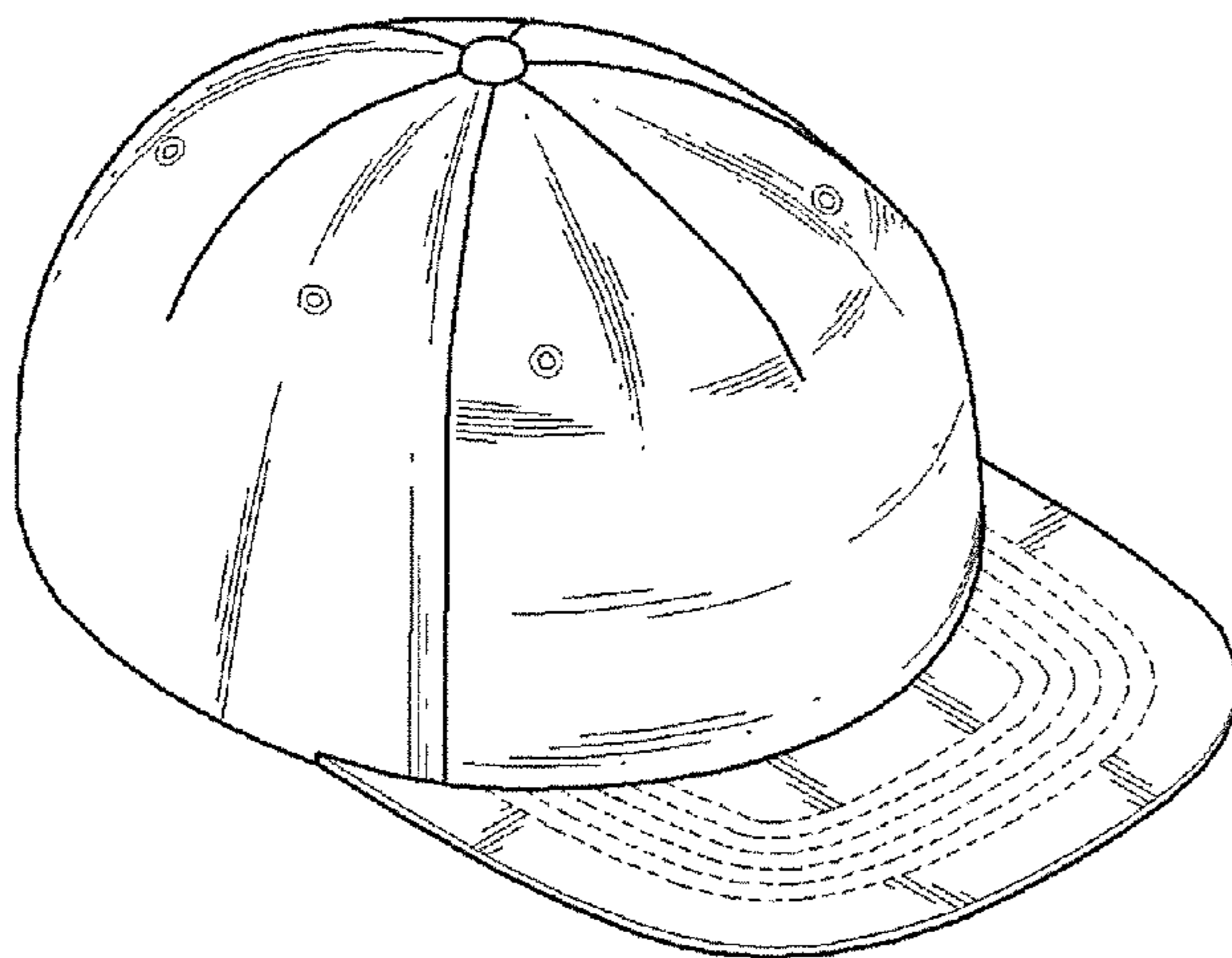


FIG. 1

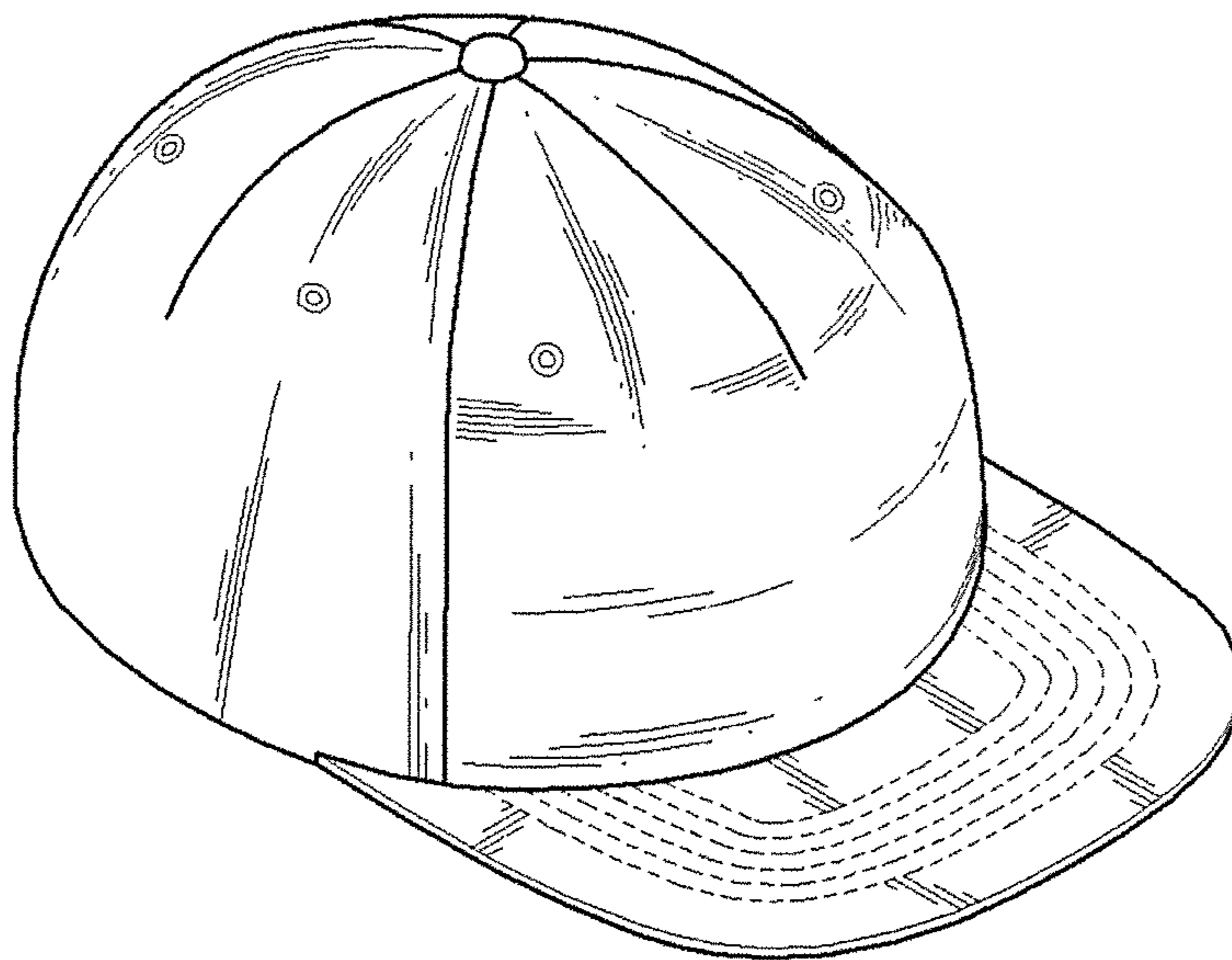


FIG. 2

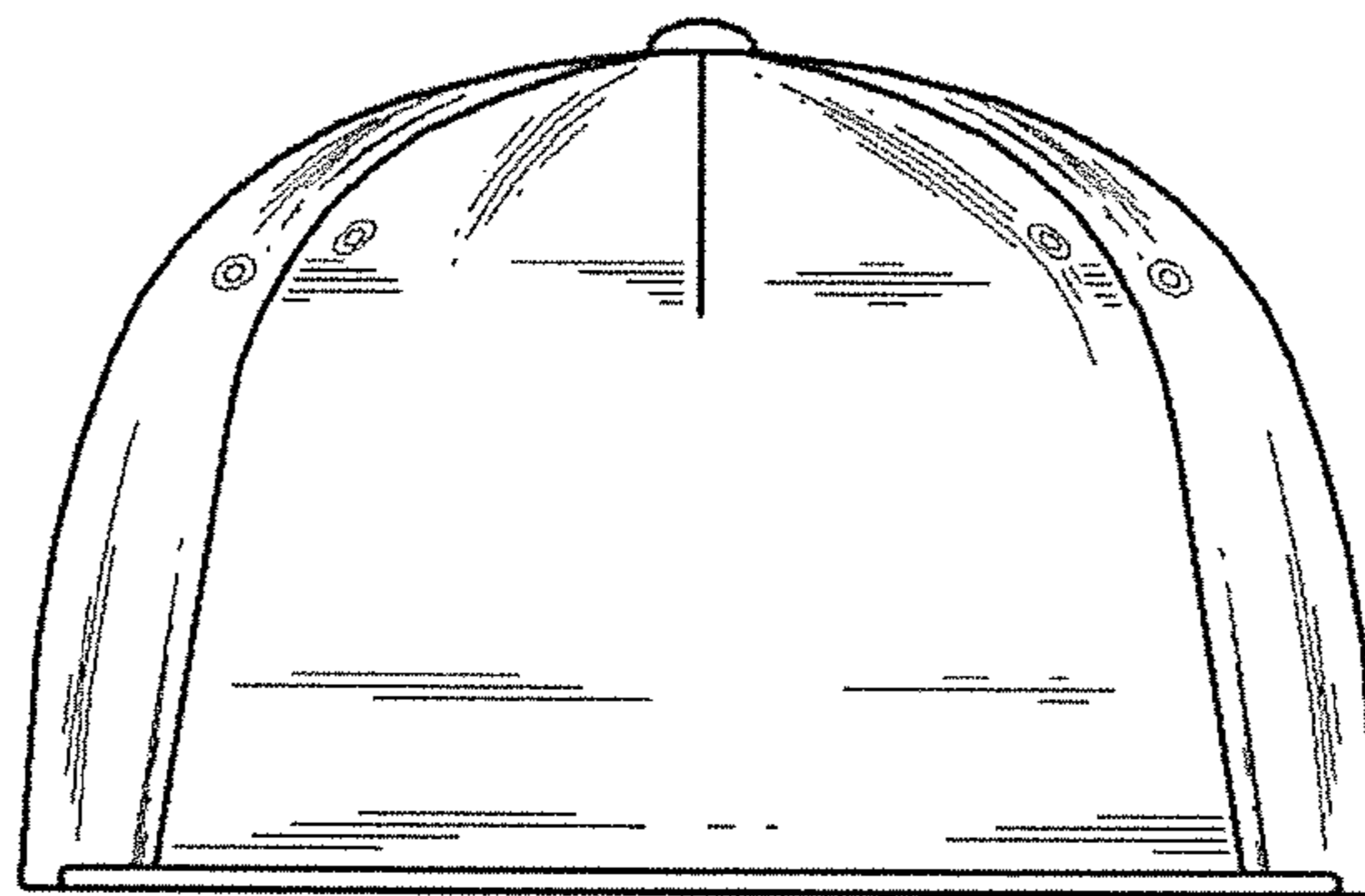


FIG. 3

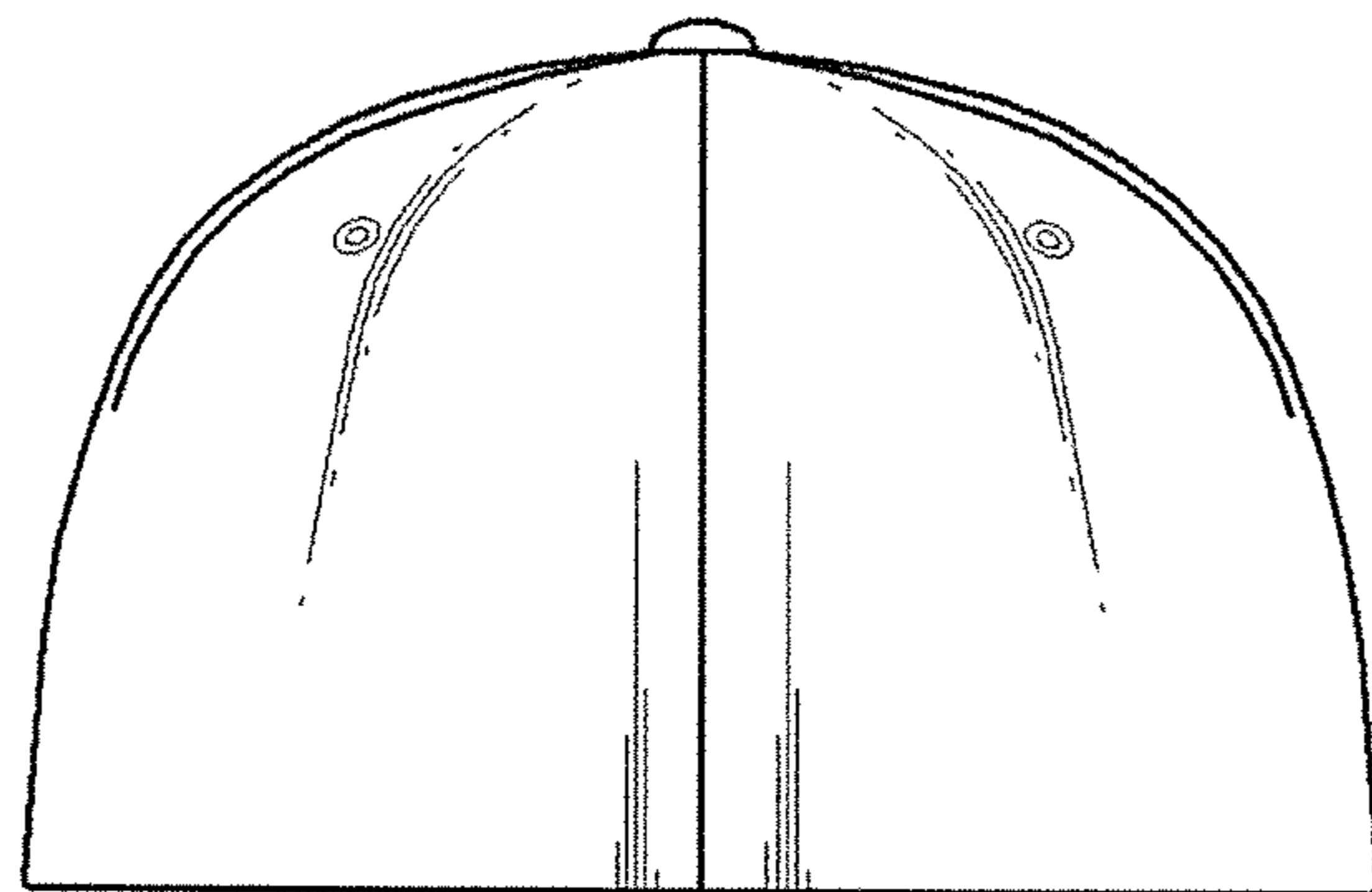


FIG. 4

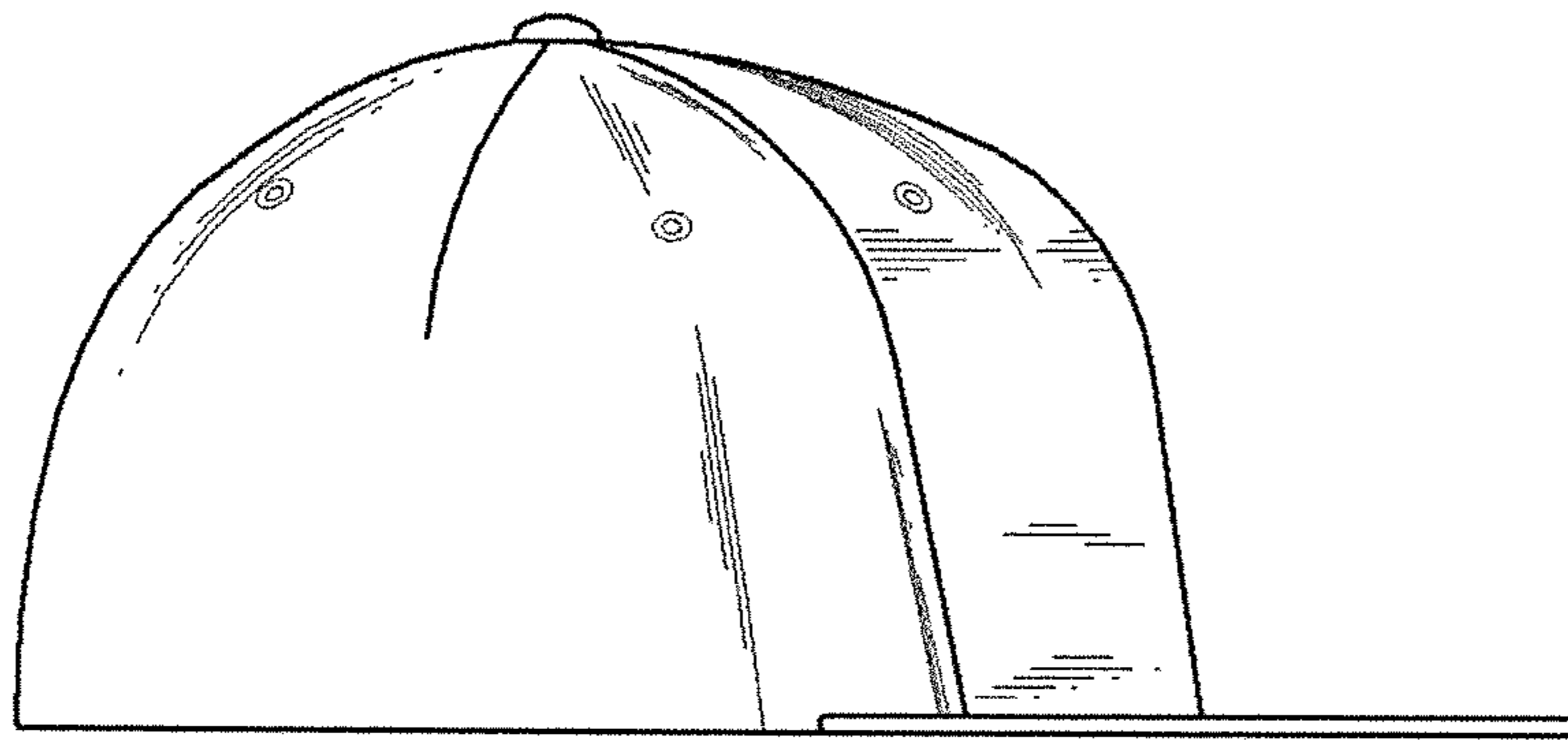


FIG. 5

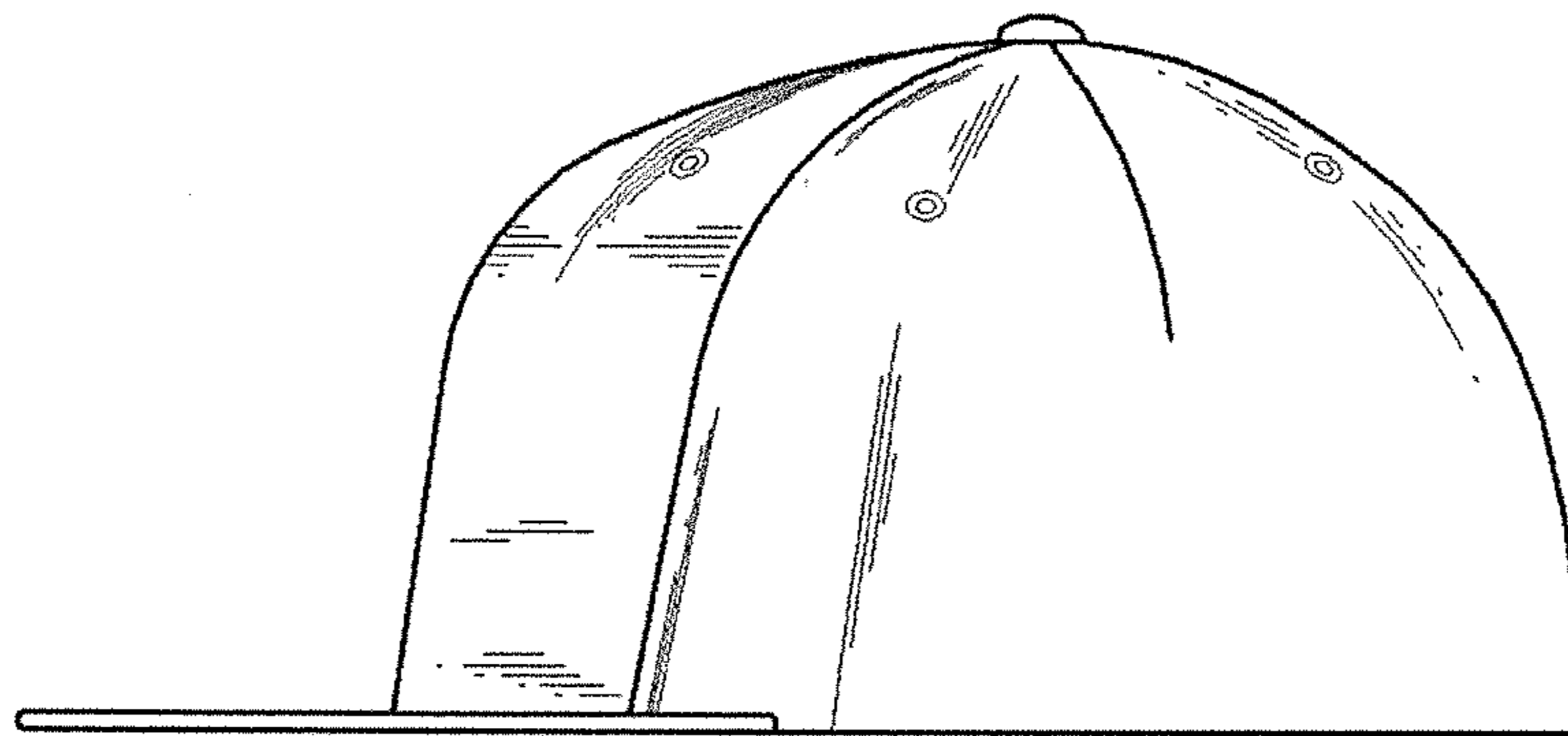


FIG. 6

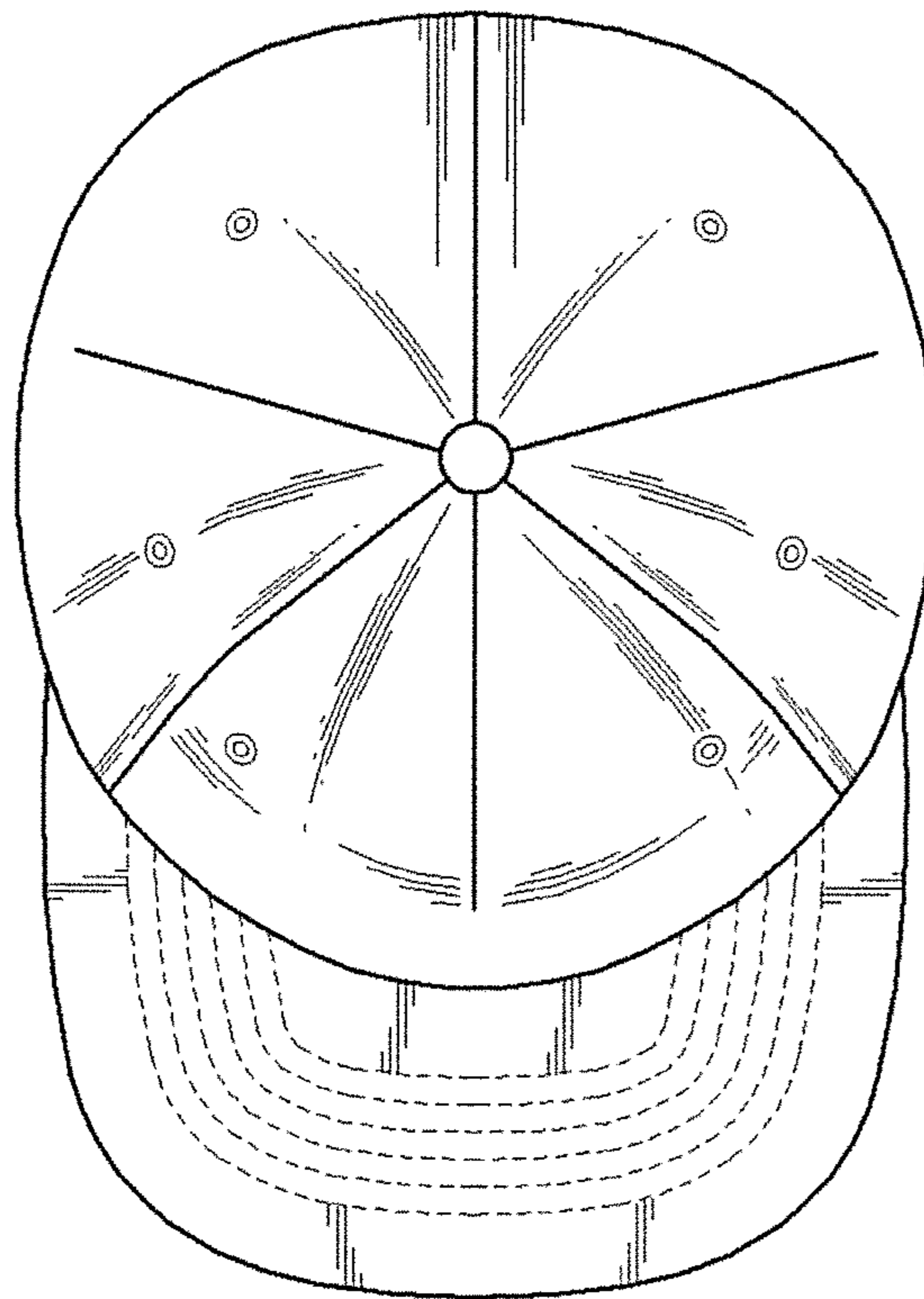


FIG. 7

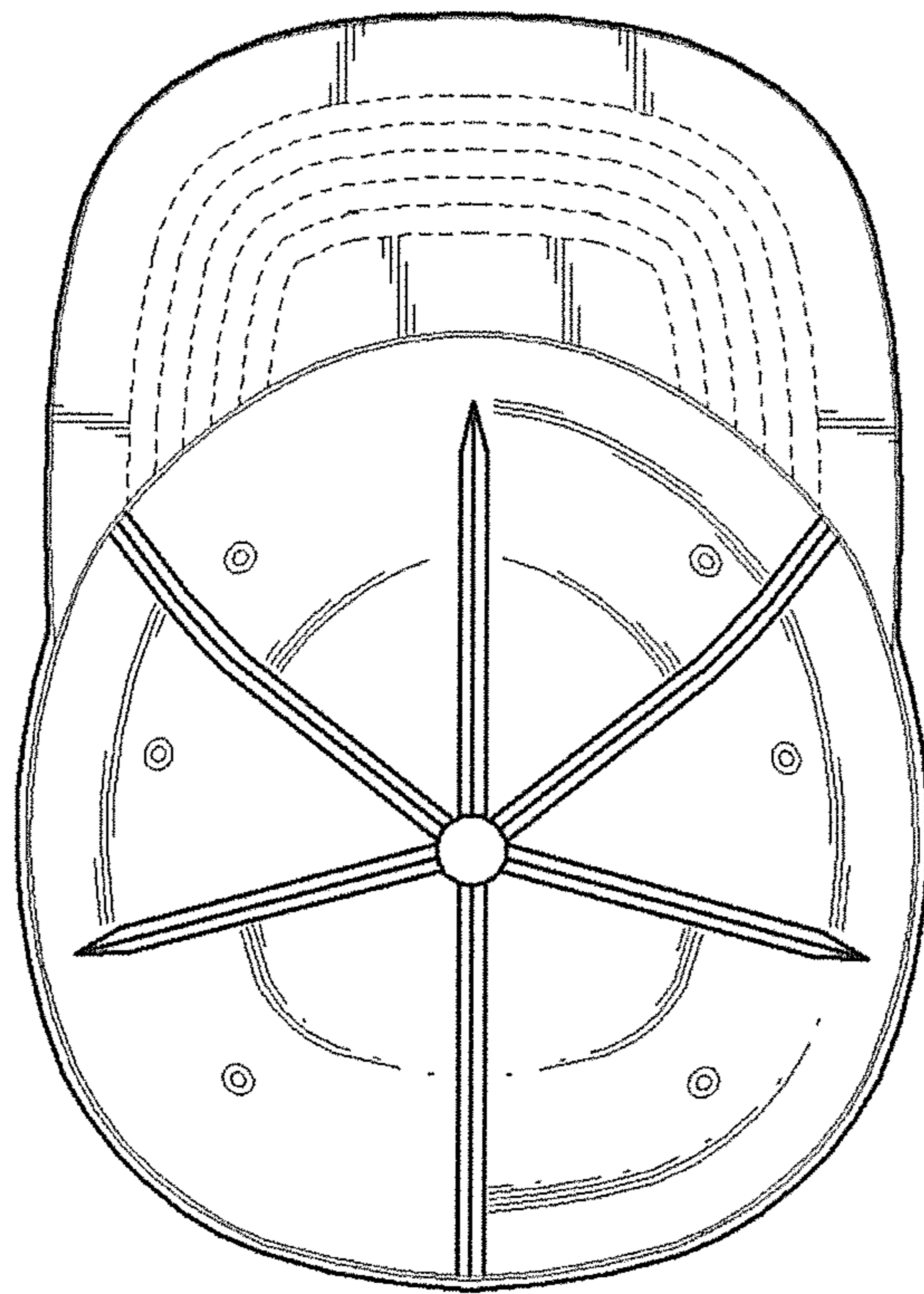




FIG. 8

