

US00D709668S

(12) **United States Design Patent**
Martz

(10) **Patent No.:** **US D709,668 S**
(45) **Date of Patent:** **** Jul. 29, 2014**

- (54) **BRA**
 - (75) Inventor: **Natalie Anne Martz**, Vancouver (CA)
 - (73) Assignee: **Lululemon Athletica Canada Inc.**,
Vancouver (CA)
 - (**) Term: **14 Years**
 - (21) Appl. No.: **29/417,022**
 - (22) Filed: **Mar. 29, 2012**
 - (51) **LOC (10) Cl.** **02-01**
 - (52) **U.S. Cl.**
USPC **D2/708**
 - (58) **Field of Classification Search**
CPC A41C 3/0057; A41C 3/0014
USPC D2/700, 701, 702, 703, 704, 705, 706,
D2/707, 708, 709, 710, 731, 737, 793, 829,
D2/841; 2/67, 69, 104, 109; 450/1, 2, 34,
450/86
- See application file for complete search history.

(56) **References Cited**

U.S. PATENT DOCUMENTS

- D635,329 S * 4/2011 Wahl et al. D2/706
- 2009/0270013 A1 * 10/2009 Clair et al. 450/30
- 2014/0031775 A1 * 1/2014 Criss 604/355

* cited by examiner

Primary Examiner — Karen E Eldridge Powers
(74) *Attorney, Agent, or Firm* — McCarthy Tetrault LLP

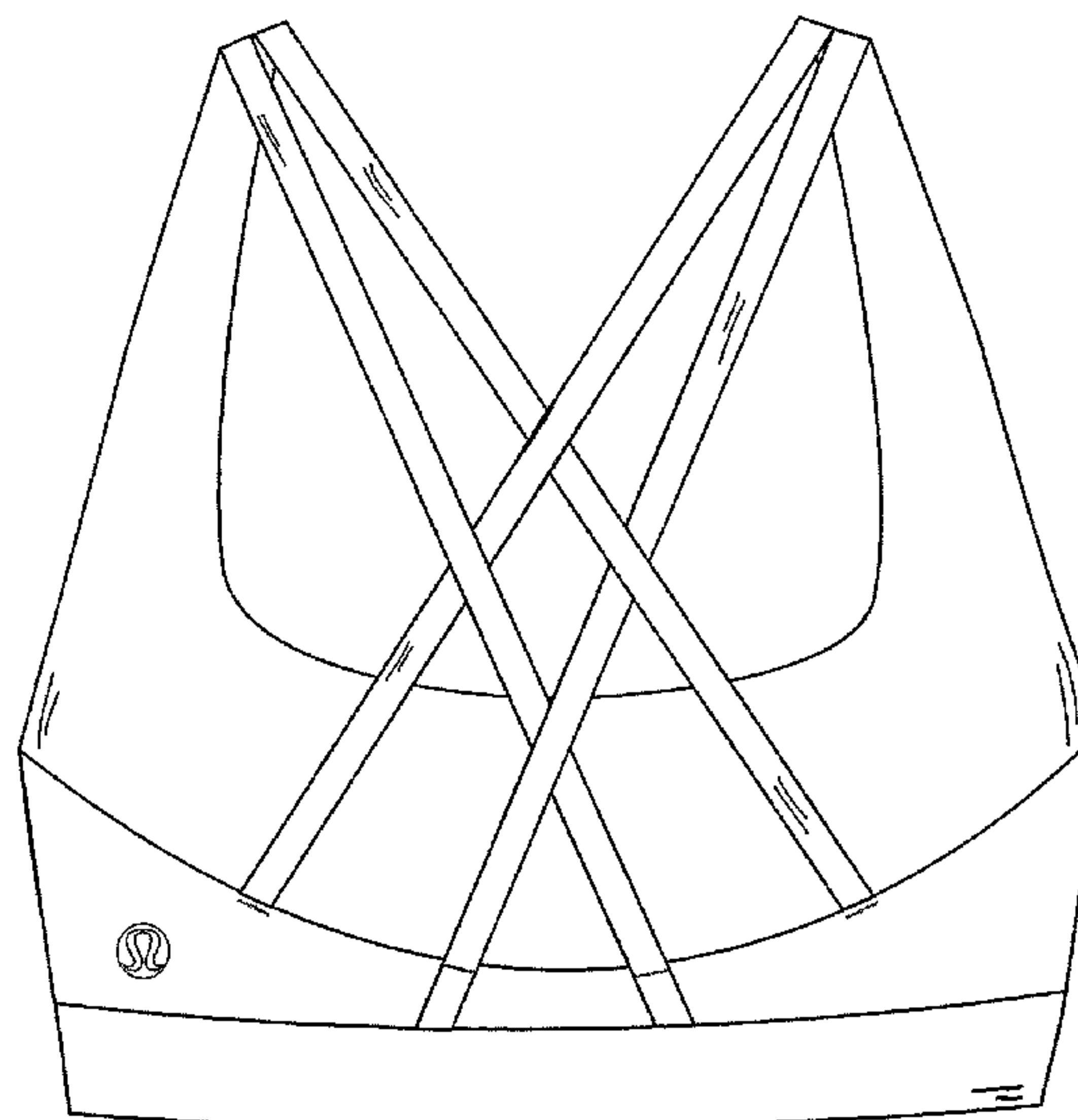
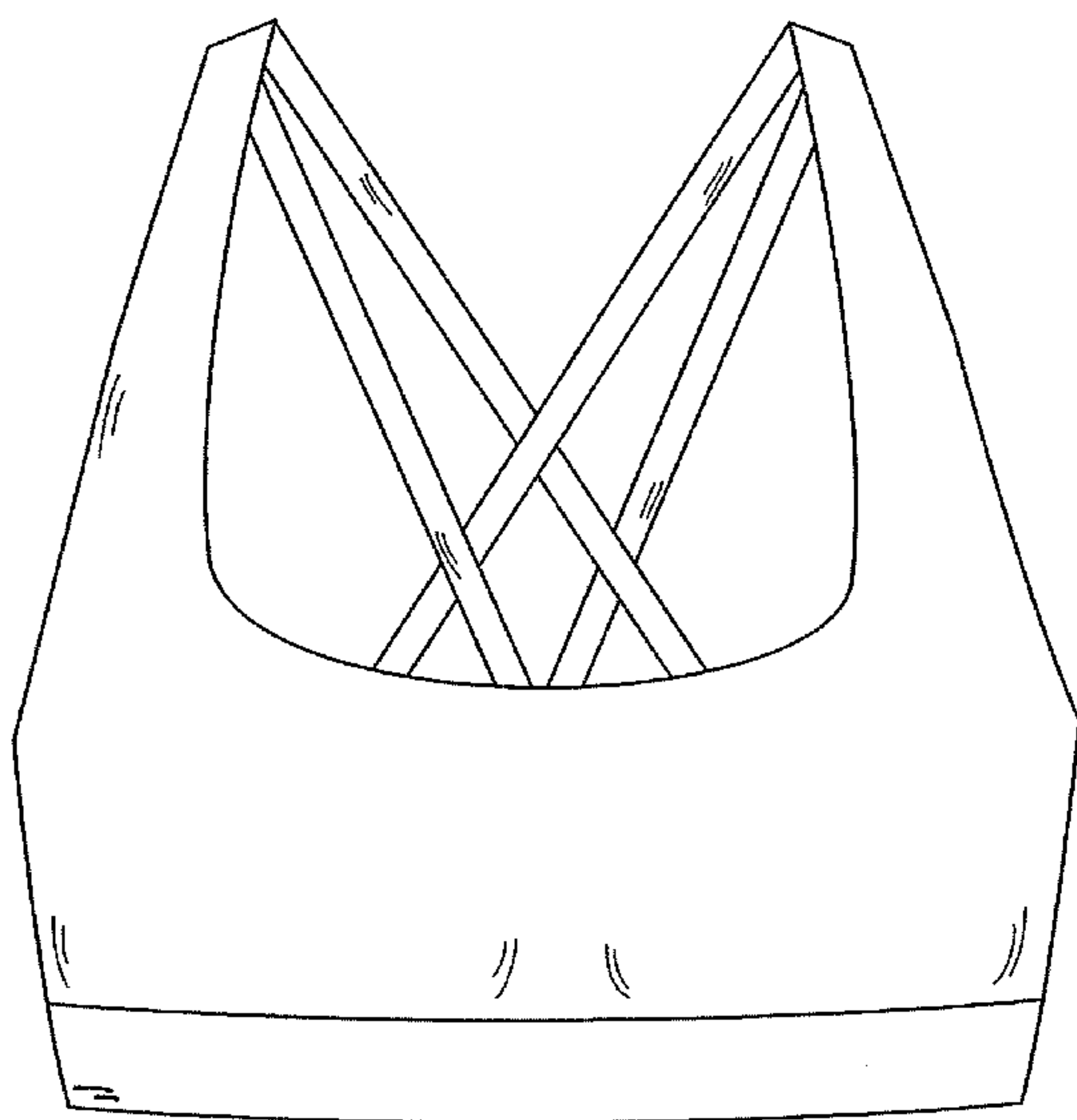
(57) **CLAIM**
The ornamental design for a bra, as shown and described.

DESCRIPTION

FIG. 1 is a front view of a bra according to a first embodiment of the design;
 FIG. 2 is a rear view thereof;
 FIG. 3 is a right side view thereof;
 FIG. 4 is a left side view thereof;
 FIG. 5 is a top view thereof;
 FIG. 6 is a front perspective view thereof;
 FIG. 7 is a rear view of a bra according to a second embodiment of the design, the front, left side, top, and front perspective views being the same as FIGS. 1 and 4-6, respectively; and,
 FIG. 8 is a right side view thereof.

The symbol depicted in FIGS. 7-8 forming part of the claimed design is a registered trademark of Lululemon Athletica Canada Inc.

1 Claim, 8 Drawing Sheets



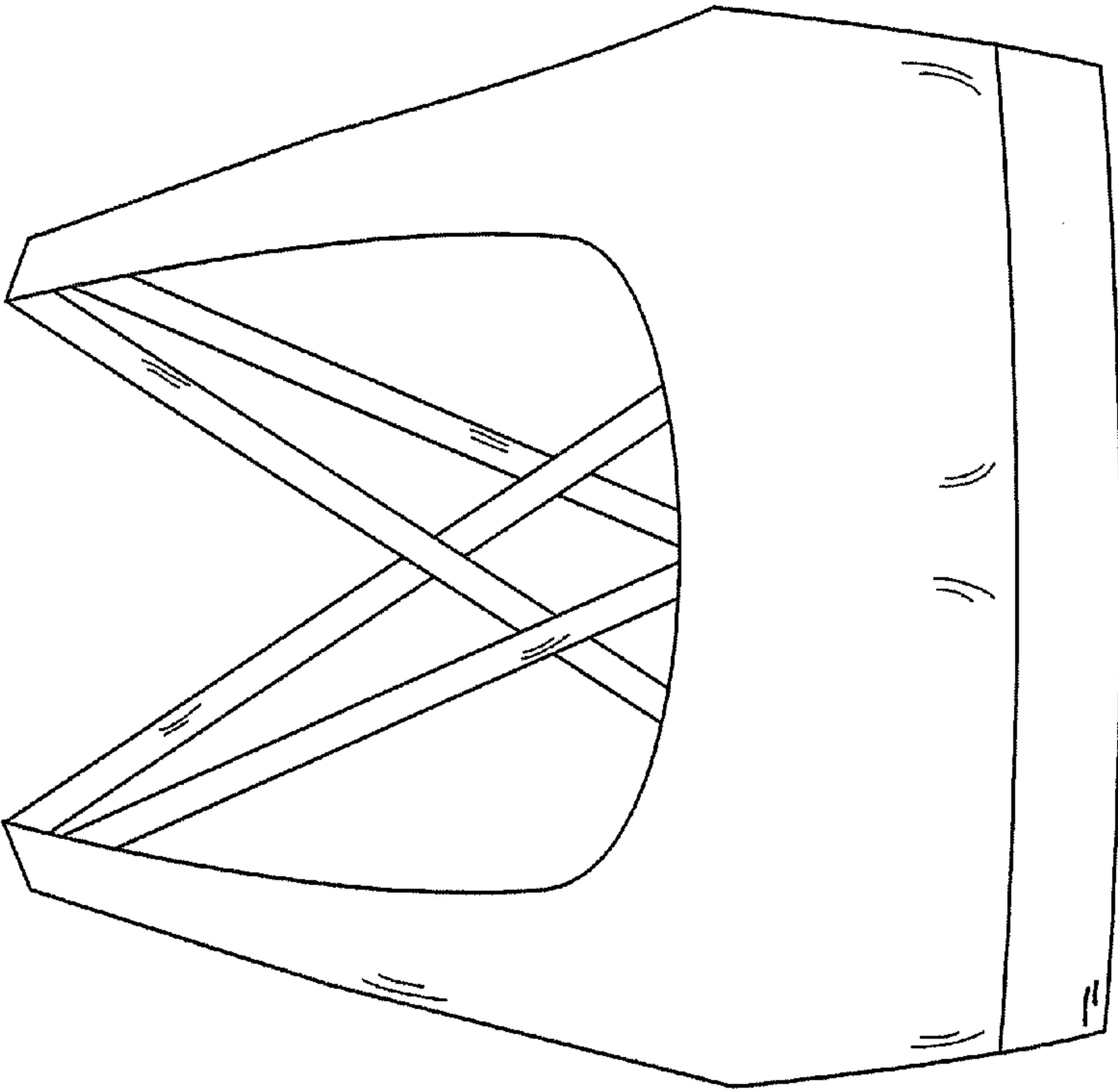


Fig. 1

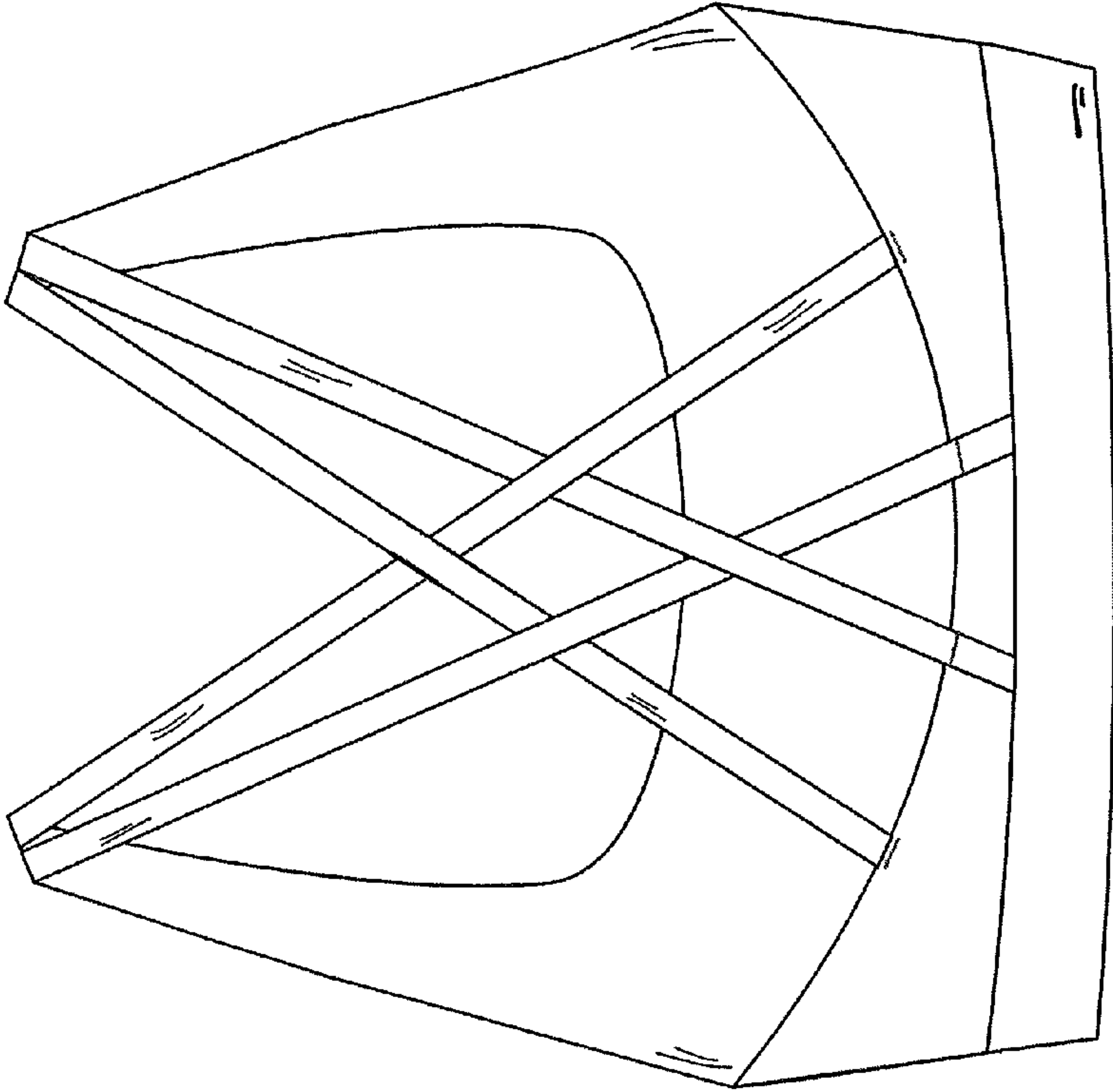


Fig. 2

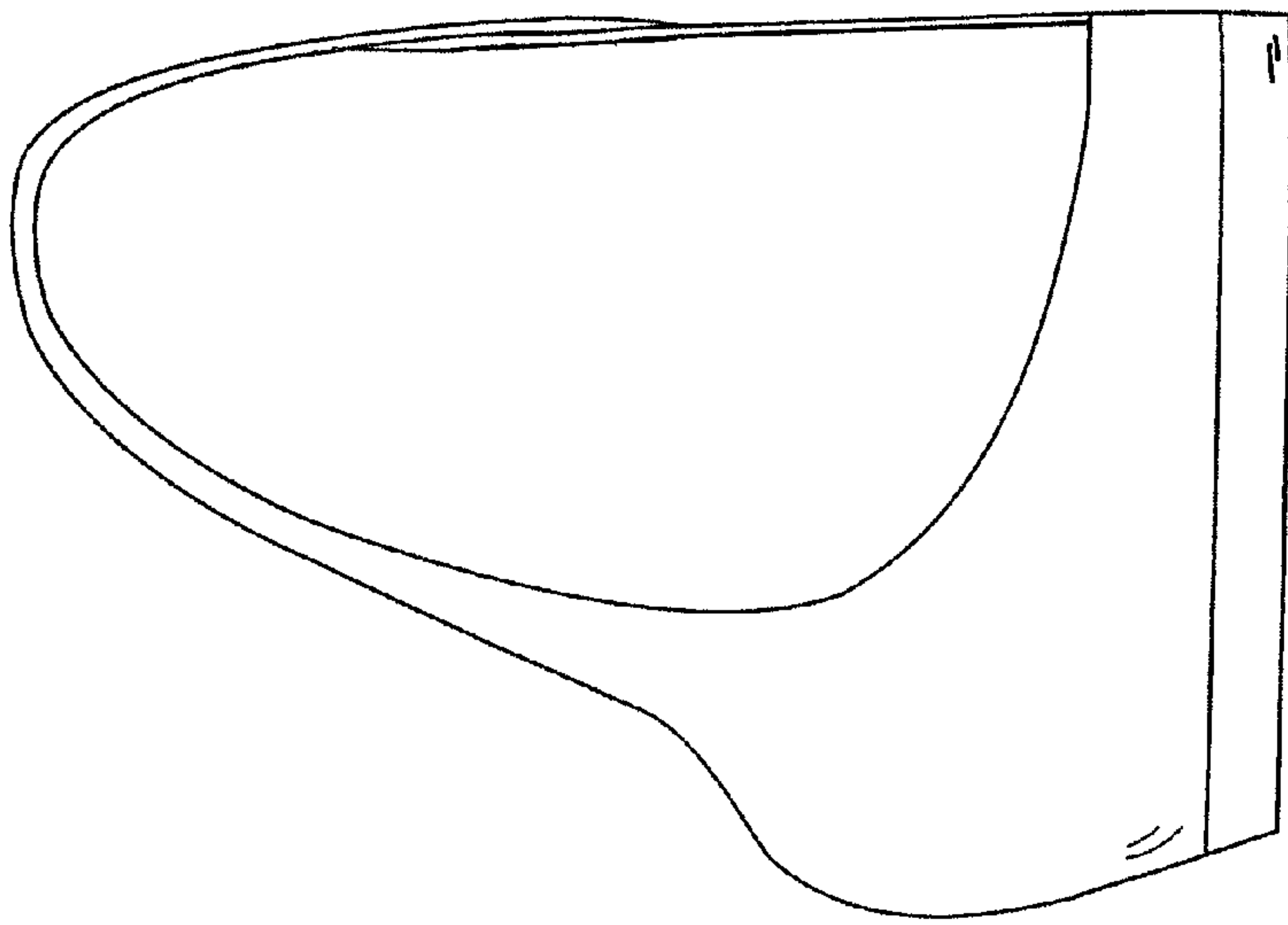


Fig. 3

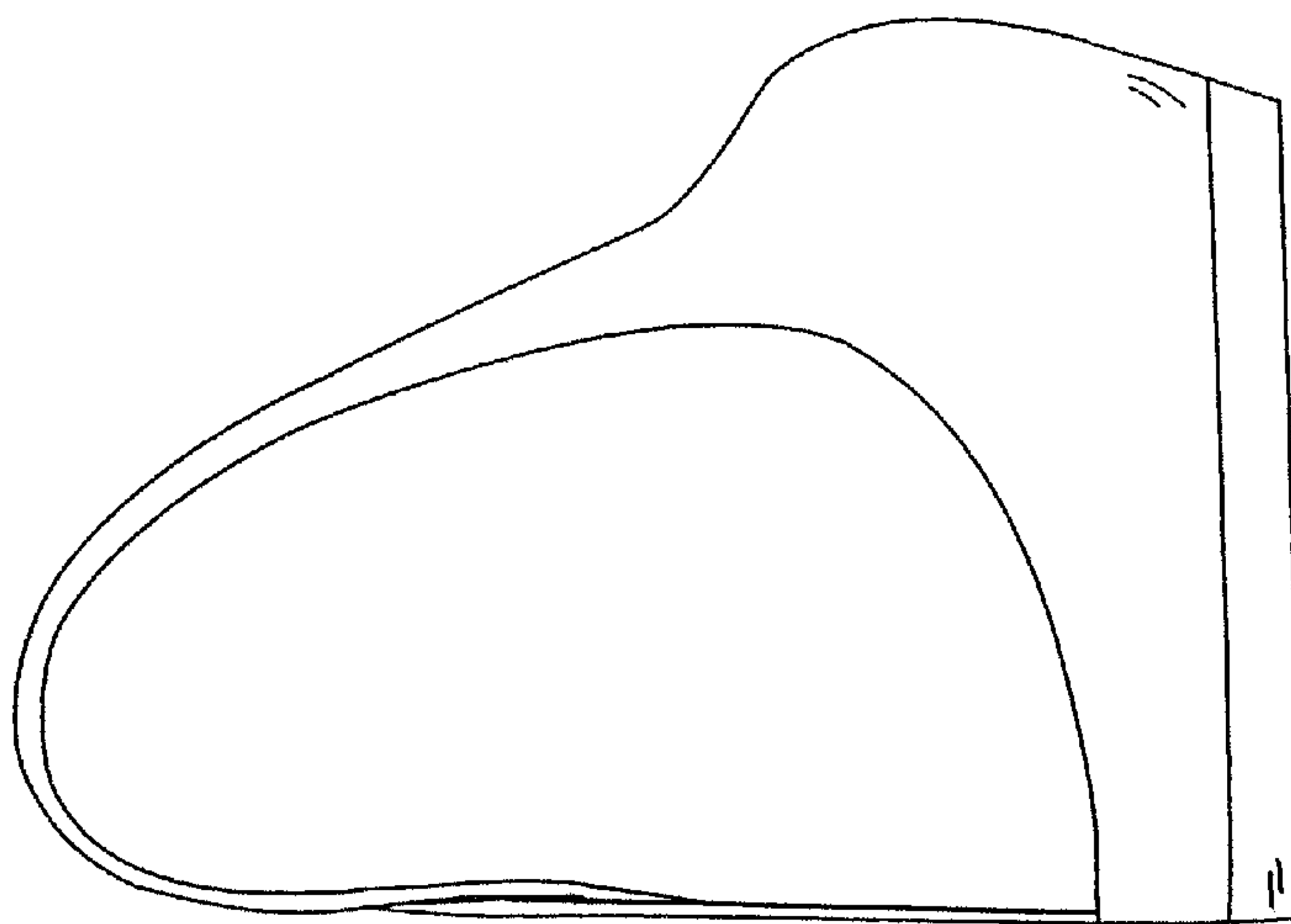


Fig. 4

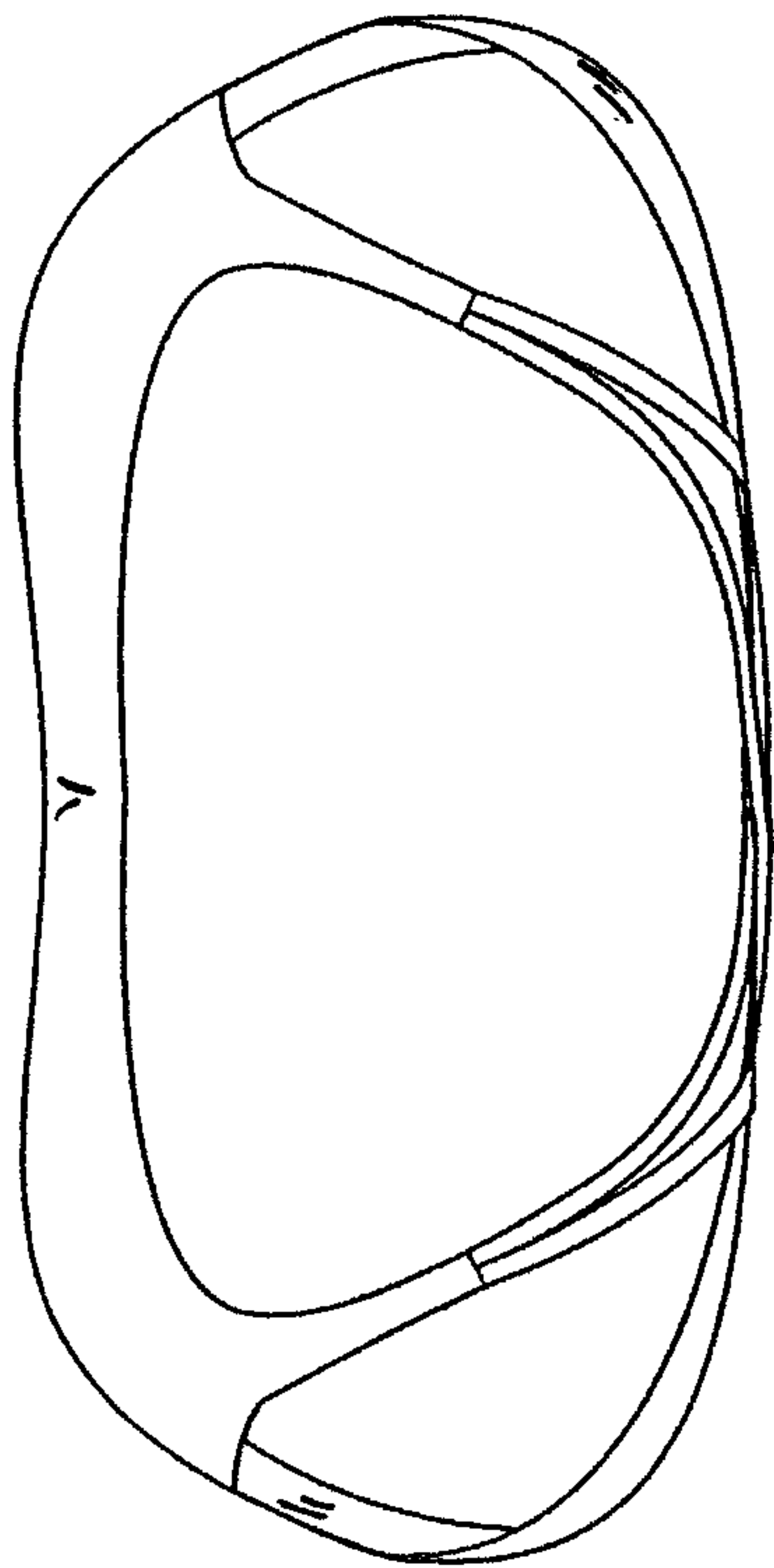


Fig. 5

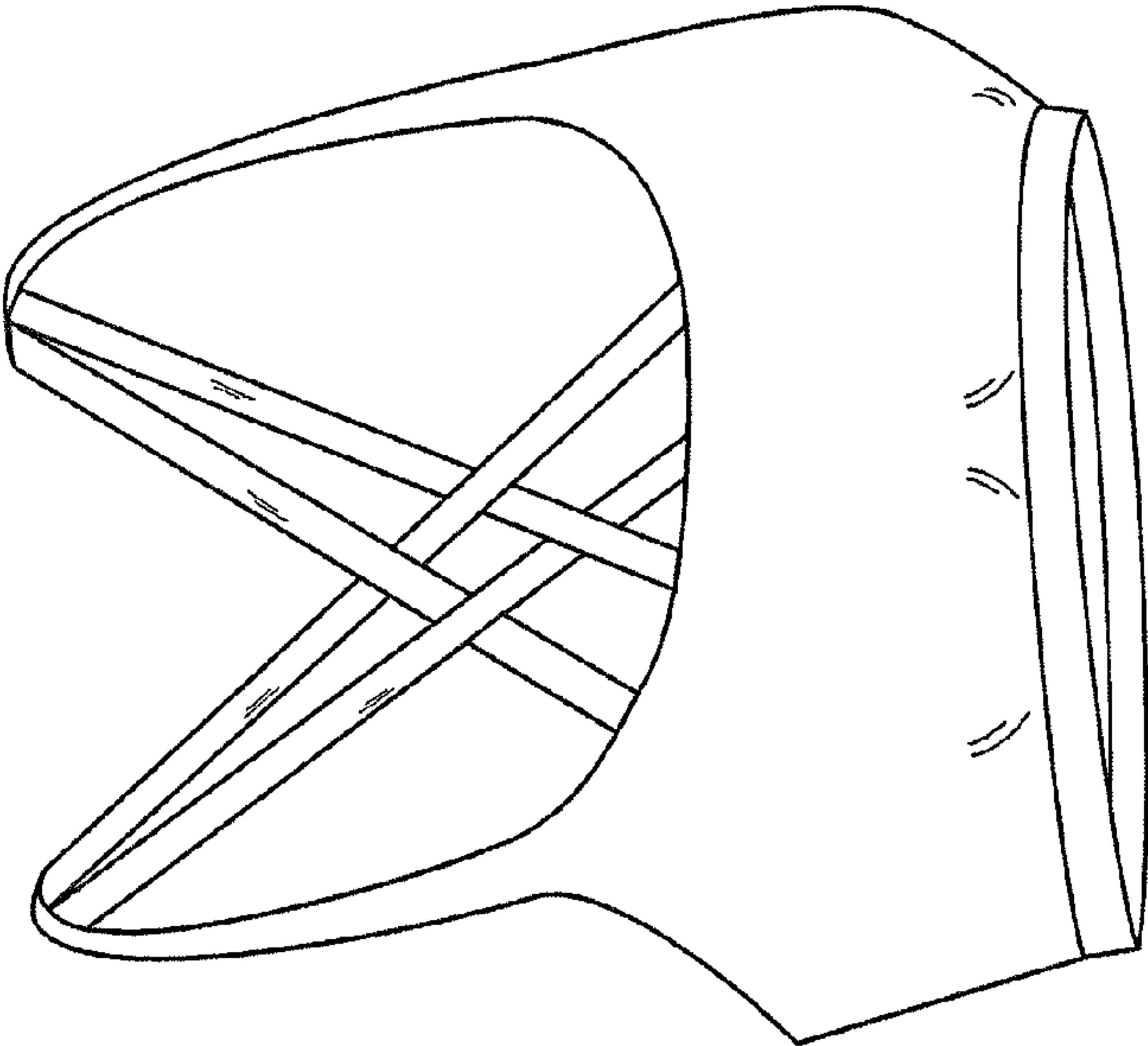


Fig. 6

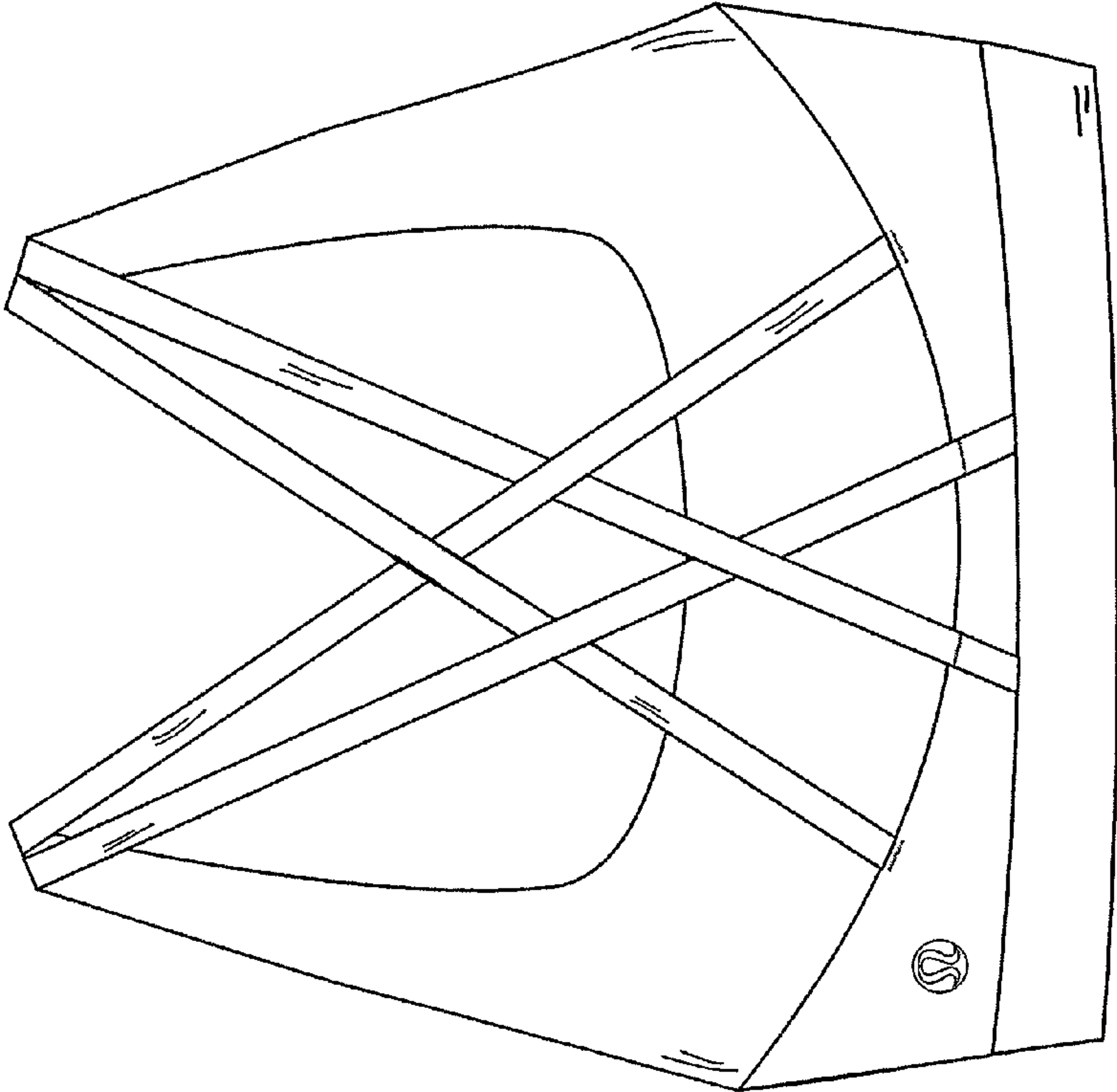


Fig. 7

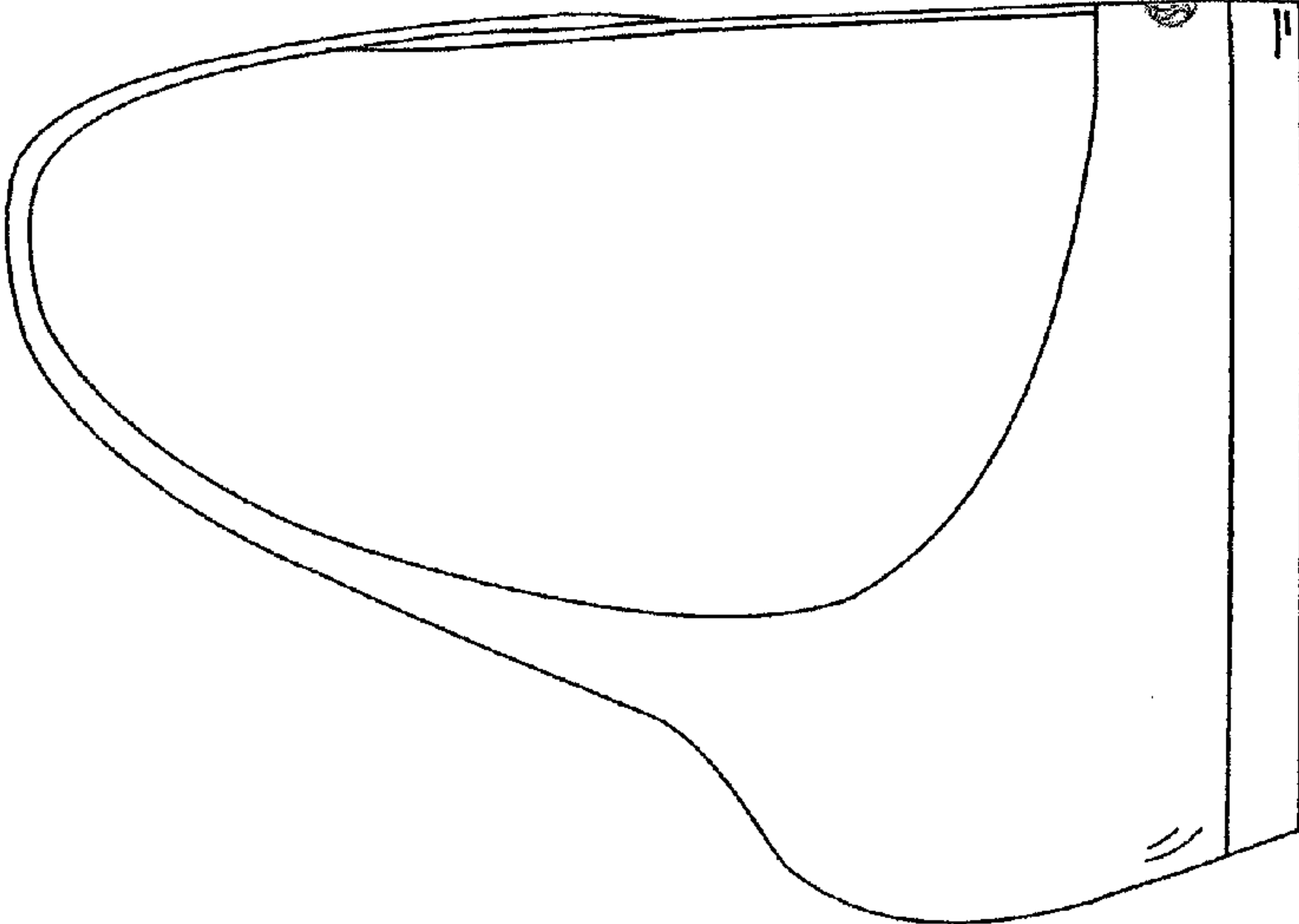


Fig. 8