



US00D709665S

(12) **United States Design Patent**
Martin et al.

(10) **Patent No.:** **US D709,665 S**
(45) **Date of Patent:** **** *Jul. 22, 2014**

- (54) **FIREARM SAFE**
- (71) Applicant: **Ozark Mountain Safe LLC**,
Springfield, MO (US)
- (72) Inventors: **Tyson J. Martin**, Springfield, MO (US);
Jose F. Orellana, Springfield, MO (US);
Jason Floyd, Springfield, MO (US)
- (73) Assignee: **Ozark Mountain Safe LLC**,
Springfield, MO (US)
- (*) Notice: This patent is subject to a terminal disclaimer.
- (**) Term: **14 Years**
- (21) Appl. No.: **29/441,080**
- (22) Filed: **Dec. 31, 2012**
- (51) **LOC (10) Cl.** **99-00**
- (52) **U.S. Cl.**
USPC **D99/28**
- (58) **Field of Classification Search**
USPC D99/28, 34, 35, 36, 43, 99; 109/1 V, 2,
109/45, 1 R; 902/9, 30; 235/100; 206/317,
206/527; 312/400, 409
See application file for complete search history.

- 4,869,449 A 9/1989 Goodman
- 4,926,762 A 5/1990 Paul
- 5,056,342 A 10/1991 Prinz
- D385,673 S 10/1997 Siler et al.
- D386,307 S 11/1997 Naas et al.
- D393,526 S 4/1998 Robey et al.
- D395,746 S 7/1998 Barackman
- D426,059 S 6/2000 Siler et al.
- 6,292,960 B1 9/2001 Bowling

(Continued)

FOREIGN PATENT DOCUMENTS

- CN 2661872 A1 12/2004
- JP 2003145453 A 5/2003

Primary Examiner — Elizabeth J Oswecki
(74) *Attorney, Agent, or Firm* — Polsinelli PC

(57) **CLAIM**

The ornamental design for a firearm safe, as shown and described.

DESCRIPTION

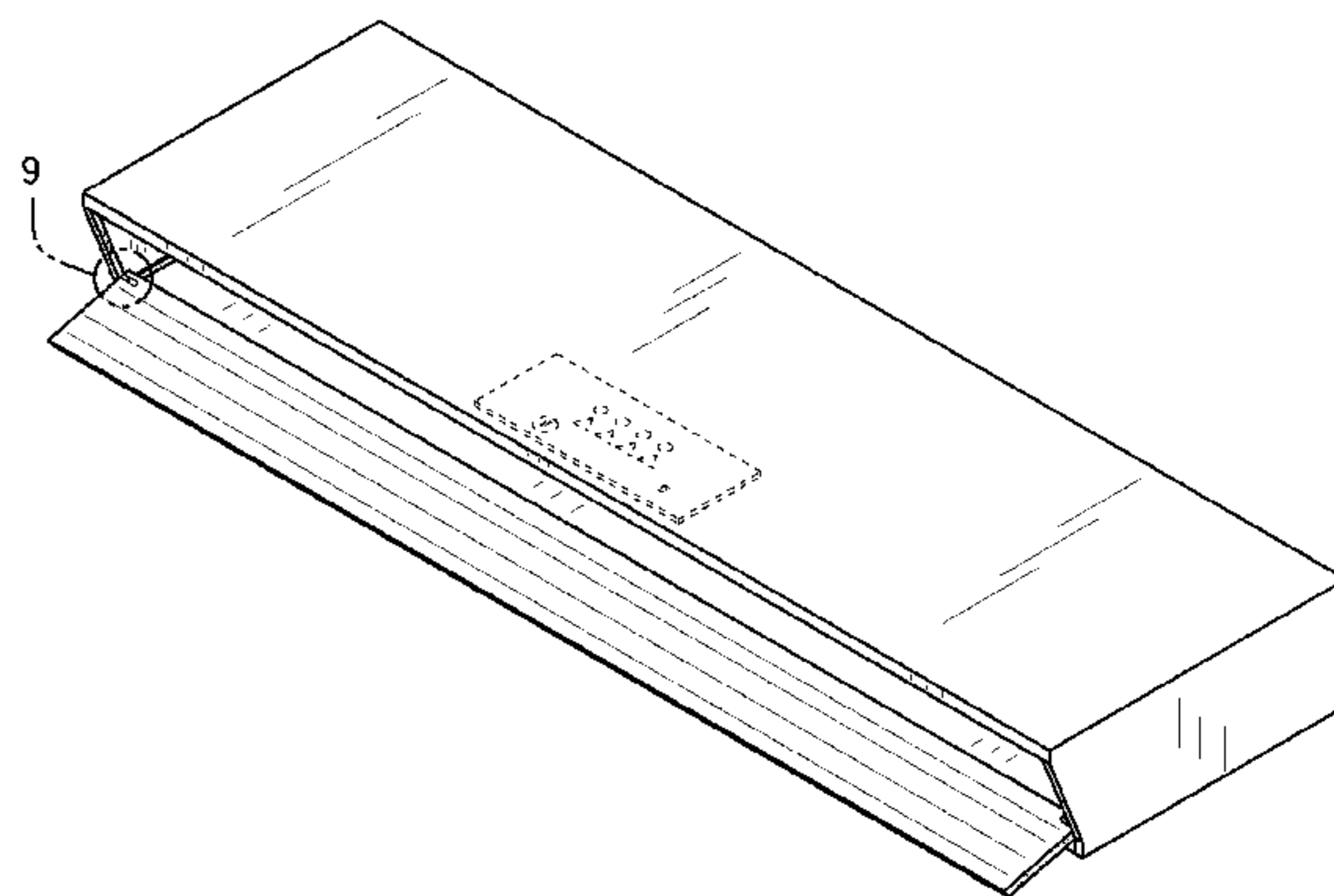
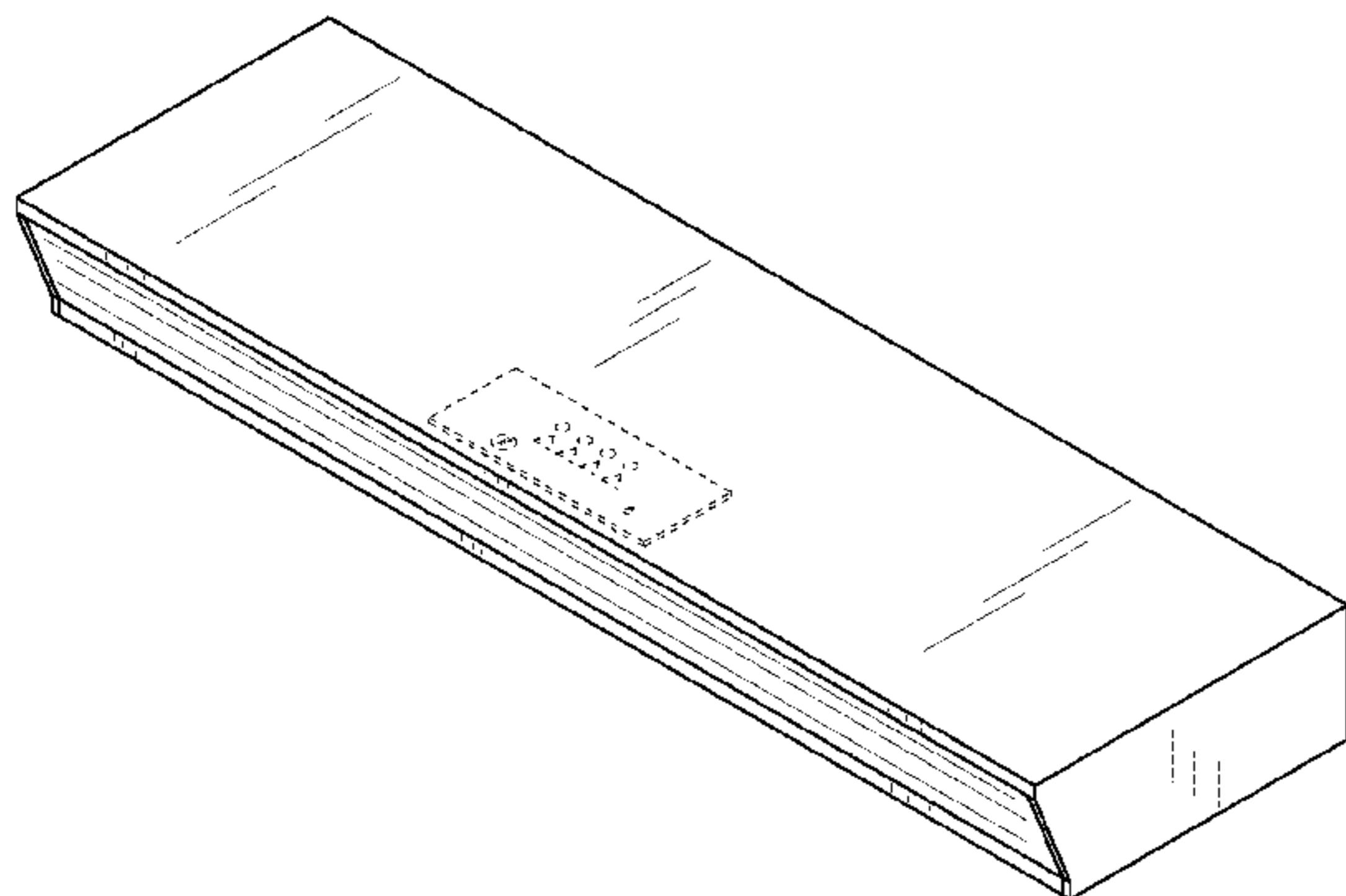
FIG. 1 is a perspective view of the firearm safe showing our new design;
 FIG. 2 is a front view of the firearm safe;
 FIG. 3 is a rear view of the firearm safe;
 FIG. 4 is a first side view of the firearm safe;
 FIG. 5 is a second side view of the firearm safe;
 FIG. 6 is a top view of the firearm safe;
 FIG. 7 is a bottom view of the firearm safe;
 FIG. 8 is a perspective view of the firearm safe with the door in an open position; and,
 FIG. 9 is an enlarged portion view of the hinge of the door of the firearm safe as shown in FIG. 8.
 The broken lines shown in the Figures are included for the purpose of illustrating portions of the firearm safe that form no part of the claimed design.

1 Claim, 3 Drawing Sheets

(56) **References Cited**

U.S. PATENT DOCUMENTS

- 392,682 A 11/1888 McNamara
- 2,544,118 A 3/1951 Went
- 2,755,748 A 7/1956 Abell, Jr.
- 3,156,351 A 11/1964 Small
- 3,731,818 A 5/1973 Young
- 3,988,909 A 11/1976 Catapano
- 4,155,608 A 5/1979 Orlewicz
- 4,348,967 A 9/1982 Schattner et al.
- 4,669,394 A * 6/1987 Fogleman et al. 109/59 T



(56)

References Cited

U.S. PATENT DOCUMENTS

D449,161 S 10/2001 Gillespie et al.
6,405,861 B1 6/2002 Siler et al.
D461,617 S 8/2002 Gardner
6,684,432 B2 2/2004 Owens, Jr.
D528,164 S 9/2006 Orcutt
D541,045 S 4/2007 Peart et al.
D542,529 S 5/2007 Peart et al.
D558,977 S 1/2008 Peart et al.
D561,994 S 2/2008 Peart et al.
D569,072 S 5/2008 Osiecki et al.
D569,073 S 5/2008 Osiecki et al.
D570,074 S 5/2008 Osiecki et al.
D571,524 S 6/2008 Kang et al.

D572,425 S 7/2008 Themistos
D574,124 S * 7/2008 Huber D99/28
D586,975 S 2/2009 Knox
D617,974 S 6/2010 Alfred, Sr.
D624,275 S 9/2010 Min
D635,324 S * 3/2011 Plato D99/28
D651,785 S * 1/2012 Martin et al. D99/28
D667,195 S * 9/2012 Guo D99/28
D671,705 S * 11/2012 Edmondson D99/28
D677,855 S * 3/2013 Eick D99/35
2001/0034202 A1 10/2001 Nottingham et al.
2002/0158095 A1 10/2002 VorKeller et al.
2006/0108252 A1 5/2006 Lax
2007/0277712 A1 * 12/2007 Stepp 109/50
2008/0196637 A1 * 8/2008 Howell et al. 109/38

* cited by examiner

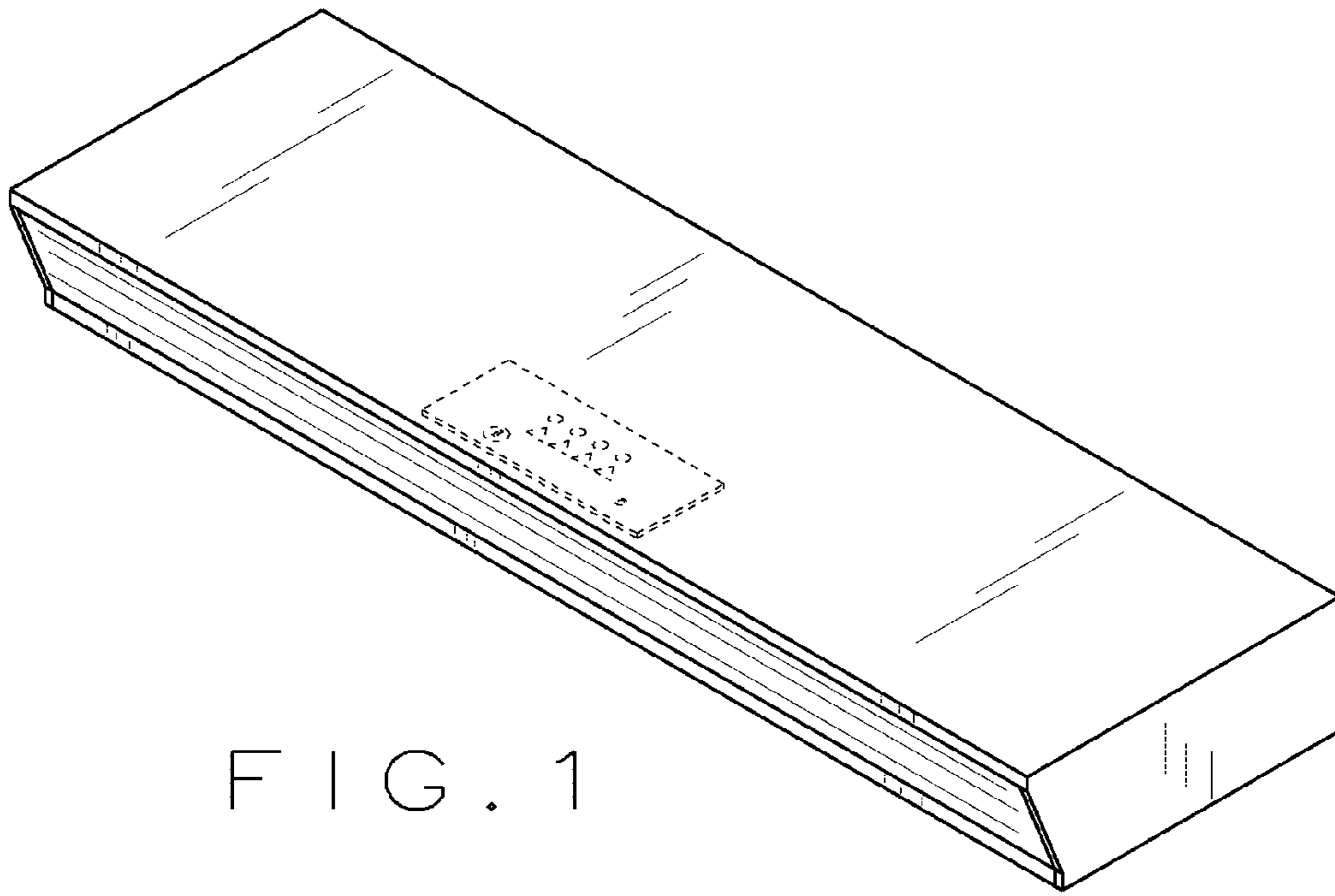


FIG. 1

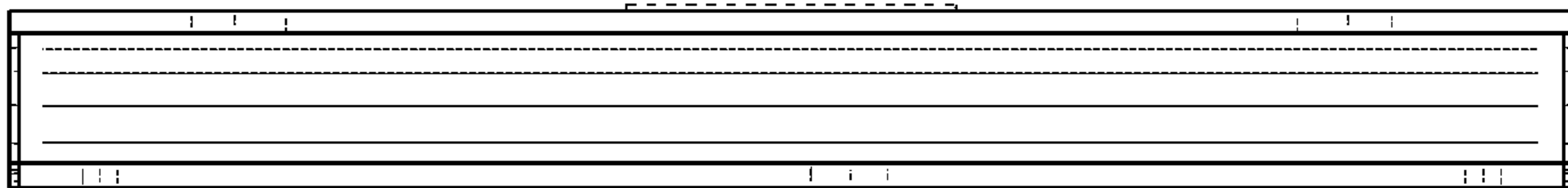


FIG. 2

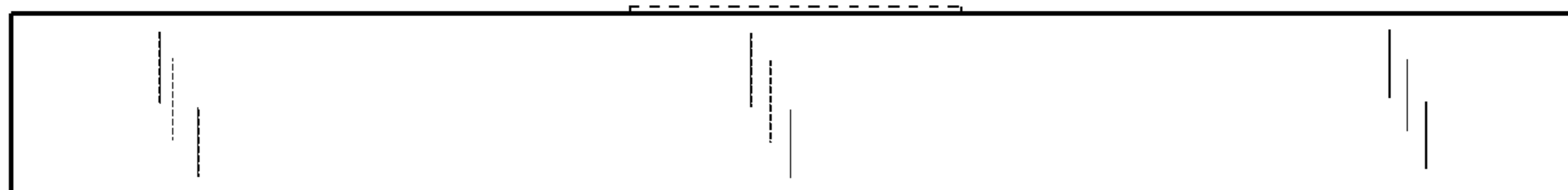


FIG. 3

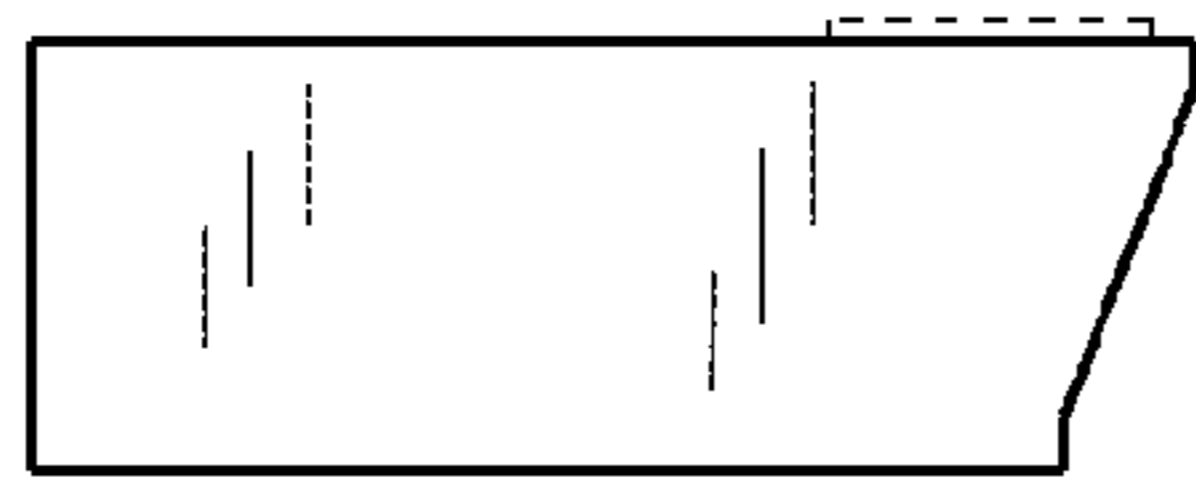


FIG. 4

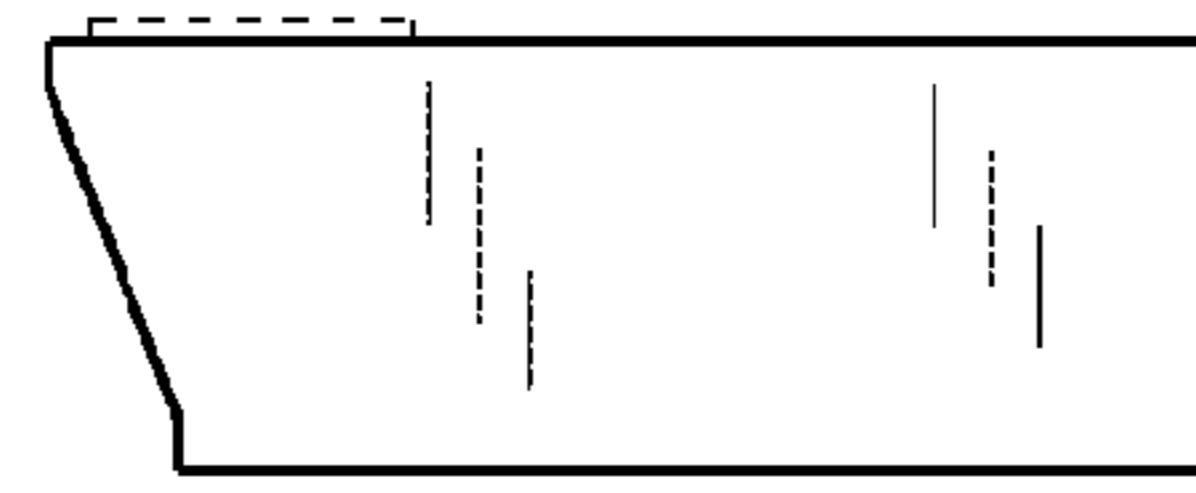


FIG. 5

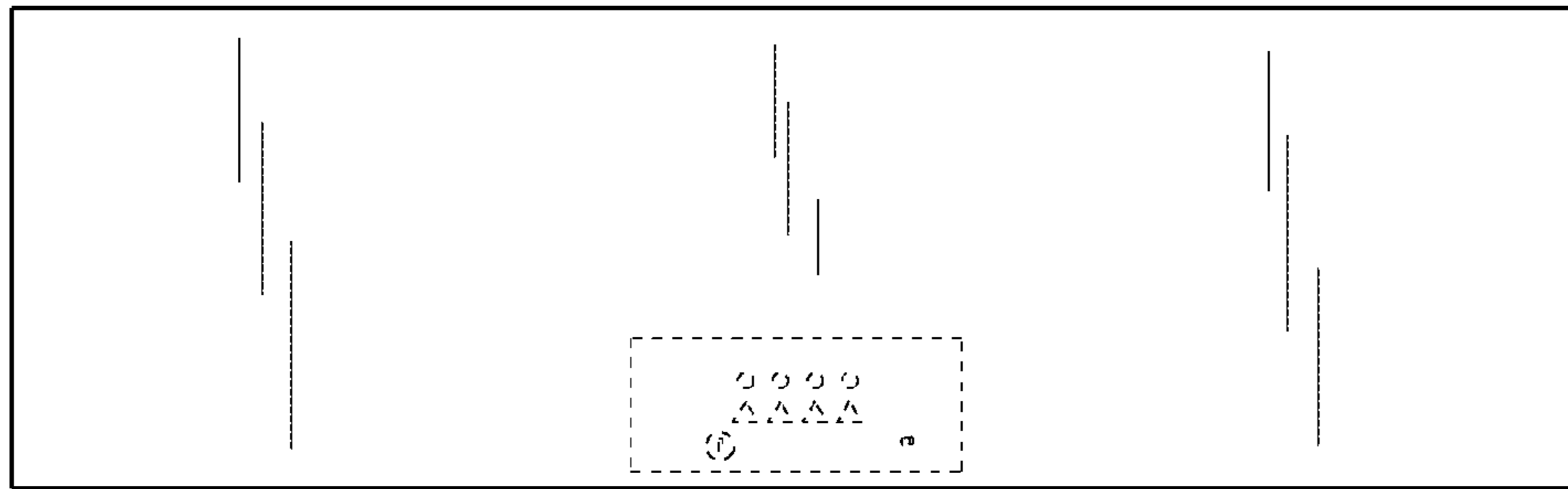


FIG. 6

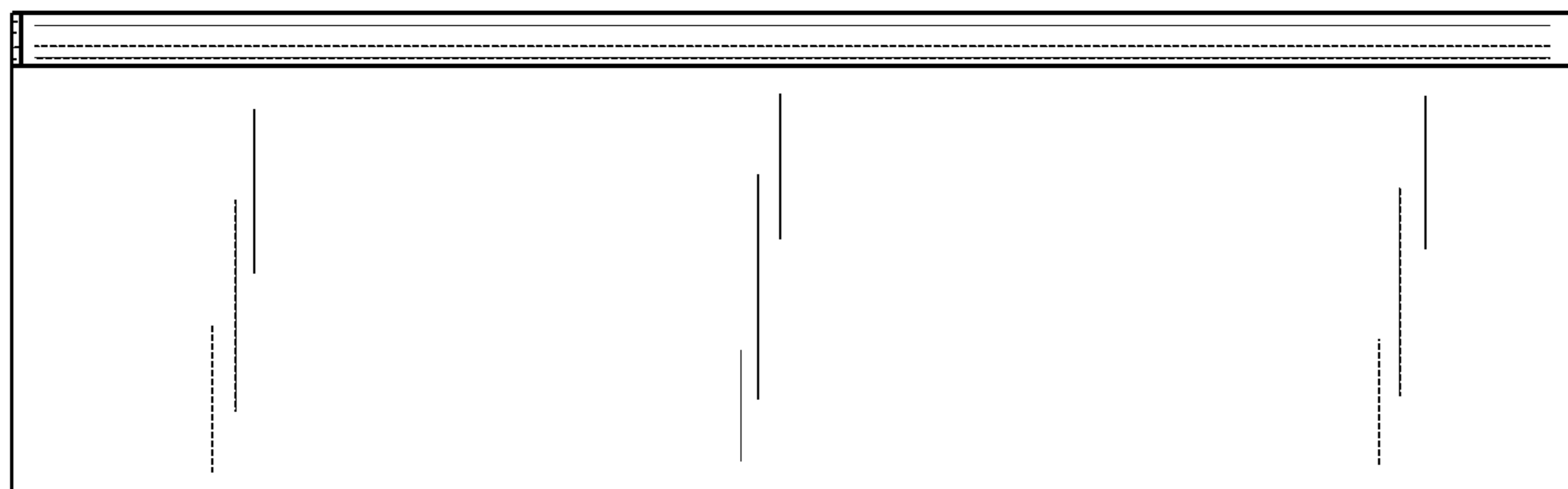


FIG. 7

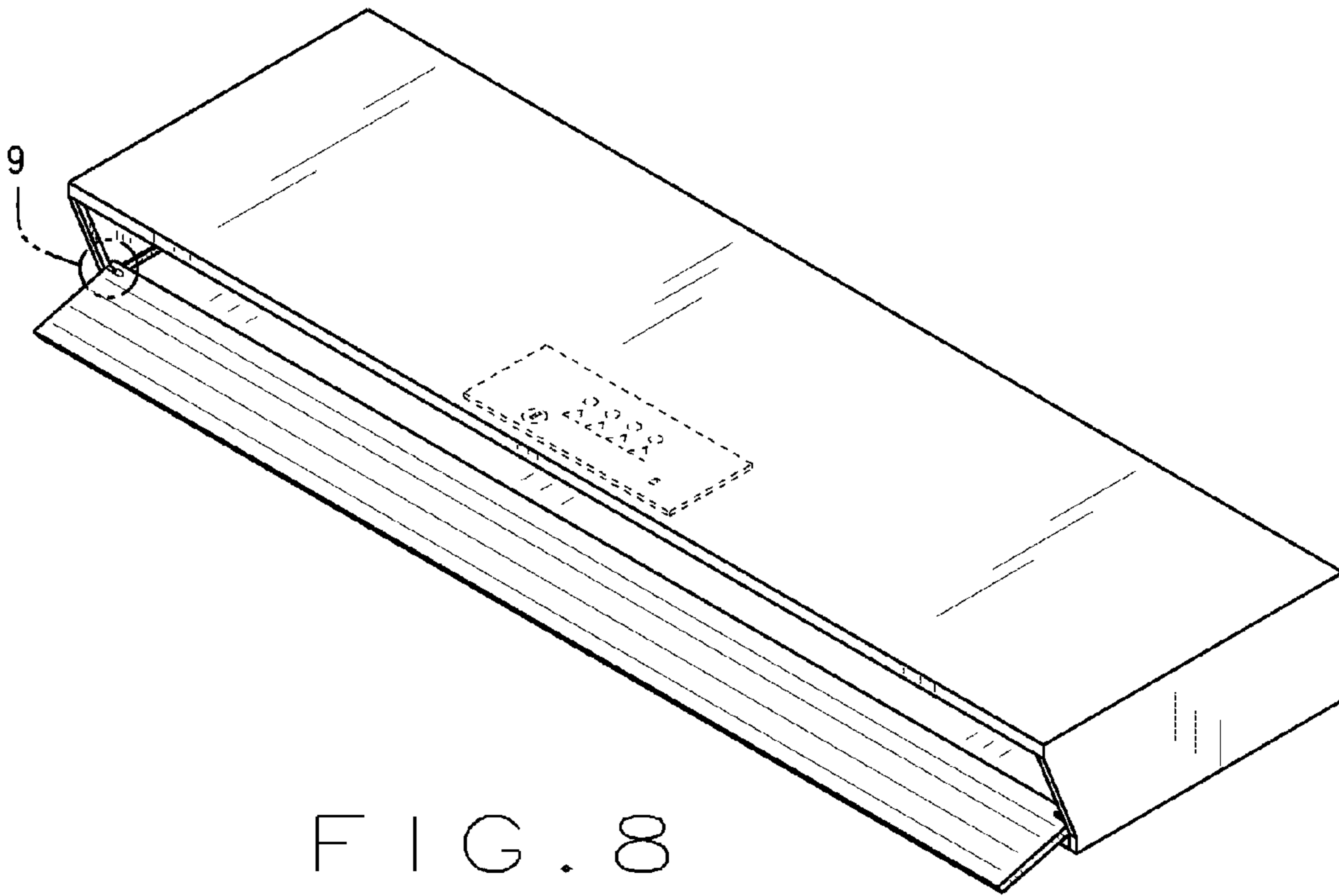


FIG. 8

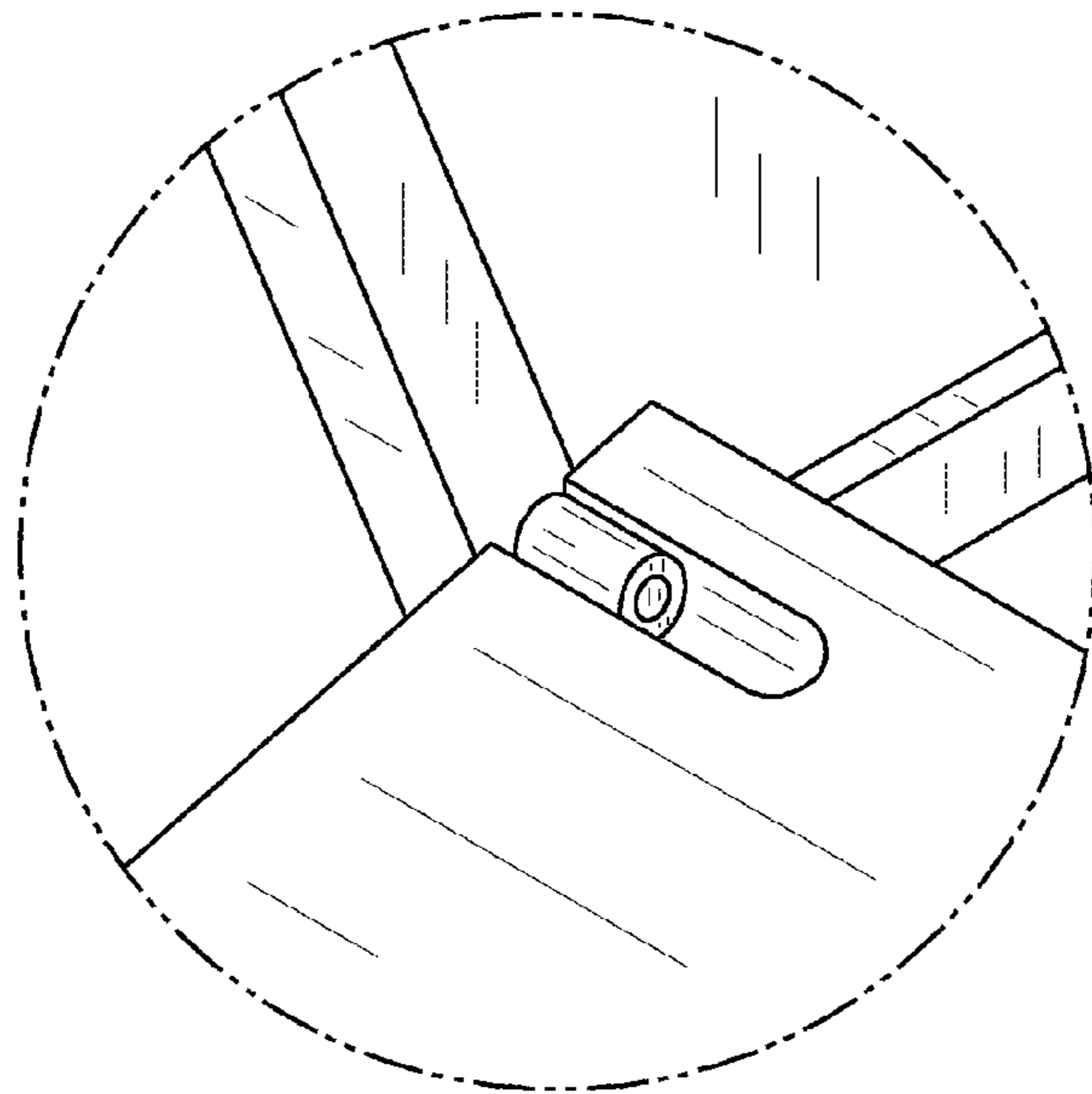


FIG. 9