

US00D709664S

(12) **United States Design Patent**  
**Plummer**

(10) **Patent No.:** **US D709,664 S**  
(45) **Date of Patent:** **\*\* Jul. 22, 2014**

- (54) **HAND TRUCK**
- (71) Applicant: **ABL X-Press Ltd.**, Edmonton (CA)
- (72) Inventor: **Allan Plummer**, Edmonton (CA)
- (73) Assignee: **ABL X-Press Ltd.**, Edmonton (CA)
- (\*\*) Term: **14 Years**
- (21) Appl. No.: **29/448,123**
- (22) Filed: **Mar. 9, 2013**
- (51) **LOC (10) Cl.** ..... **12-02**
- (52) **U.S. Cl.**  
USPC ..... **D34/26**
- (58) **Field of Classification Search**  
USPC ..... D34/12-27; 280/47.18, 47.19, 47.2,  
280/47.28, 79.1, 79.2, 79.3, 47.26  
See application file for complete search history.

- 5,947,491 A 9/1999 Meier
- 6,341,788 B1 1/2002 Ciccone
- 6,364,328 B1 4/2002 Stahler, Sr.
- 7,083,174 B2 8/2006 Kane
- D667,194 S \* 9/2012 Ryan et al. .... D34/26
- D699,015 S \* 2/2014 McCall et al. .... D34/12
- 2004/0108671 A1 \* 6/2004 Forsberg et al. .... 280/79.3

\* cited by examiner

*Primary Examiner* — Cynthia Ramirez

(74) *Attorney, Agent, or Firm* — Christensen O'Connor Johnson Kindness PLLC

(57) **CLAIM**

The ornamental design for a hand truck, as shown and described.

**DESCRIPTION**

FIG. 1 is a front right perspective view of a hand truck showing my new design, wherein the hand truck is shown in a first operative position.

FIG. 2 is a front right perspective view of the hand truck shown in FIG. 1 in a second operative position.

FIG. 3 is a front right perspective view of the hand truck shown in FIG. 1 in a third operative position.

FIG. 4 is a front right perspective view of the hand truck shown in FIG. 1 in a fourth operative position.

FIG. 5 is a rear left perspective view of the hand truck shown in FIG. 1 in a stored position.

FIG. 6 is a front right perspective view of the hand truck shown in FIG. 1 in use as a four wheeled hand truck; and,

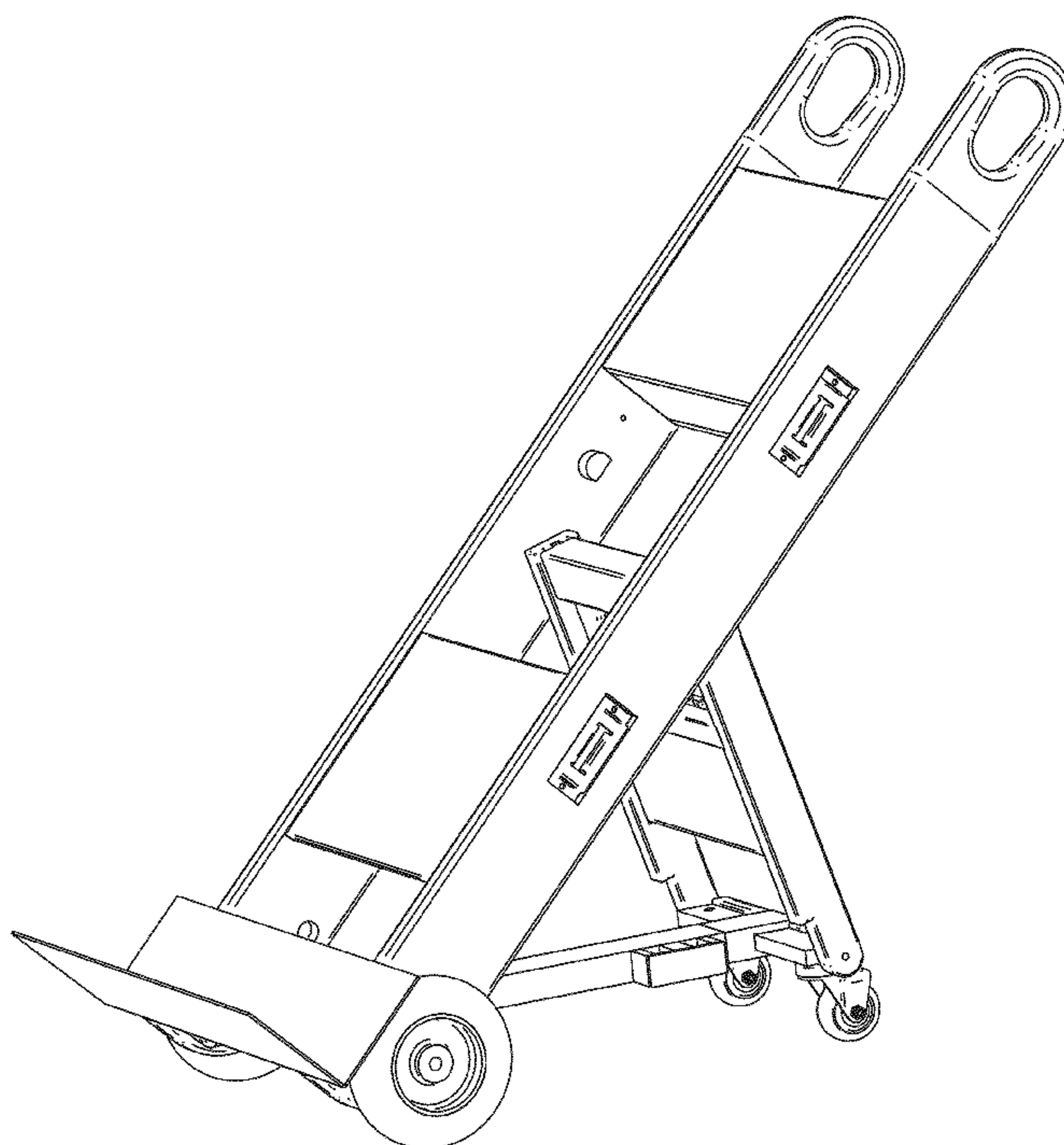
FIG. 7 is an enlarged top right perspective view of the hand truck shown in FIG. 1 in a stored position.

**1 Claim, 6 Drawing Sheets**

(56) **References Cited**

U.S. PATENT DOCUMENTS

|           |     |         |              |                |
|-----------|-----|---------|--------------|----------------|
| 2,361,674 | A   | 10/1944 | Zeindler     |                |
| 2,606,770 | A   | 8/1952  | Reichert     |                |
| D190,853  | S * | 7/1961  | Neville      | ..... D34/26   |
| D219,810  | S * | 2/1971  | Mitchell     | ..... D34/24   |
| D273,522  | S * | 4/1984  | Zastera      | ..... D34/17   |
| 4,630,837 | A   | 12/1986 | Kazmark      |                |
| 5,048,206 | A * | 9/1991  | Jones        | ..... 37/265   |
| D330,275  | S * | 10/1992 | West         | ..... D34/15   |
| 5,160,153 | A * | 11/1992 | Zan          | ..... 280/43.1 |
| 5,207,439 | A   | 5/1993  | Mortenson    |                |
| D344,833  | S * | 3/1994  | Apter et al. | ..... D34/26   |
| 5,295,556 | A * | 3/1994  | Mullin       | ..... 182/187  |
| D364,022  | S * | 11/1995 | Kazmark, Jr. | ..... D34/26   |



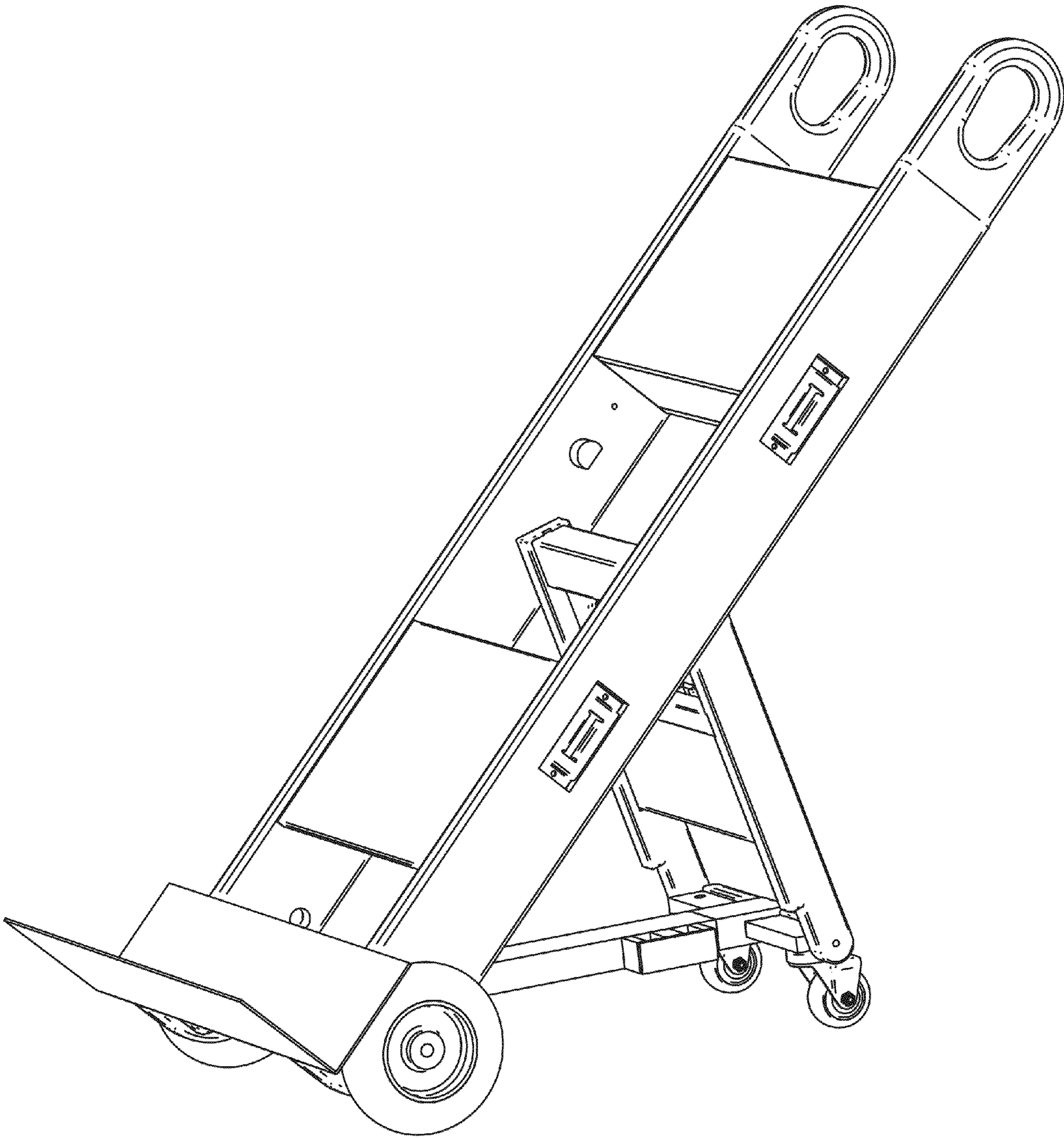


FIG.1

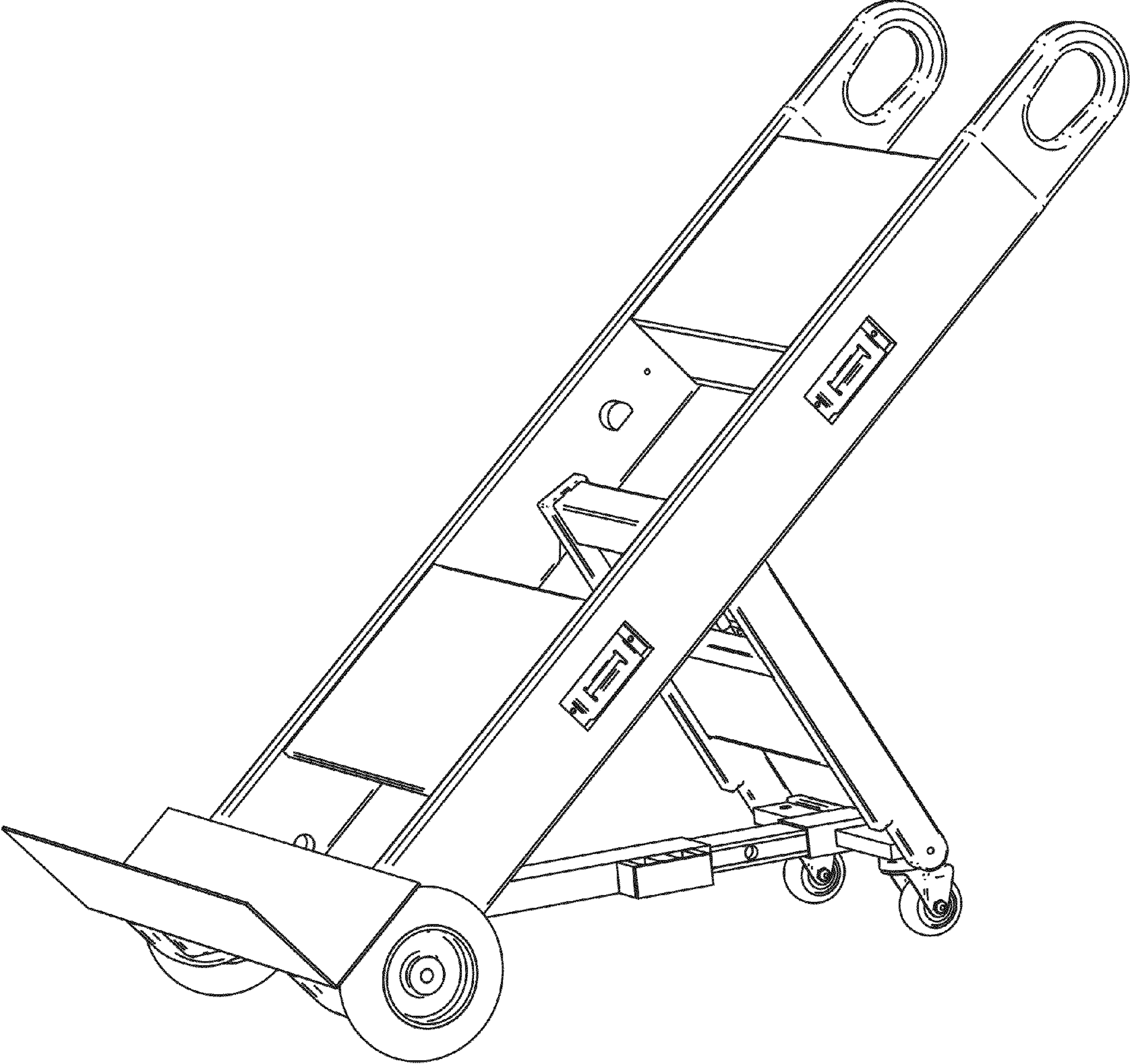


FIG.2



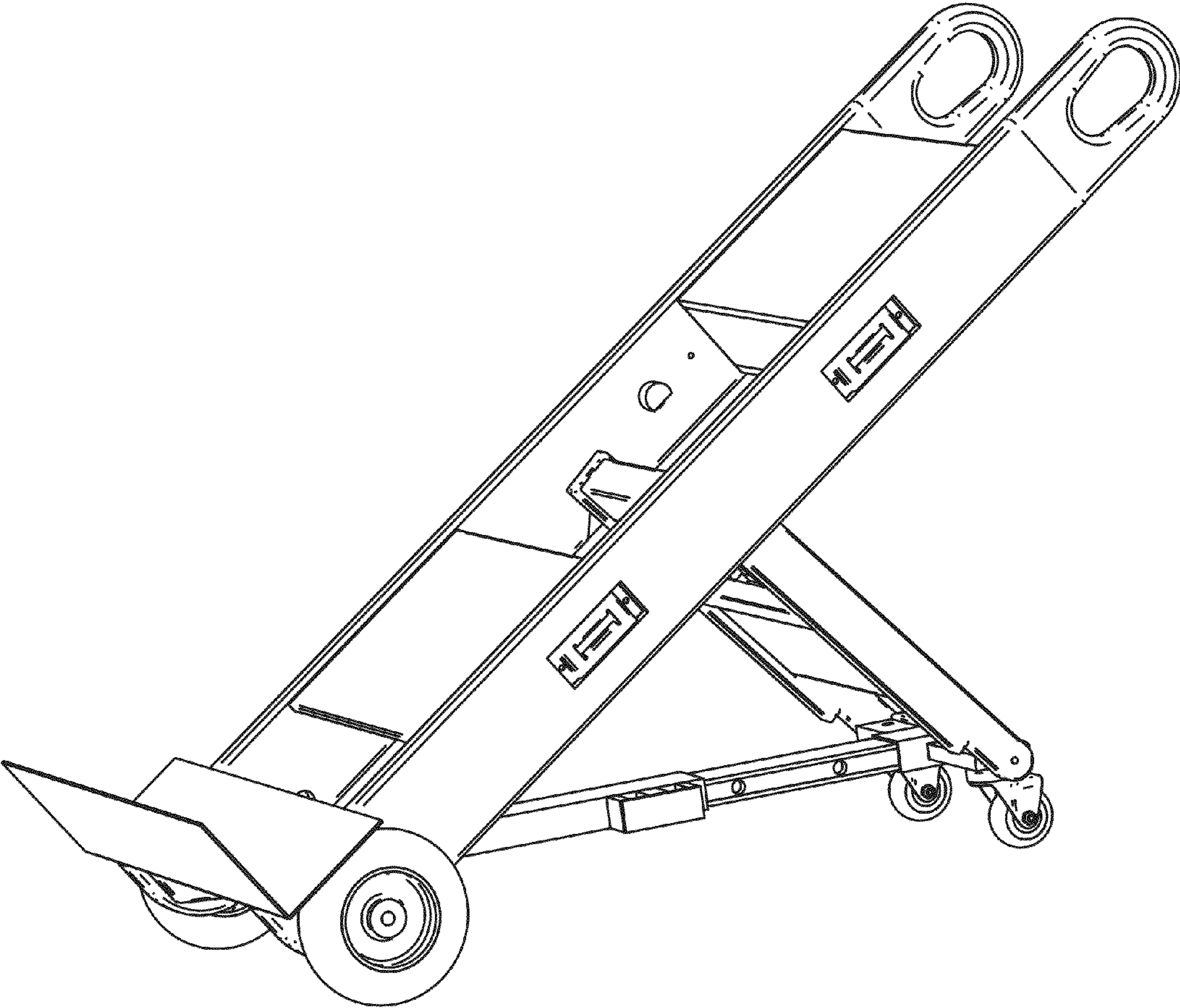


FIG.3

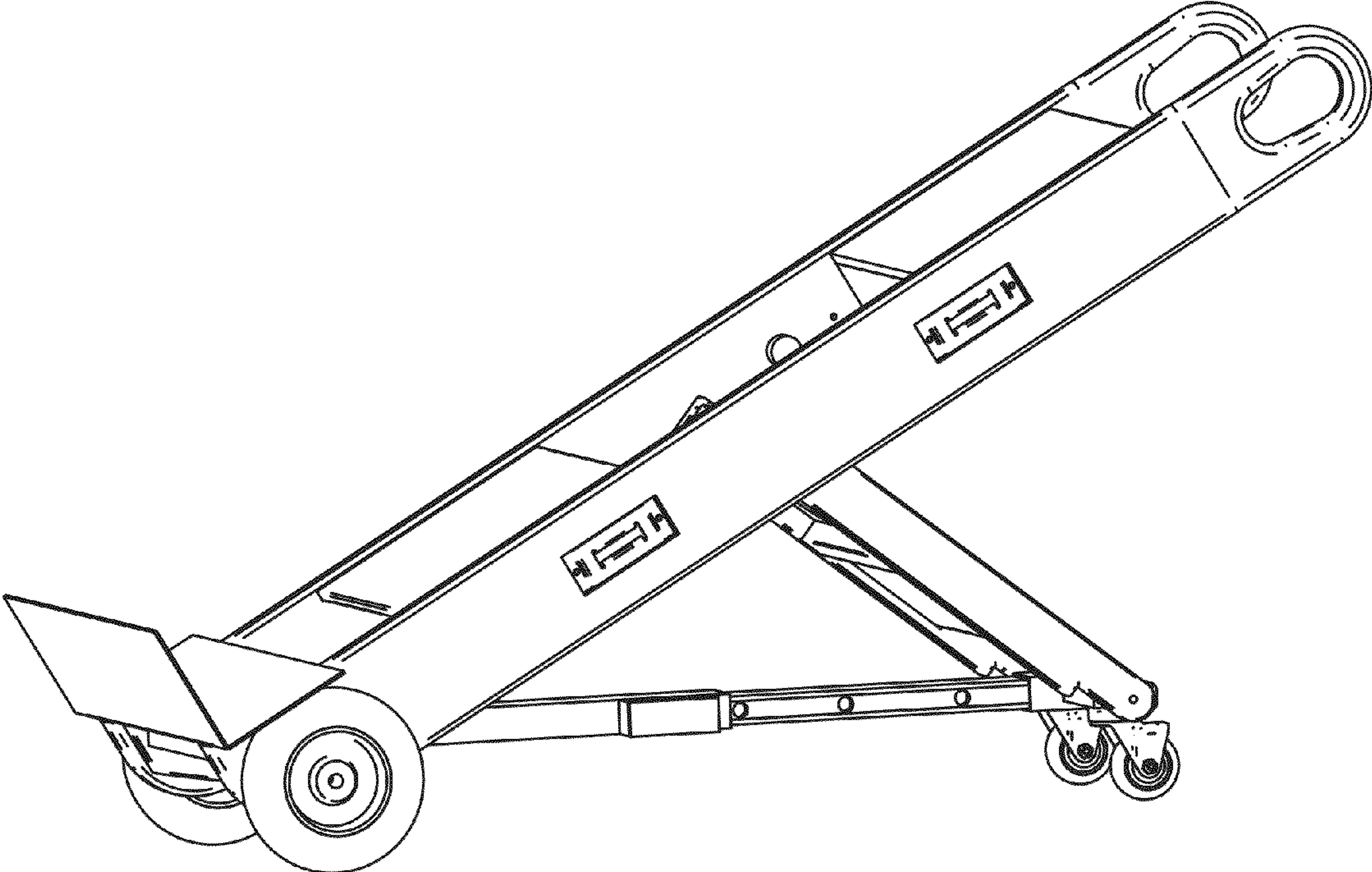


FIG.4

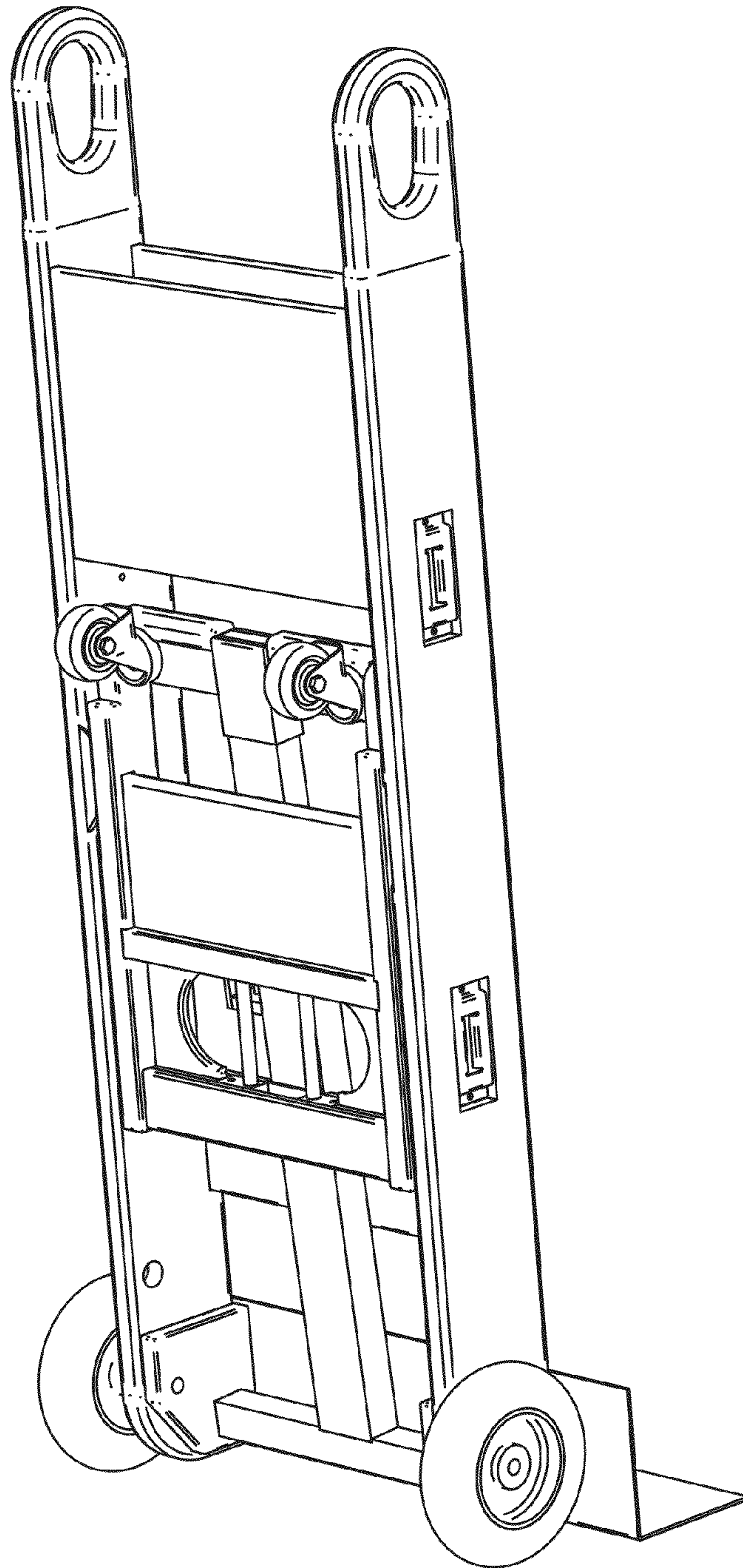


FIG.5

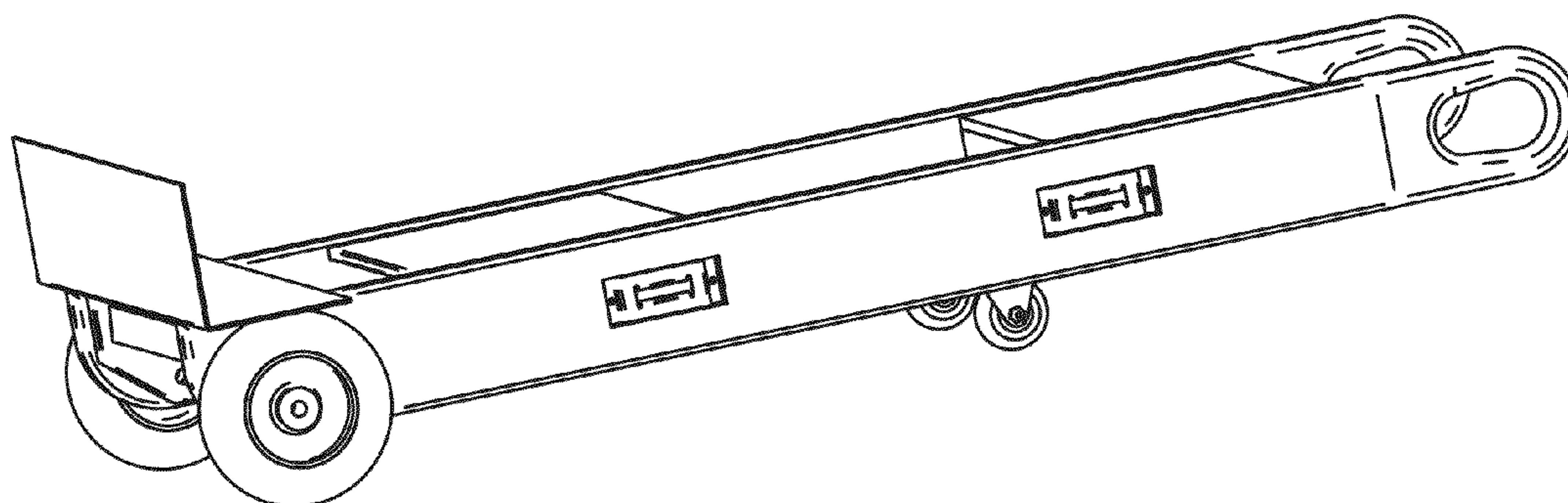


FIG. 6

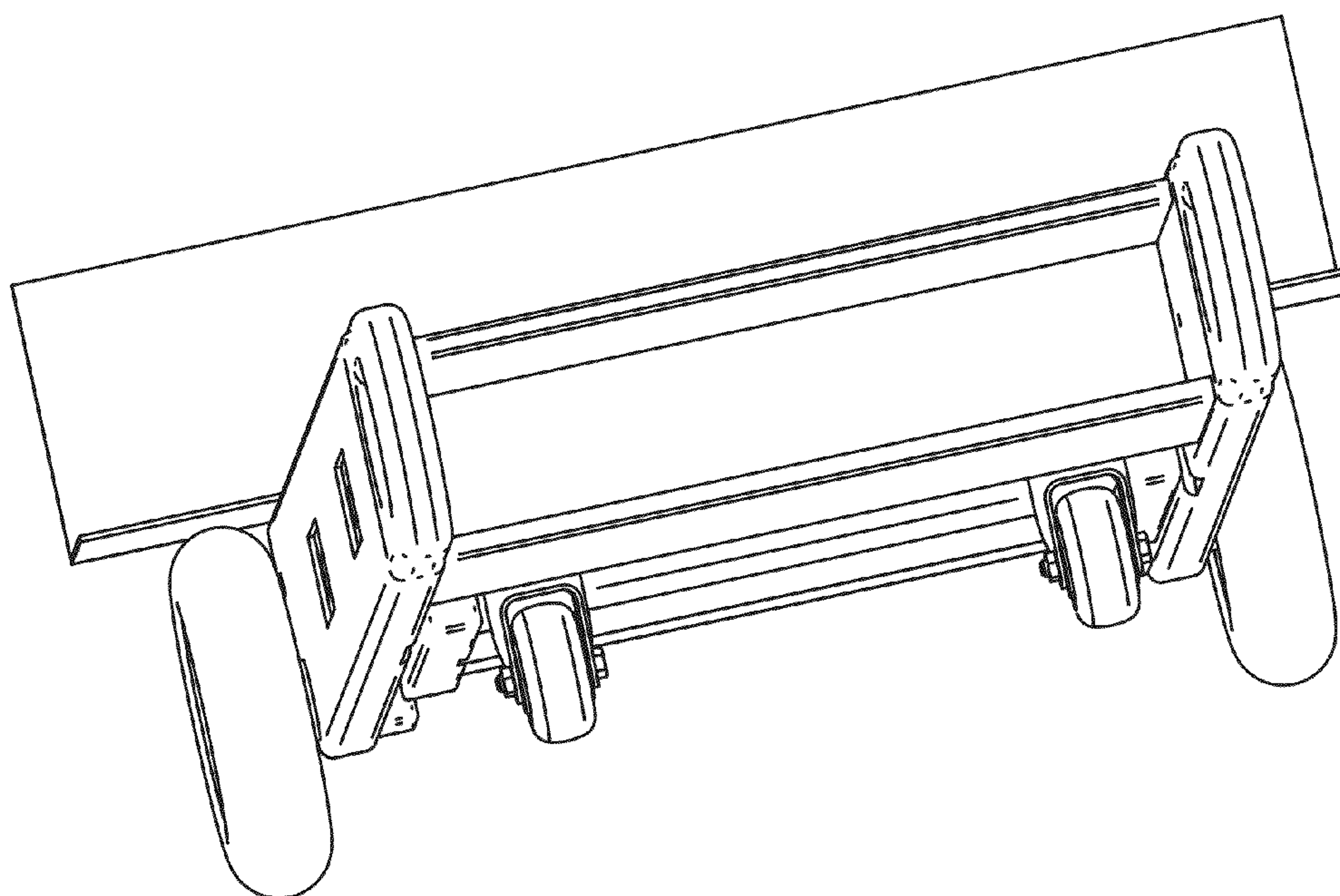


FIG. 7