



US00D709663S

(12) **United States Design Patent**  
**Welker et al.**

(10) **Patent No.:** **US D709,663 S**

(45) **Date of Patent:** **\*\* Jul. 22, 2014**

(54) **FOLDABLE TROLLEY**

(56) **References Cited**

(71) Applicants: **Mark Welker**, Singapore (SG); **Michael Pinnington**, Wimborne (GB); **Ben Davies**, Lyndhurst (GB); **Mark Holloway**, Lyndhurst (GB); **Adam Eager**, Lyndhurst (GB); **Simon Levi**, Lyndhurst (GB)

U.S. PATENT DOCUMENTS

D657,522 S	*	4/2012	Liao	.....	D34/15
D657,524 S	*	4/2012	Liao	.....	D34/15
D664,732 S	*	7/2012	Liao	.....	D34/15

\* cited by examiner

(72) Inventors: **Mark Welker**, Singapore (SG); **Michael Pinnington**, Wimborne (GB); **Ben Davies**, Lyndhurst (GB); **Mark Holloway**, Lyndhurst (GB); **Adam Eager**, Lyndhurst (GB); **Simon Levi**, Lyndhurst (GB)

*Primary Examiner* — Cynthia Ramirez

(74) *Attorney, Agent, or Firm* — Howard & Howard Attorneys PLLC

(73) Assignee: **Seawest Technologies Pte Ltd**, The Claymore (SG)

(57) **CLAIM**

The ornamental design for a foldable trolley, as shown and described.

(\*\*) Term: **14 Years**

**DESCRIPTION**

(21) Appl. No.: **29/451,891**

(22) Filed: **Apr. 10, 2013**

(51) **LOC (10) Cl.** ..... **12-13**

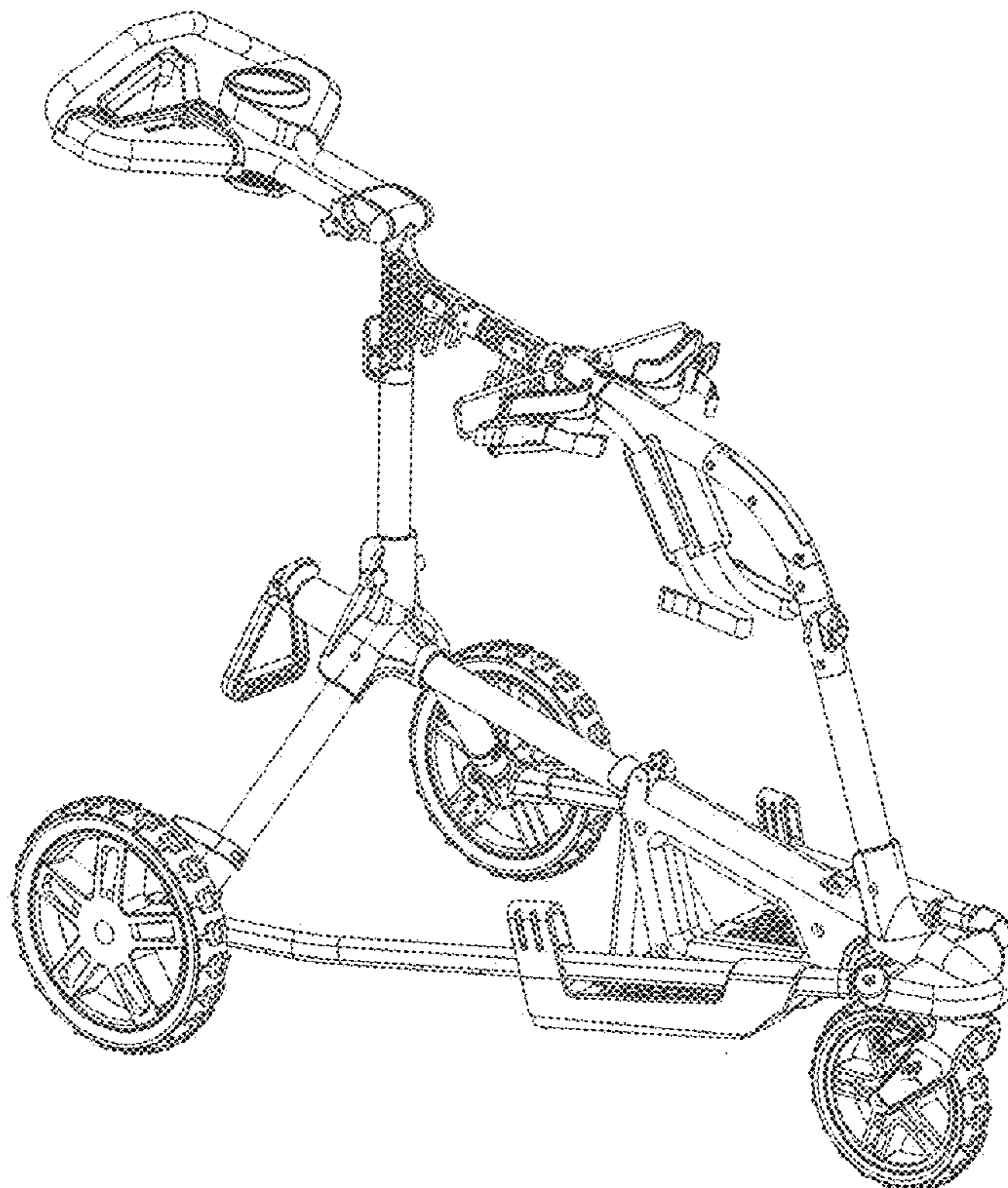
(52) **U.S. Cl.**  
USPC ..... **D34/15**

(58) **Field of Classification Search**  
USPC ..... D34/12-27; 280/62, DIG. 6, DIG. 5, 280/641, 642, 654, 651, 646, 47.24, 47.26, 280/39, 40, 33.991, 33.992, 33.993

FIG. 1 is a perspective view of a foldable trolley showing our new design;  
FIG. 2 is a front elevational view thereof;  
FIG. 3 is a right side elevational view thereof;  
FIG. 4 is a top plan view thereof;  
FIG. 5 is a right side elevational view of the trolley in a partially collapsed condition;  
FIG. 6 is a right side elevational view of the trolley in a fully collapsed condition; and,  
FIG. 7 is a front elevational view of the trolley in the fully collapsed condition.

See application file for complete search history.

**1 Claim, 7 Drawing Sheets**



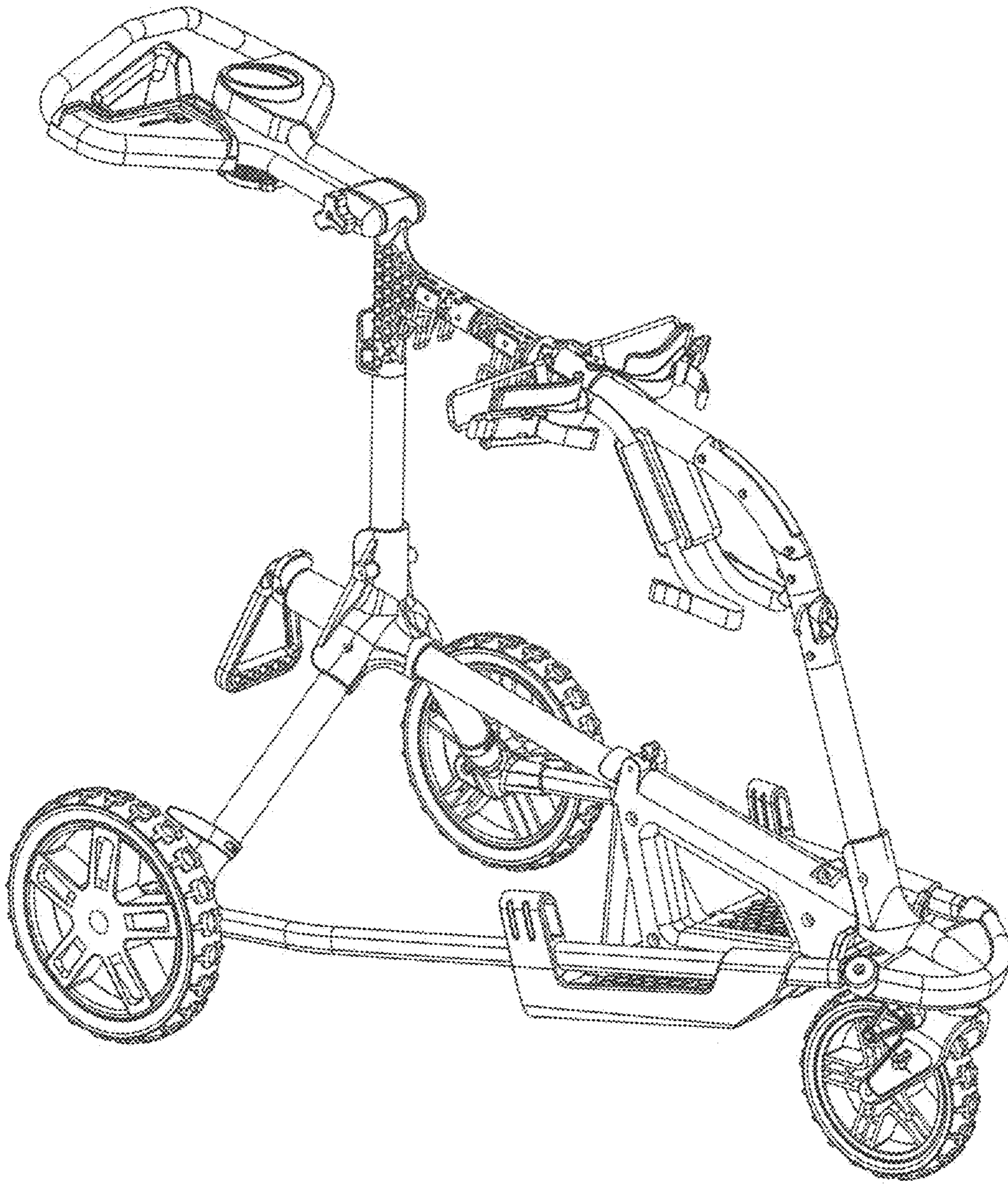


Figure 1

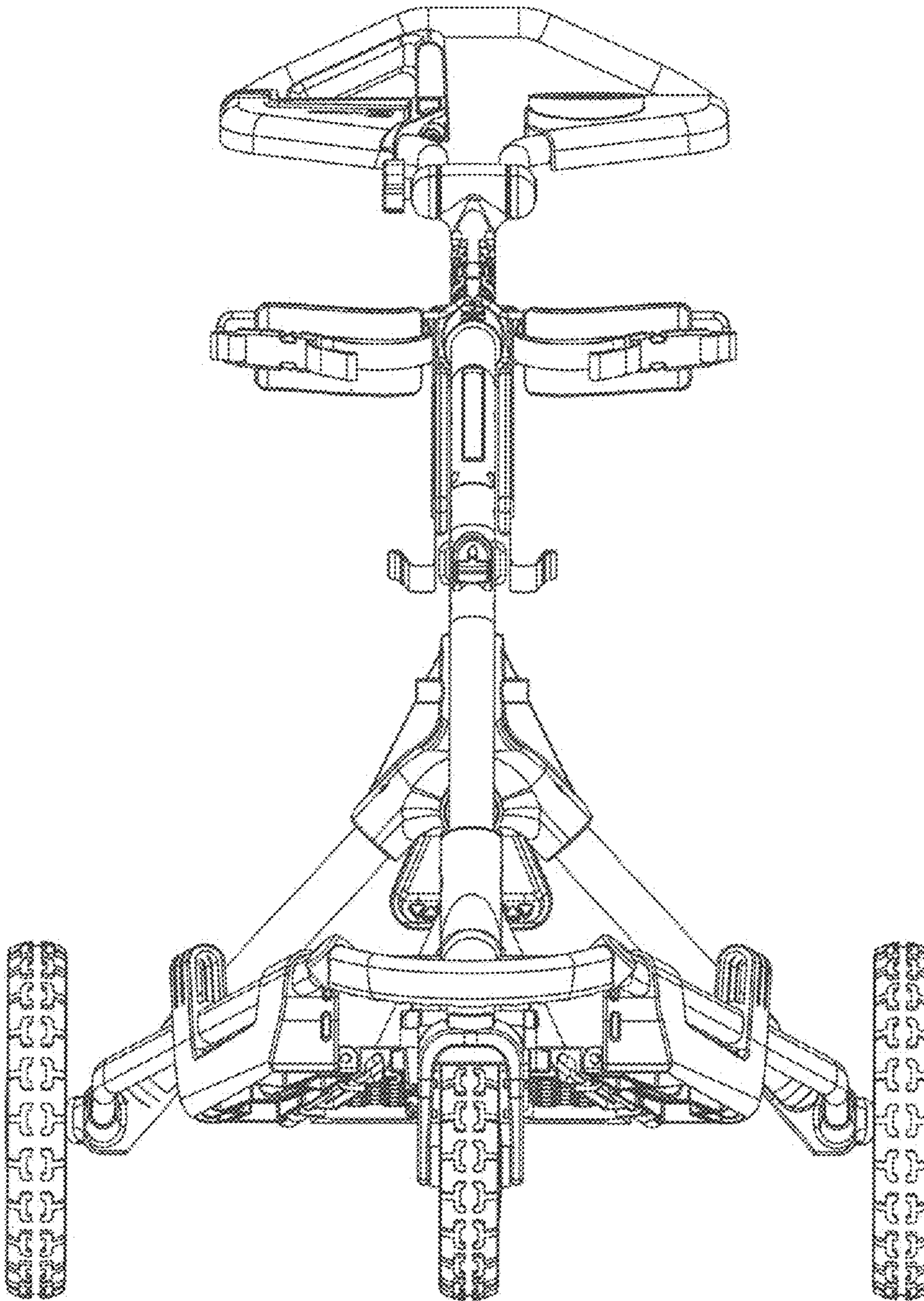


Figure 2

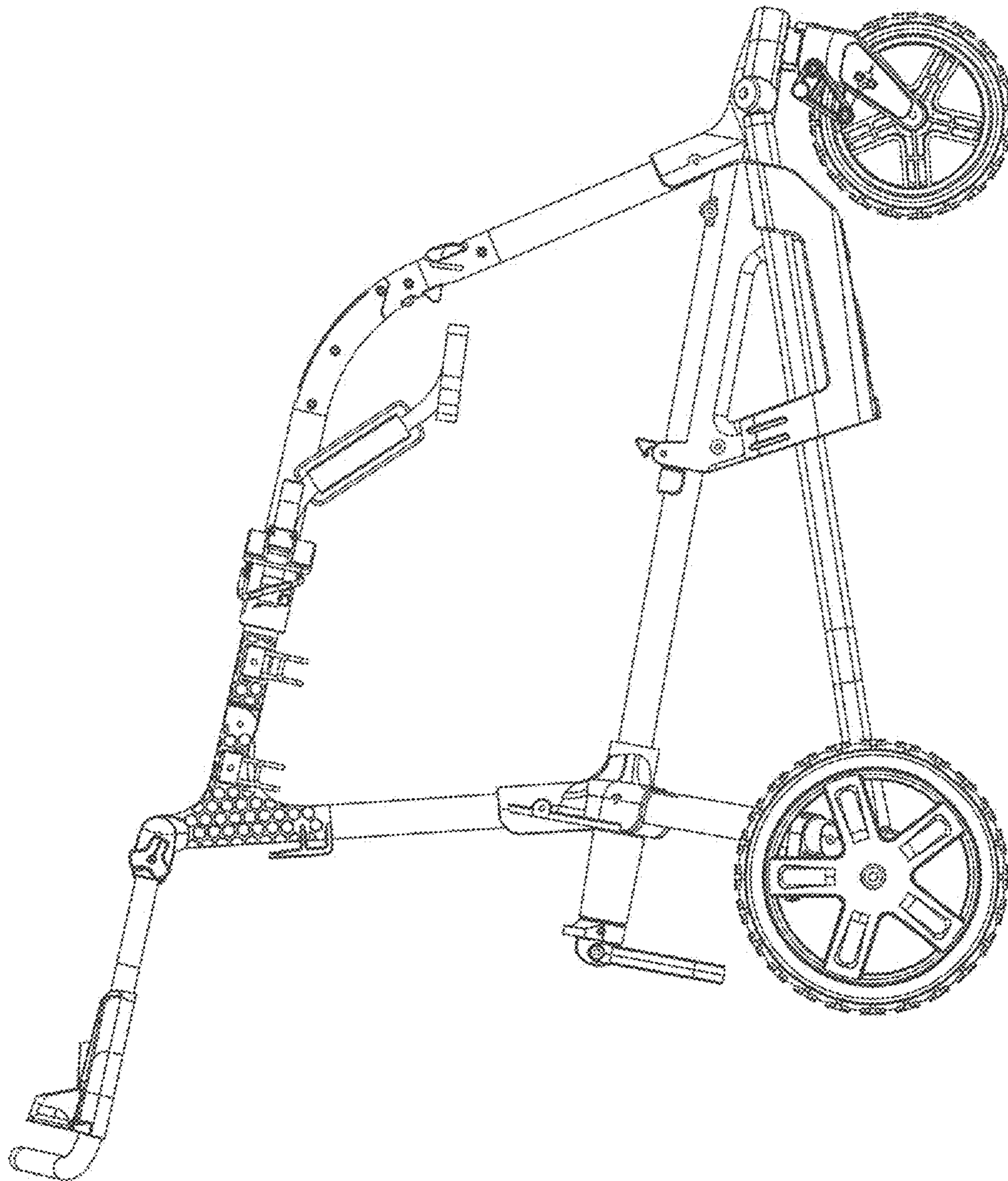


Figure 3

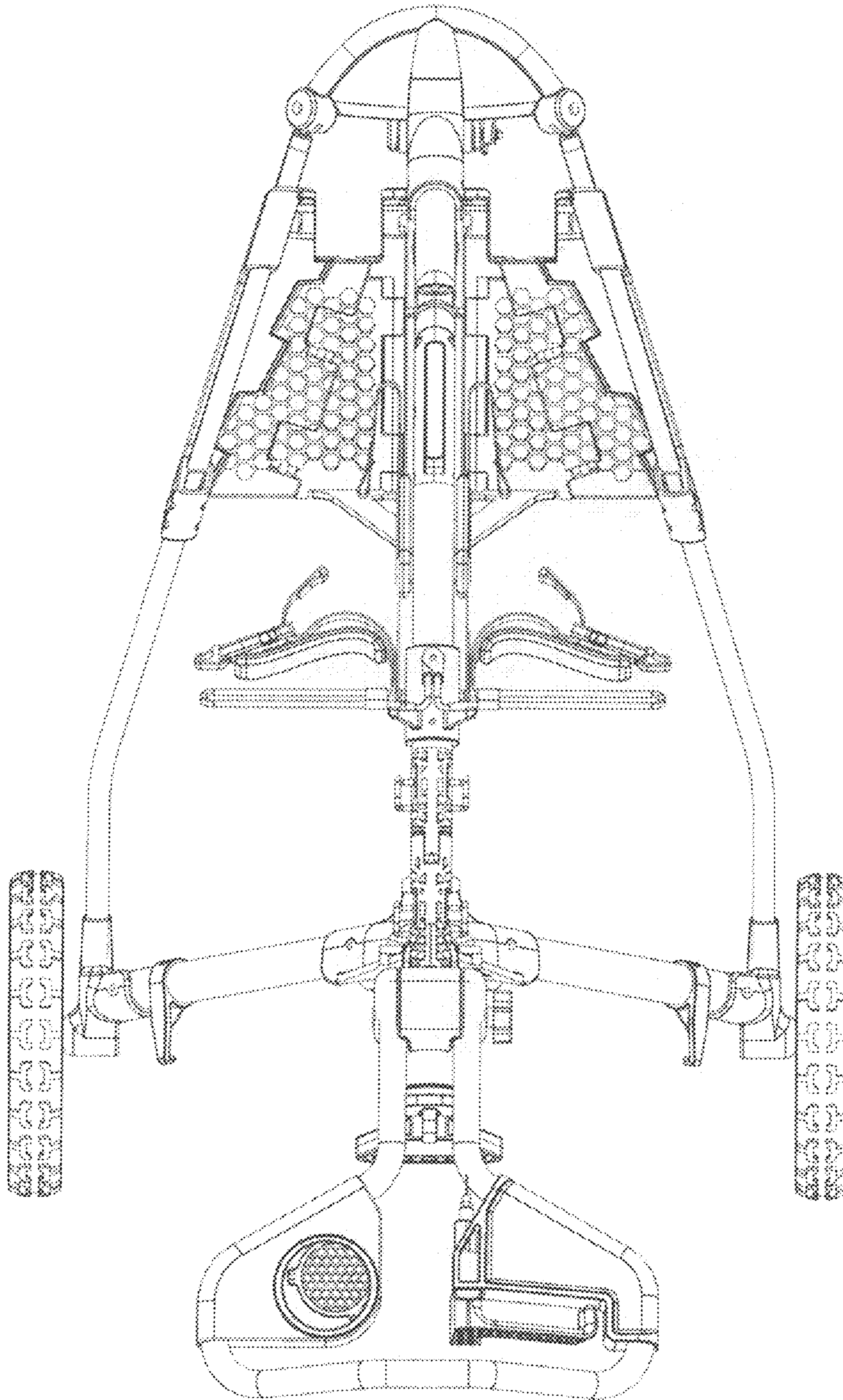


Figure 4

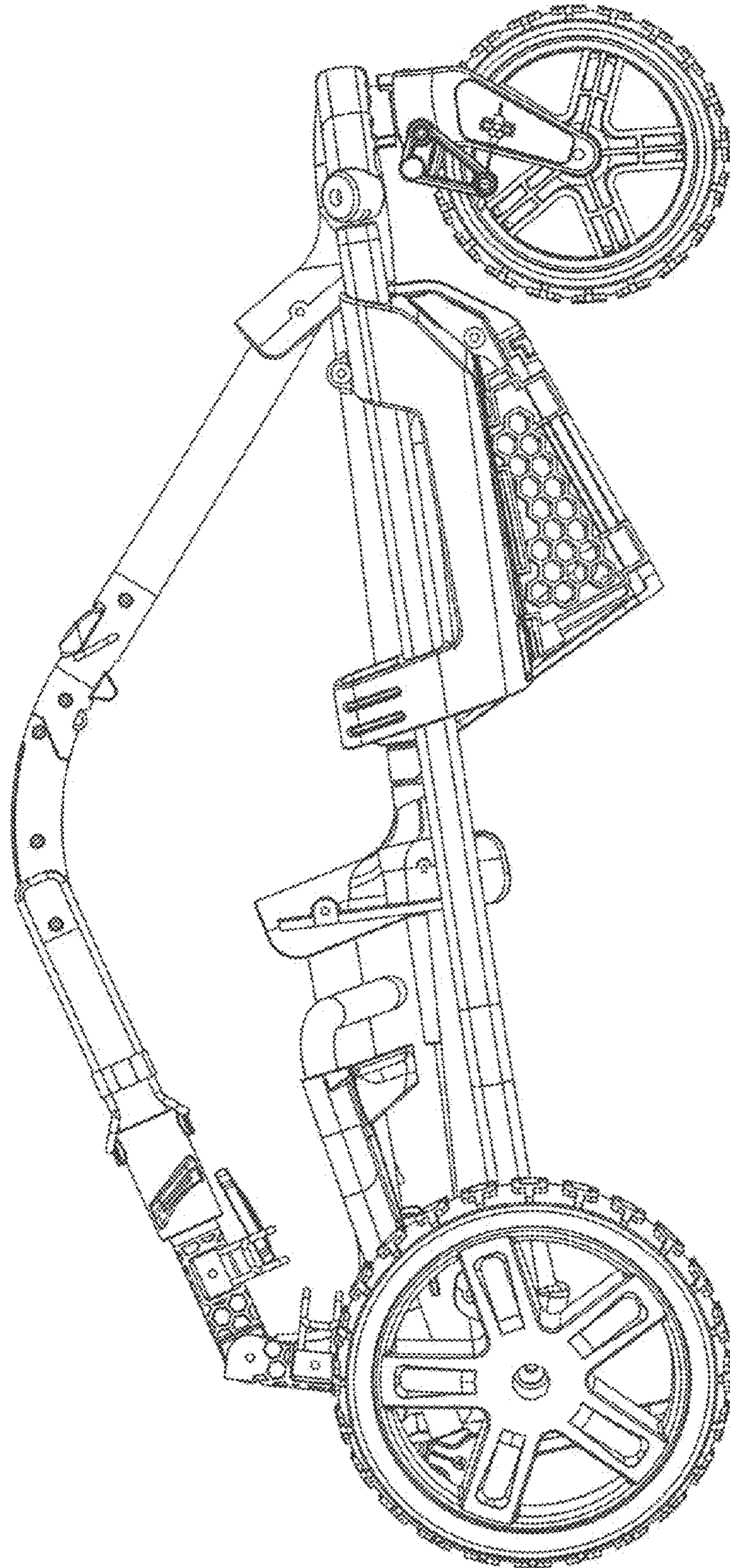


Figure 5

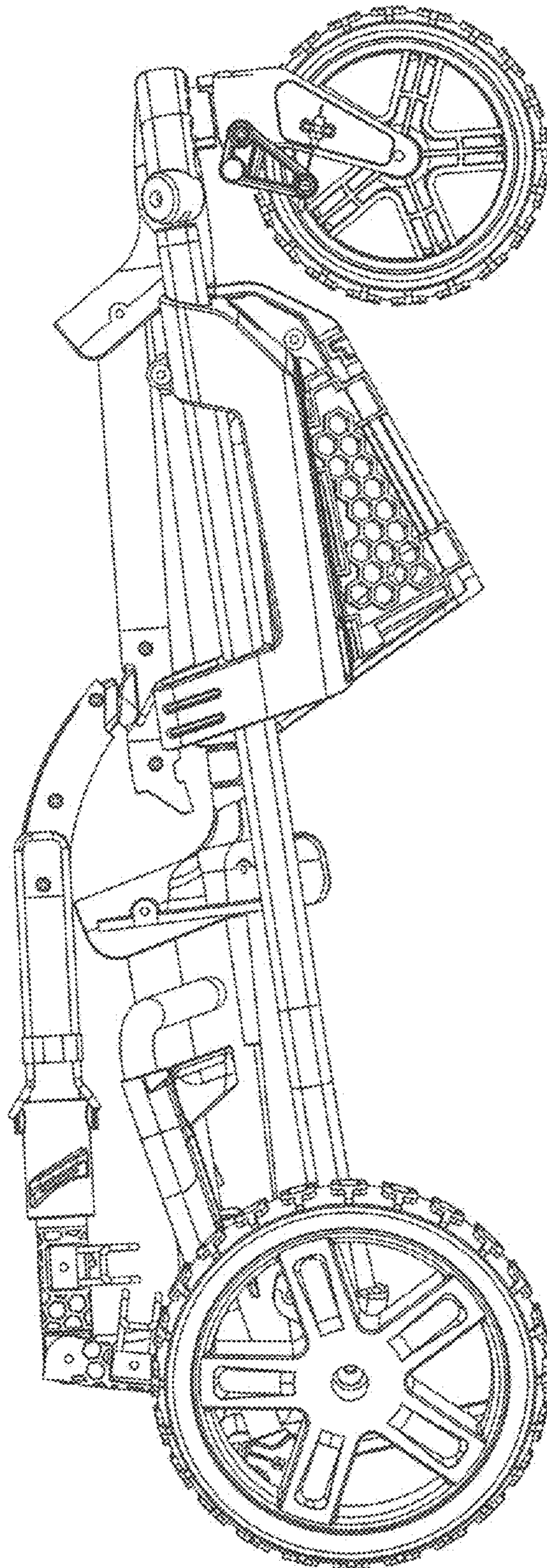


Figure 6

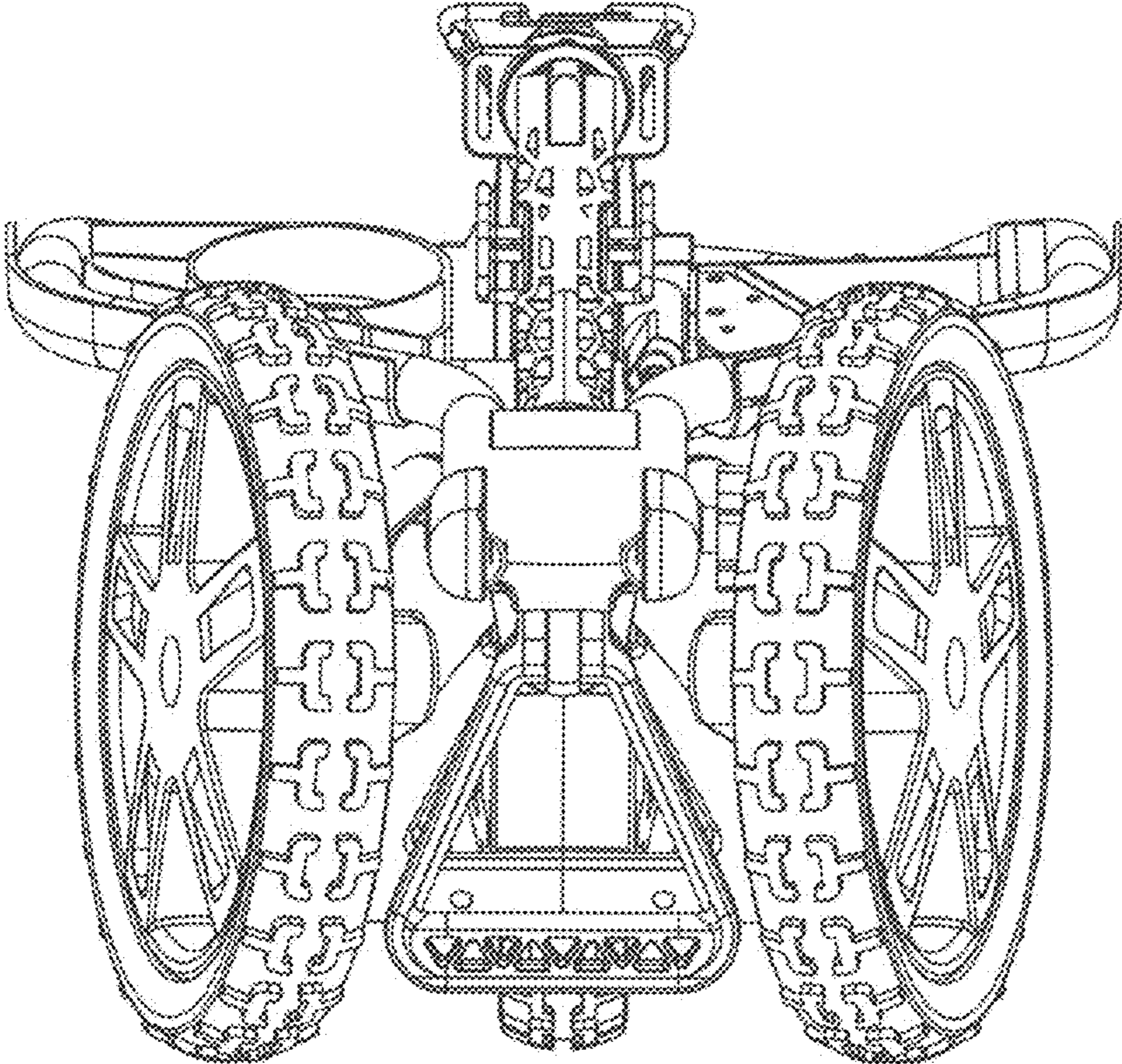


Figure 7