



US00D709661S

(12) **United States Design Patent**
Engstrom

(10) **Patent No.:** **US D709,661 S**
(45) **Date of Patent:** **** Jul. 22, 2014**

(54) **TRASH CAN**

(71) Applicant: **James A. Engstrom**, Scottsdale, AZ
(US)

(72) Inventor: **James A. Engstrom**, Scottsdale, AZ
(US)

(**) Term: **14 Years**

(21) Appl. No.: **29/461,688**

(22) Filed: **Jul. 26, 2013**

(51) **LOC (10) Cl.** **09-09**

(52) **U.S. Cl.**
USPC **D34/1**

(58) **Field of Classification Search**
USPC D34/1-11; 220/908, 908.1, 909, 911,
220/495.01, 495.04, 495.05, 495.06,
220/495.07, 495.08

See application file for complete search history.

(56) **References Cited**

U.S. PATENT DOCUMENTS

4,892,223	A *	1/1990	DeMent	229/117.35
D308,272	S *	5/1990	Koepsell	D34/6
D323,573	S *	1/1992	Schneider	D34/1
D337,181	S *	7/1993	Warman	D30/121
5,636,416	A	6/1997	Anderson		
D401,383	S *	11/1998	Gish	D34/1
D490,581	S	5/2004	Keithly et al.		
D499,450	S *	12/2004	Goodman et al.	D19/85
D531,499	S *	11/2006	Zaidman	D9/434
7,243,811	B1	7/2007	Ramsey		
D552,319	S *	10/2007	Gusdorf	D34/1
D568,572	S *	5/2008	Yang et al.	D34/10
7,398,913	B2 *	7/2008	McClure	220/495.08
D578,265	S *	10/2008	Presnell	D34/1
D580,616	S	11/2008	Bizzell et al.		

D584,470	S	1/2009	Bizzell et al.		
D585,171	S *	1/2009	Bizzell et al.	D34/1
D599,074	S *	8/2009	Bizzell et al.	D34/10
D611,217	S *	3/2010	Bizzell et al.	D34/10
D649,728	S *	11/2011	Campbell	D34/1
8,061,546	B2	11/2011	Ramsey		
8,672,171	B2 *	3/2014	Wynn et al.	220/495.11
2002/0096524	A1	7/2002	Hardesty		
2003/0089719	A1	5/2003	Berger		
2010/0252557	A1 *	10/2010	Clements	220/495.06
2011/0272409	A1 *	11/2011	Kasbohm	220/495.11

* cited by examiner

Primary Examiner — Cynthia Ramirez

(74) *Attorney, Agent, or Firm* — Thomas W. Galvani, P.C.;
Thomas W. Galvani

(57) **CLAIM**

The ornamental design for a trash can, as shown and described.

DESCRIPTION

FIG. 1 is a top perspective view of a trash can shown in accordance with my new design;

FIG. 2 is a rear elevation view of the trash can shown in FIG. 1;

FIG. 3 is a front elevation view of the trash can shown in FIG. 1;

FIG. 4 is a left side elevation view of the trash can shown in FIG. 1;

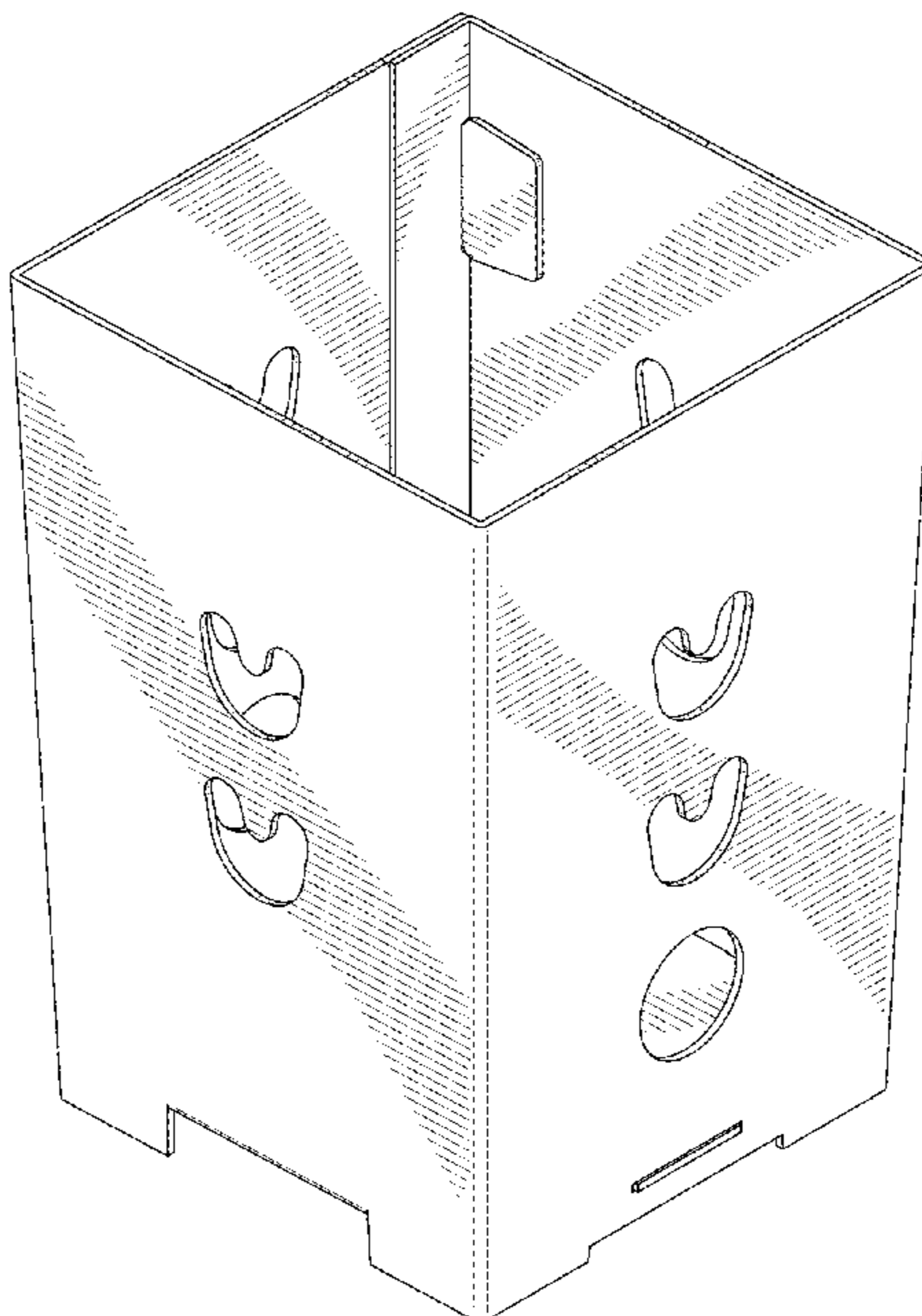
FIG. 5 is a right side elevation view of the trash can shown in FIG. 1;

FIG. 6 is a top plan view of the trash can shown in FIG. 1;

FIG. 7 is a bottom plan view of the trash can shown in FIG. 1;

and,
FIG. 8 is a bottom perspective view of the trash can shown in FIG. 1.

1 Claim, 8 Drawing Sheets



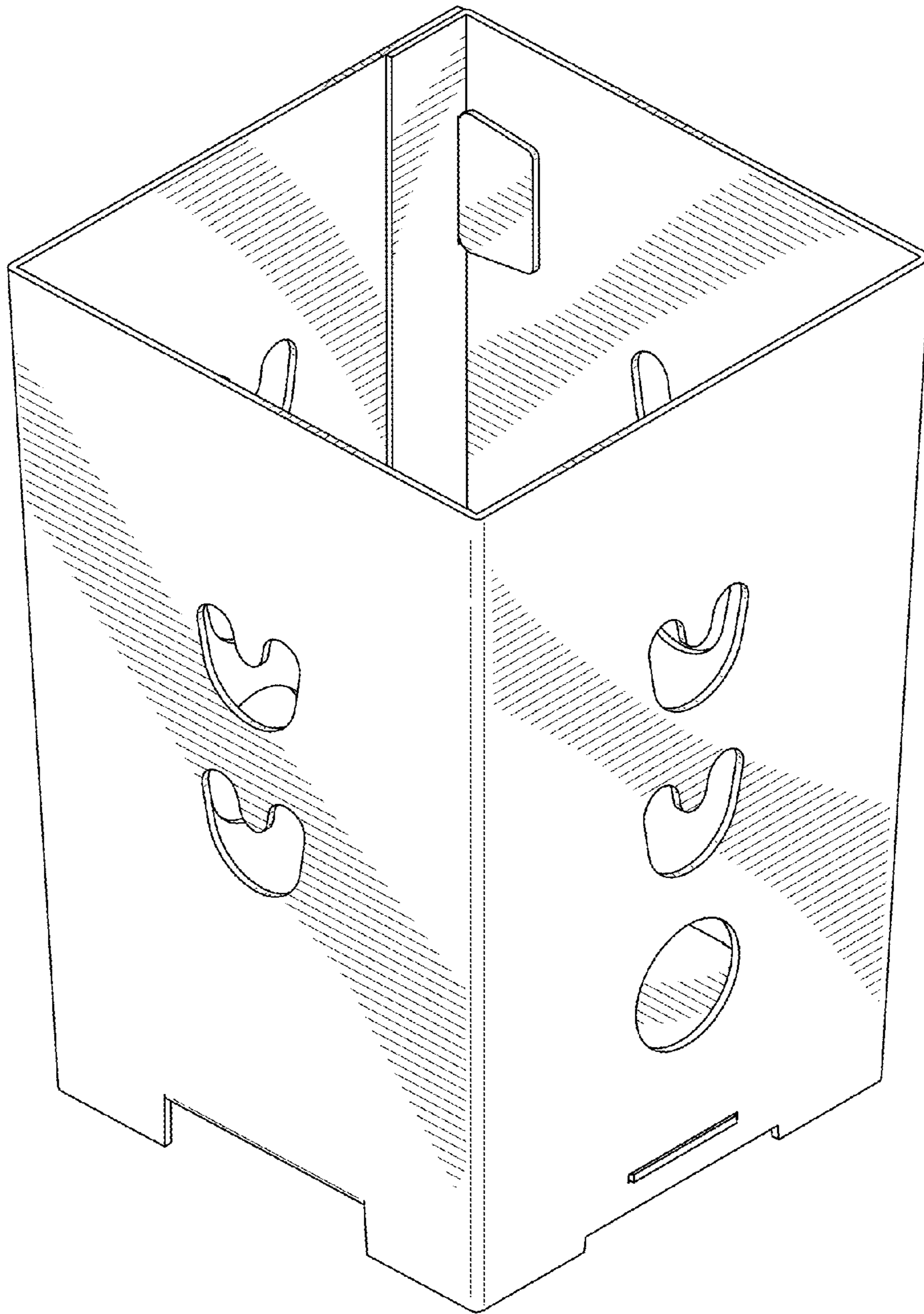


FIG. 1

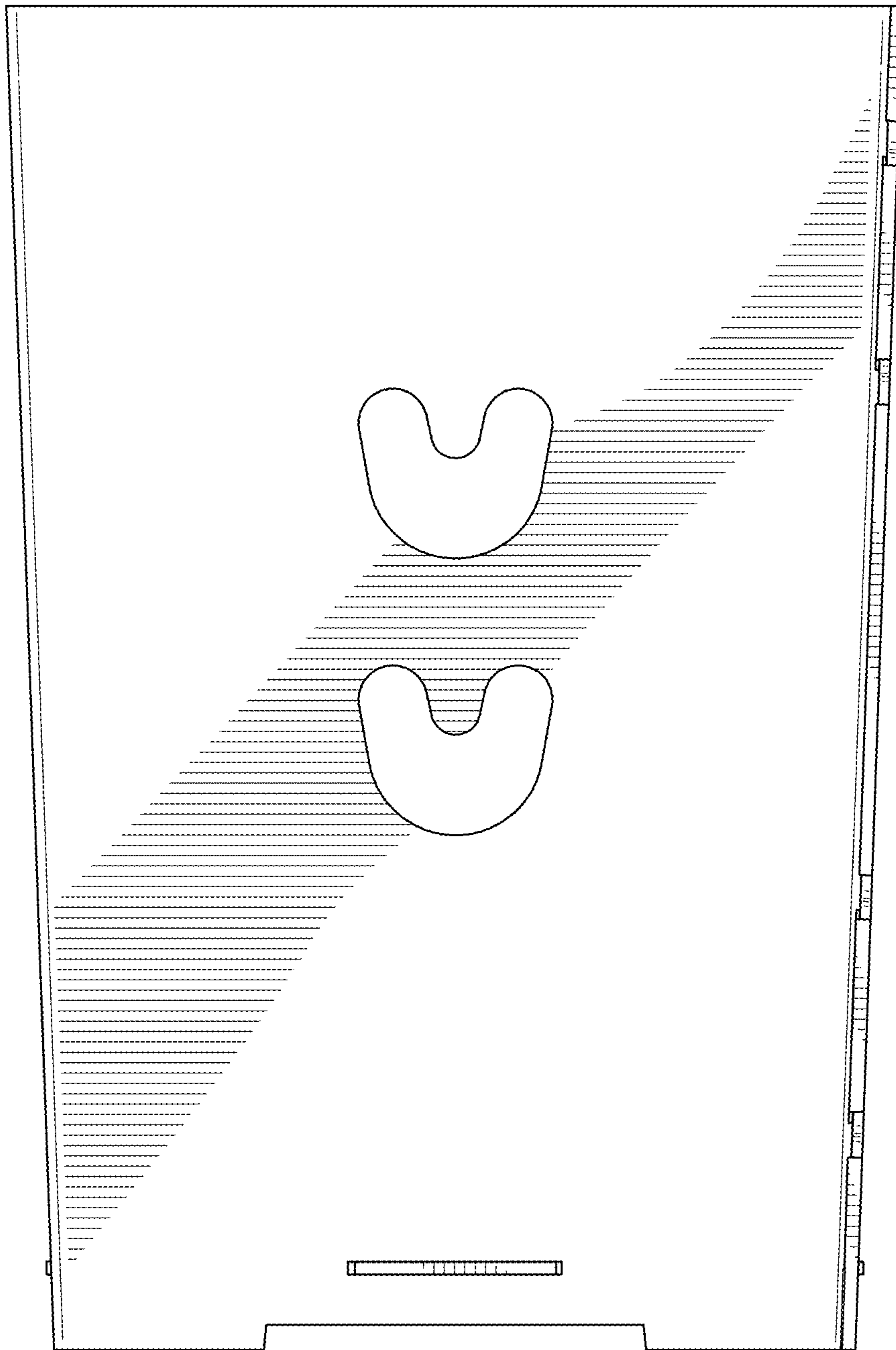


FIG. 2

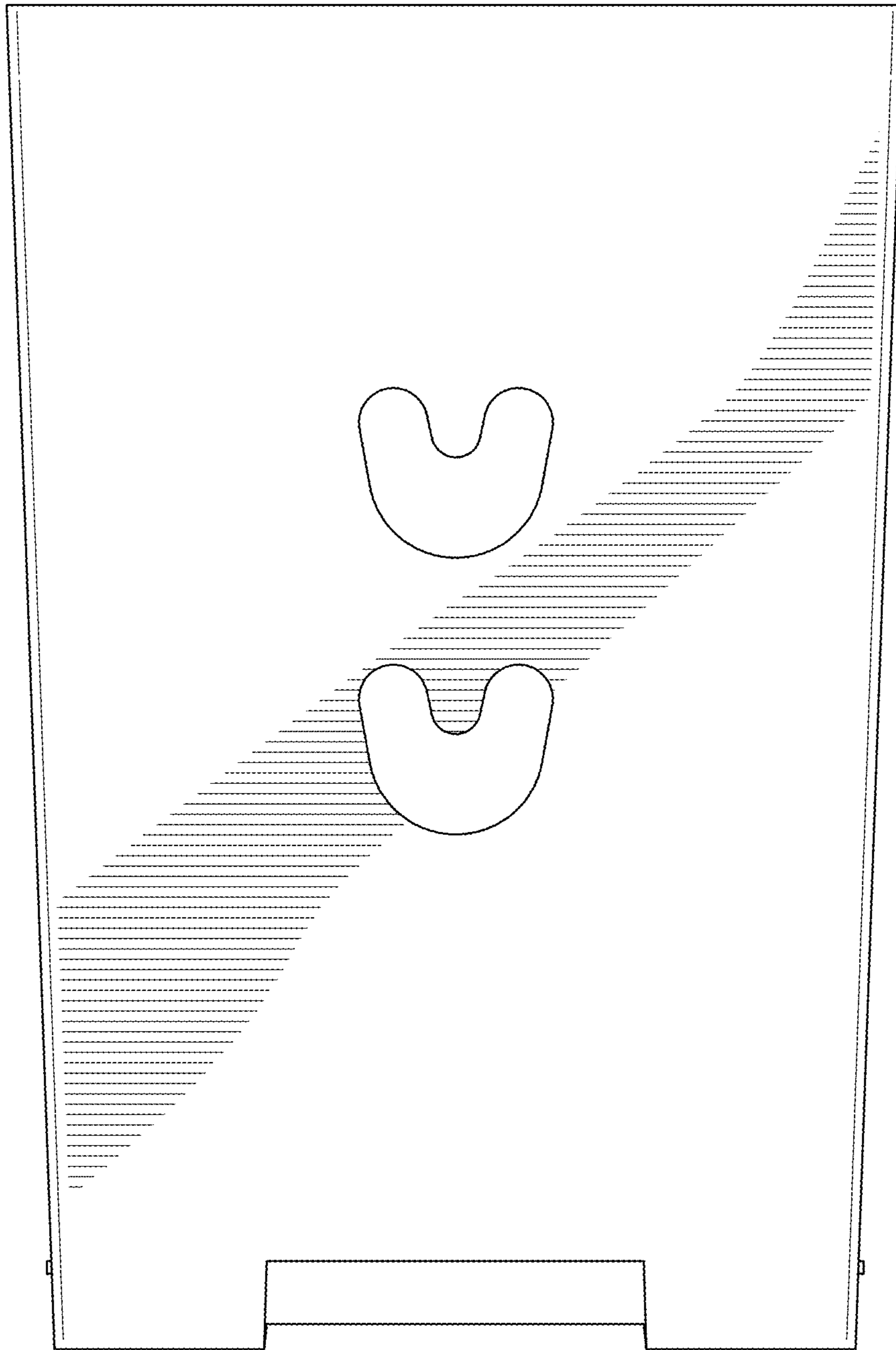


FIG. 3

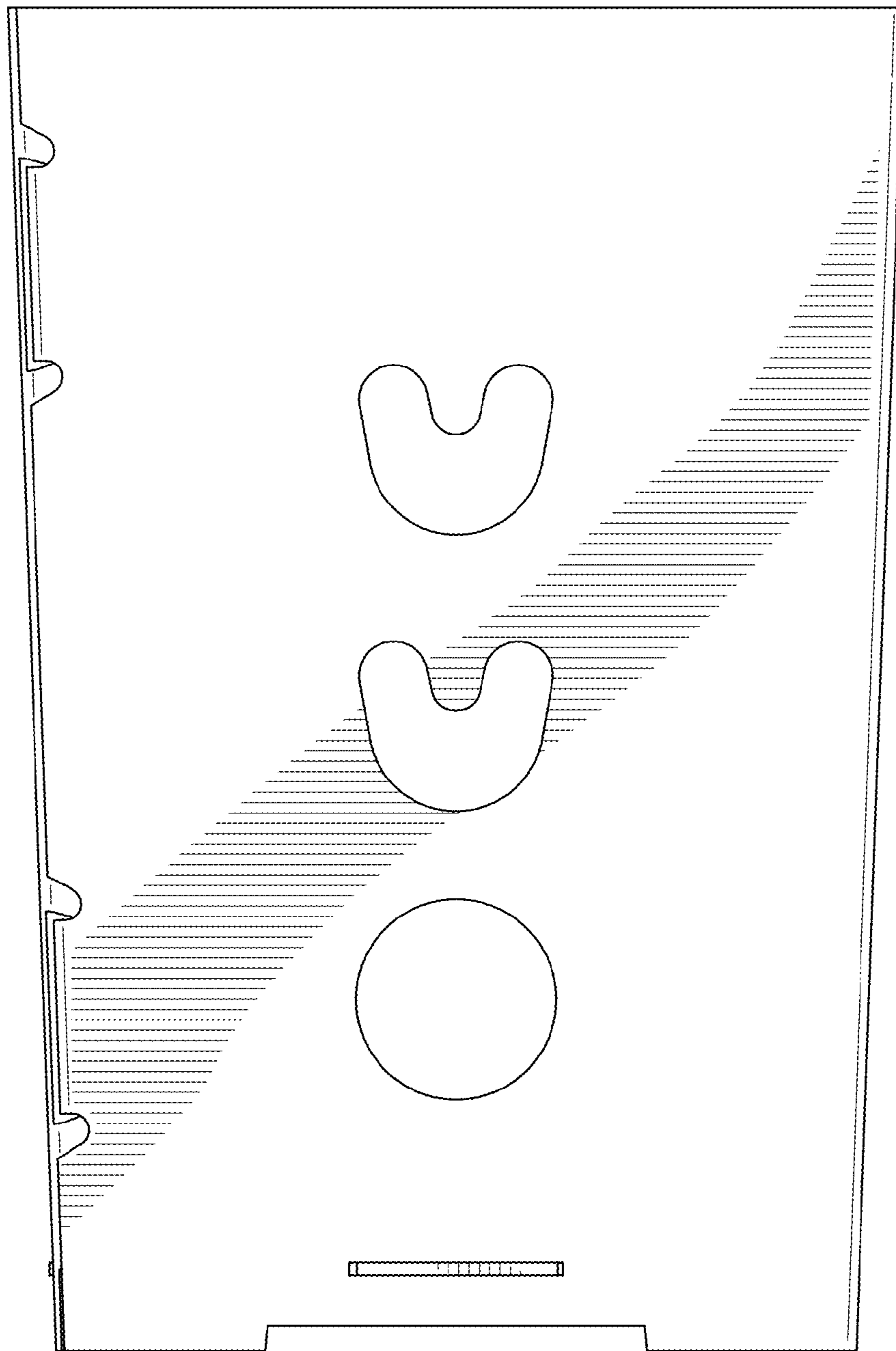


FIG. 4

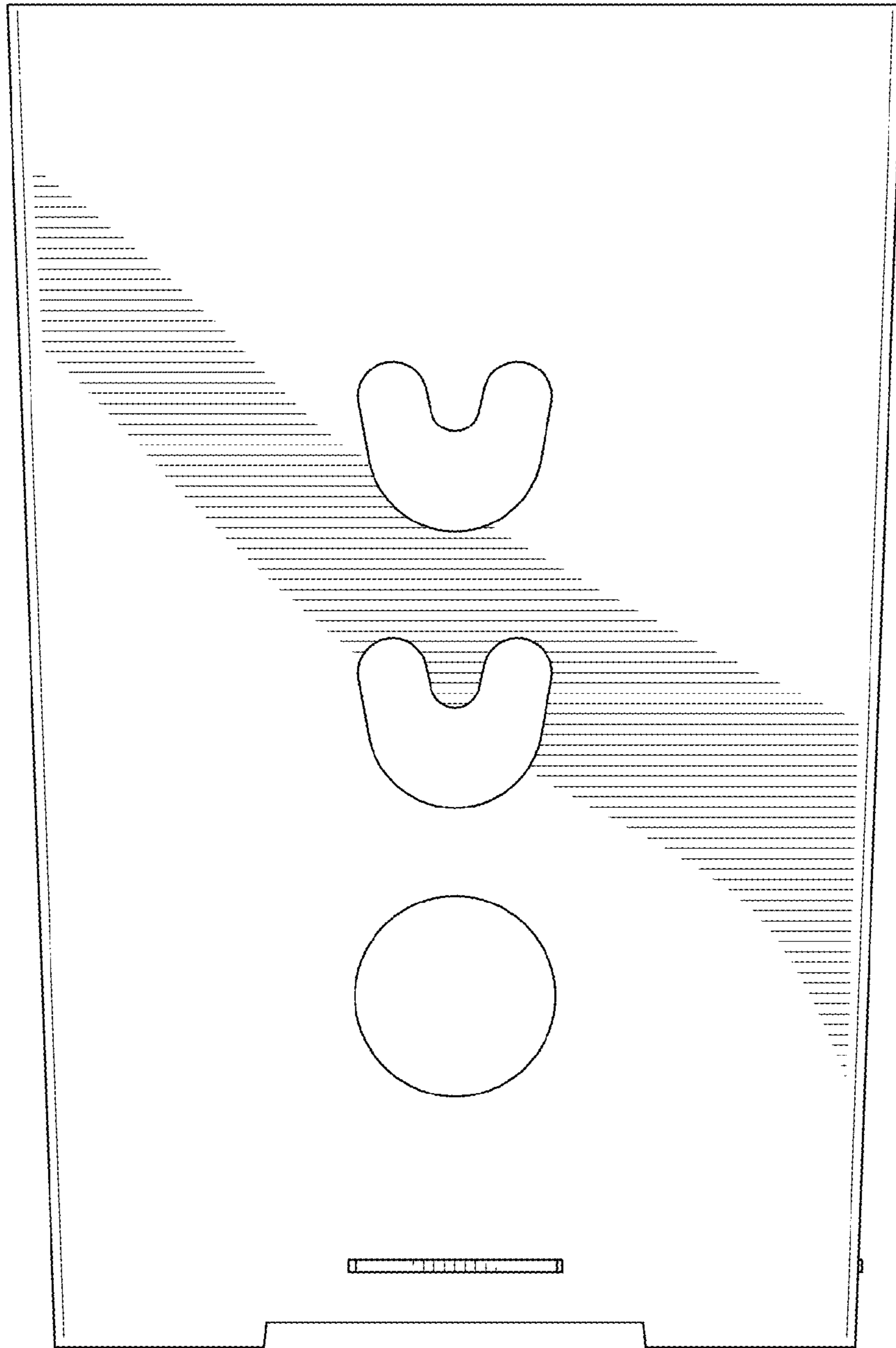


FIG. 5

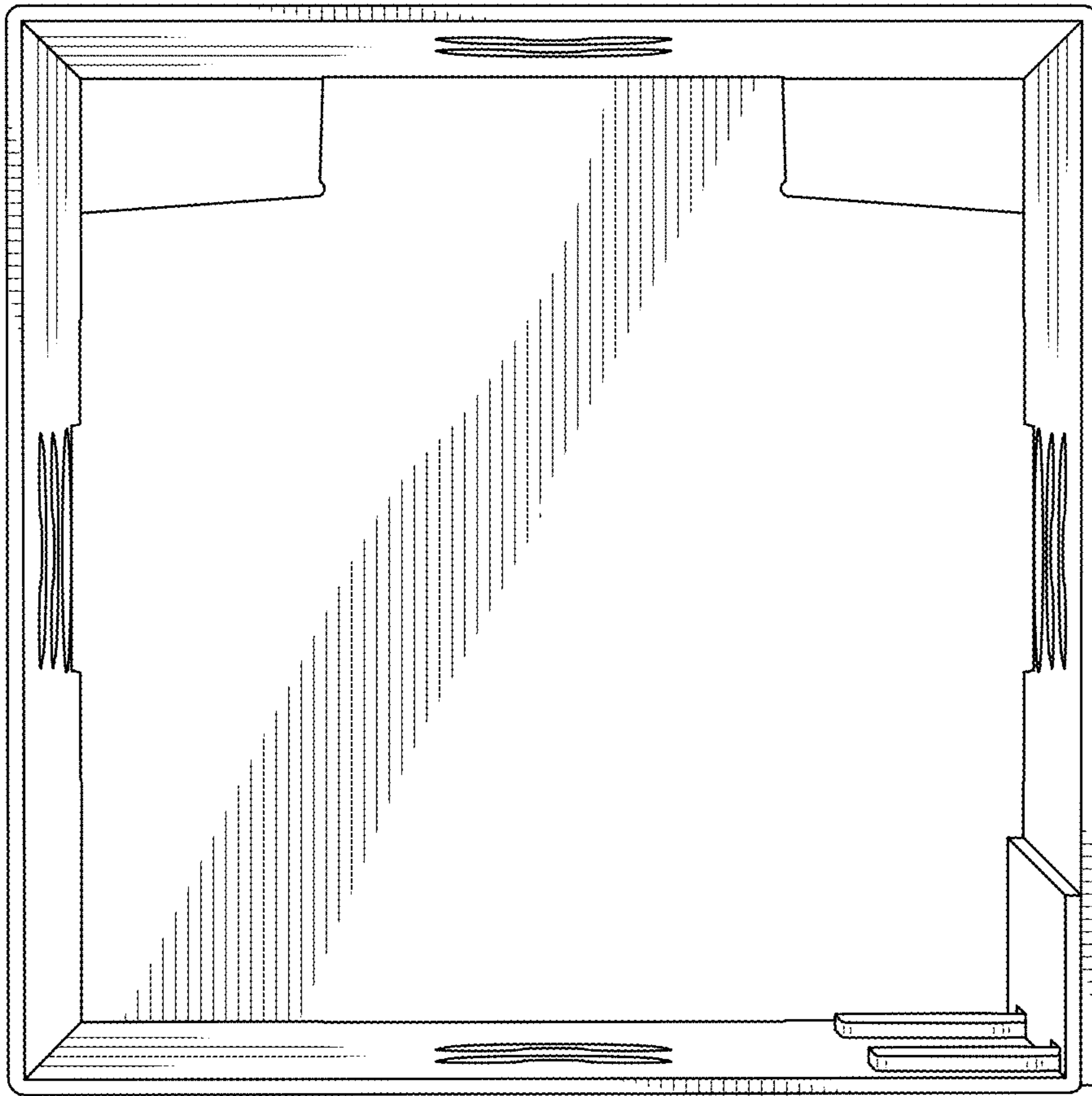


FIG. 6

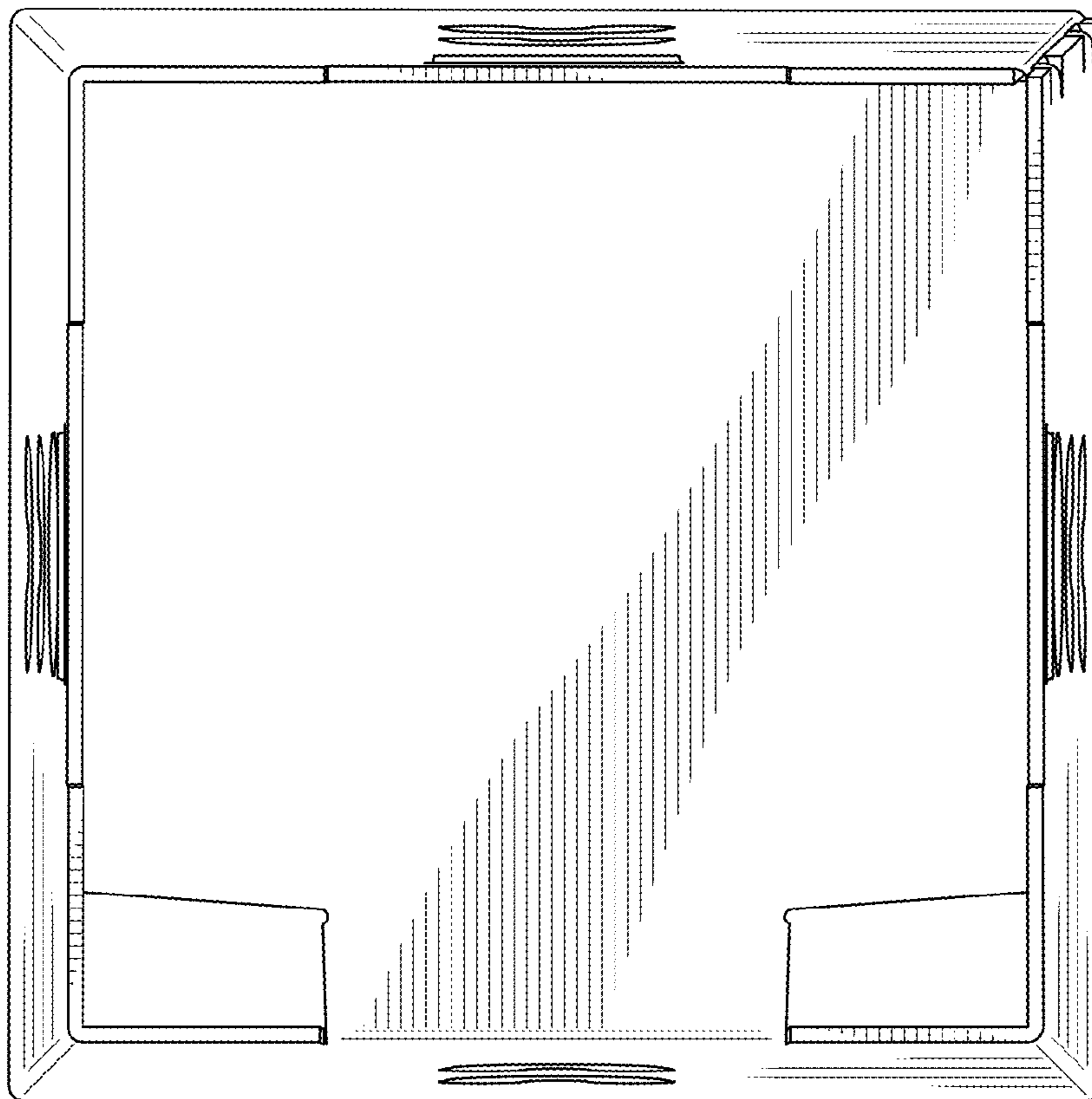


FIG. 7

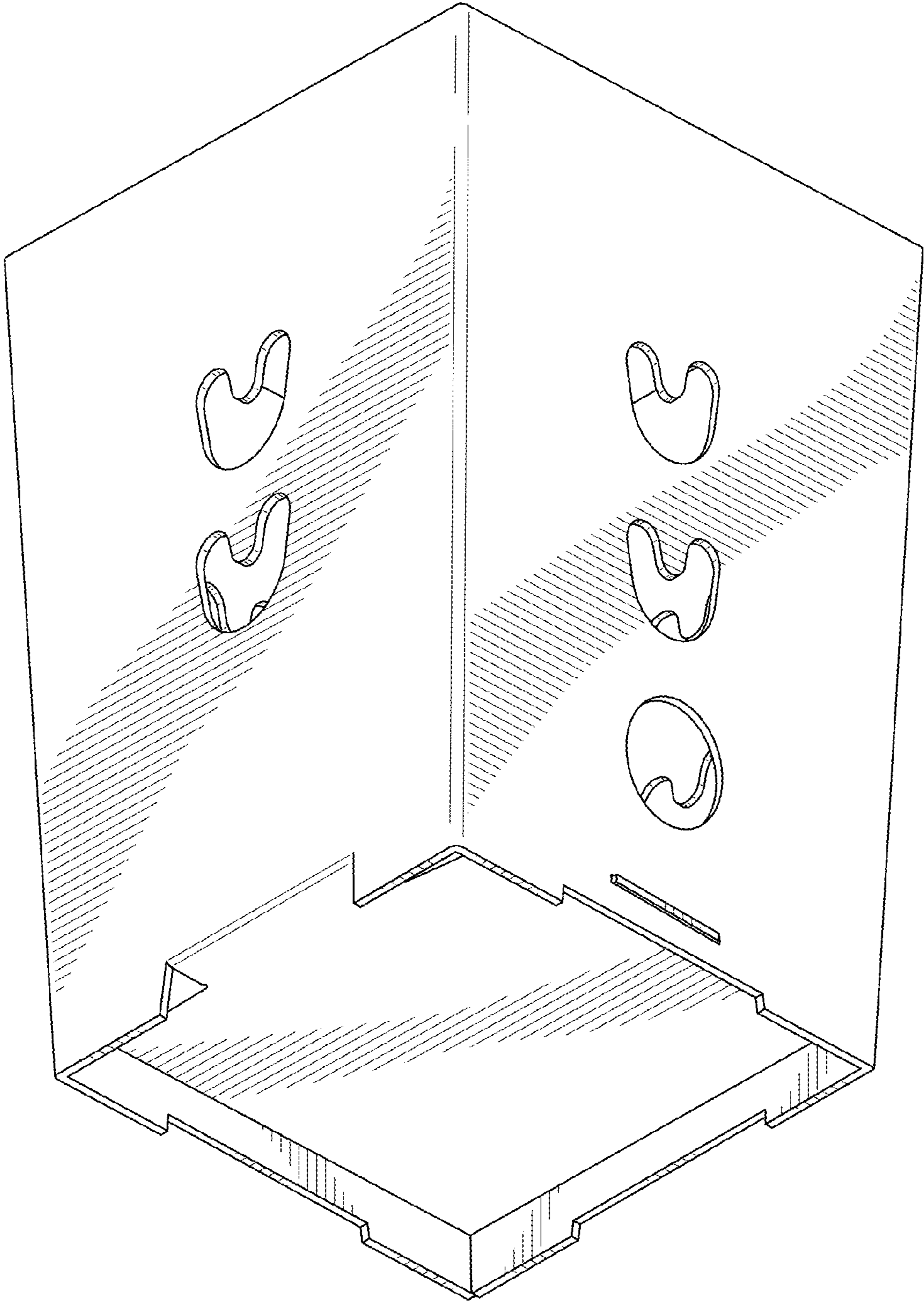


FIG. 8