



US00D709658S

(12) **United States Design Patent**
Griffin et al.

(10) **Patent No.:** **US D709,658 S**

(45) **Date of Patent:** **** Jul. 22, 2014**

(54) **VACUUM CLEANER HEAD**

(71) Applicant: **Shop Vac Corporation**, Williamsport, PA (US)

(72) Inventors: **John Griffin**, Phoenix, AZ (US); **Melvin E. Wolfe, Jr.**, Johnson City, NY (US)

(73) Assignee: **Shop Vac Corporation**, Williamsport, PA (US)

(**) Term: **14 Years**

(21) Appl. No.: **29/437,477**

(22) Filed: **Nov. 16, 2012**

(51) **LOC (10) Cl.** **15-05**

(52) **U.S. Cl.**
USPC **D32/33**

(58) **Field of Classification Search**
USPC D32/17, 22, 31-33, 50; 15/415.1-422, 15/1, 400, 414, 328, 329, 320, 22, 353, 15/361, 410, 383, 363, 327.1, 405, 246.2, 15/246.3, 4, 412, 396-399, 393, 98; 285/7
See application file for complete search history.

(56) **References Cited**

U.S. PATENT DOCUMENTS

D295,092	S	*	4/1988	Mizuno et al.	D32/32
D333,539	S	*	2/1993	Kramer et al.	D32/32
D370,097	S		5/1996	Griffin et al.		
6,101,668	A	*	8/2000	Grey	15/322
D439,711	S		3/2001	Griffin		

D457,696	S	*	5/2002	Worwag	D32/32
D507,854	S	*	7/2005	Kim	D32/32
D518,932	S	*	4/2006	Maruyama et al.	D32/32
D556,963	S	*	12/2007	Houghton	D32/32
7,308,729	B2		12/2007	Seasholtz et al.		
D590,554	S		4/2009	Griffin		
D599,064	S		8/2009	Crevling, Jr. et al.		
D606,716	S		12/2009	Crevling, Jr. et al.		
D621,108	S	*	8/2010	Santiago	D32/32
D643,582	S	*	8/2011	Ashbee et al.	D32/33
8,375,512	B2	*	2/2013	Ashbee	15/415.1
2006/0162121	A1	*	7/2006	Naito et al.	15/416

* cited by examiner

Primary Examiner — Ruth McInroy

(74) *Attorney, Agent, or Firm* — Marshall, Gerstein & Borun LLP

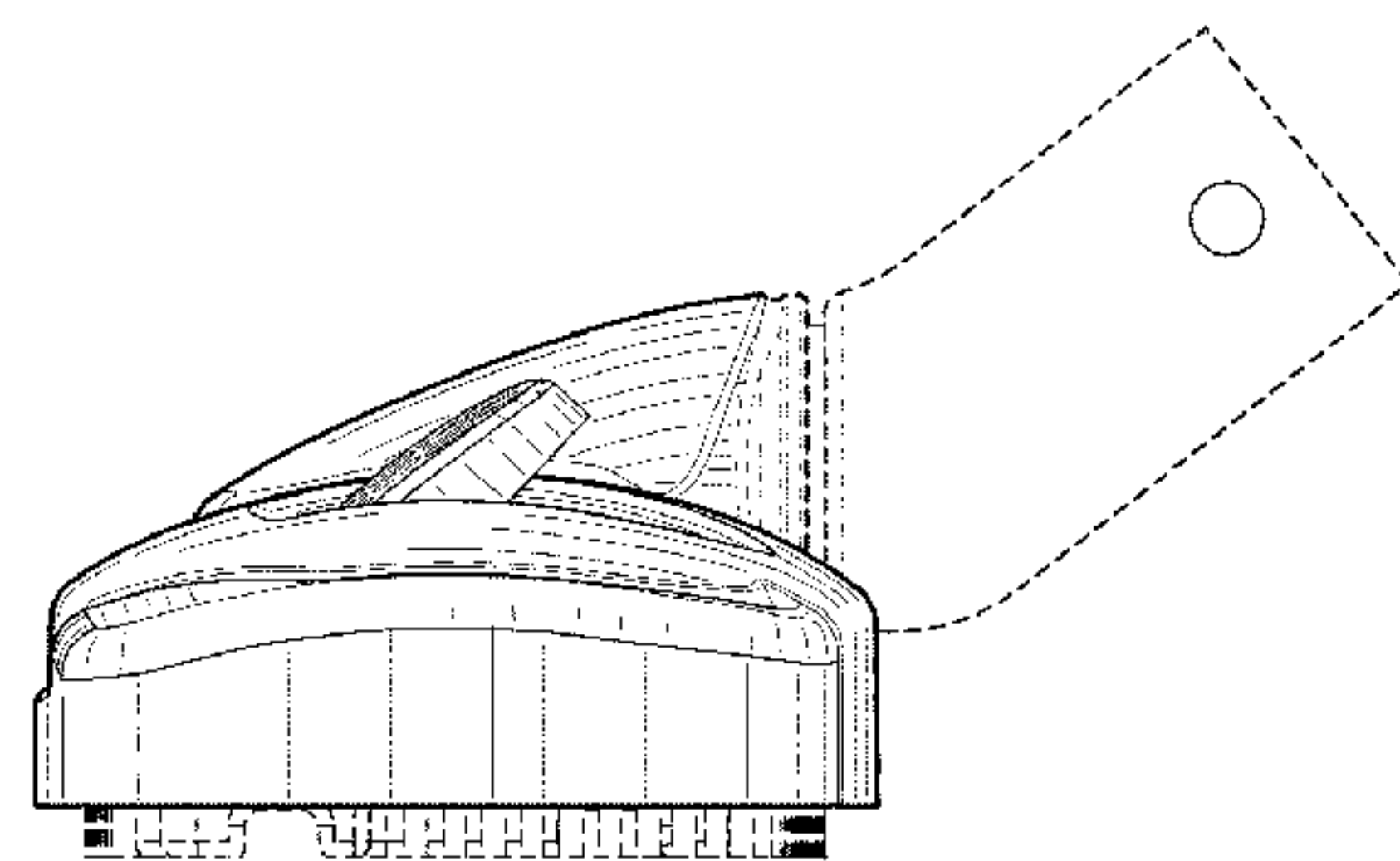
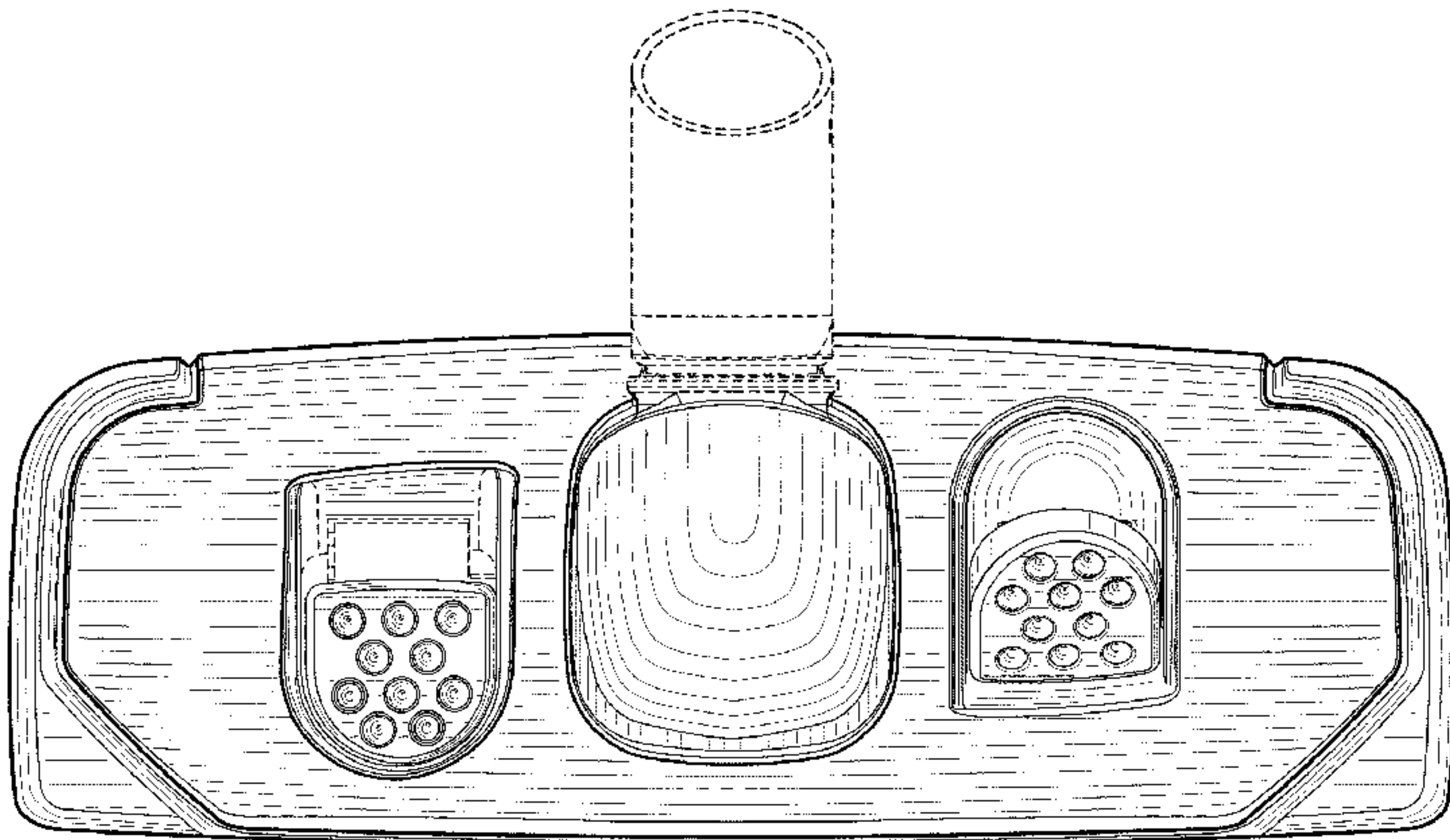
(57) **CLAIM**

The ornamental design for a vacuum cleaner head, as shown and described.

DESCRIPTION

FIG. 1 is a top plan view of a vacuum cleaner head showing our new design;
FIG. 2 is a front elevation view thereof;
FIG. 3 is a rear elevation view thereof;
FIG. 4 is a right-side elevation view thereof;
FIG. 5 is a left-side elevation view thereof;
FIG. 6 is a bottom plan view thereof; and,
FIG. 7 is a perspective view thereof.
The details shown in broken lines form no part of the claimed design.

1 Claim, 6 Drawing Sheets



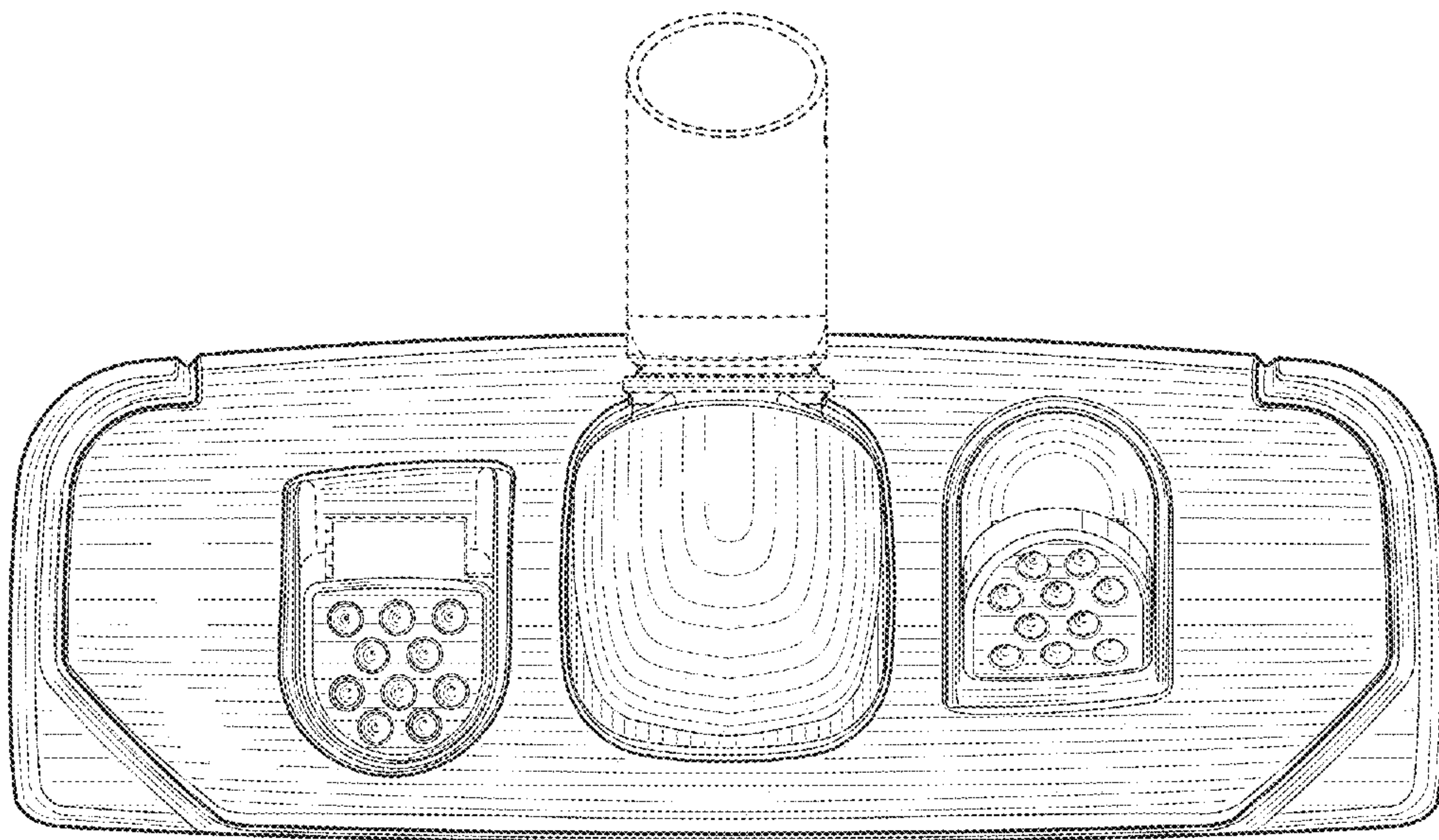


FIG. 1

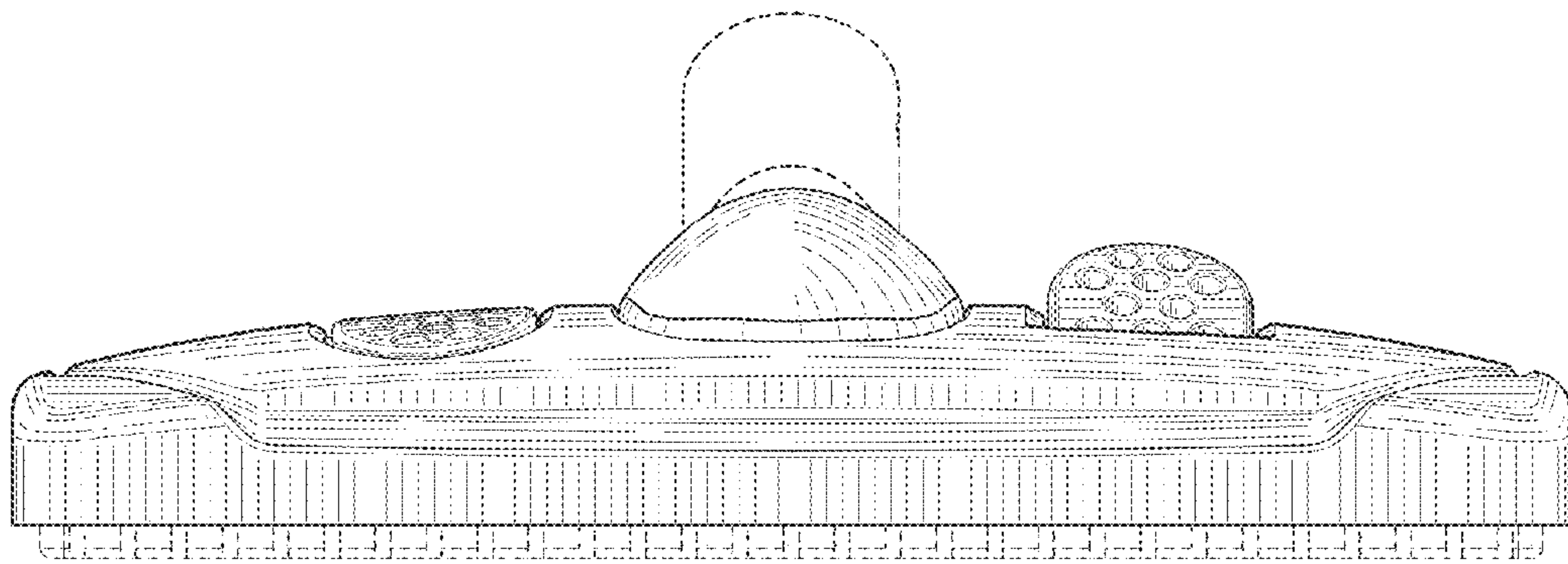


FIG. 2

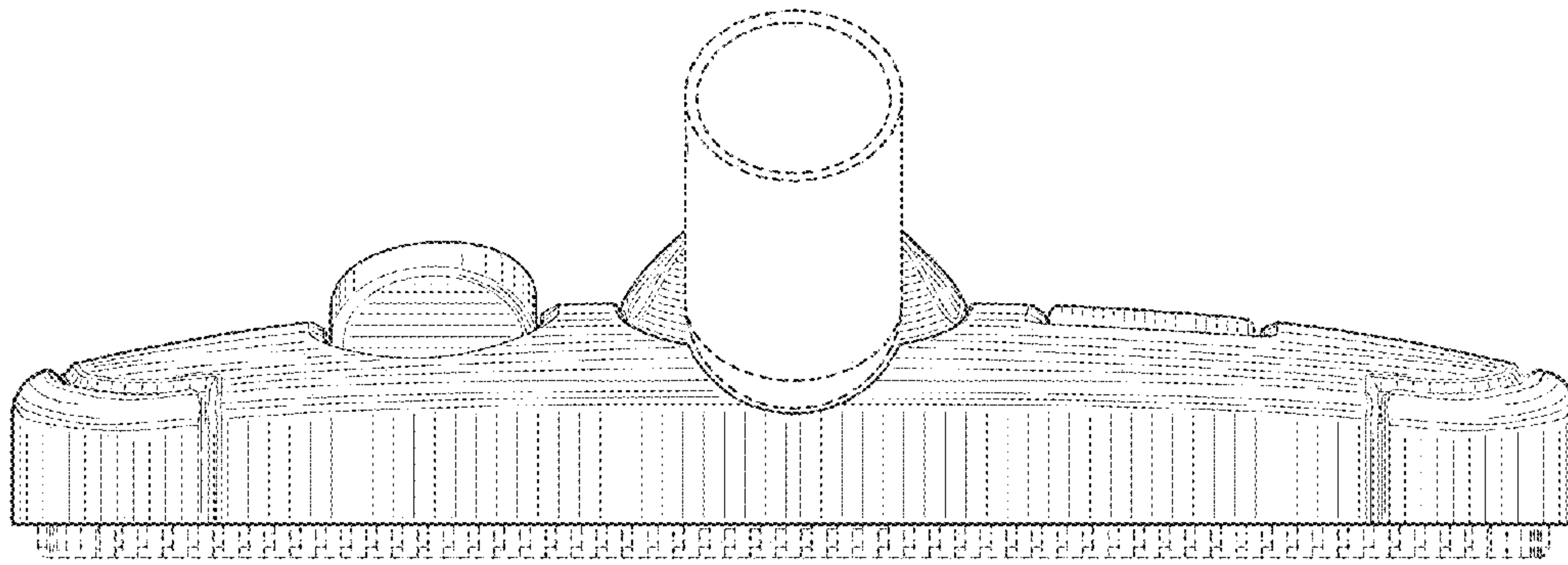


FIG. 3

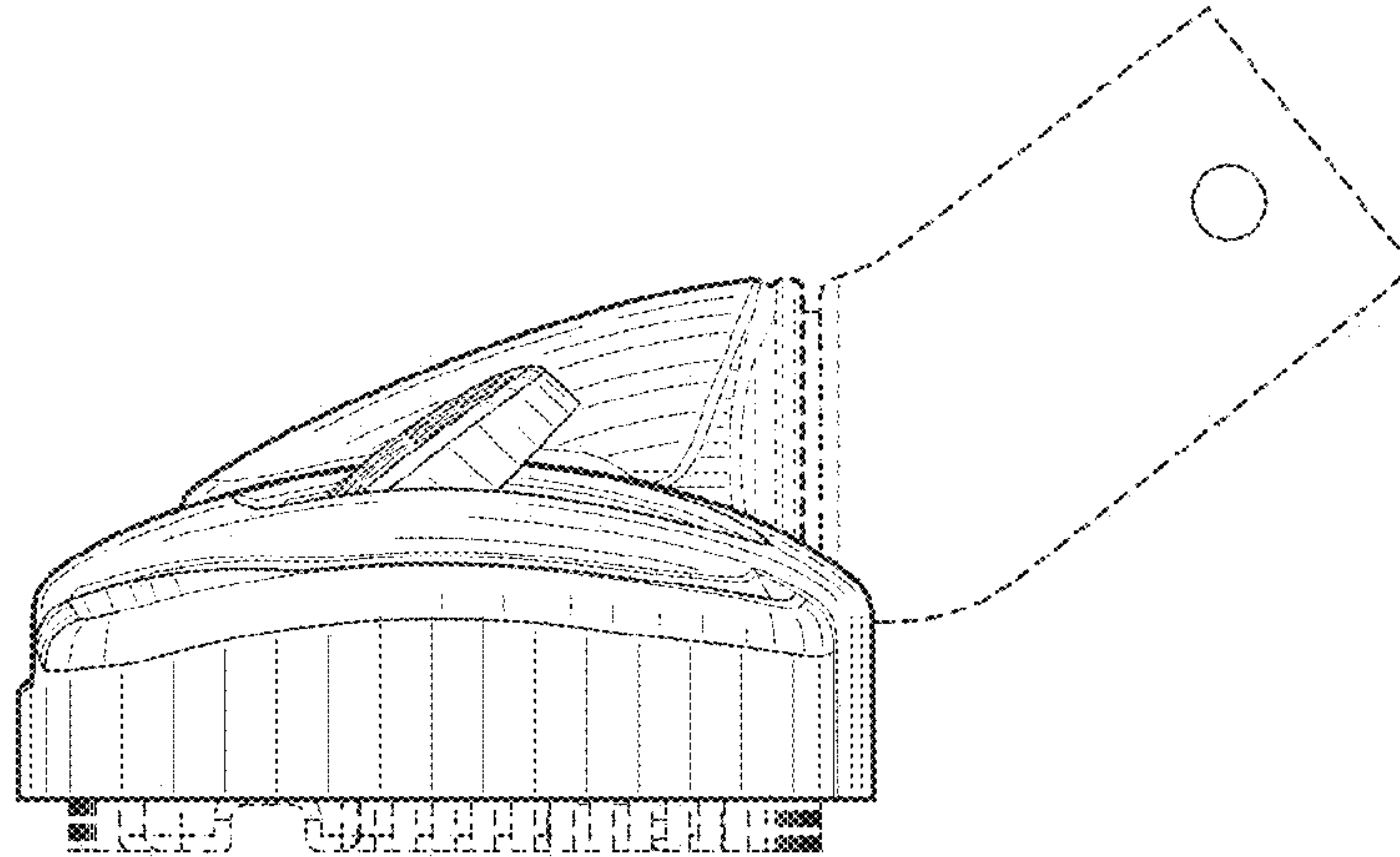


FIG. 4

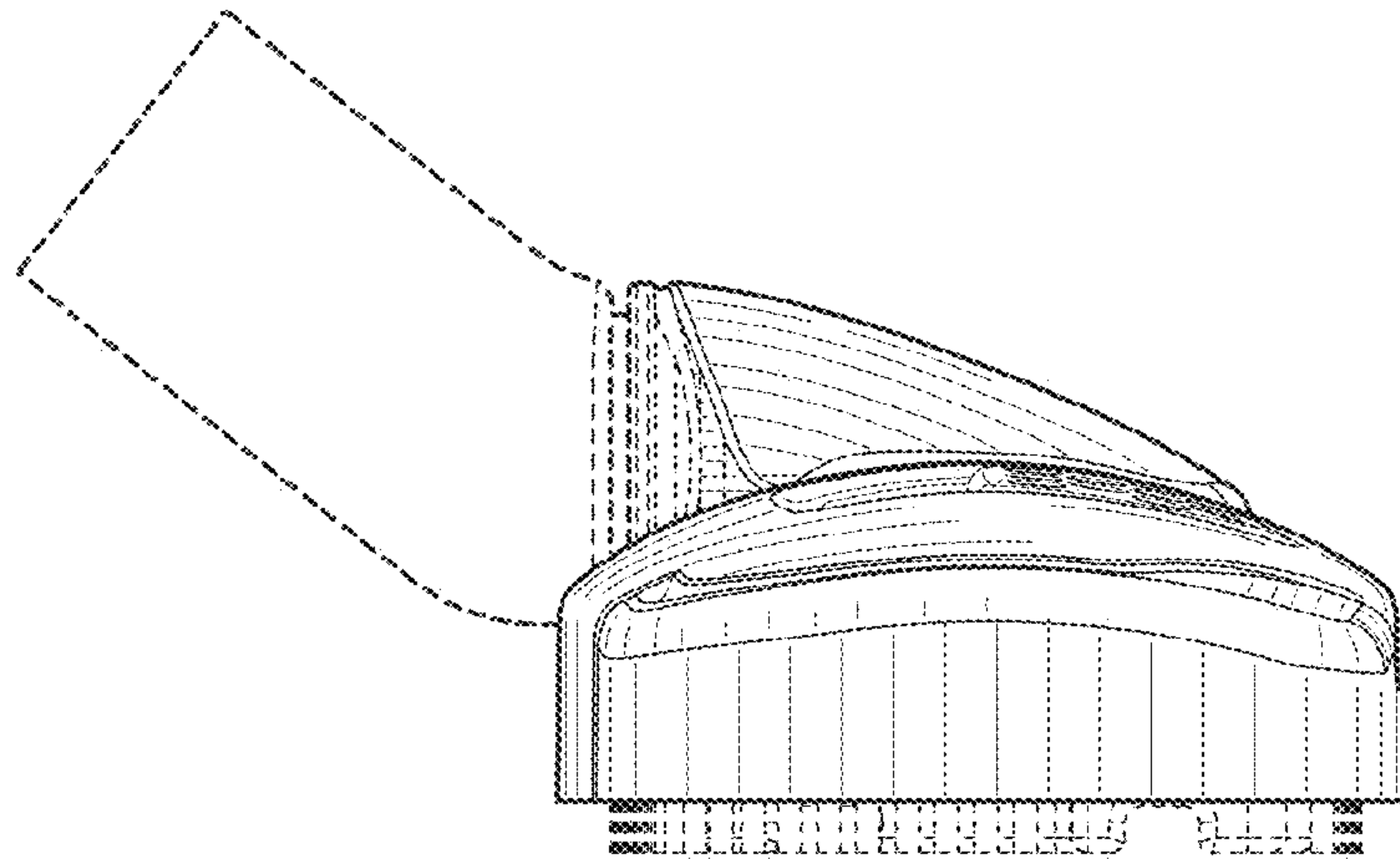


FIG. 5

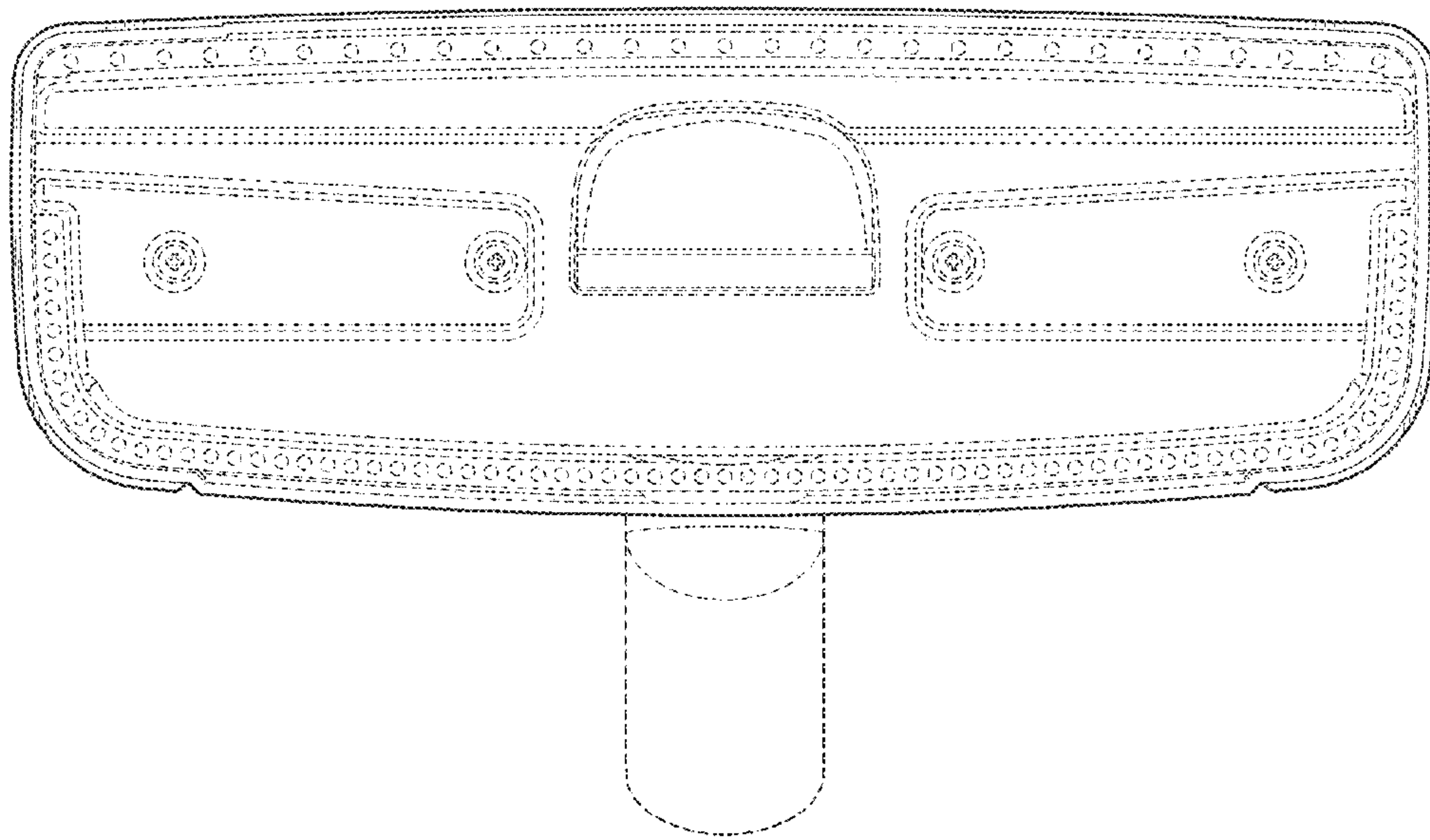


FIG. 6

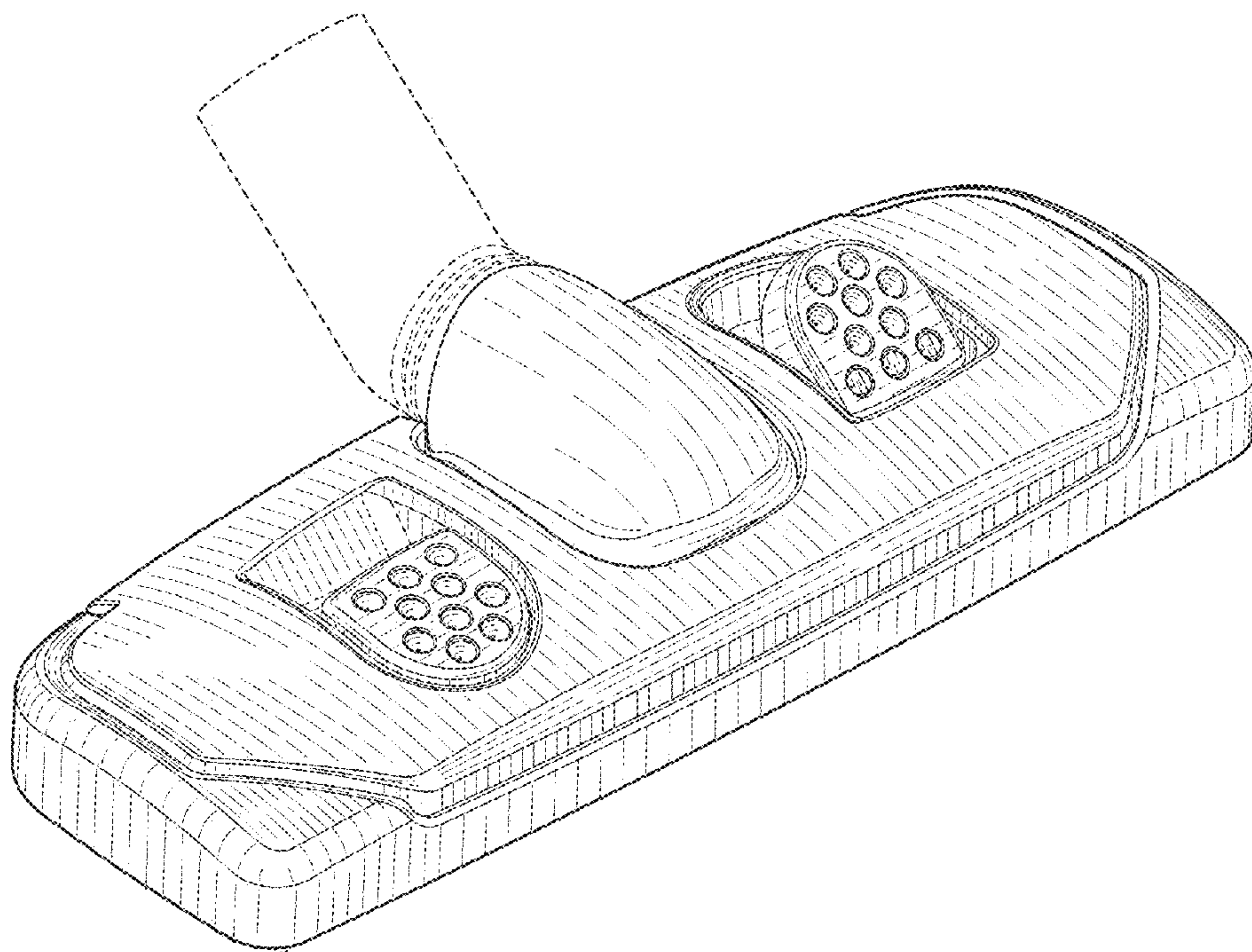


FIG. 7