



US00D709657S

(12) **United States Design Patent**
Shin et al.

(10) **Patent No.:** **US D709,657 S**
(45) **Date of Patent:** **** Jul. 22, 2014**

(54) **WASHING MACHINE**

(71) Applicant: **Samsung Electronics Co., Ltd.**,
Suwon-Si (KR)

(72) Inventors: **Dongju Shin**, Seoul (KR); **Cheolyeon Jo**, Seoul (KR); **Hyun Joo Sim**, Seoul (KR)

(73) Assignee: **Samsung Electronics Co., Ltd.**,
Gyeonggi-do (KR)

(**) Term: **14 Years**

(21) Appl. No.: **29/455,148**

(22) Filed: **May 17, 2013**

(30) **Foreign Application Priority Data**

Dec. 7, 2012 (KR) 30-2012-0059149

(51) **LOC (10) CL.** **15-05**

(52) **U.S. CL.**
USPC **D32/25**

(58) **Field of Classification Search**
USPC D32/1-2, 5-10, 25, 28; 68/3 R, 4, 5 R,
68/12.01, 12.07-12.08, 212; 34/58,
34/87-88, 108, 130-131, 523-524,
34/595-597

See application file for complete search history.

(56) **References Cited**

U.S. PATENT DOCUMENTS

D153,515 S * 4/1949 Sandin D32/6
D175,019 S * 6/1955 Ferar D32/6
D289,212 S * 4/1987 Nakamura et al. D32/6
D300,279 S * 3/1989 Umehara et al. D32/6
D313,679 S * 1/1991 Sakamoto D32/6
5,253,493 A * 10/1993 Ohashi 68/4

5,315,847 A * 5/1994 Takeda et al. 68/12.02
5,437,168 A * 8/1995 Mason et al. 68/3 R
D422,387 S * 4/2000 Mutoh et al. D32/25
D446,890 S * 8/2001 Cho D32/6
D470,632 S * 2/2003 Oda D32/6
D503,835 S * 4/2005 Oda D32/6
D516,258 S * 2/2006 Matsusaki et al. D32/6
D519,692 S * 4/2006 Jun D32/6
D537,991 S * 3/2007 Jun D32/6
D539,995 S * 4/2007 Im D32/6
D541,491 S * 4/2007 Jun D32/6
D547,915 S * 7/2007 Jun D32/6
D597,712 S * 8/2009 Jeon et al. D32/6
D599,509 S * 9/2009 Jeon et al. D32/6
7,934,400 B2 * 5/2011 Yoo et al. 68/3 R
2006/0107702 A1 * 5/2006 Kim 68/3 R
2006/0168895 A1 * 8/2006 Bienick et al. 49/501
2008/0011024 A1 * 1/2008 Won 68/212
2009/0229320 A1 * 9/2009 Yoo et al. 68/3 R

* cited by examiner

Primary Examiner — T. Chase Nelson

Assistant Examiner — Kathleen M Sims

(74) *Attorney, Agent, or Firm* — Harness, Dickey & Pierce

(57) **CLAIM**

The ornamental design for a washing machine, as shown and described.

DESCRIPTION

FIG. 1 is the front/right-side/top perspective view of a washing machine showing our new design;
FIG. 2 is the front elevational view thereof;
FIG. 3 is the rear elevational view thereof;
FIG. 4 is the left-side elevational view thereof;
FIG. 5 is the right-side elevational view thereof;
FIG. 6 is the top plan view thereof; and,
FIG. 7 is the bottom plan view thereof.
The broken lines shown in the drawings represent unclaimed portions of washing machine.

1 Claim, 7 Drawing Sheets

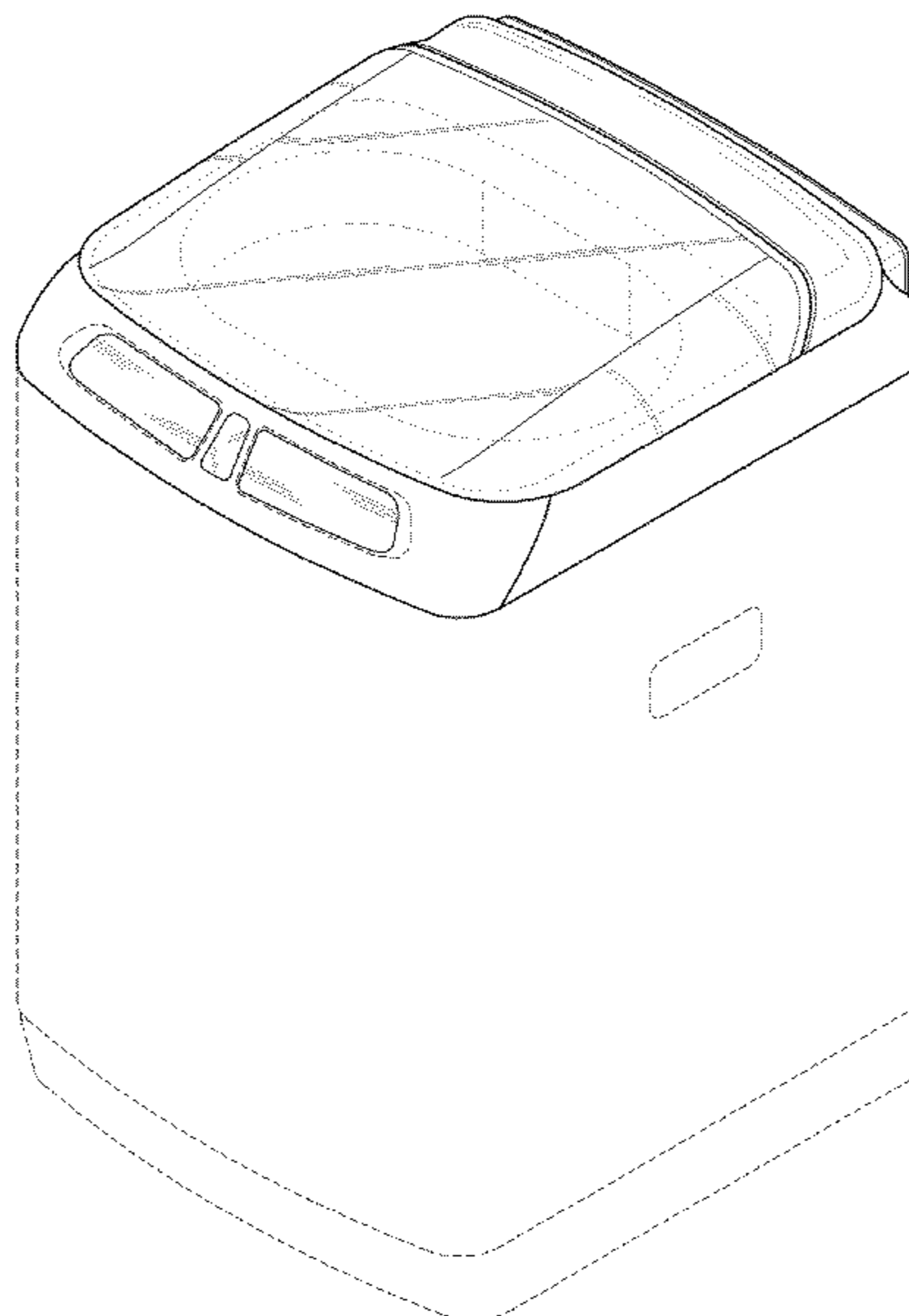


FIG. 1

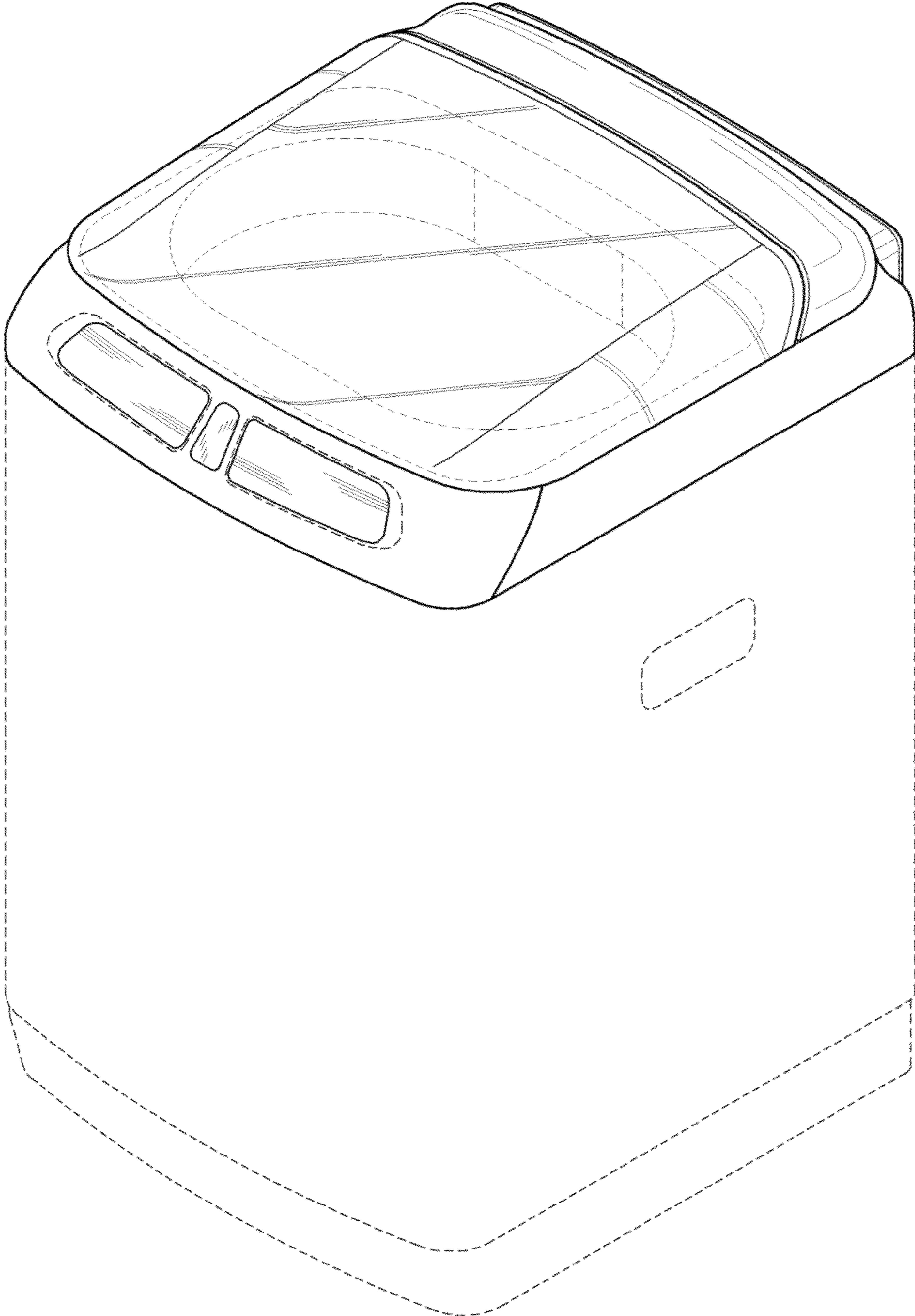


FIG. 2



FIG. 3



FIG. 4

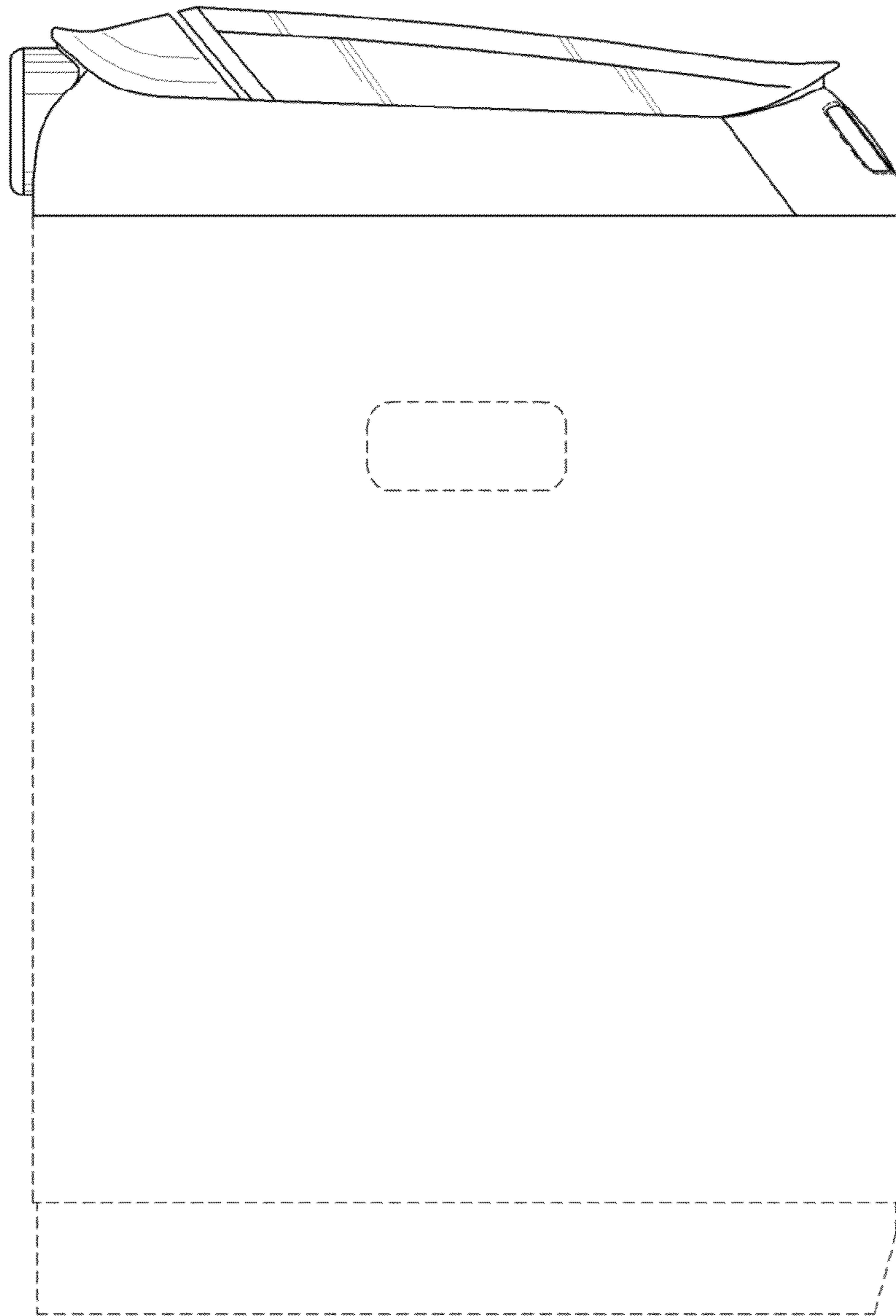


FIG. 5

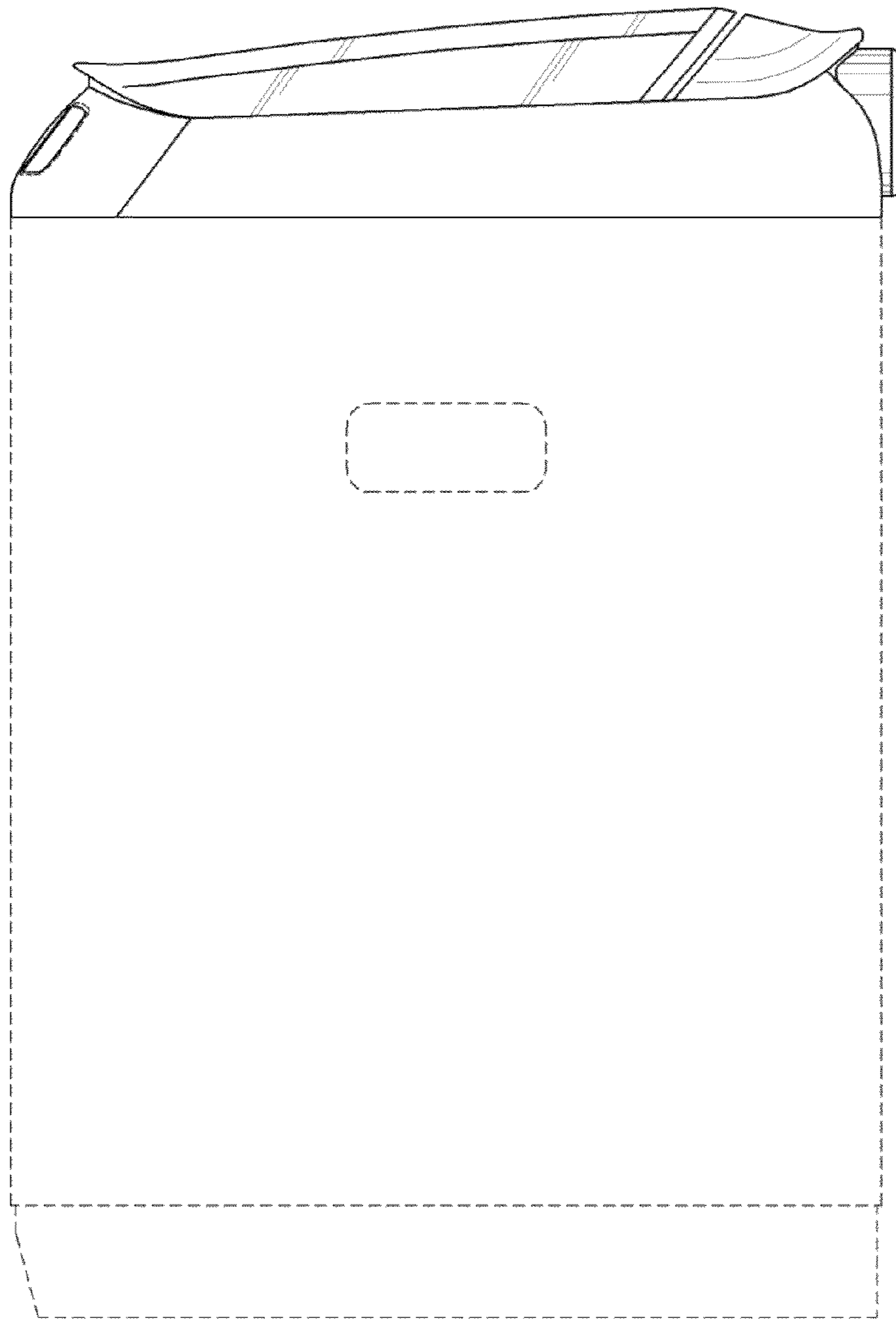


FIG. 6

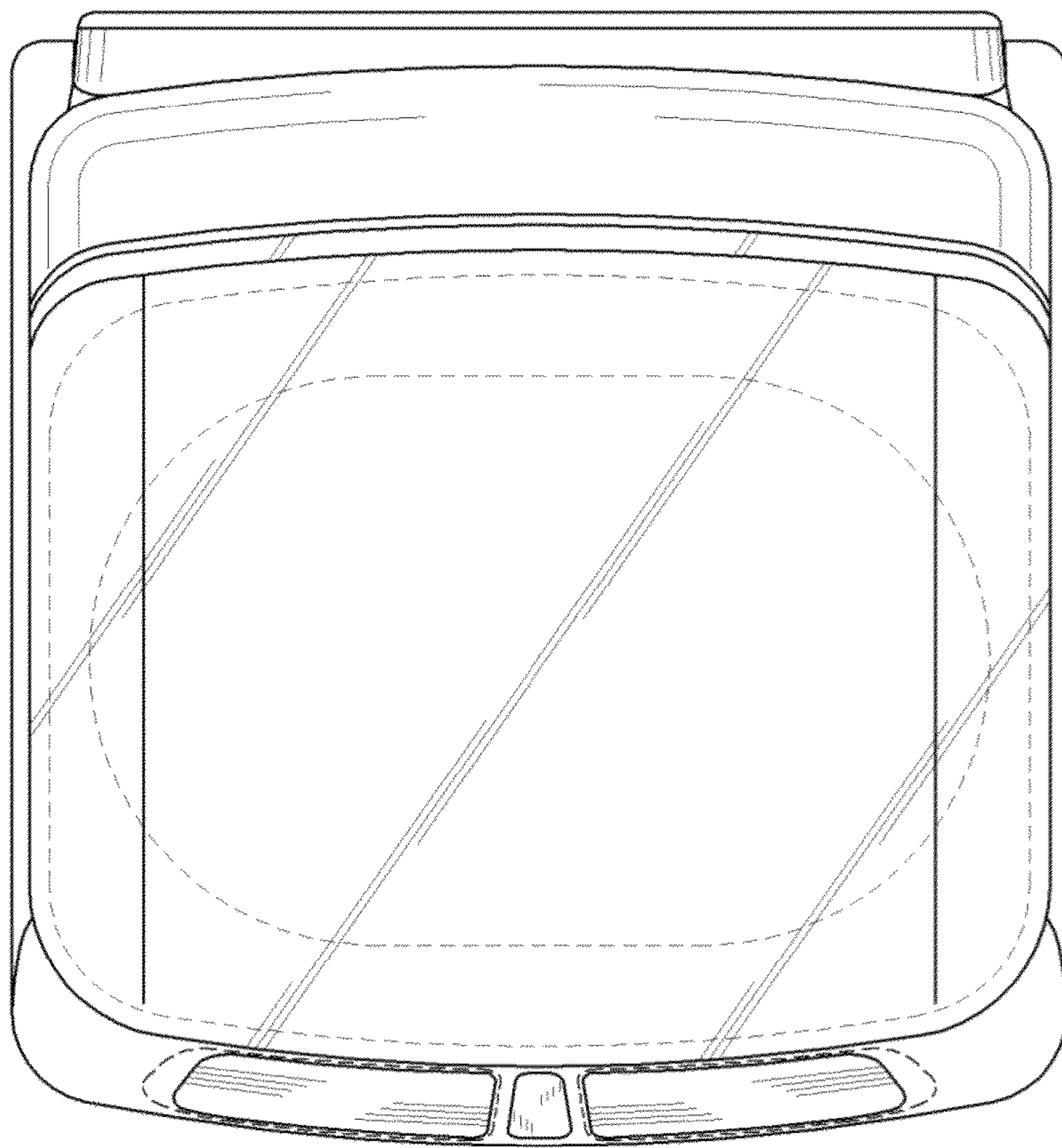


FIG. 7

