



US00D709656S

(12) **United States Design Patent**
Ruetenik

(10) **Patent No.:** **US D709,656 S**

(45) **Date of Patent:** **** Jul. 22, 2014**

(54) **EQUINE BOOT ORTHOTIC PAD**

(71) Applicant: **Monty L. Ruetenik**, Clear Lake Shores,
TX (US)

(72) Inventor: **Monty L. Ruetenik**, Clear Lake Shores,
TX (US)

(**) Term: **14 Years**

(21) Appl. No.: **29/454,568**

(22) Filed: **May 10, 2013**

(51) **LOC (10) Cl.** **30-01**

(52) **U.S. Cl.**
USPC **D30/149**

(58) **Field of Classification Search**
USPC D30/146-150; 119/814, 850; 54/82;
168/1-3, 11-18, 22, 26, 27

See application file for complete search history.

(56) **References Cited**

U.S. PATENT DOCUMENTS

2,191,834	A *	2/1940	Slack	168/28
5,706,898	A *	1/1998	Beadle	168/28
D479,021	S *	8/2003	Kriesel et al.	D30/146
D528,708	S *	9/2006	Eustace	D30/149
7,178,321	B2 *	2/2007	Ruetenik	54/82
D580,111	S *	11/2008	Lander	D30/146
7,445,051	B2 *	11/2008	Ruetenik	168/28

D693,525	S *	11/2013	Osborne	D30/149
2003/0155132	A1 *	8/2003	McLane	168/14
2004/0112612	A1 *	6/2004	Rafeld	168/12
2005/0072128	A1 *	4/2005	Ruetenik	54/82
2006/0254782	A1 *	11/2006	Morris	168/28
2007/0033909	A1 *	2/2007	Lustgarten	54/82
2008/0311222	A1 *	12/2008	Pound et al.	424/637
2009/0032270	A1 *	2/2009	Ruetenik	168/28
2010/0031614	A1 *	2/2010	Osborne	54/82
2011/0041780	A1 *	2/2011	Hurwitz	119/850
2014/0033661	A1 *	2/2014	Ruetenik	54/82

* cited by examiner

Primary Examiner — Eric Goodman

Assistant Examiner — Jennifer Watkins

(74) *Attorney, Agent, or Firm* — Douglas Baldwin

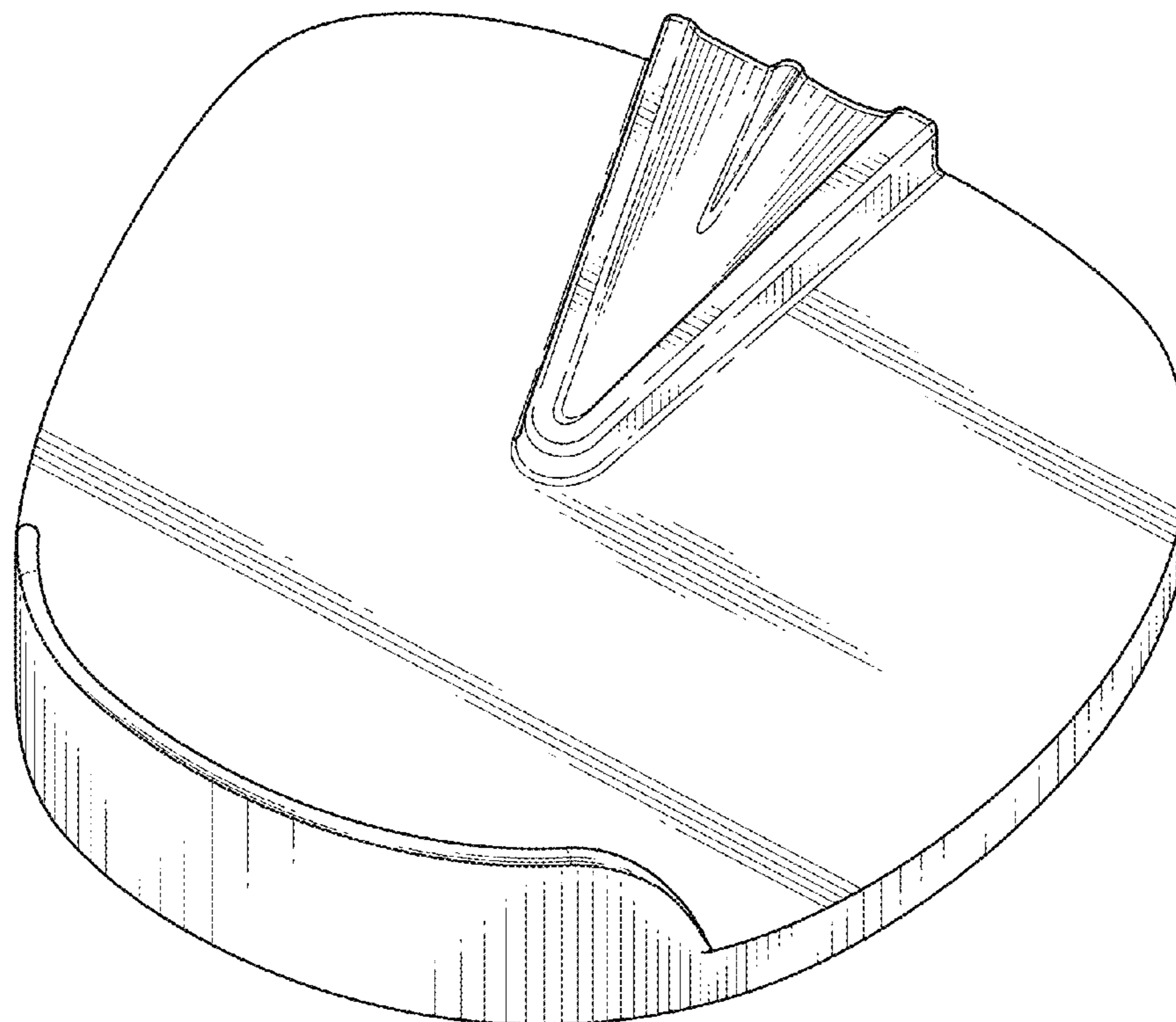
(57) **CLAIM**

The ornamental design for an equine boot orthotic pad, as shown and described.

DESCRIPTION

FIG. 1 is top side perspective view of an equine boot orthotic pad showing my new design;
FIG. 2 is a front side view thereof;
FIG. 3 is a rear side view thereof;
FIG. 4 is a left side view thereof;
FIG. 5 is a right side view thereof;
FIG. 6 is a top view thereof; and,
FIG. 7 is a bottom view thereof.

1 Claim, 4 Drawing Sheets



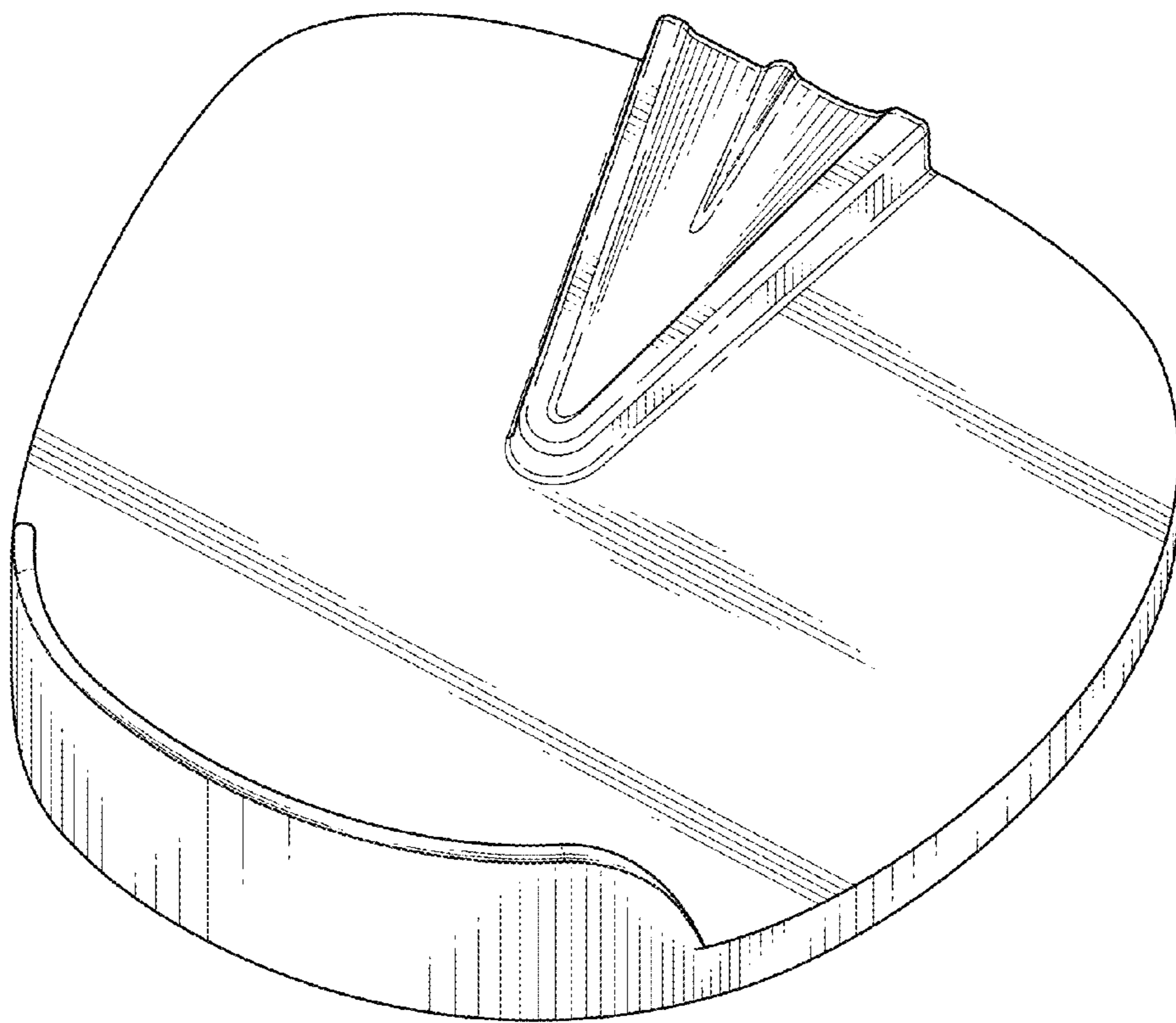


FIG. 1

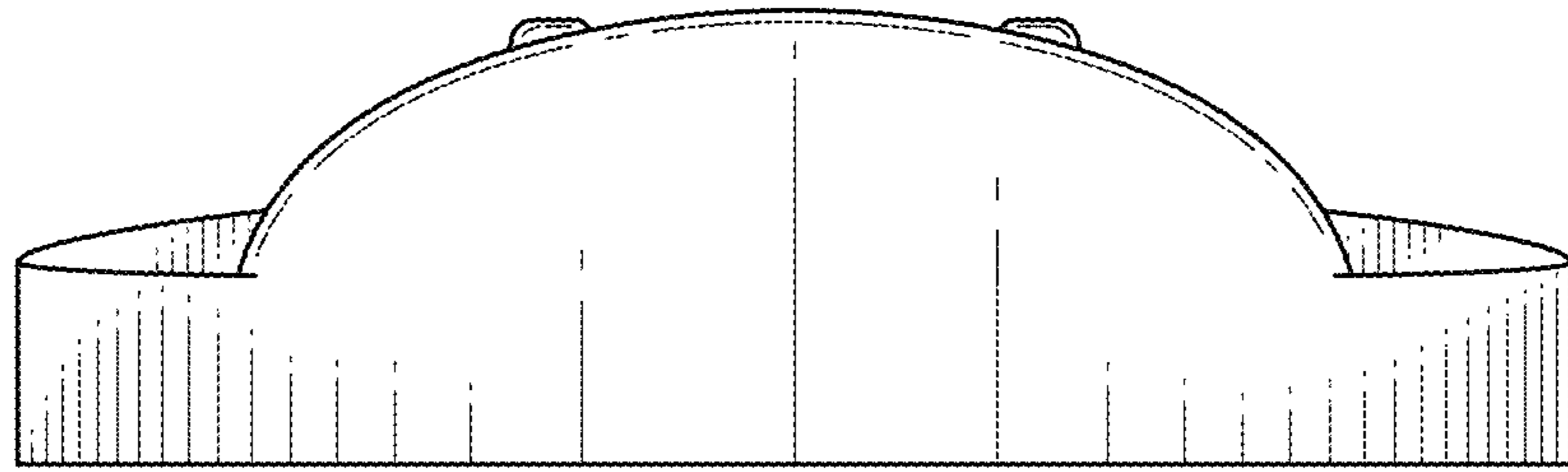


FIG. 2

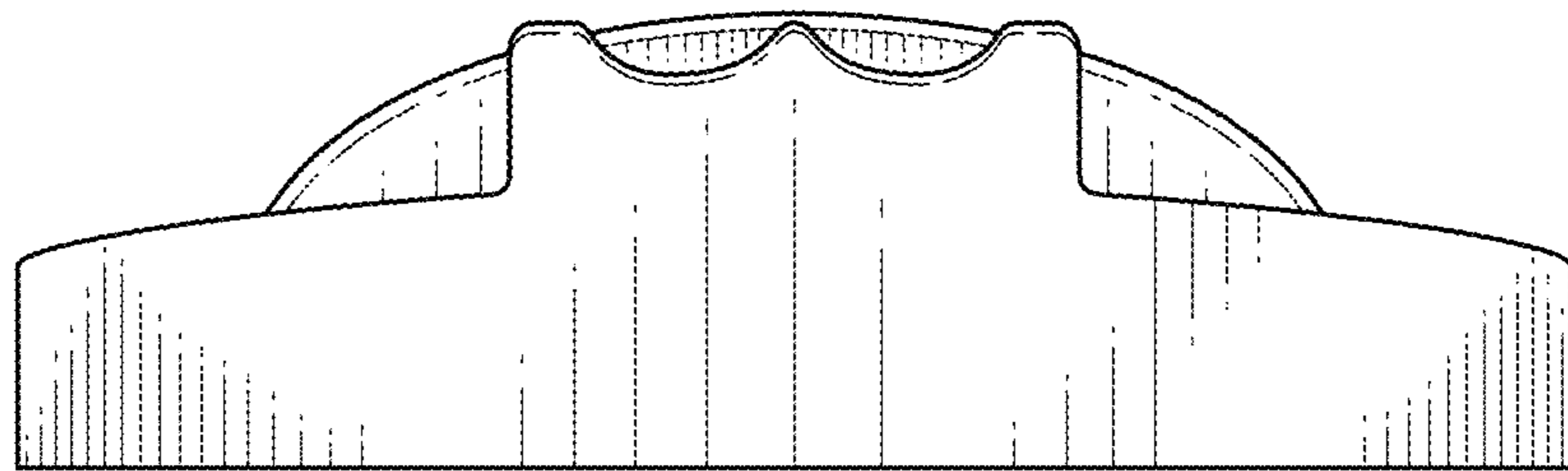


FIG. 3

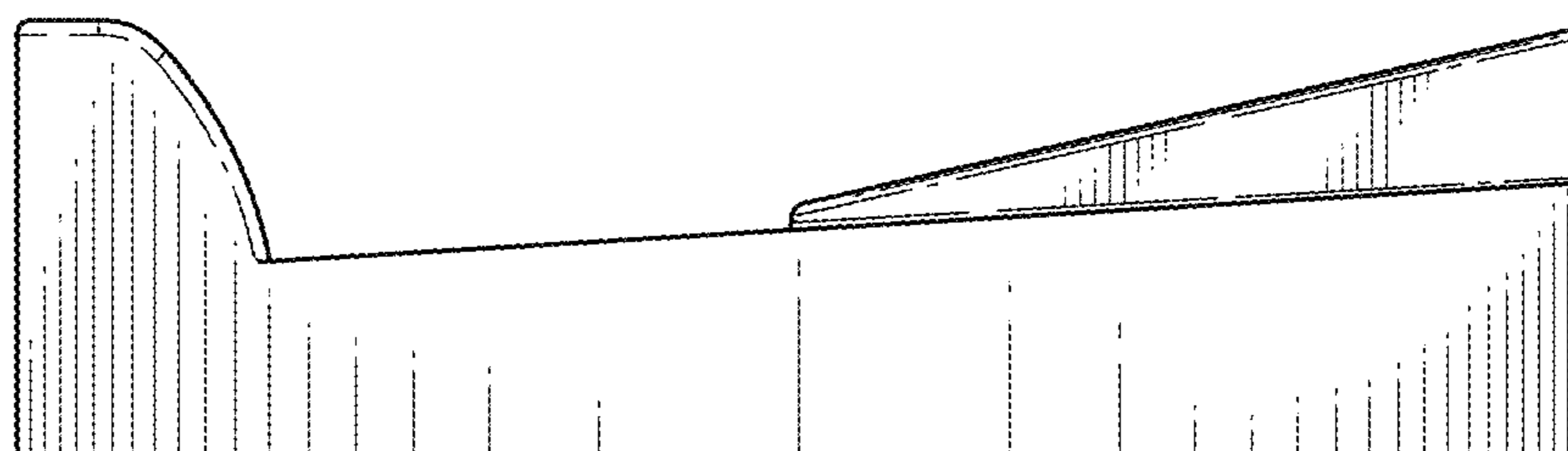


FIG. 4

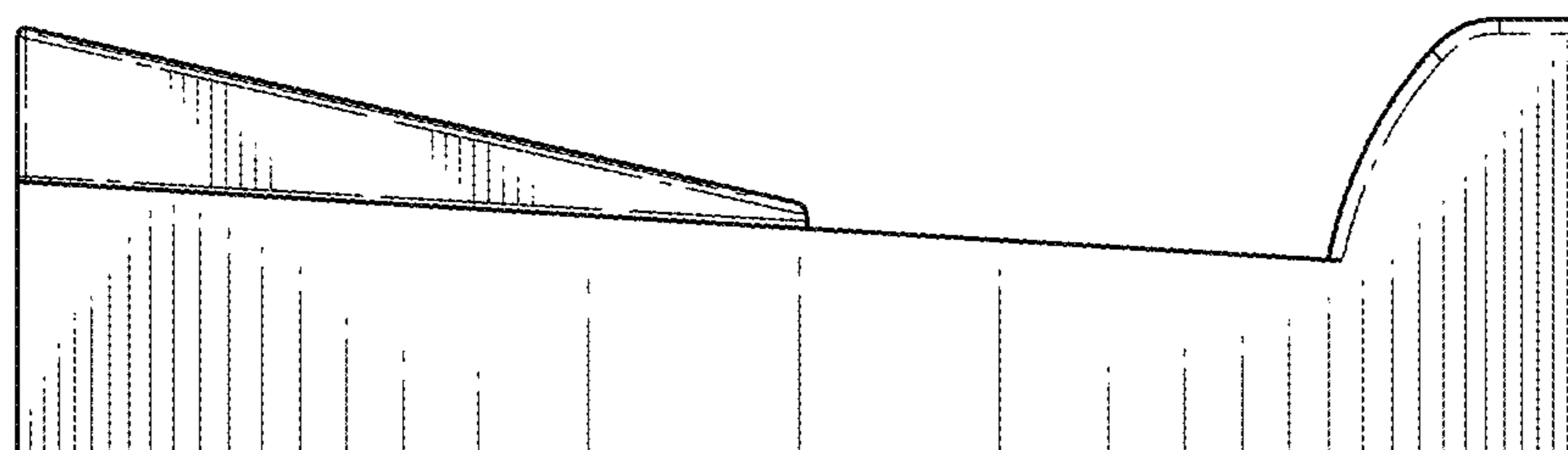


FIG. 5

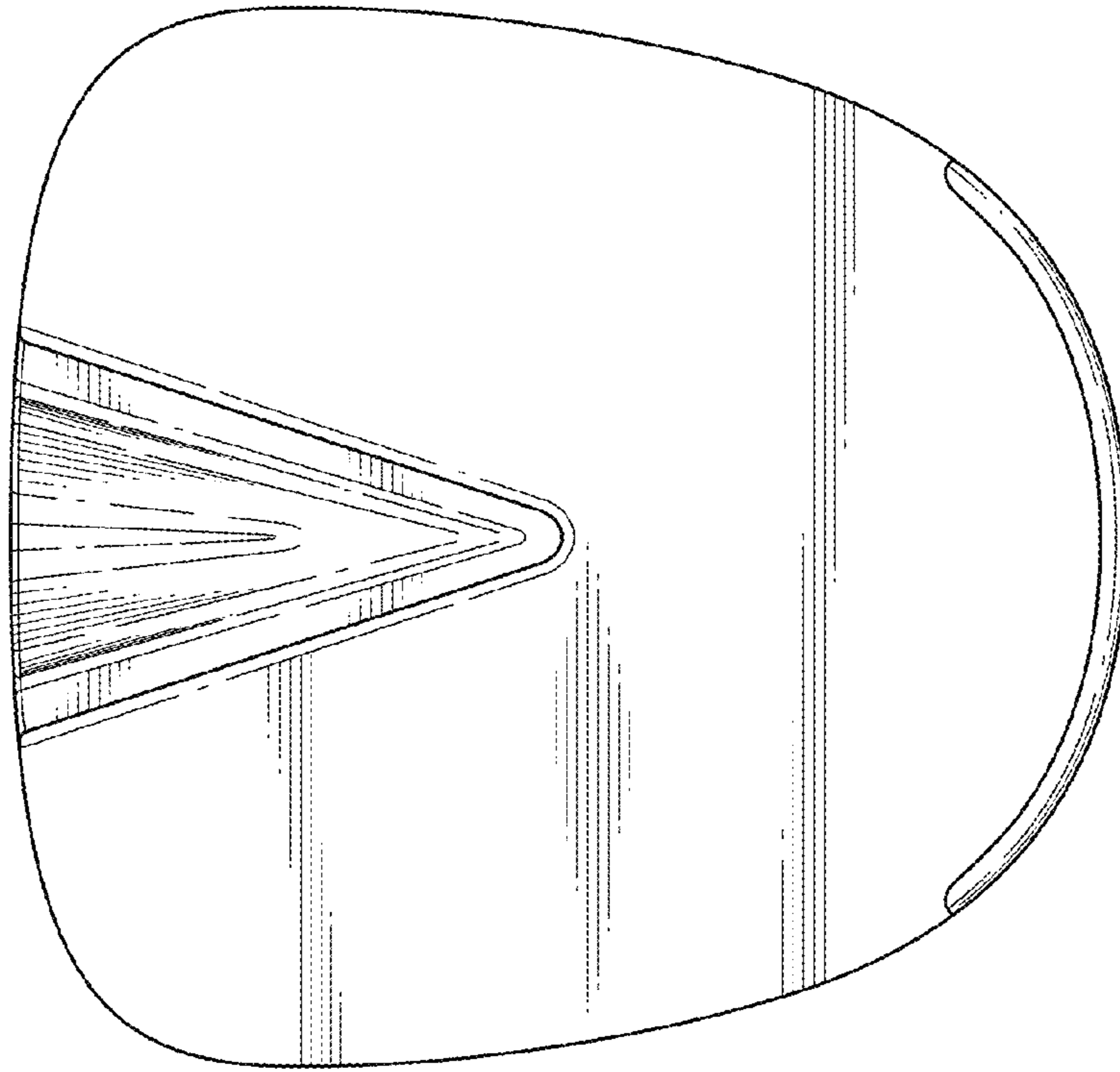


FIG. 6

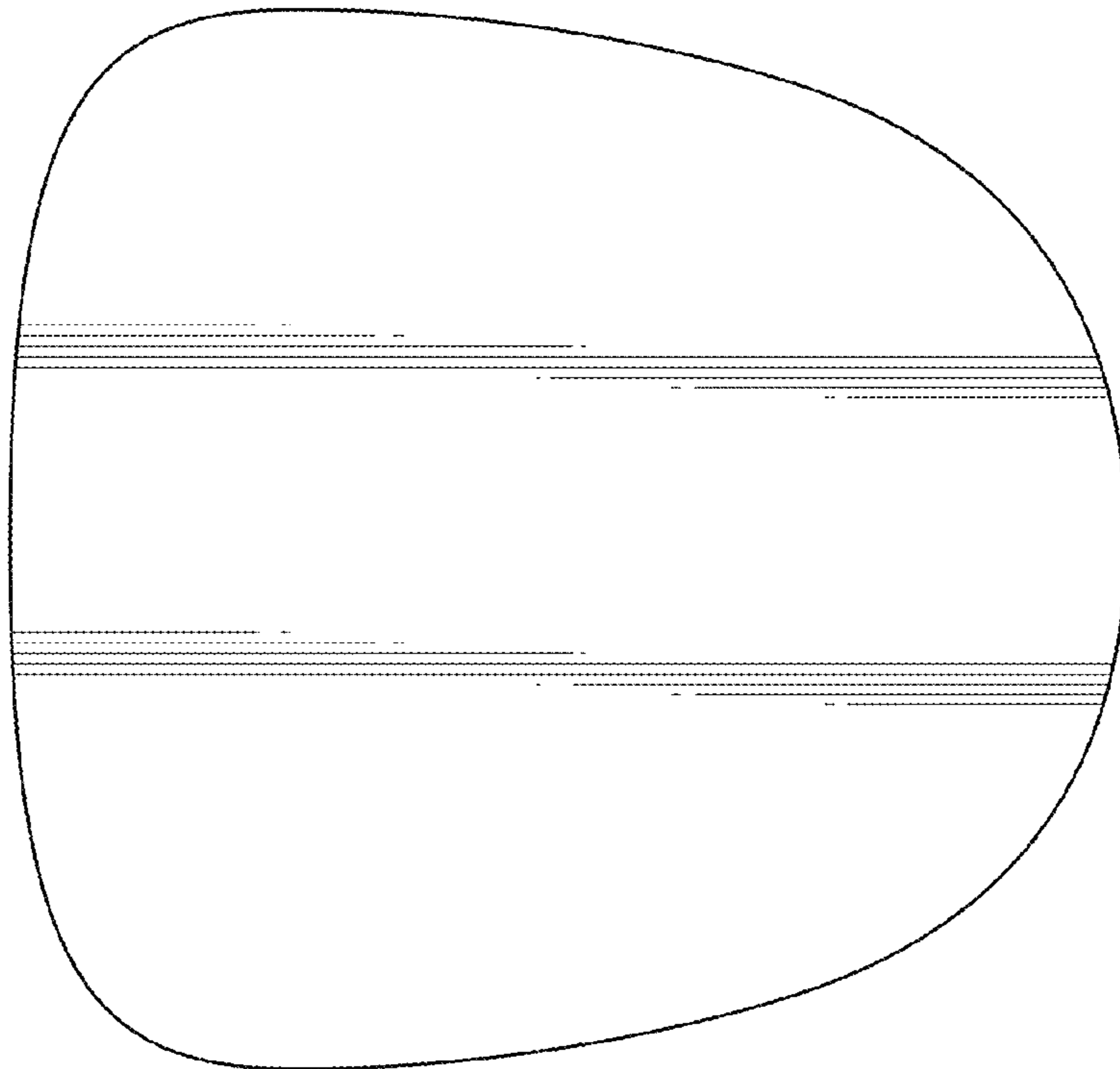


FIG. 7