



US00D709653S

(12) **United States Design Patent**  
**Lebel et al.**

(10) **Patent No.:** **US D709,653 S**  
(45) **Date of Patent:** **\*\* Jul. 22, 2014**

- (54) **HELMET MANDIBLE**
- (71) Applicant: **Revision Military Inc.**, Montreal (CA)
- (72) Inventors: **Stéphane Lebel**, St. Redempteur (CA);  
**Marie-Pierre Gendron**, Mercier (CA);  
**Martin Bélanger**, Quebec City (CA);  
**Richard Coomber**, Montreal (CA);  
**Stéphan Morency**, Montreal (CA)
- (73) Assignee: **Revision Military Inc.**, Montreal (CA)
- (\*\*) Term: **14 Years**
- (21) Appl. No.: **29/457,616**
- (22) Filed: **Jun. 11, 2013**

**Related U.S. Application Data**

- (63) Continuation of application No. 29/356,229, filed on Feb. 22, 2010.
- (51) **LOC (10) Cl.** ..... **29-02**
- (52) **U.S. Cl.**  
USPC ..... **D29/122**
- (58) **Field of Classification Search**  
USPC ..... D29/100, 102, 105, 106, 108, 122;  
D2/865, 881; D24/110.1; 2/455, 456,  
2/410, 422, 424, 425, 15, 426, 427, 9,  
2/468, 411-414, 206; 128/857, 858,  
128/201.23, 206.19; 267/142, 143, 144,  
267/145, 146  
See application file for complete search history.

(56) **References Cited**

**U.S. PATENT DOCUMENTS**

- 1,297,842 A \* 3/1919 Harlee ..... 128/857
- 1,715,740 A \* 6/1929 Cervelli ..... 607/109

- D132,184 S 4/1942 Lyon
- 2,867,811 A \* 1/1959 Jones ..... 2/421
- 3,118,443 A 1/1964 Dykinga
- 3,216,023 A \* 11/1965 Morgan ..... 2/9

(Continued)

**FOREIGN PATENT DOCUMENTS**

WO WO 2011/028966 A2 3/2011

**OTHER PUBLICATIONS**

Notice of Allowance mailed Jul. 8, 2013 for U.S. Appl. No. 29/356,229.

*Primary Examiner* — Elizabeth J Oswecki

(74) *Attorney, Agent, or Firm* — Wolf, Greenfield & Sacks, P.C.

(57) **CLAIM**

The ornamental design for a helmet mandible, as shown and described.

**DESCRIPTION**

FIG. 1 is a perspective view of a helmet mandible showing our new design;

FIG. 2 is a left side view of the helmet mandible;

FIG. 3 is a right side view of the helmet mandible;

FIG. 4 is a rear view of the helmet mandible;

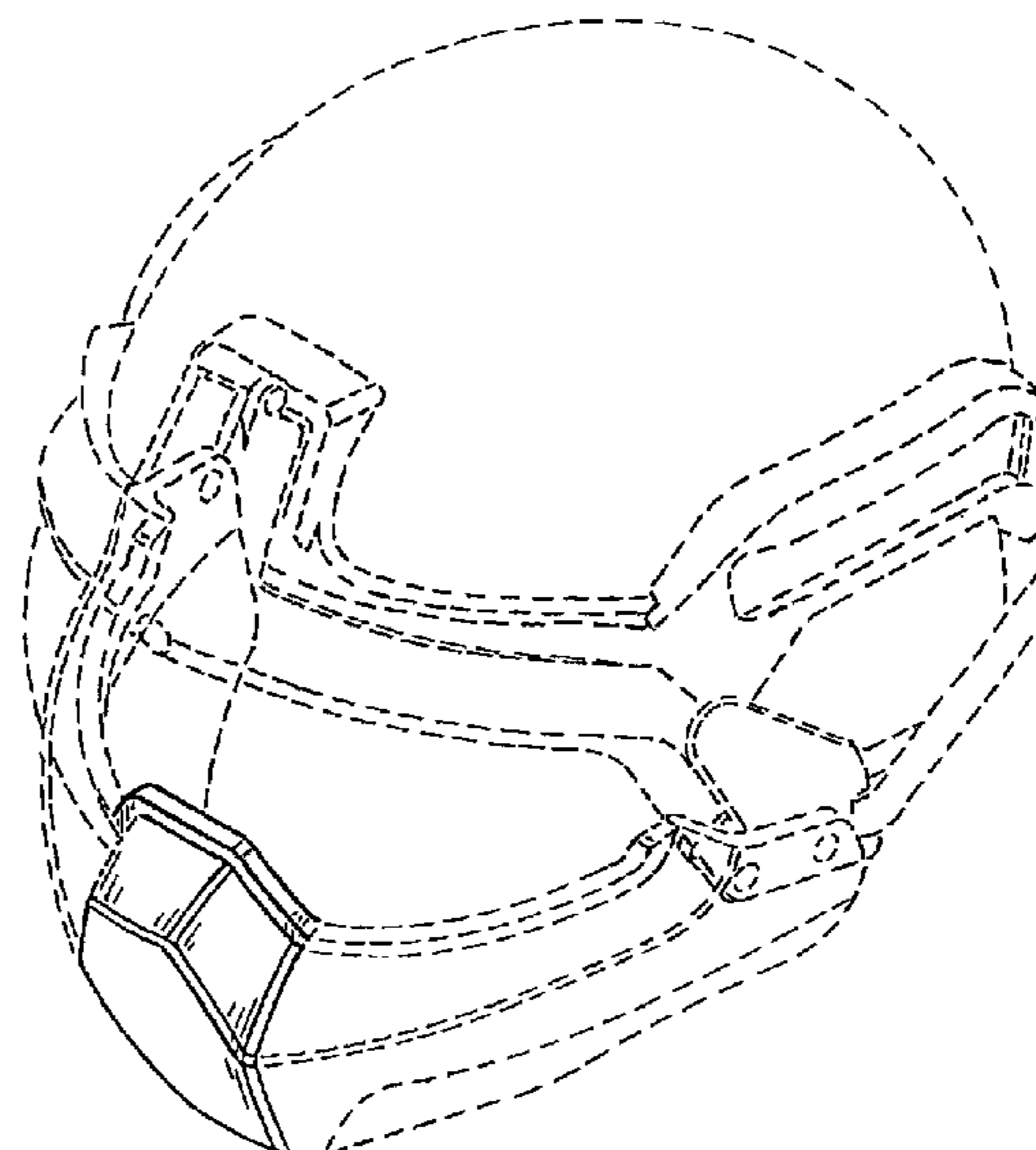
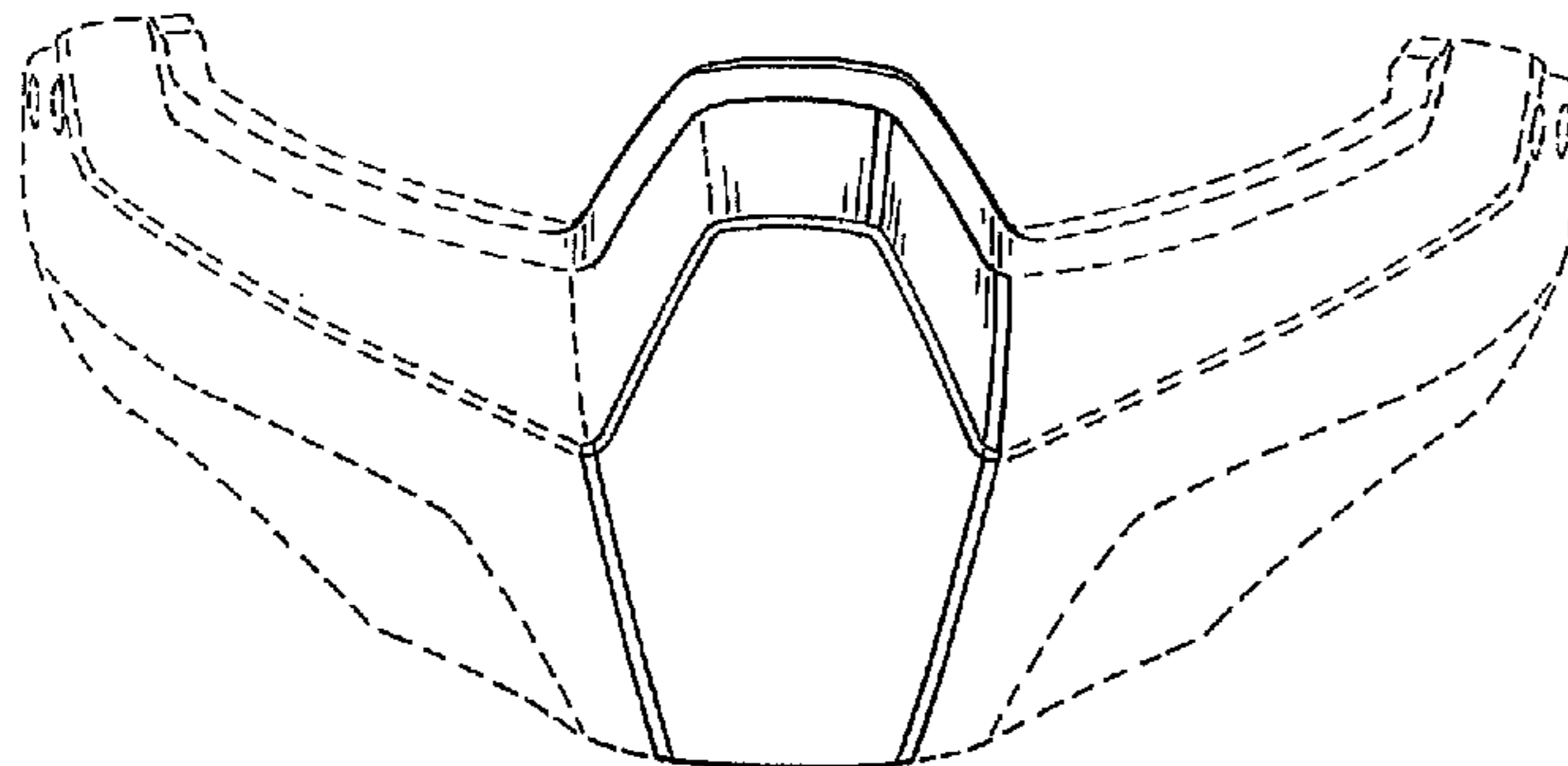
FIG. 5 is a front view of the helmet mandible;

FIG. 6 is a top view of the helmet mandible;

FIG. 7 is a bottom view of the helmet mandible; and,

FIG. 8 is a perspective view of the helmet mandible of FIG. 1 attached to a helmet assembly shown in broken lines, the helmet assembly forming no part of the claimed design. The broken lines shown in the drawings represent portions of the helmet mandible that form no part of the claimed design. The dashed-dot-dashed lines represent the boundary line of the claimed design.

**1 Claim, 4 Drawing Sheets**



(56)

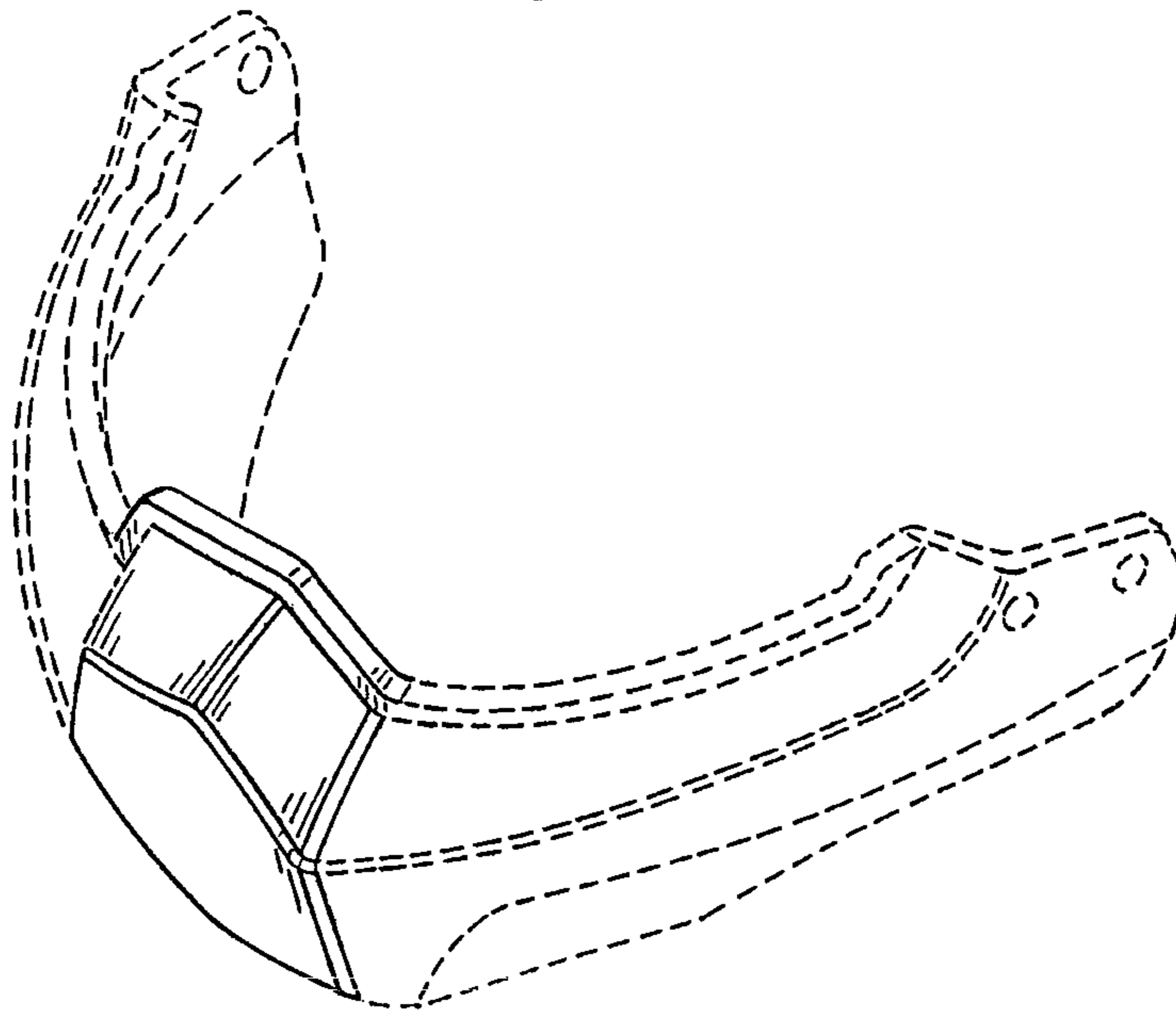
References Cited

U.S. PATENT DOCUMENTS

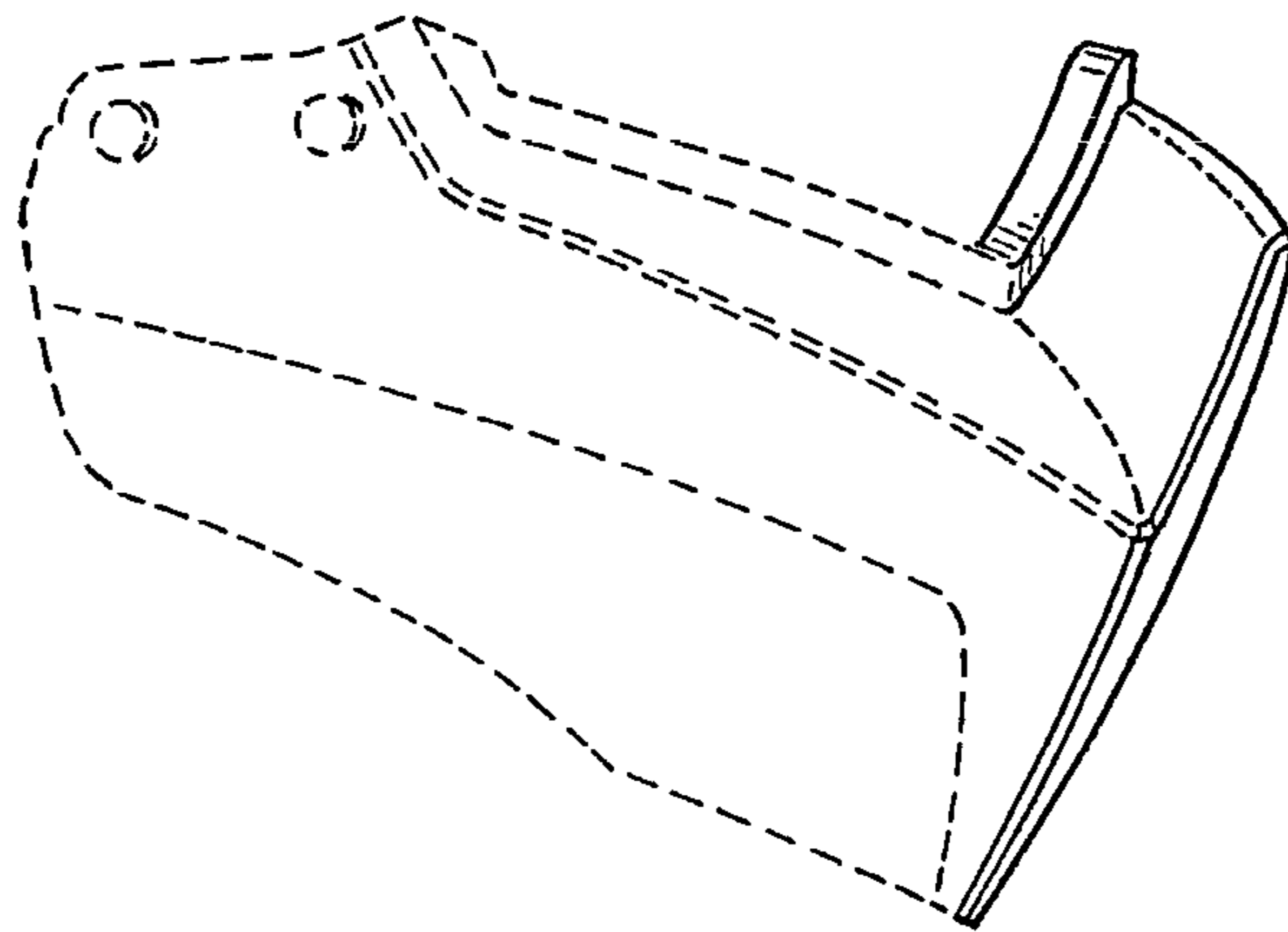
D207,900 S	6/1967	Feldmann et al.	D527,847 S	9/2006	Broersma
3,572,329 A	3/1971	Woskin	D535,061 S	1/2007	Evans et al.
3,619,813 A	11/1971	Marchello	D536,833 S	2/2007	Broersma
D229,127 S	11/1973	Franklin et al.	D548,893 S	8/2007	Hedge et al.
D243,128 S	1/1977	Morgan	D556,384 S	11/2007	Dupuis
D246,012 S	10/1977	Minette	D556,386 S	11/2007	Lee
D267,128 S	12/1982	Pearce	D560,315 S	1/2008	Wong
D268,220 S	3/1983	Gooding	7,555,788 B2	7/2009	Schimpf
D283,940 S	5/1986	Bally	D601,308 S	9/2009	Broersma
D284,327 S	6/1986	Gregory et al.	D606,707 S	12/2009	Schiebl
4,651,356 A	3/1987	Zide	D620,205 S	7/2010	Schiebl
5,717,993 A	2/1998	Roberts	D632,439 S	2/2011	Lebel et al.
5,794,274 A	8/1998	Kraemer	D632,440 S	2/2011	Lebel et al.
6,289,521 B1	9/2001	Ikeda	7,886,370 B2	2/2011	Winningham
6,298,483 B1	10/2001	Schiebl et al.	D638,168 S	5/2011	Lebel et al.
6,363,528 B1	4/2002	Cyr	D638,172 S	5/2011	Lebel et al.
6,381,749 B1	5/2002	Cyr	D657,497 S *	4/2012	Schiebl ..... D29/108
6,381,757 B2	5/2002	Rush, III	2002/0148033 A1	10/2002	Dufresne
D471,675 S *	3/2003	Ikeda ..... D29/122	2004/0003452 A1 *	1/2004	Schiebl ..... 2/421
D485,648 S	1/2004	Masterson	2007/0083967 A1	4/2007	Crossman et al.
D488,264 S	4/2004	Masterson	2007/0124842 A1 *	6/2007	Nascimento et al. .... 2/9
D510,644 S	10/2005	Batstone	2007/0250993 A1	11/2007	Schimpf
7,024,704 B2	4/2006	Gafforio et al.	2008/0086795 A1	4/2008	Cyr et al.
D521,688 S	5/2006	Makris et al.	2009/0107514 A1 *	4/2009	Winningham ..... 128/857
D526,449 S *	8/2006	Dawson et al. .... D29/122	2009/0144872 A1	6/2009	Lebel et al.
D526,746 S	8/2006	Wong	2009/0229043 A1	9/2009	Cyr
			2010/0064405 A1	3/2010	McGovern
			2012/0204331 A1	8/2012	Lebel et al.

\* cited by examiner

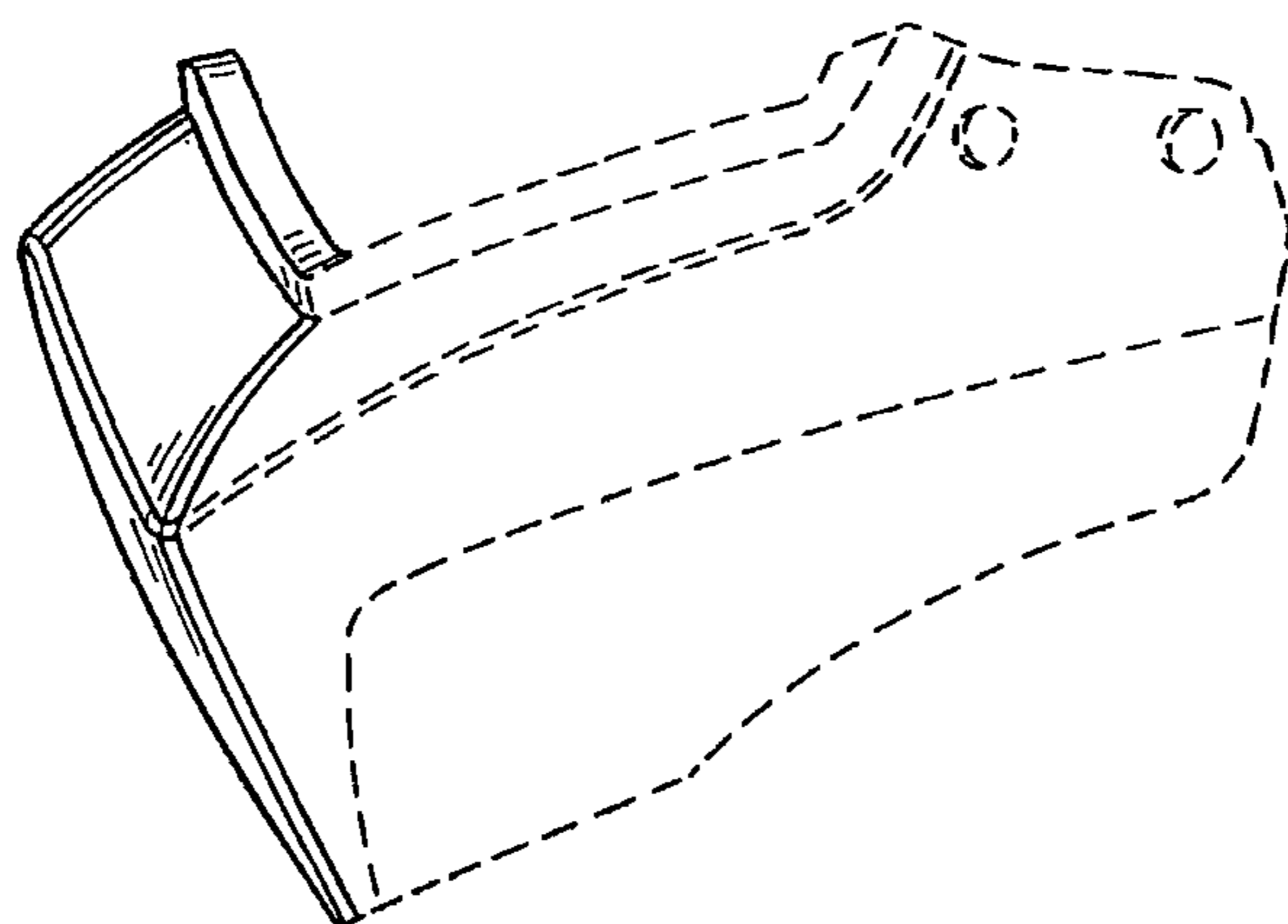
*FIG. 1*



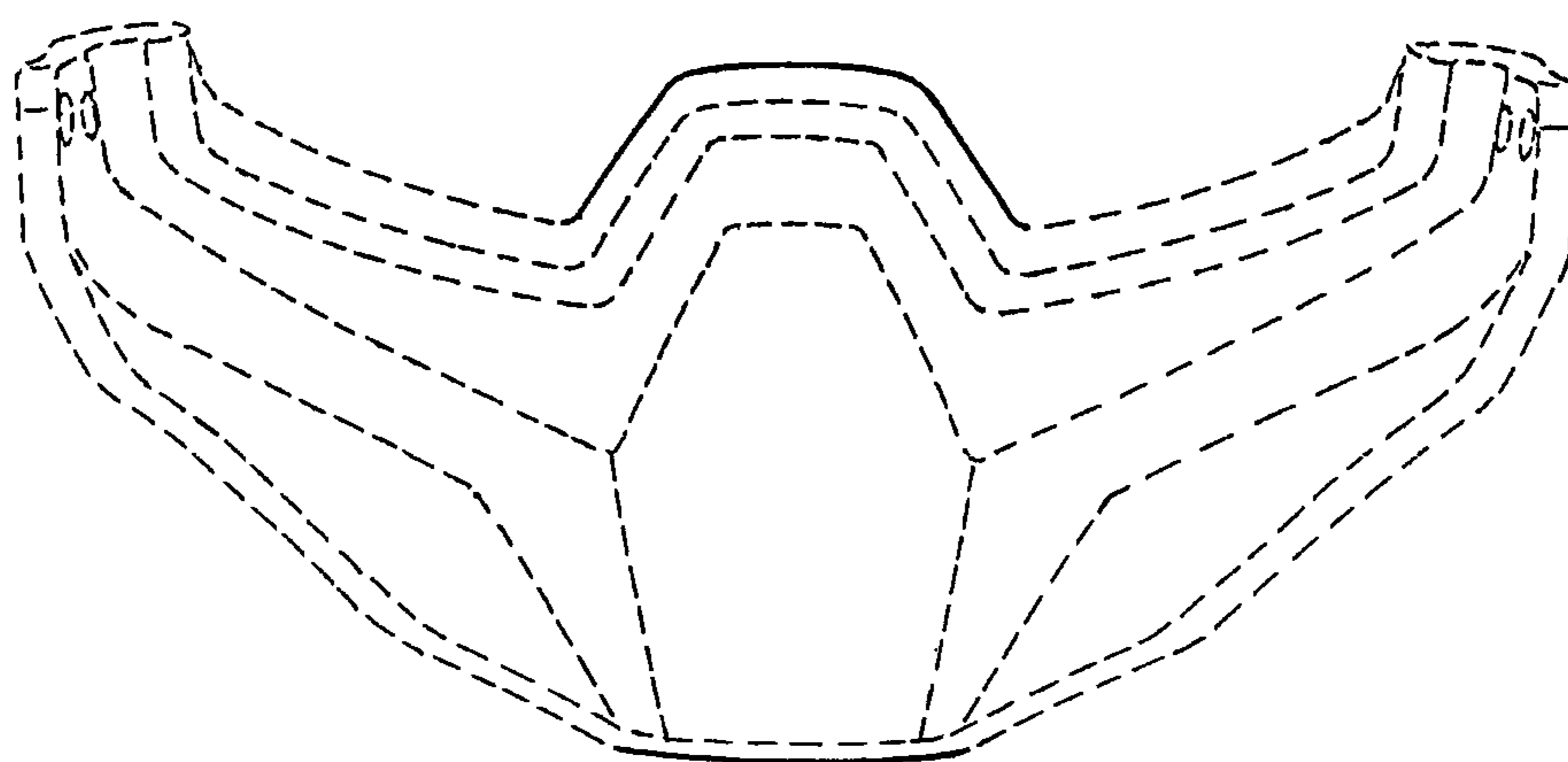
*FIG. 2*



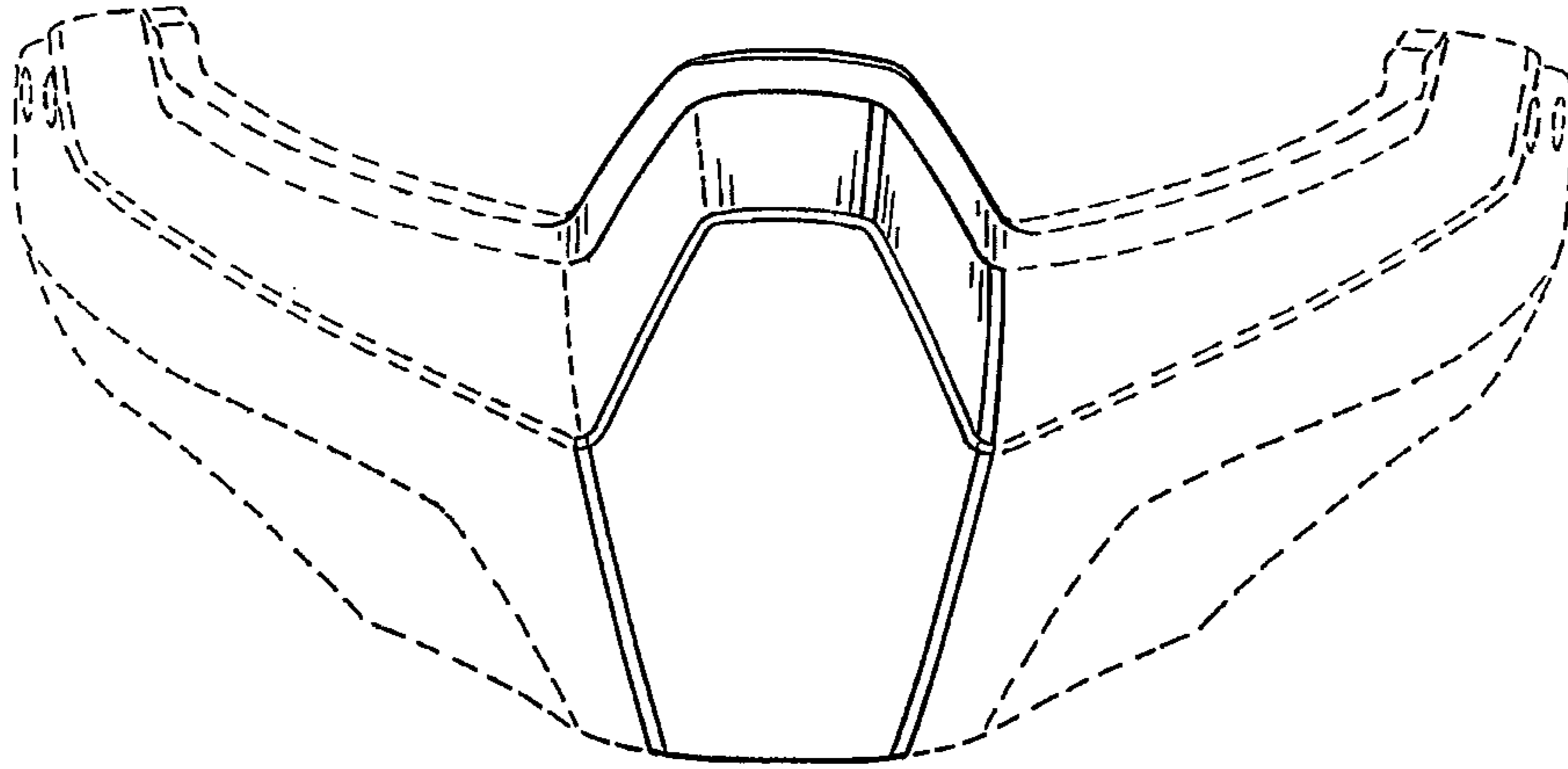
*FIG. 3*



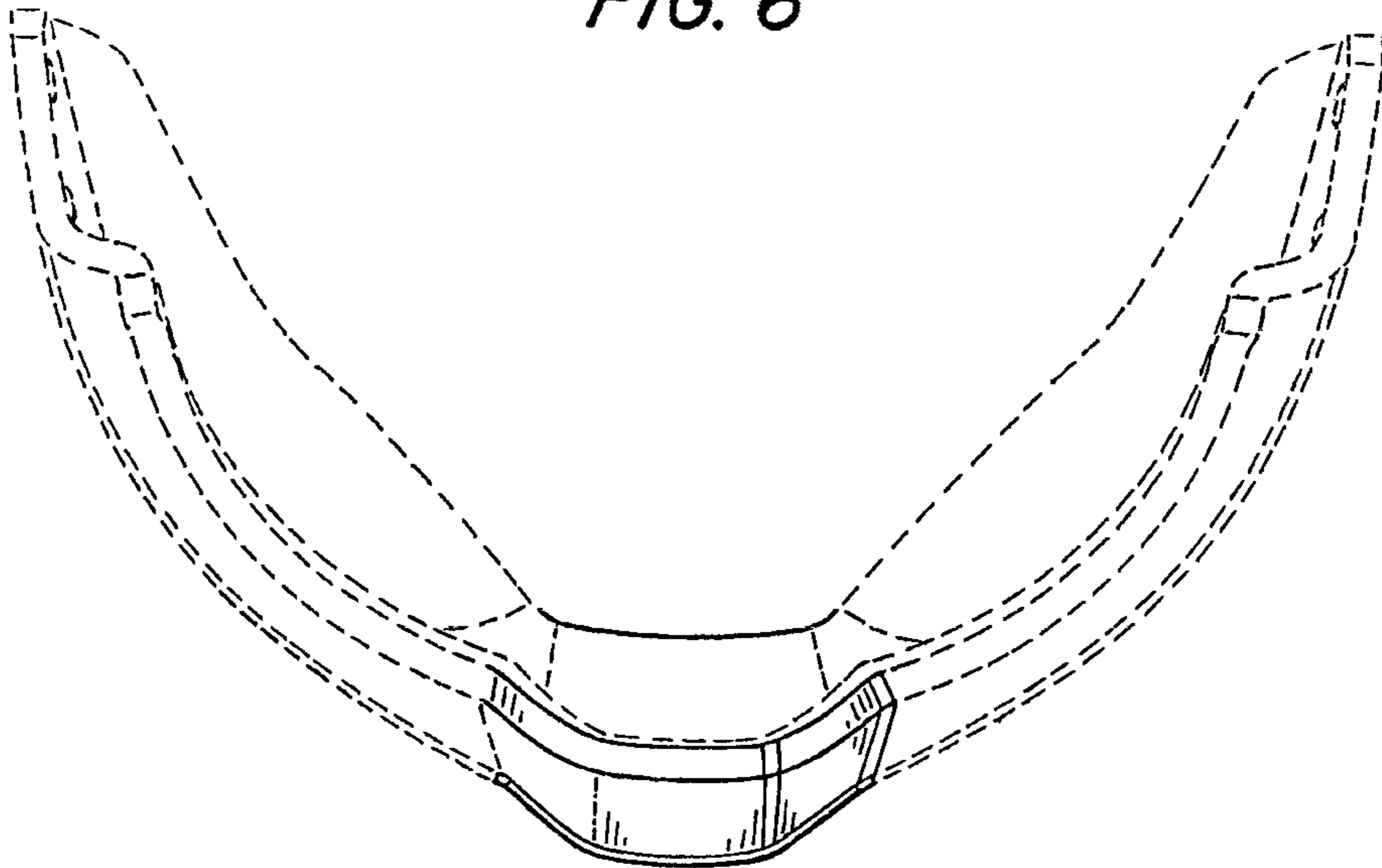
*FIG. 4*



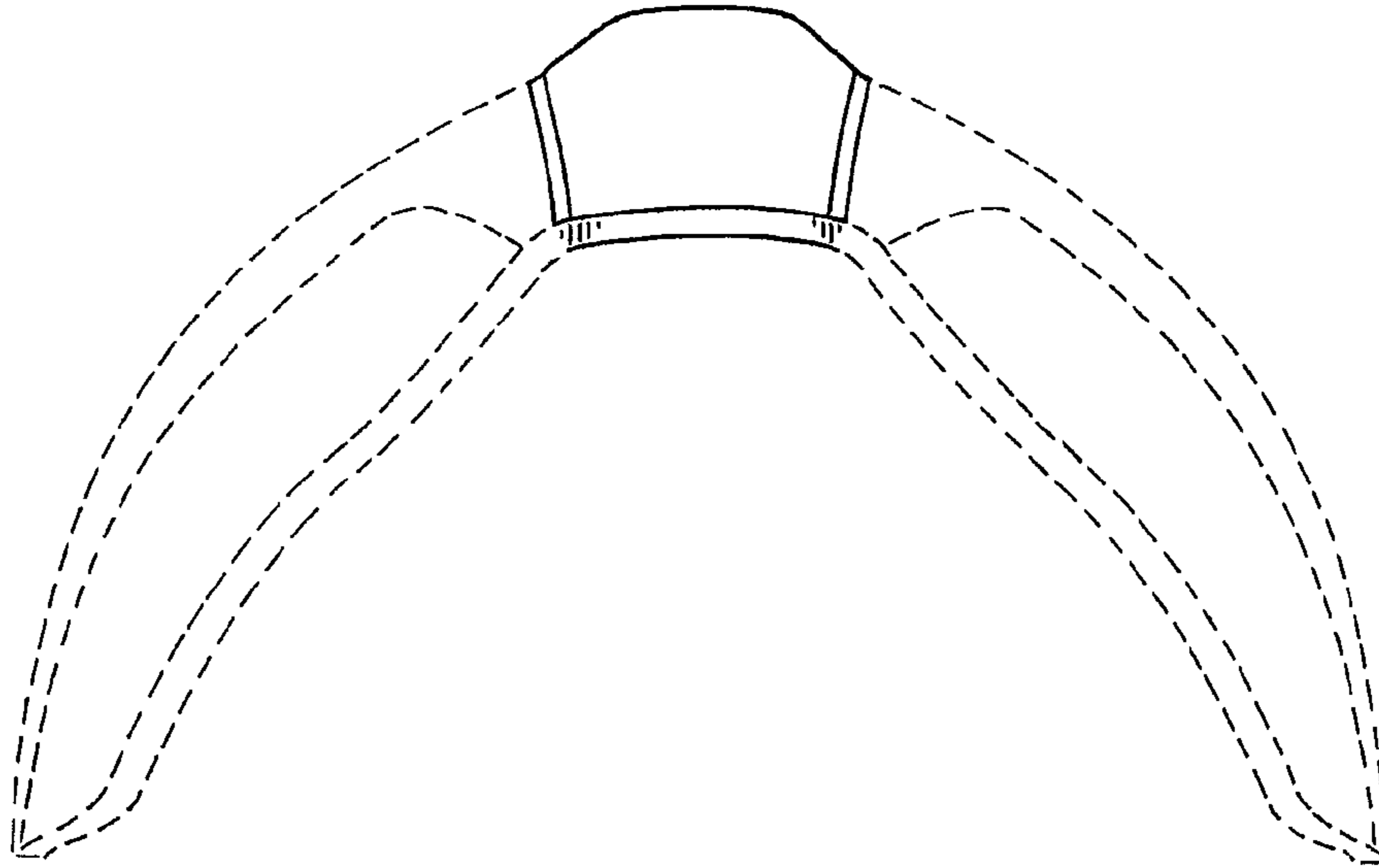
*FIG. 5*



*FIG. 6*



*FIG. 7*



*FIG. 8*

