



US00D709652S

(12) **United States Design Patent**
Teller

(10) **Patent No.:** **US D709,652 S**
(45) **Date of Patent:** **** Jul. 22, 2014**

- (54) **LIP GLOSS**
- (71) Applicant: **The Kind Group**, New York, NY (US)
- (72) Inventor: **Jonathan Teller**, New York, NY (US)
- (73) Assignee: **The Kind Group LLC**, New York, NY (US)

D484,646	S	*	12/2003	Ditrichstein	D28/83
D504,979	S	*	5/2005	Lai	D28/76
D630,514	S	*	1/2011	Niikura et al.	D9/504
8,221,018	B2	*	7/2012	Steinhagen et al.	401/216
8,356,952	B2	*	1/2013	Bennett et al.	401/213
2004/0005186	A1	*	1/2004	Ueda et al.	401/194
2009/0052976	A1	*	2/2009	Thiebaut	401/202
2014/0013712	A1	*	1/2014	Teller	53/452

- (**) Term: **14 Years**
- (21) Appl. No.: **29/437,671**

FOREIGN PATENT DOCUMENTS

DE	10047448	B4	*	7/2006
GB	446424	A	*	10/1935

* cited by examiner

- (22) Filed: **Nov. 20, 2012**
- (51) **LOC (10) Cl.** **28-03**
- (52) **U.S. Cl.**
USPC **D28/85**; D28/83; D9/726
- (58) **Field of Classification Search**
CPC A45D 34/04; A45D 34/041; A45D 40/26;
A45D 40/261; A45D 33/12; A45D 34/06
USPC D28/76, 85-90, 77, 7, 83; 132/317,
132/320, 318; 206/581, 823, 385; 401/68,
401/88, 98, 126-130; D9/726, 503-504
See application file for complete search history.

Primary Examiner — Jennifer Rivard
(74) *Attorney, Agent, or Firm* — Brummett TechLaw PLLC

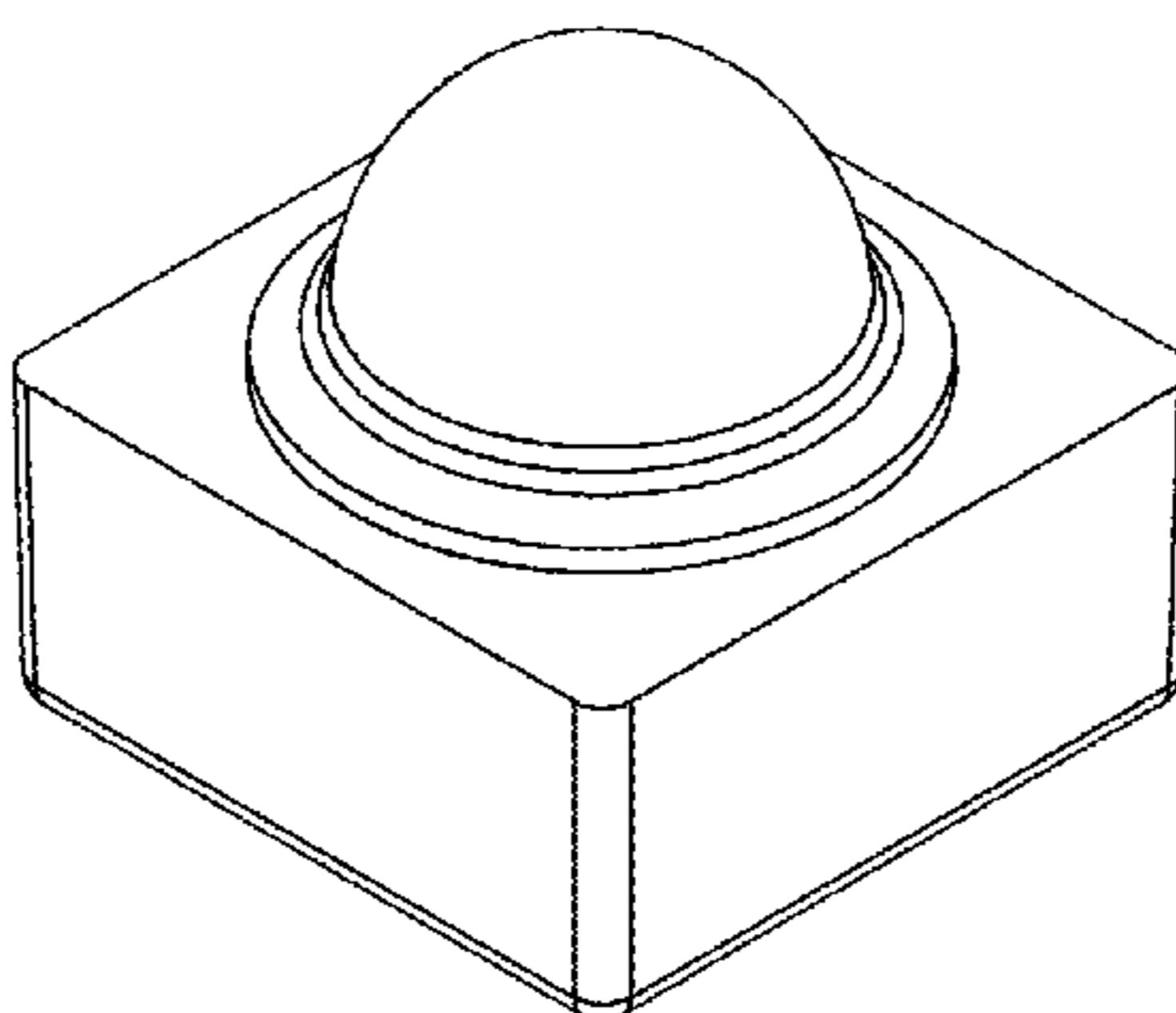
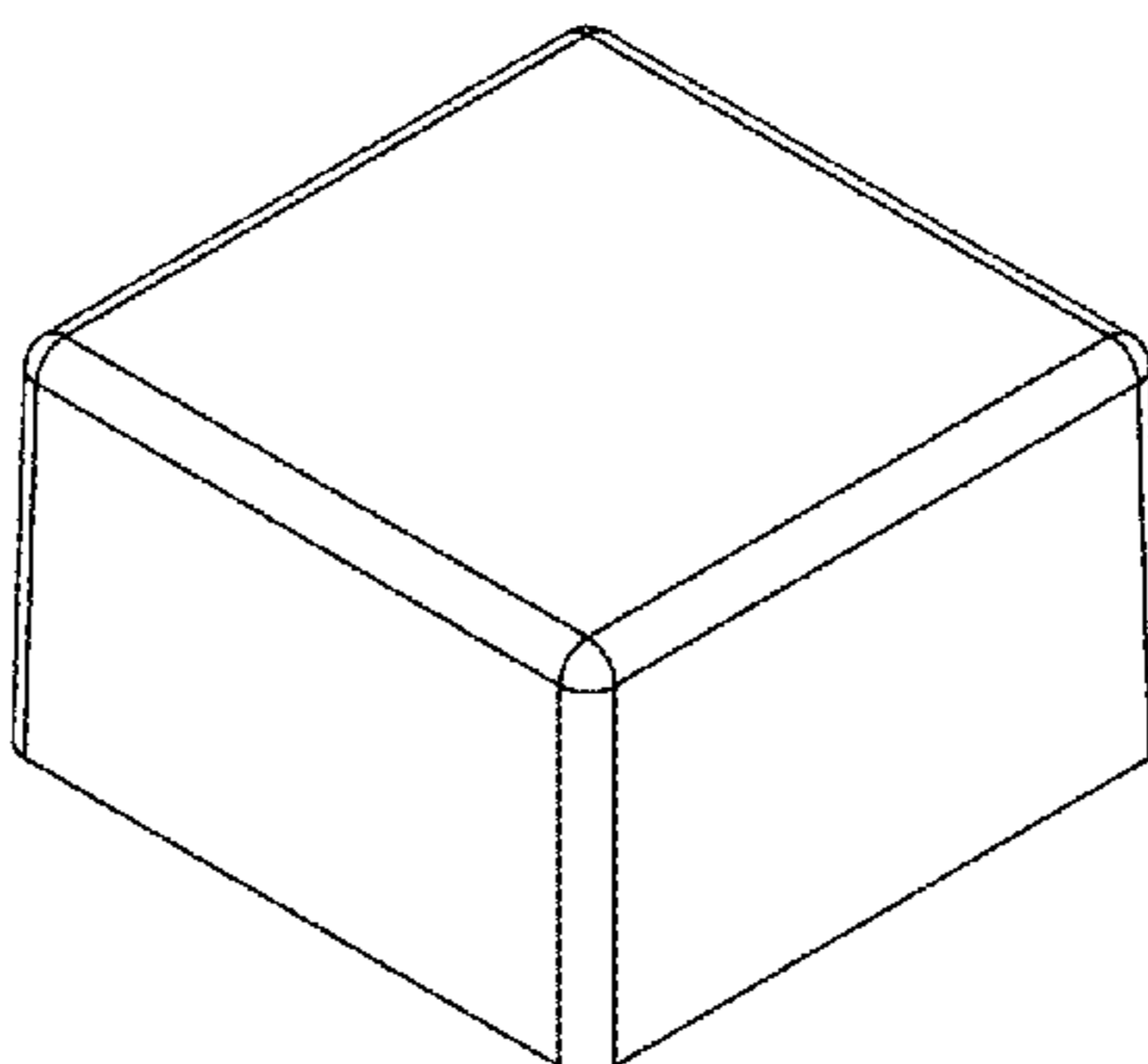
(57) **CLAIM**
The ornamental design for a lip gloss, substantially as shown.

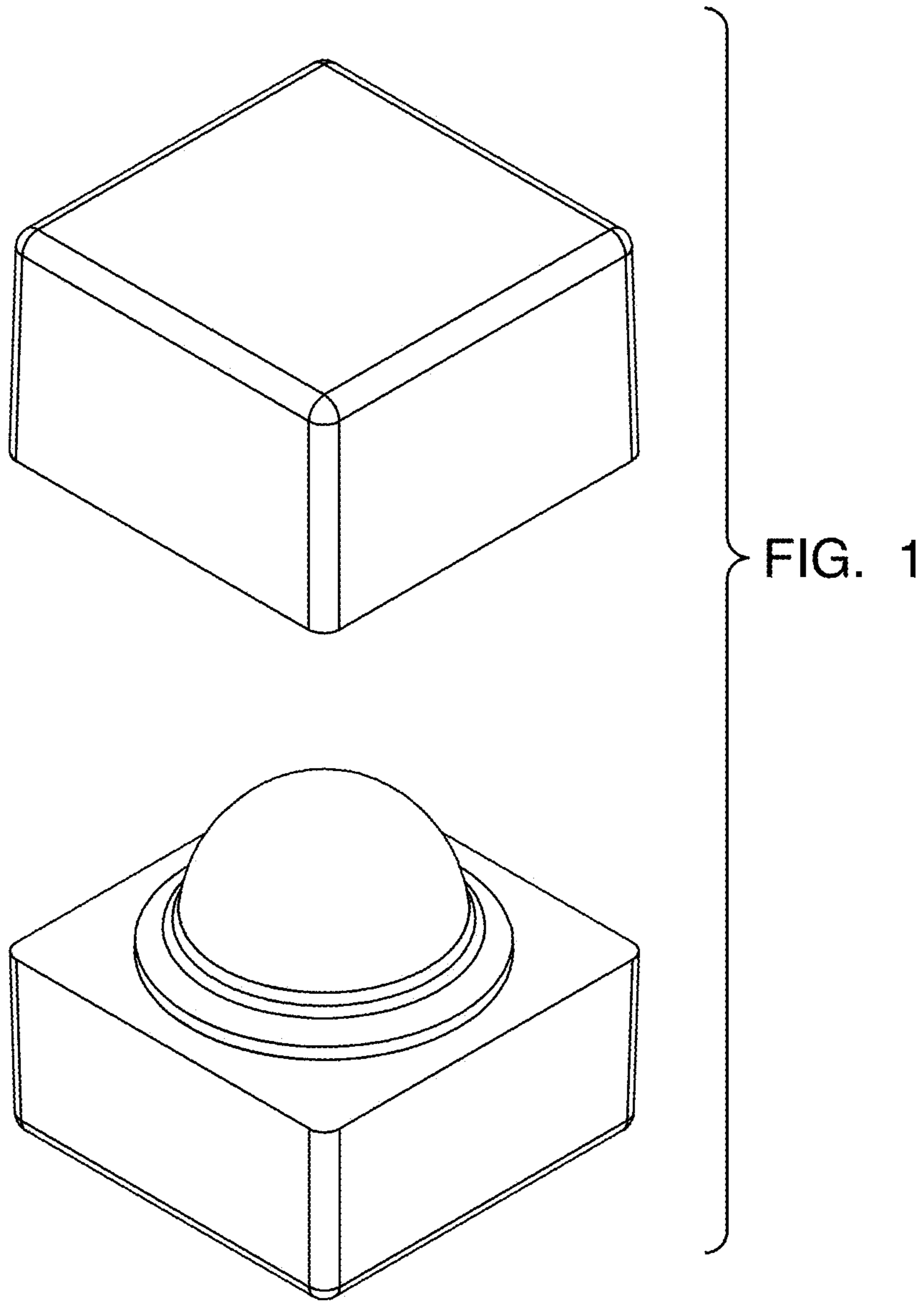
DESCRIPTION

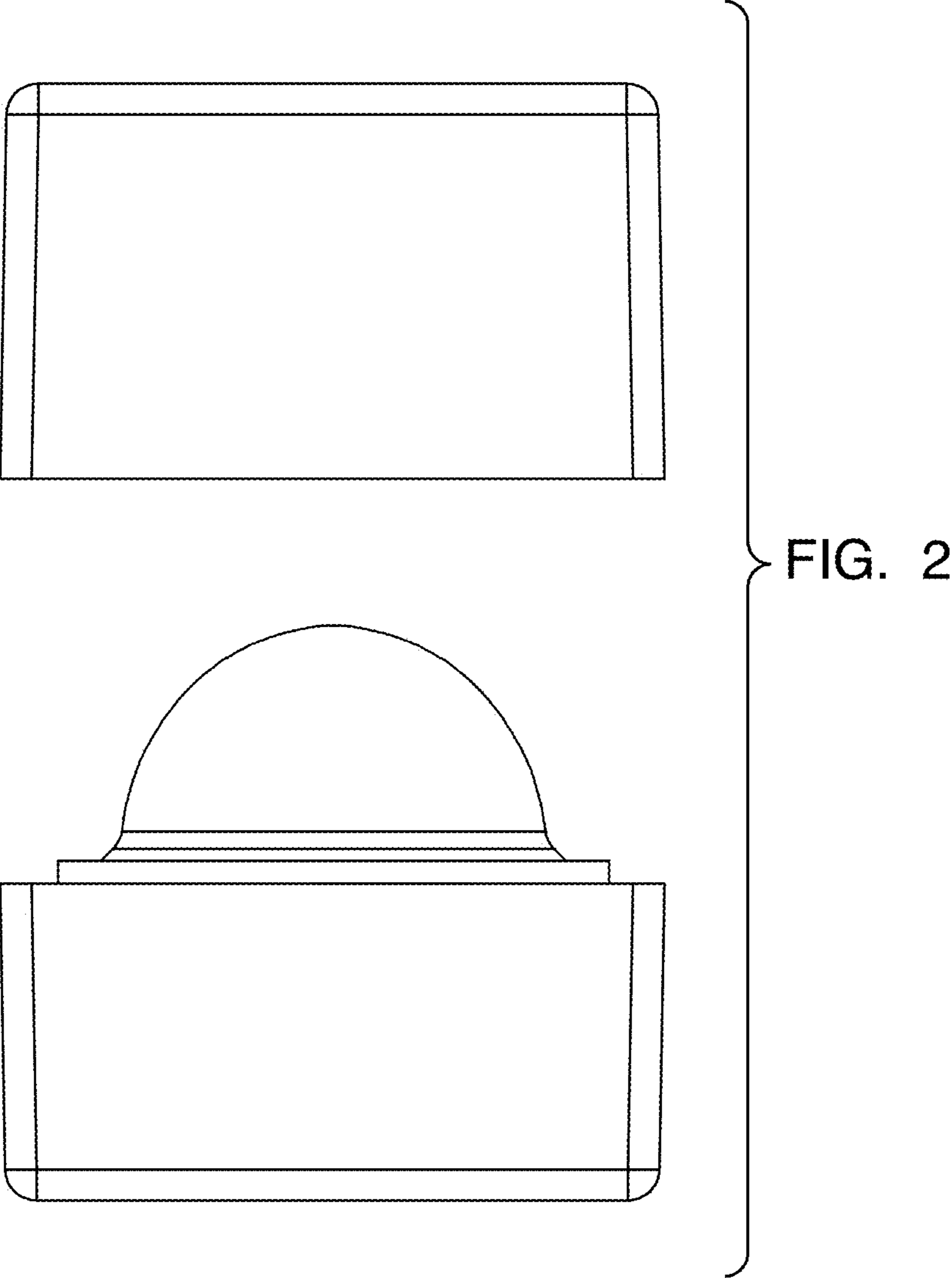
FIG. 1 is a front, top, right-hand side perspective view of a lip gloss comprising a new, original and ornamental design;
FIG. 2 is a front view thereof;
FIG. 3 is a right-hand side view thereof;
FIG. 4 is a left-hand side view thereof;
FIG. 5 is a rear view thereof;
FIG. 6 is a top view thereof; and,
FIG. 7 is a bottom view thereof.

- (56) **References Cited**
U.S. PATENT DOCUMENTS
4,811,726 A * 3/1989 Goncalves et al. 601/154
5,938,363 A * 8/1999 Timms et al. 401/209

1 Claim, 6 Drawing Sheets







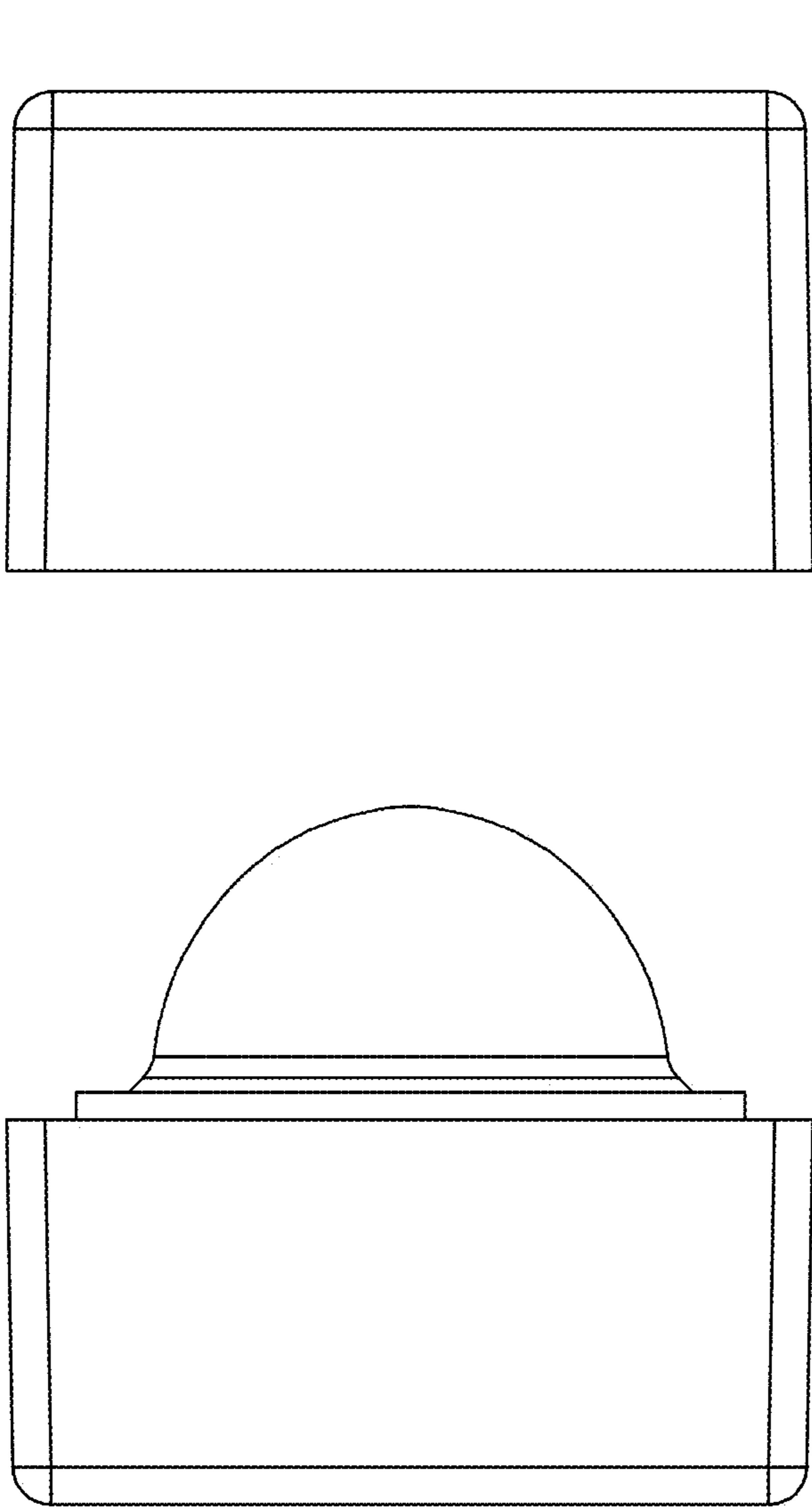


FIG. 3

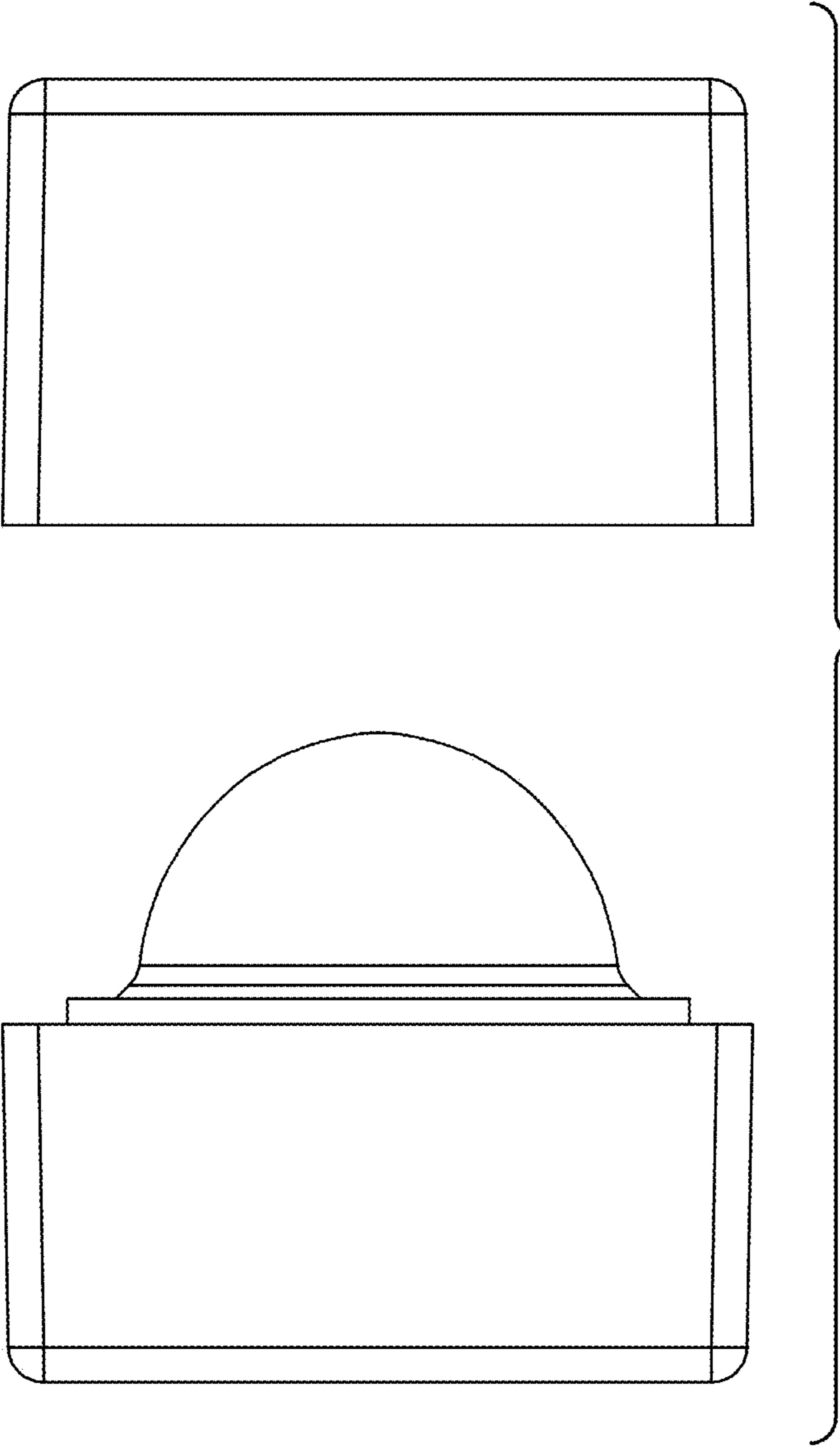


FIG. 4

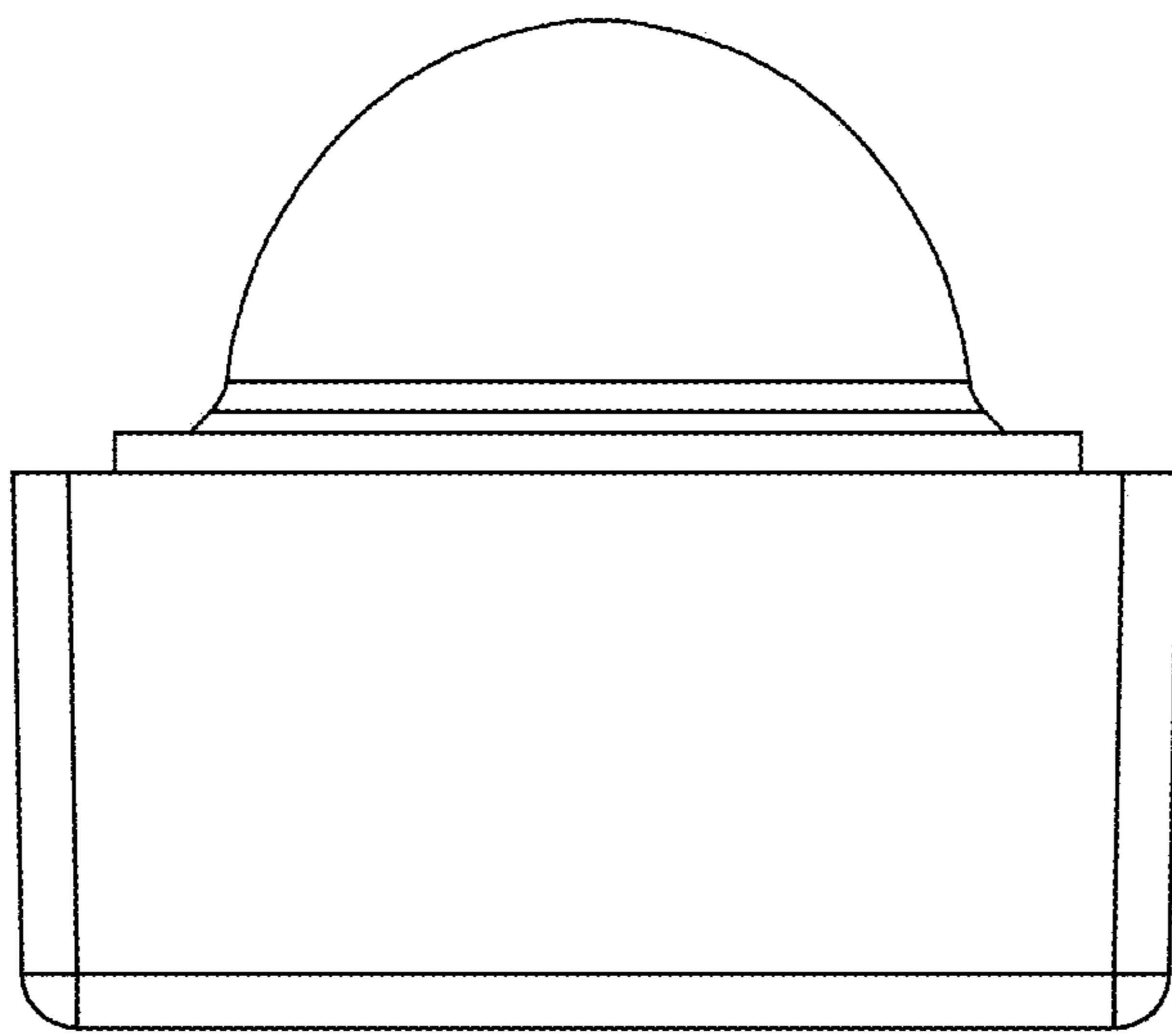
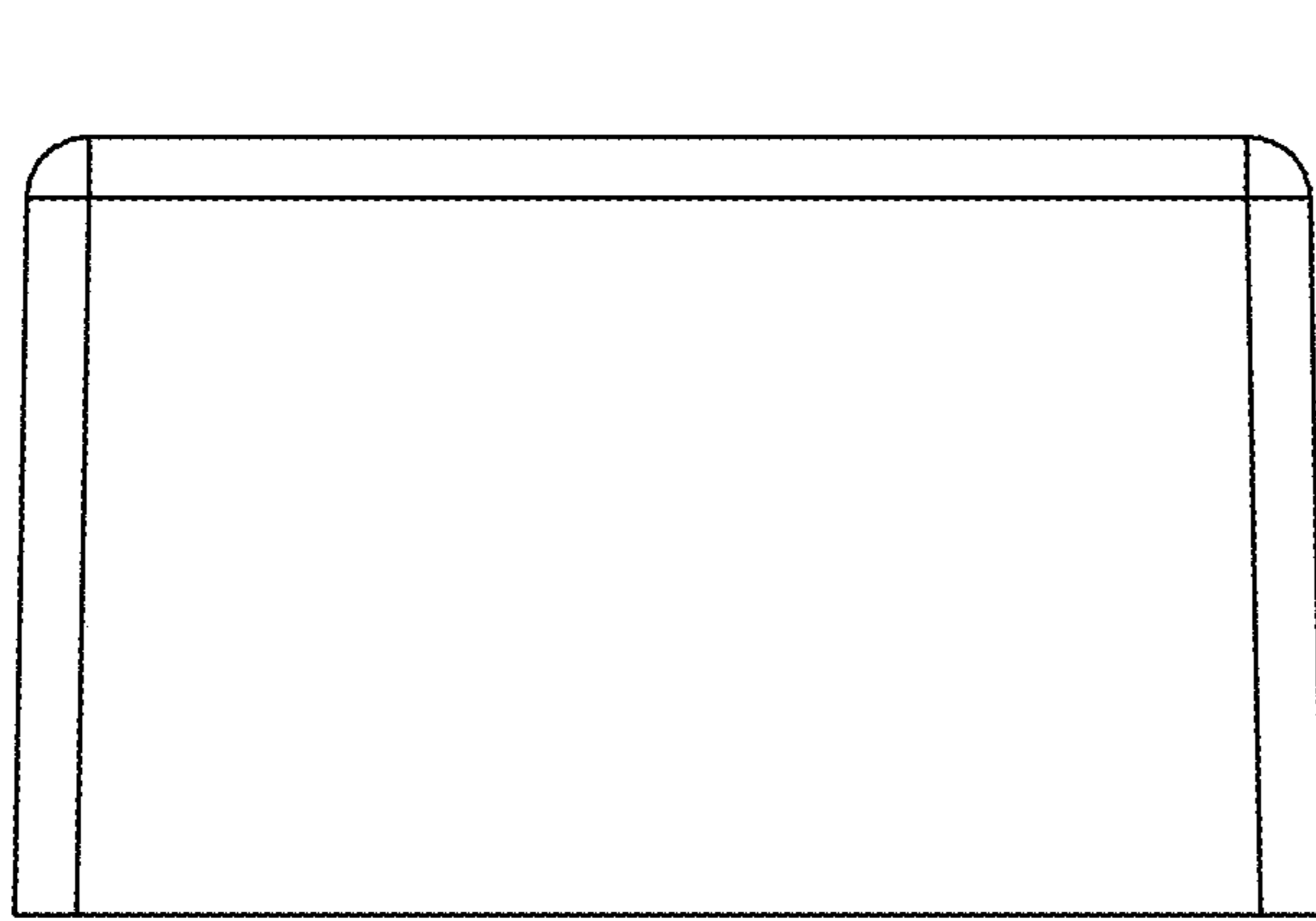


FIG. 5

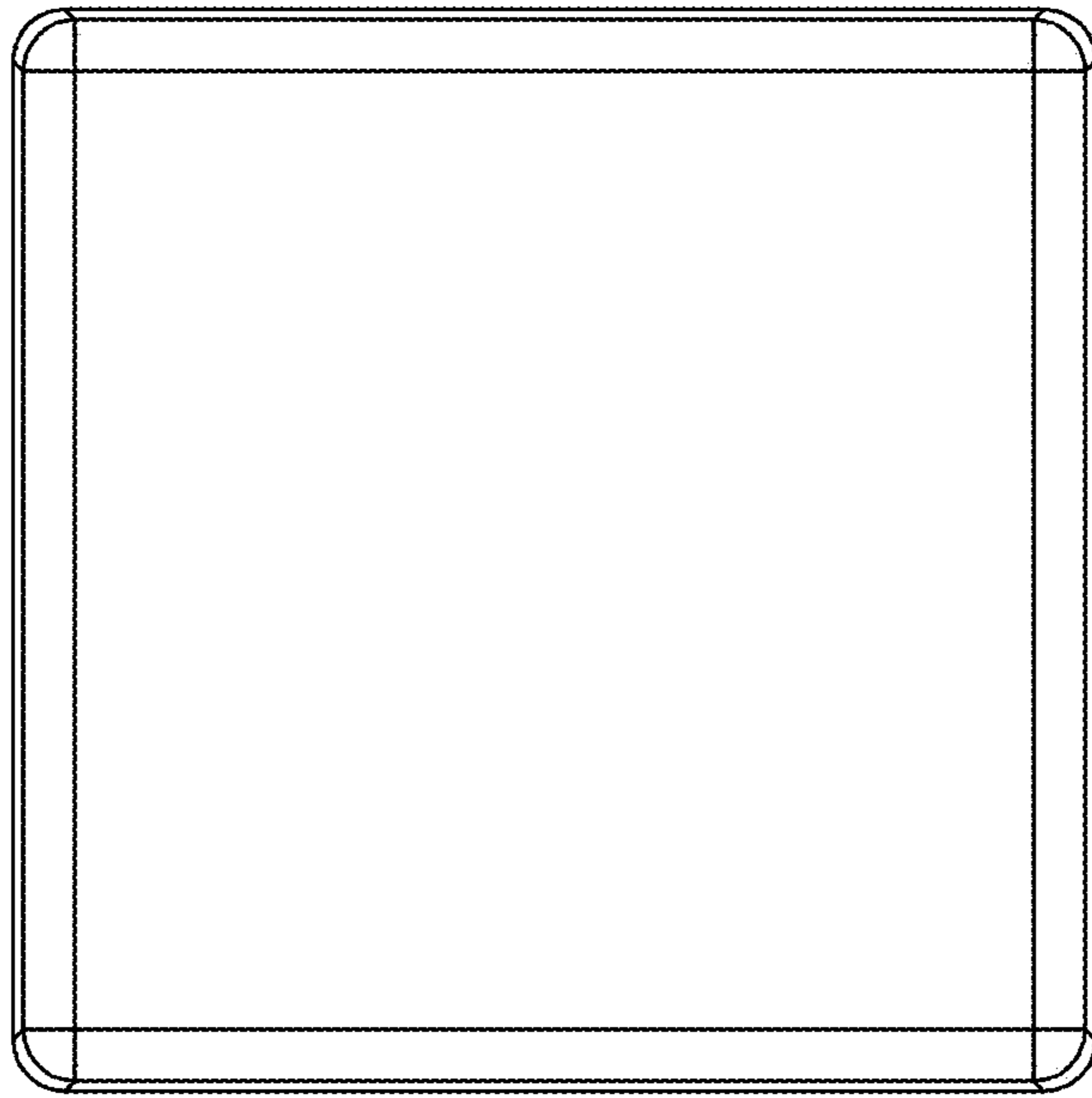


FIG. 6

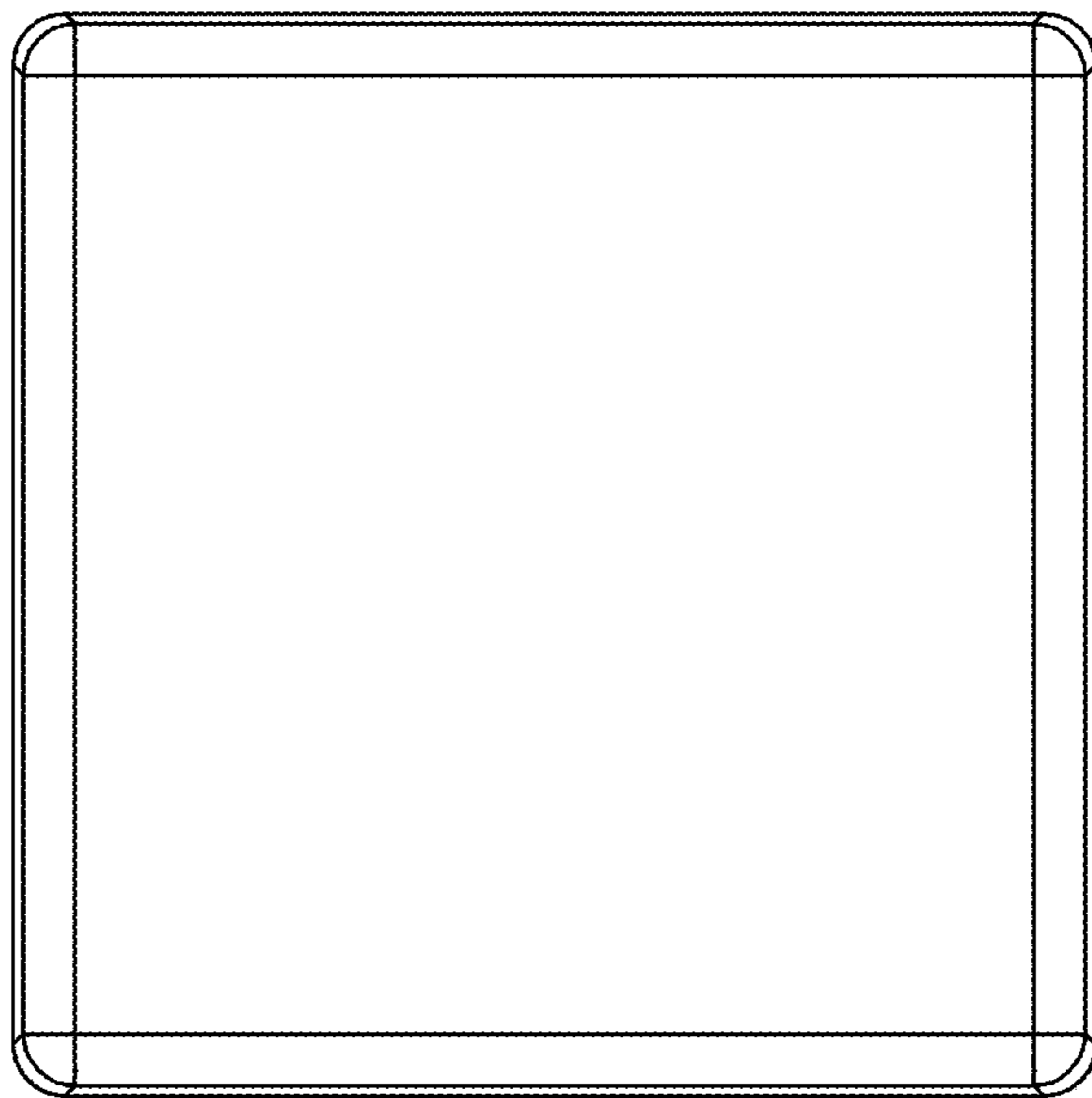


FIG. 7