



US00D709651S

(12) **United States Design Patent**
Gaito

(10) **Patent No.:** **US D709,651 S**

(45) **Date of Patent:** **** Jul. 22, 2014**

(54) **COSMETIC CASE**

(71) Applicant: **David Gaito**, Pompano Beach, FL (US)

(72) Inventor: **David Gaito**, Pompano Beach, FL (US)

(**) Term: **14 Years**

(21) Appl. No.: **29/434,459**

(22) Filed: **Oct. 12, 2012**

(51) **LOC (10) Cl.** **28-03**

(52) **U.S. Cl.**
USPC **D28/83**

(58) **Field of Classification Search**
USPC D28/76-84; 206/581, 823;
132/286-318, 320, 319
See application file for complete search history.

(56) **References Cited**

U.S. PATENT DOCUMENTS

D258,391 S *	2/1981	Bohn	D28/78
5,135,012 A *	8/1992	Kamen et al.	132/294
D433,191 S *	10/2000	Adachi et al.	D28/78
D436,693 S *	1/2001	Thorpe et al.	D28/76

D477,895 S *	7/2003	Goswell	D28/83
D553,798 S *	10/2007	Goswell	D28/83
8,276,599 B2 *	10/2012	Gindi	132/315
2002/0036155 A1 *	3/2002	Freeman et al.	206/581
2003/0080026 A1 *	5/2003	Ploix et al.	206/581
2010/0059081 A1 *	3/2010	Yoshida et al.	132/287

* cited by examiner

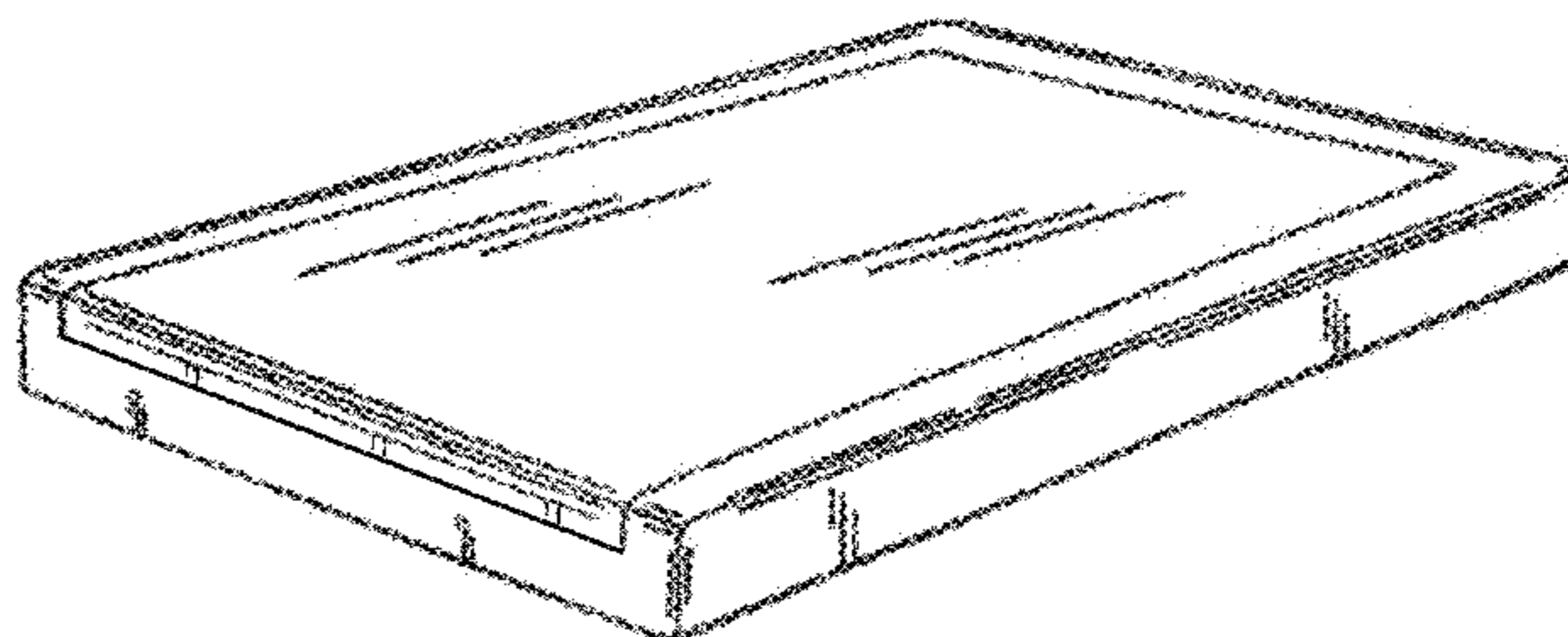
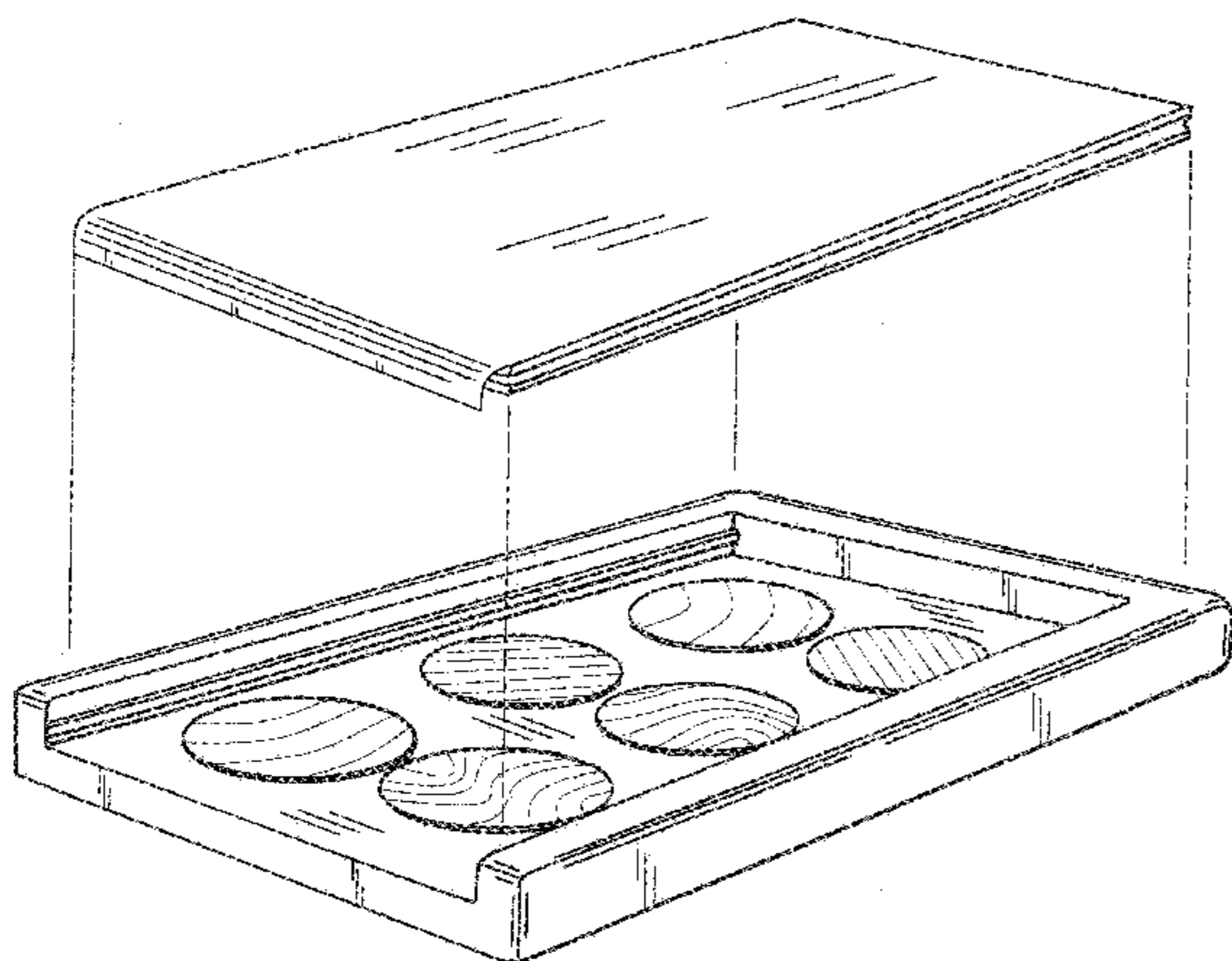
Primary Examiner — Jennifer Rivard
(74) *Attorney, Agent, or Firm* — The Concept Law Group, P.A.; Scott D. Smiley; Mark C. Johnson

(57) **CLAIM**
I claim the ornamental design for a cosmetic case, as shown and described.

DESCRIPTION

FIG. 1 is an exploded view of the present inventive cosmetic case.
FIG. 2 is an assembly view of the cosmetic case of FIG. 1.
FIG. 3 is a left side view of FIG. 1.
FIG. 4 is a right side view of FIG. 1; and,
FIG. 5 is an end elevation view of FIG. 1.
The broken lines illustrate the environment of the case and form no part of the claimed design.

1 Claim, 4 Drawing Sheets



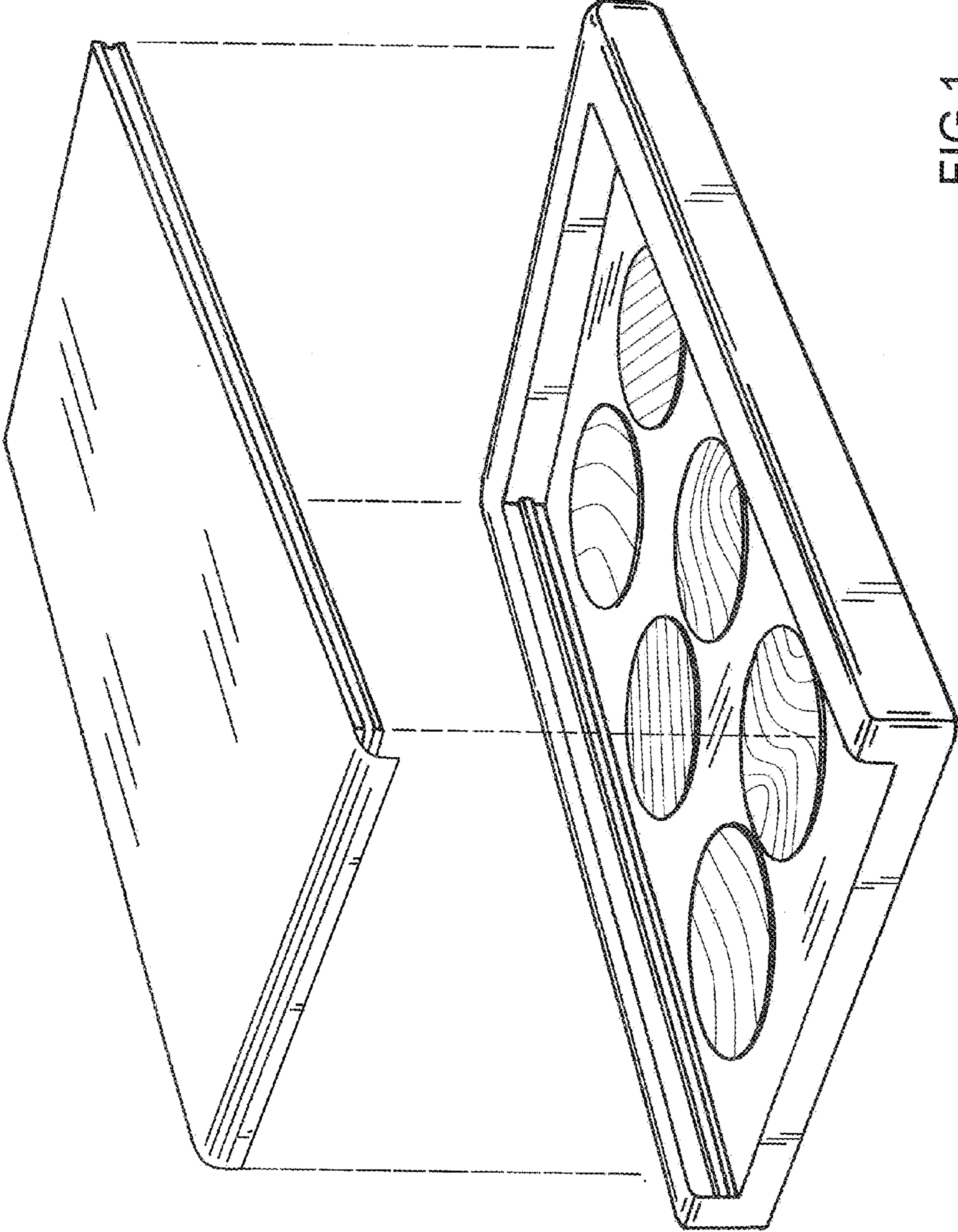


FIG.1

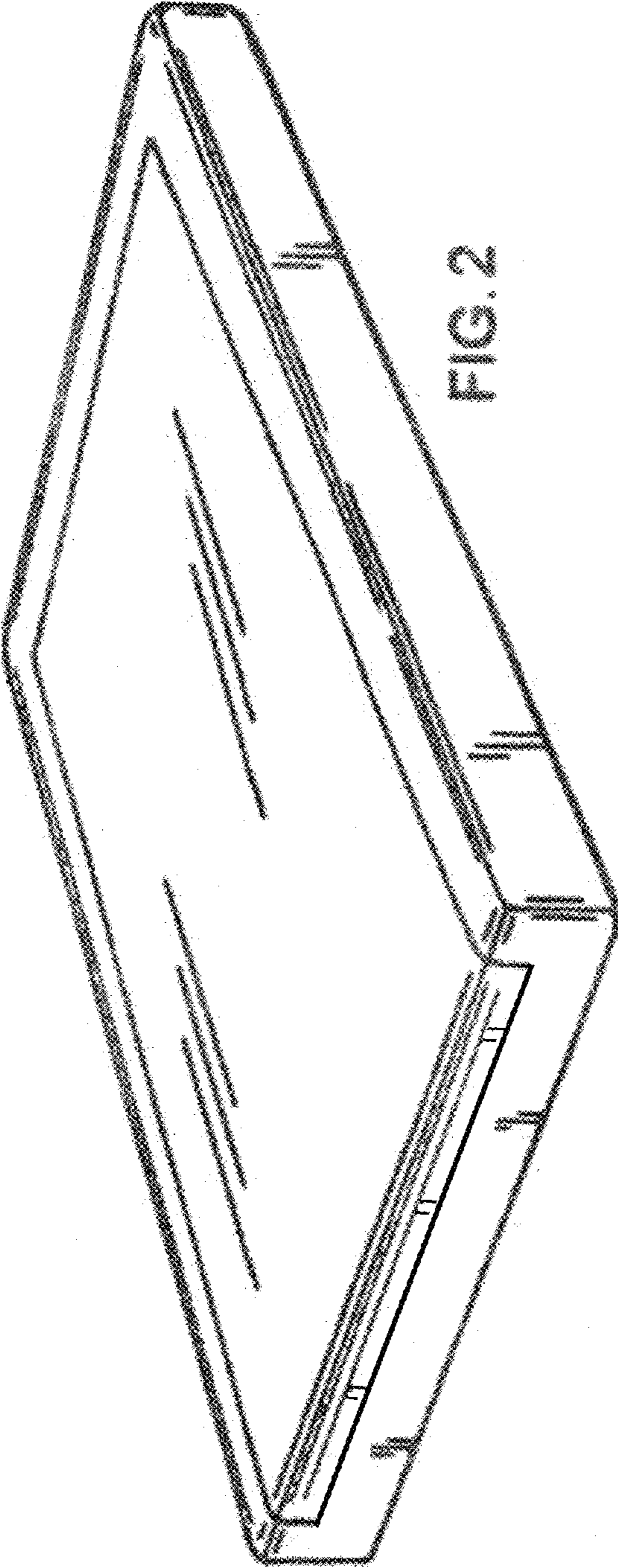


FIG. 2

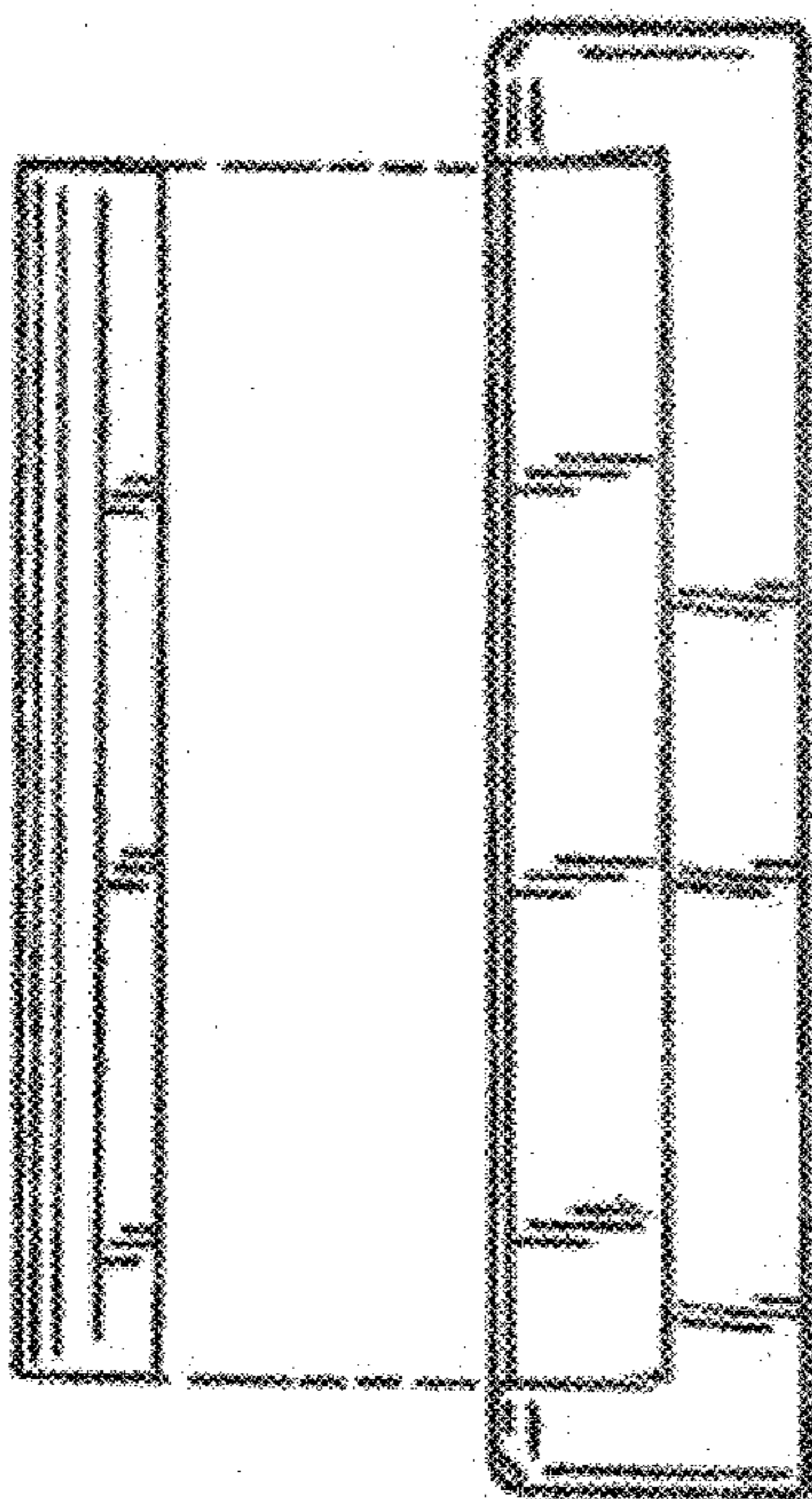


FIG. 3

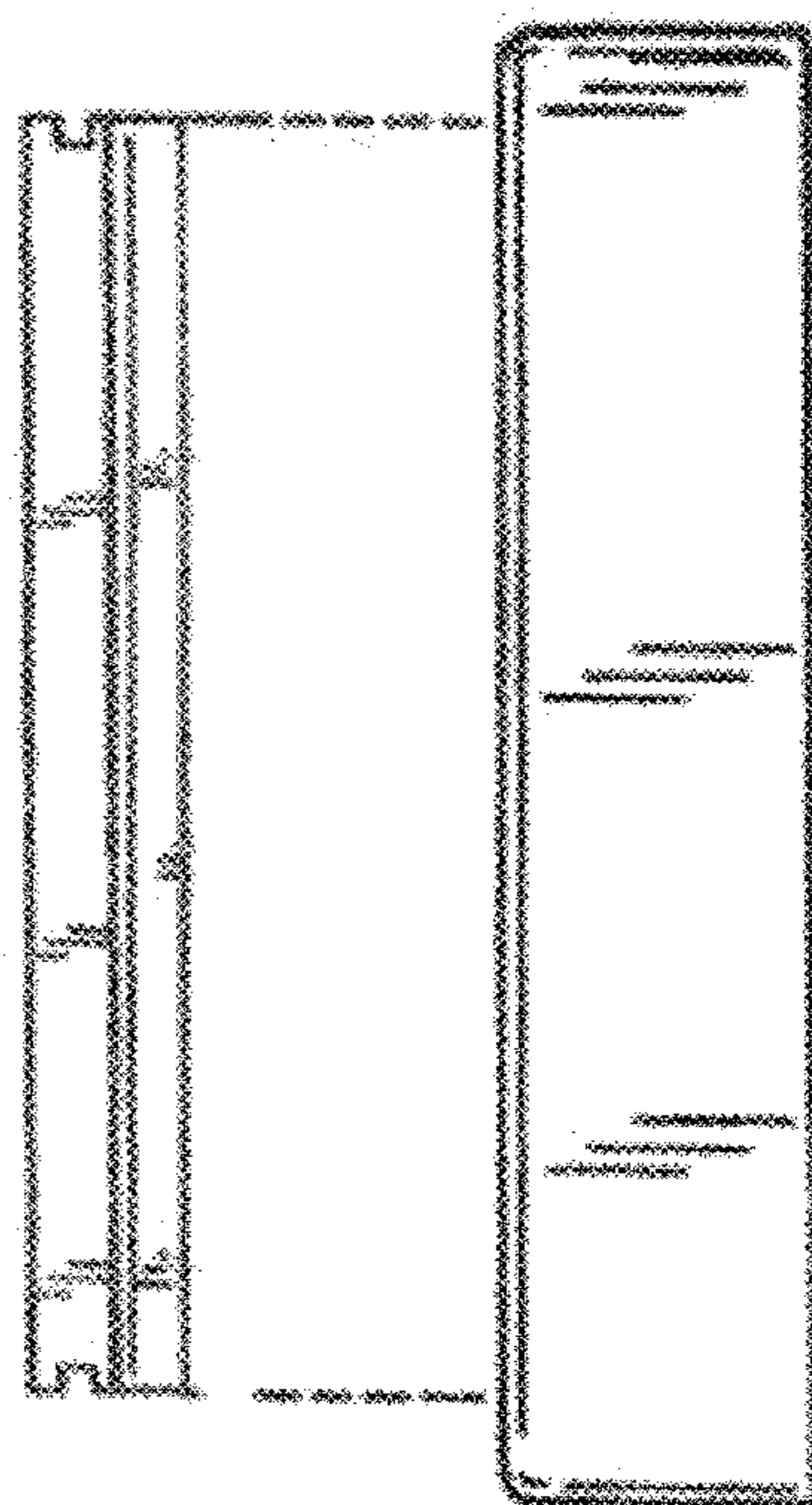


FIG. 4

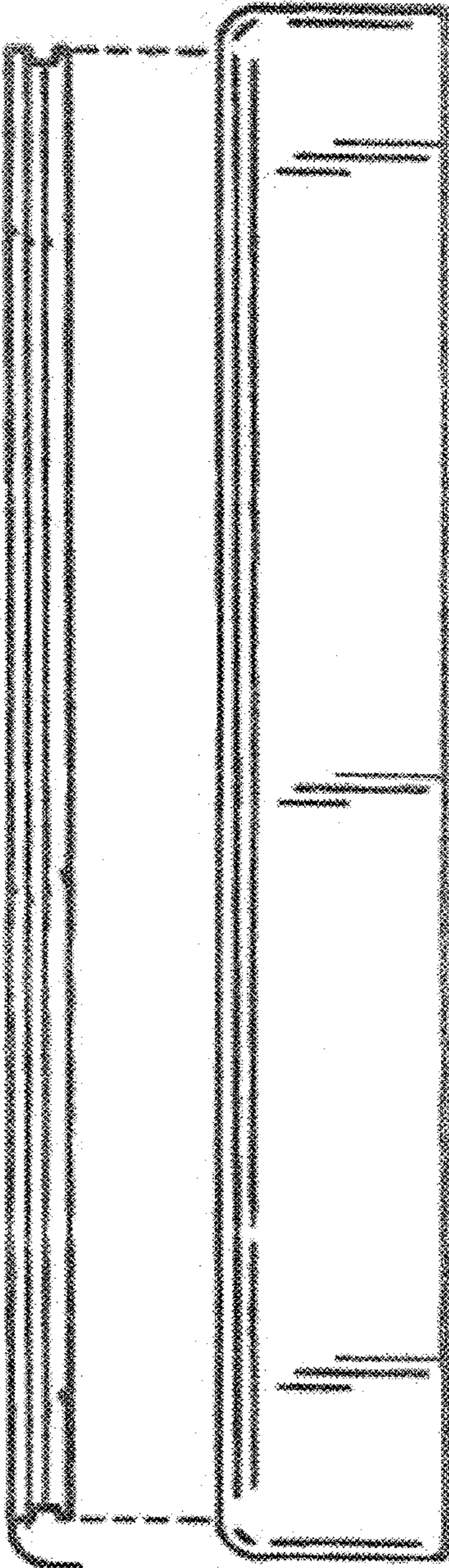


FIG. 5