



US00D709640S

(12) **United States Design Patent**
Maxik et al.

(10) **Patent No.:** **US D709,640 S**
(45) **Date of Patent:** **** Jul. 22, 2014**

(54) **LUMINAIRE**

(75) Inventors: **Fredric S. Maxik**, Indialantic, FL (US);
David Henderson, Indialantic, FL (US);
Mark Penley Boomgaarden, Satellite
Beach, FL (US); **Addy S. Widjaja**, Palm
Bay, FL (US); **Emilio Flores**,
Melbourne, FL (US); **Shane Sullivan**,
Indialantic, FL (US); **Wei Sun**, Davie,
FL (US)

(73) Assignee: **Lighting Science Group Corporation**,
Satellite Beach, FL (US)

(**) Term: **14 Years**

(21) Appl. No.: **29/391,818**

(22) Filed: **May 13, 2011**

(51) **LOC (10) Cl.** **26-99**

(52) **U.S. Cl.**
USPC **D26/113**

(58) **Field of Classification Search**
USPC D26/1, 2, 3, 113, 118, 138, 26, 28, 78,
D26/119, 128, 134, 142; 362/294, 235, 310;
D13/179, 180
See application file for complete search history.

(56) **References Cited**

U.S. PATENT DOCUMENTS

D516,229 S * 2/2006 Tang D26/2
D527,119 S * 8/2006 Maxik et al. D26/2

(Continued)

OTHER PUBLICATIONS

OA CA 142956 dated Jan. 3, 2013.

(Continued)

Primary Examiner — Kevin Rudzinski

(74) *Attorney, Agent, or Firm* — Cantor Colburn LLP

(57) **CLAIM**

We claim, the ornamental design for a luminaire, as shown and described.

DESCRIPTION

FIG. 1 is a first side elevation view of the luminaire showing our new invention, the luminaire being symmetric about a center axis;

FIG. 2 is a top plan view of the embodiment of FIG. 1;

FIG. 3 is a bottom plan view of the embodiment of FIG. 1;

FIG. 4 is a first perspective view of the embodiment of FIG. 1;

FIG. 5 is a second perspective view of the embodiment of FIG. 1;

FIG. 6 is a first side elevation view of another embodiment of the invention, the luminaire being symmetric about a center axis;

FIG. 7 is a top plan view of the embodiment of FIG. 6;

FIG. 8 is a bottom plan view of the embodiment of FIG. 6;

FIG. 9 is a first perspective view of the embodiment of FIG. 6; and,

FIG. 10 is a second perspective view of the embodiment of FIG. 6.

The degree of transparency or opaqueness of the lens of the luminaire forms no part of the claimed design. The lens of the claimed luminaire may have facets, lenslets or other treatments.

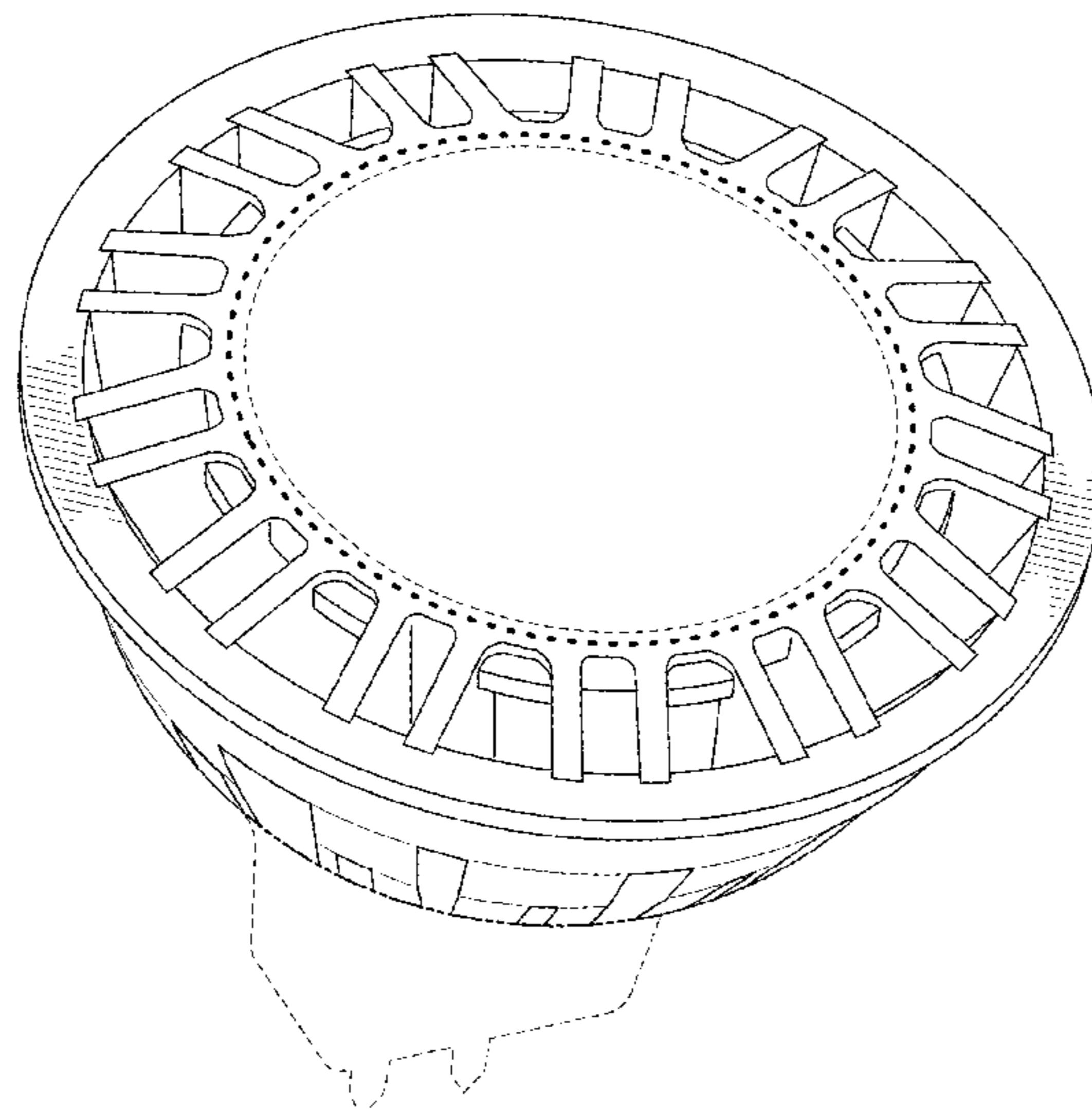
The broken lines shown in FIG. 1-FIG. 10 are environmental and not part of the claimed design.

Any color and/or shading that may be shown in FIG. 1-FIG. 10 forms no part of the claimed design, the luminaire according to the claimed design may be any color or combination of colors.

Any surface treatment that may be shown in FIG. 1-FIG. 10 forms no part of the claimed design, the luminaire of the claimed design may have any surface treatment.

References to “side”, “top”, “front” and “bottom” in the figure descriptions are not meant to require certain in-use orientation; a luminaire according to the claimed design may be used in any orientation.

1 Claim, 10 Drawing Sheets



(56)

References Cited

U.S. PATENT DOCUMENTS

D541,957 S * 5/2007 Wang D26/2
D545,457 S * 6/2007 Chen D26/2
D597,225 S * 7/2009 Yoo D26/2
D612,956 S * 3/2010 Moon D26/2
D616,576 S * 5/2010 Wang et al. D26/2
D625,437 S * 10/2010 Zhang et al. D26/2
D629,930 S * 12/2010 Cotter et al. D26/2
D631,576 S * 1/2011 Yoshinobu et al. D26/2
D636,902 S * 4/2011 Pei et al. D26/2
D645,579 S * 9/2011 Layevsky et al. D26/2

D648,041 S * 11/2011 Mahler et al. D26/2
D652,564 S * 1/2012 Maxik D26/118
D662,627 S * 6/2012 Pan D26/2
D666,748 S * 9/2012 Kim et al. D26/2
D667,148 S * 9/2012 Chun et al. D26/2
D668,798 S * 10/2012 Chen D26/2
D670,011 S * 10/2012 Kim D26/2
D678,595 S * 3/2013 Wu et al. D26/118

OTHER PUBLICATIONS

OA CA 142957 dated Aug. 17, 2012.

* cited by examiner

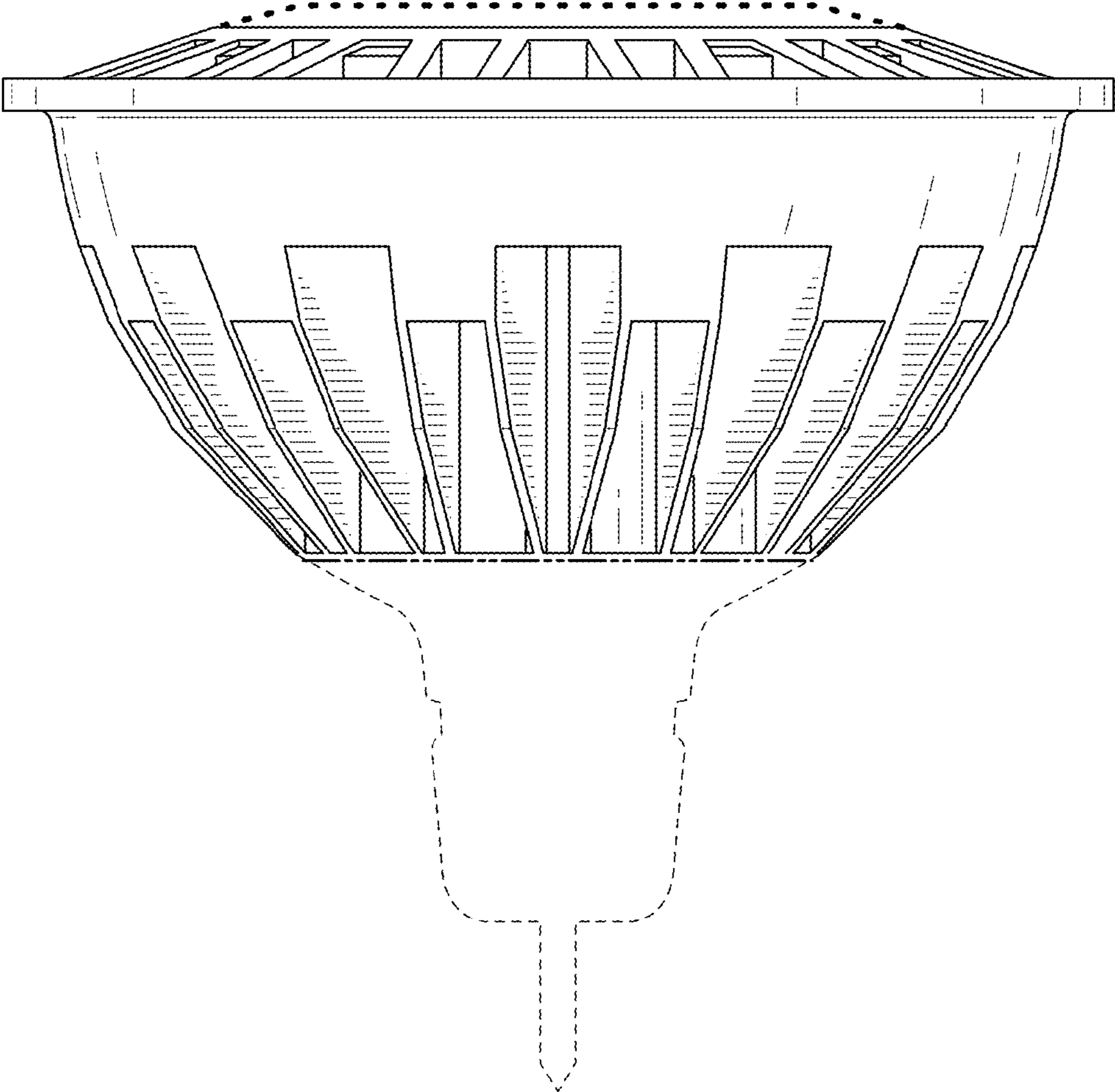


FIG. 1

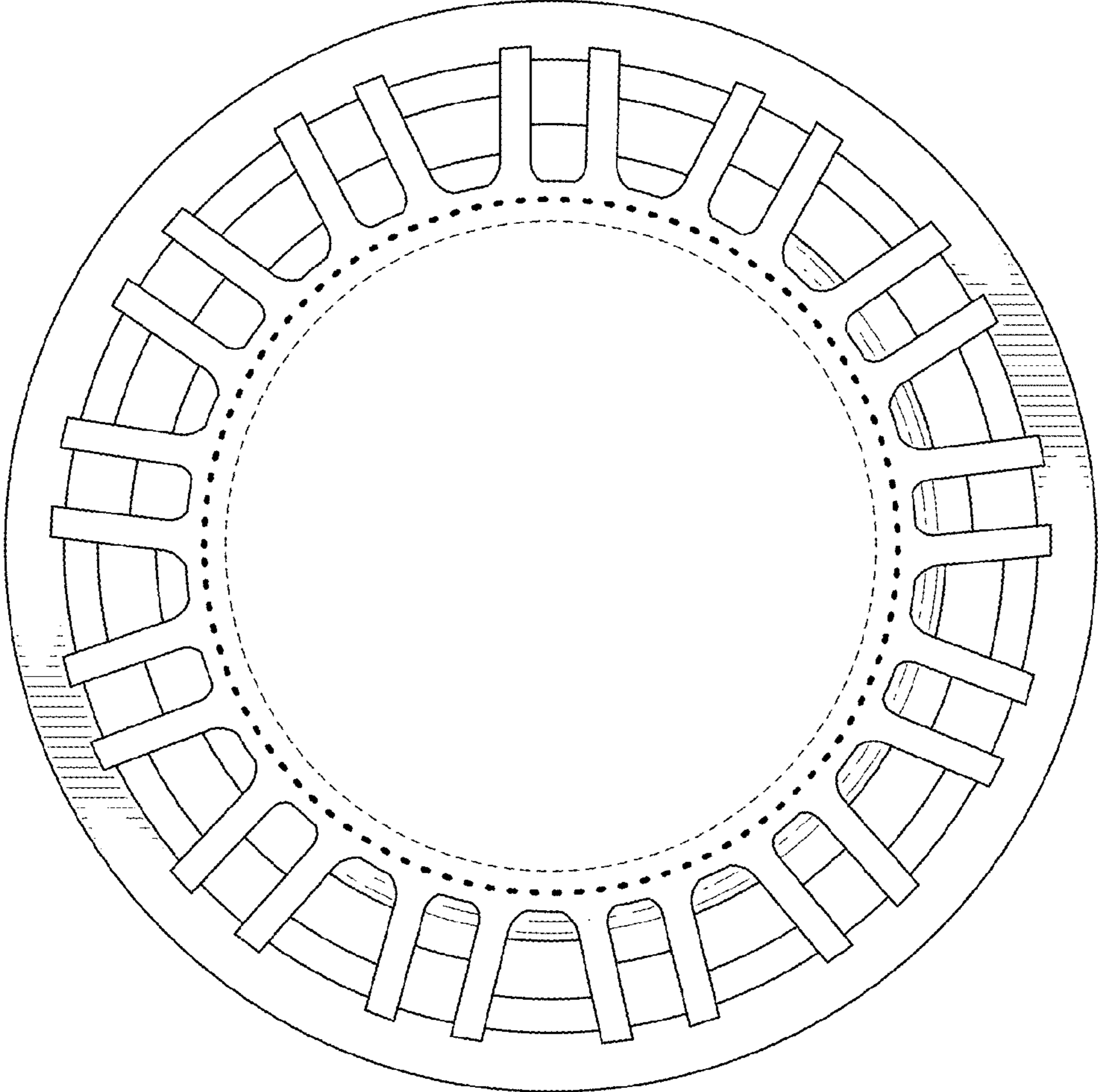


FIG. 2

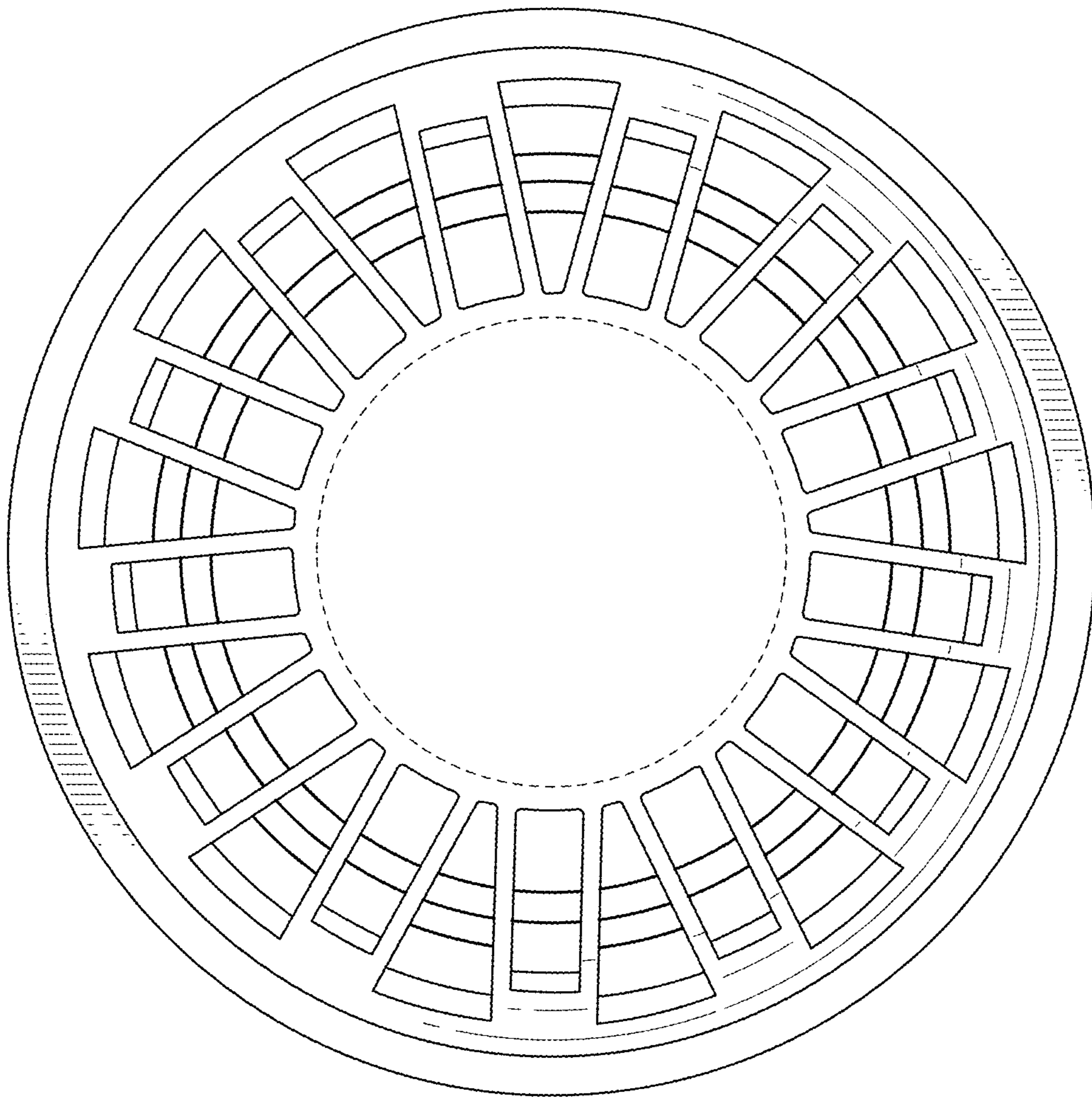


FIG. 3

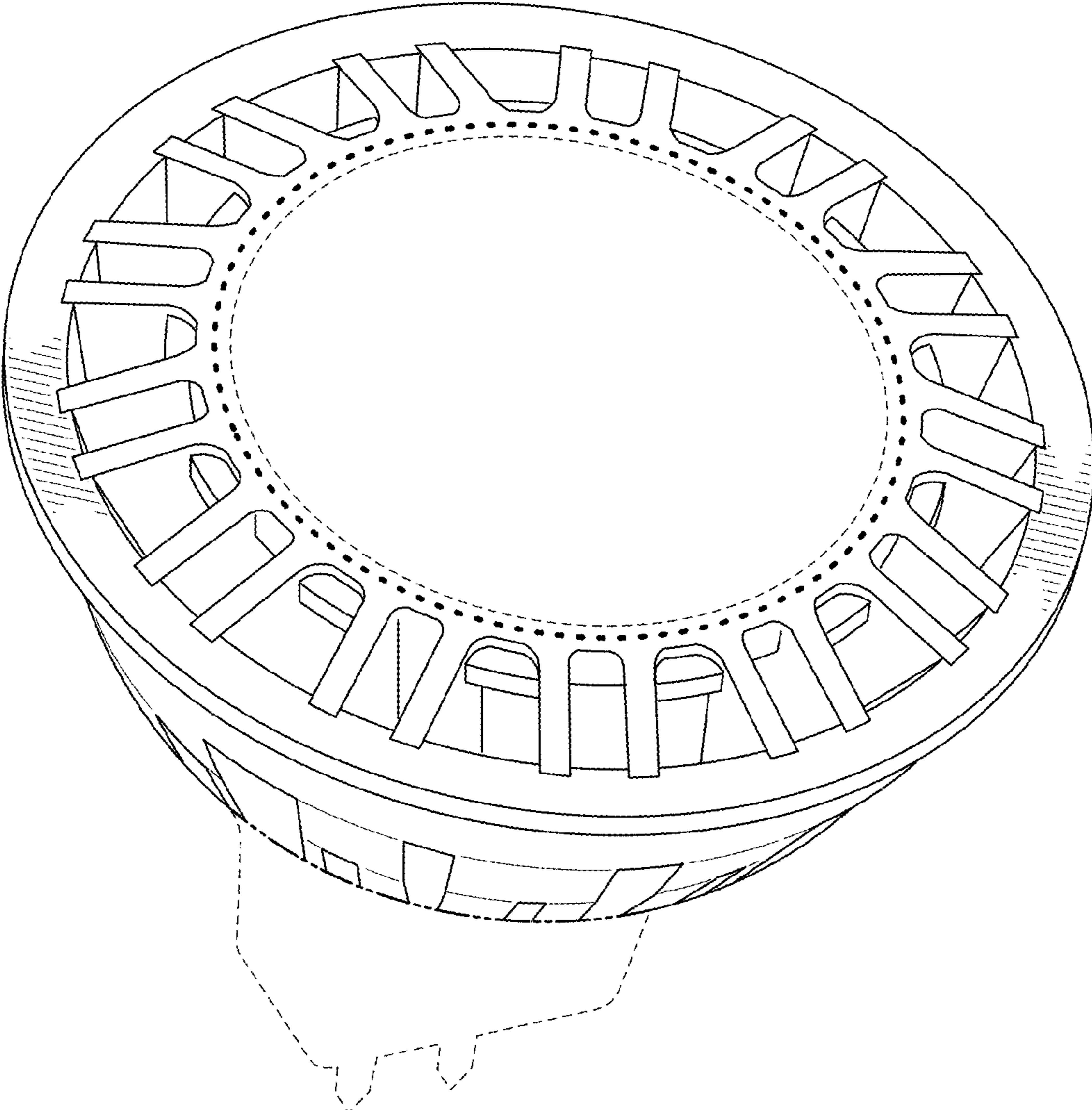


FIG. 4

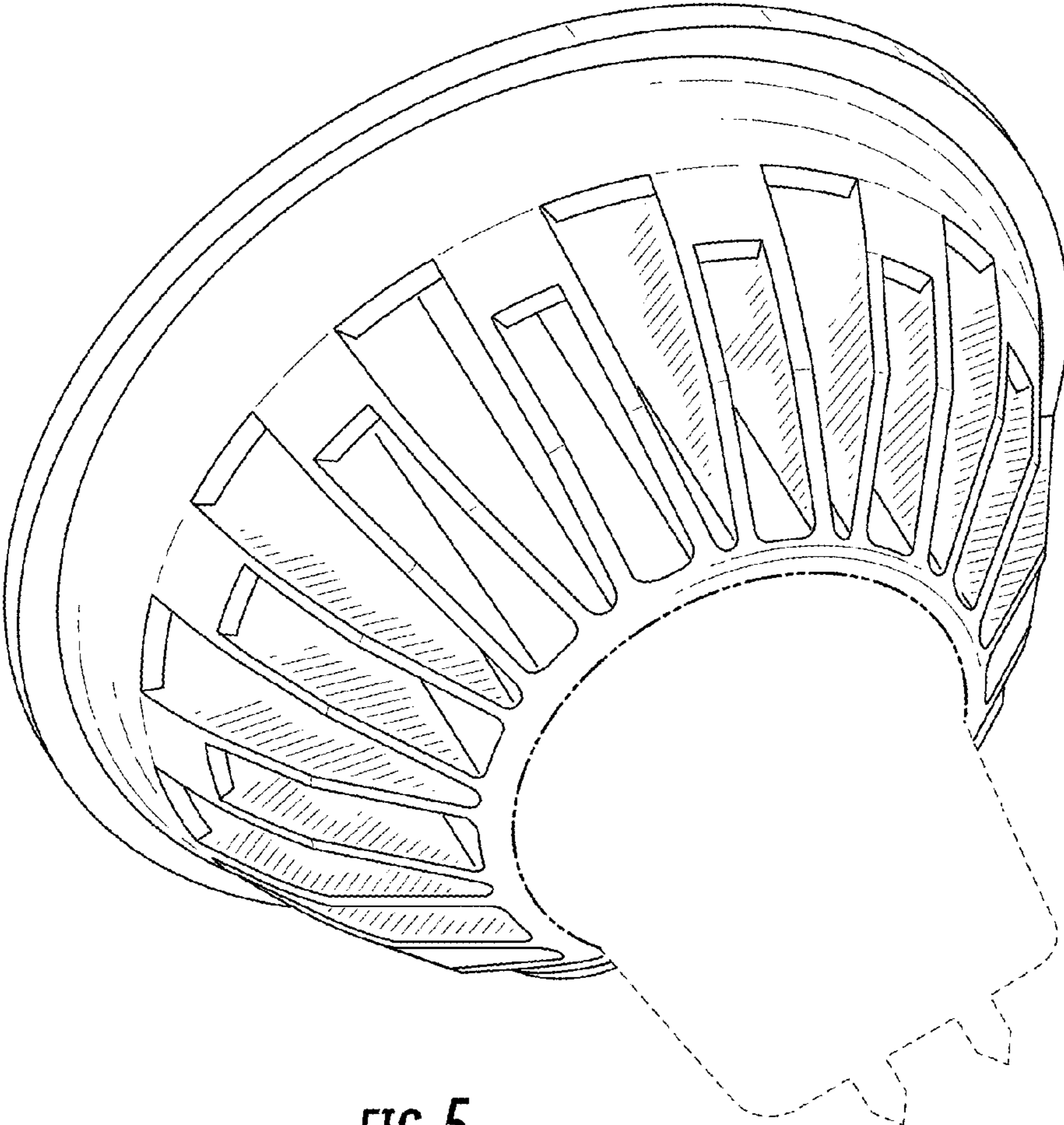


FIG. 5

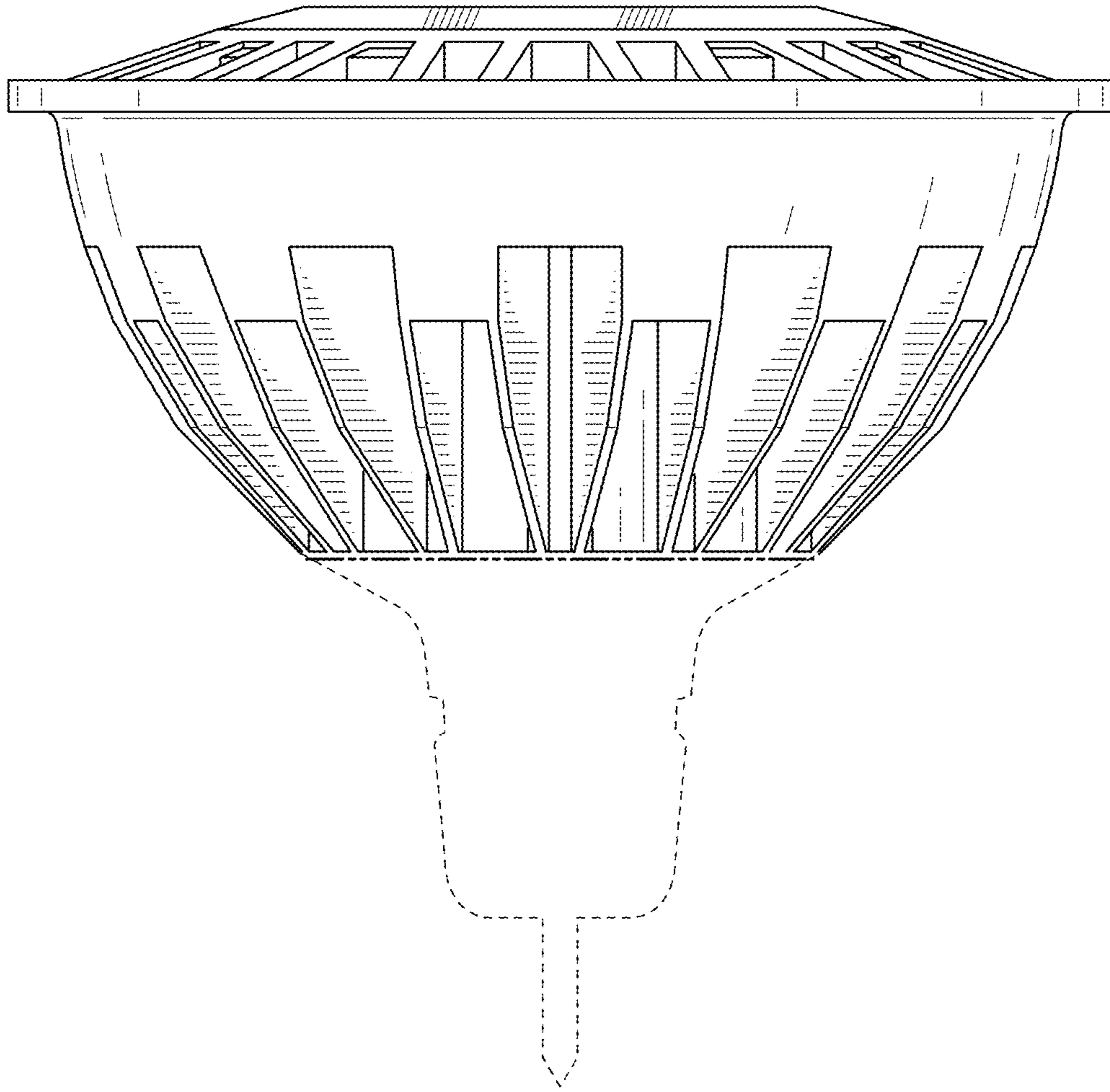


FIG. 6

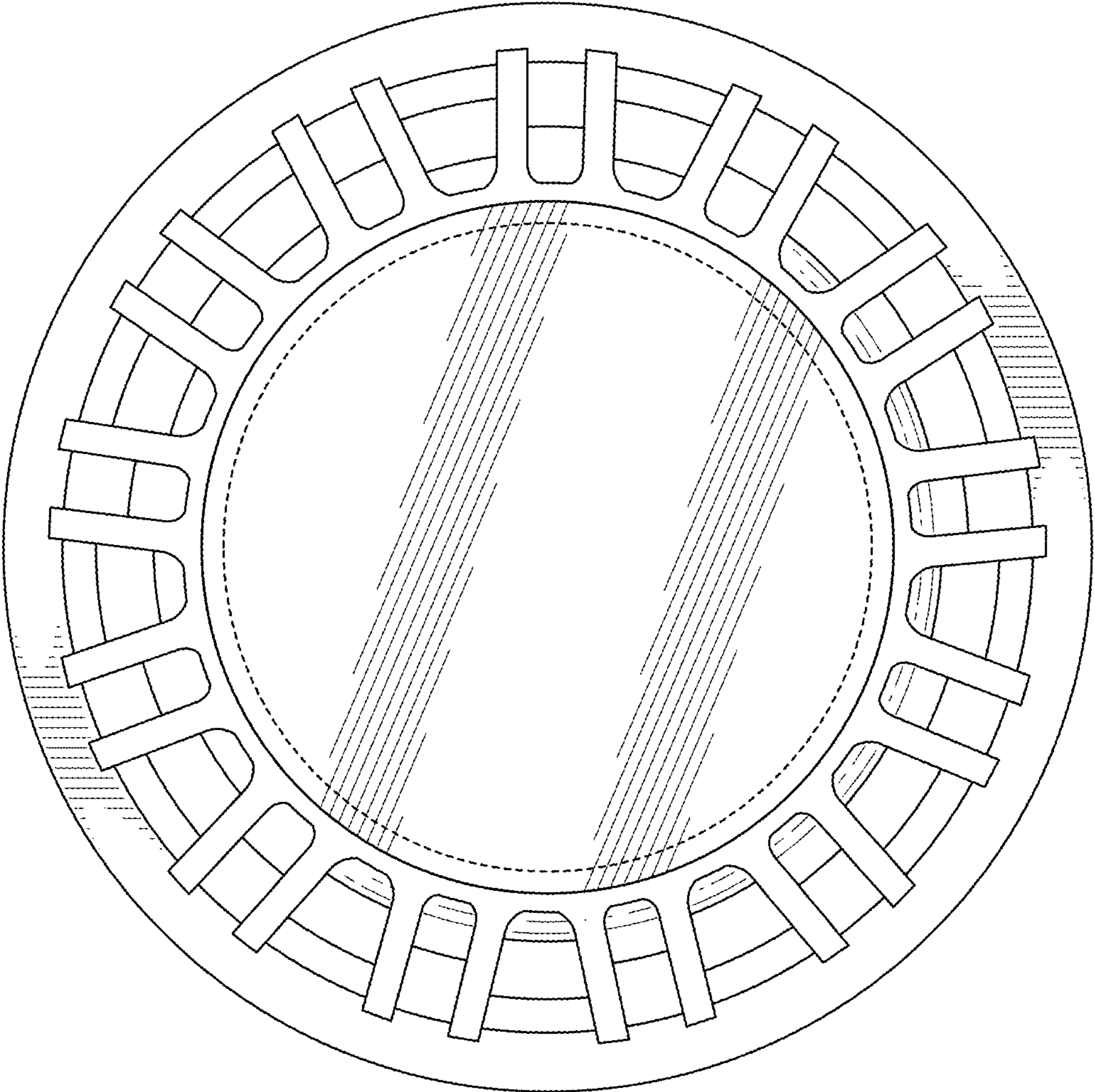


FIG. 7

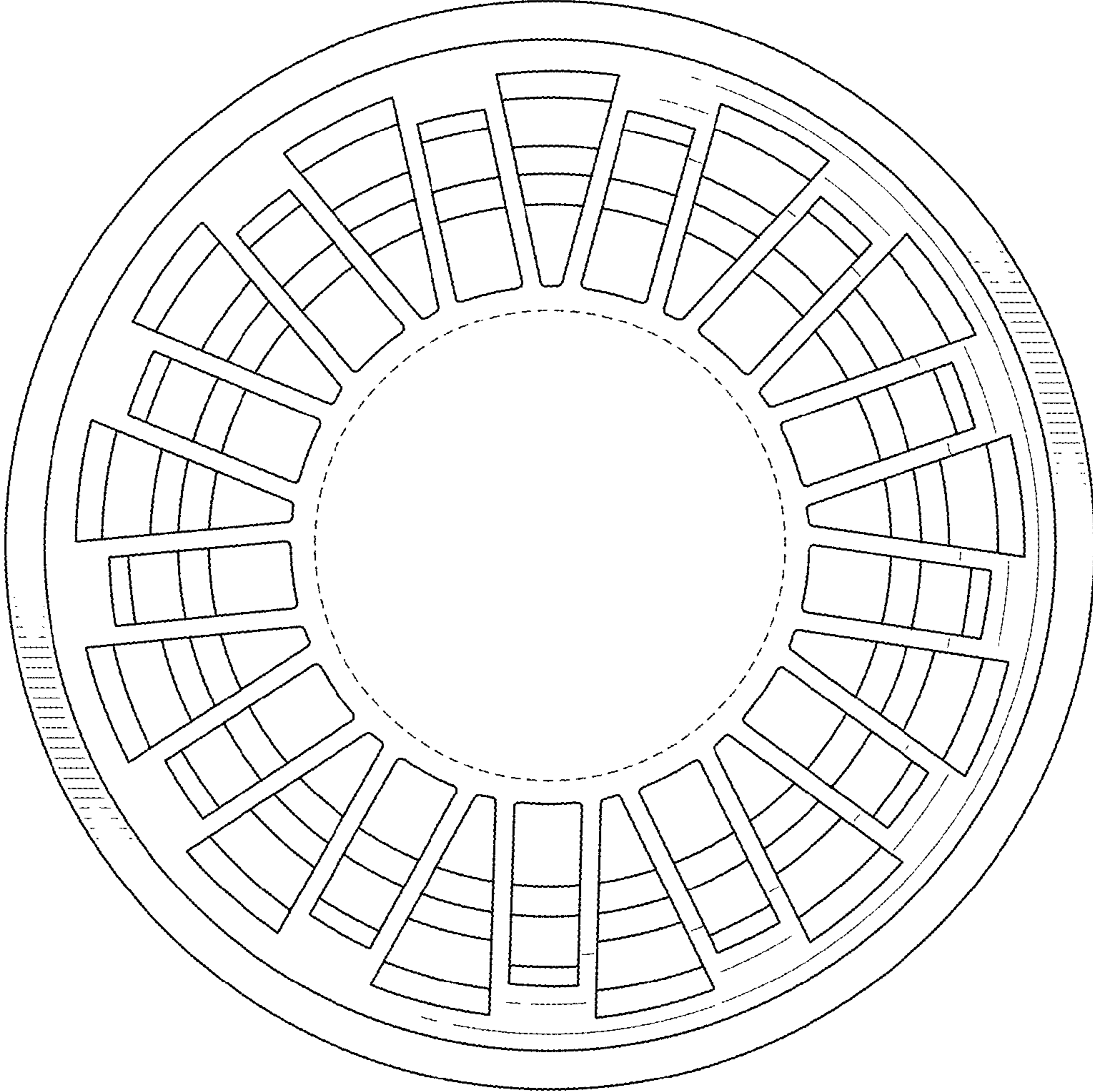


FIG. 8

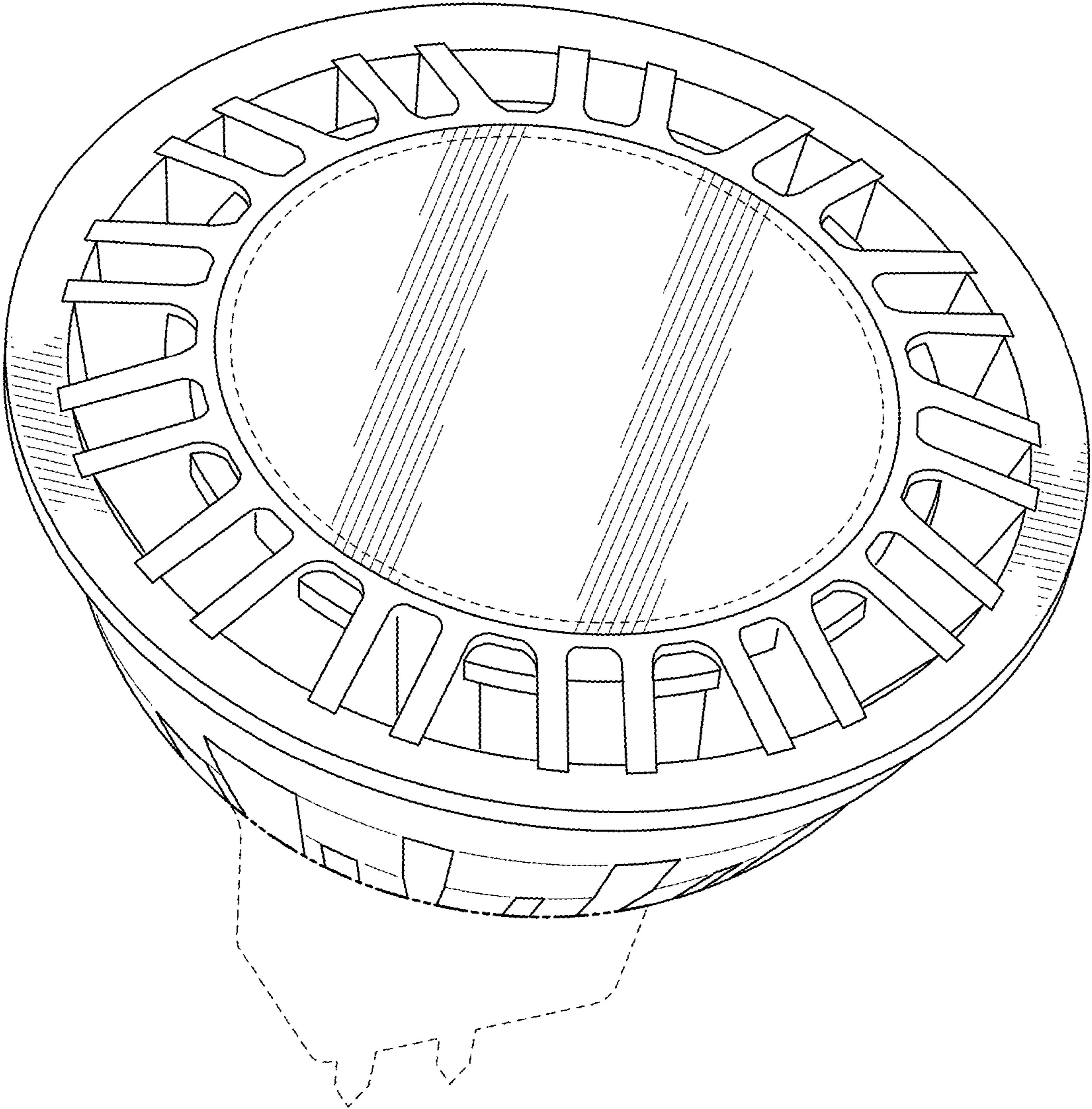


FIG. 9

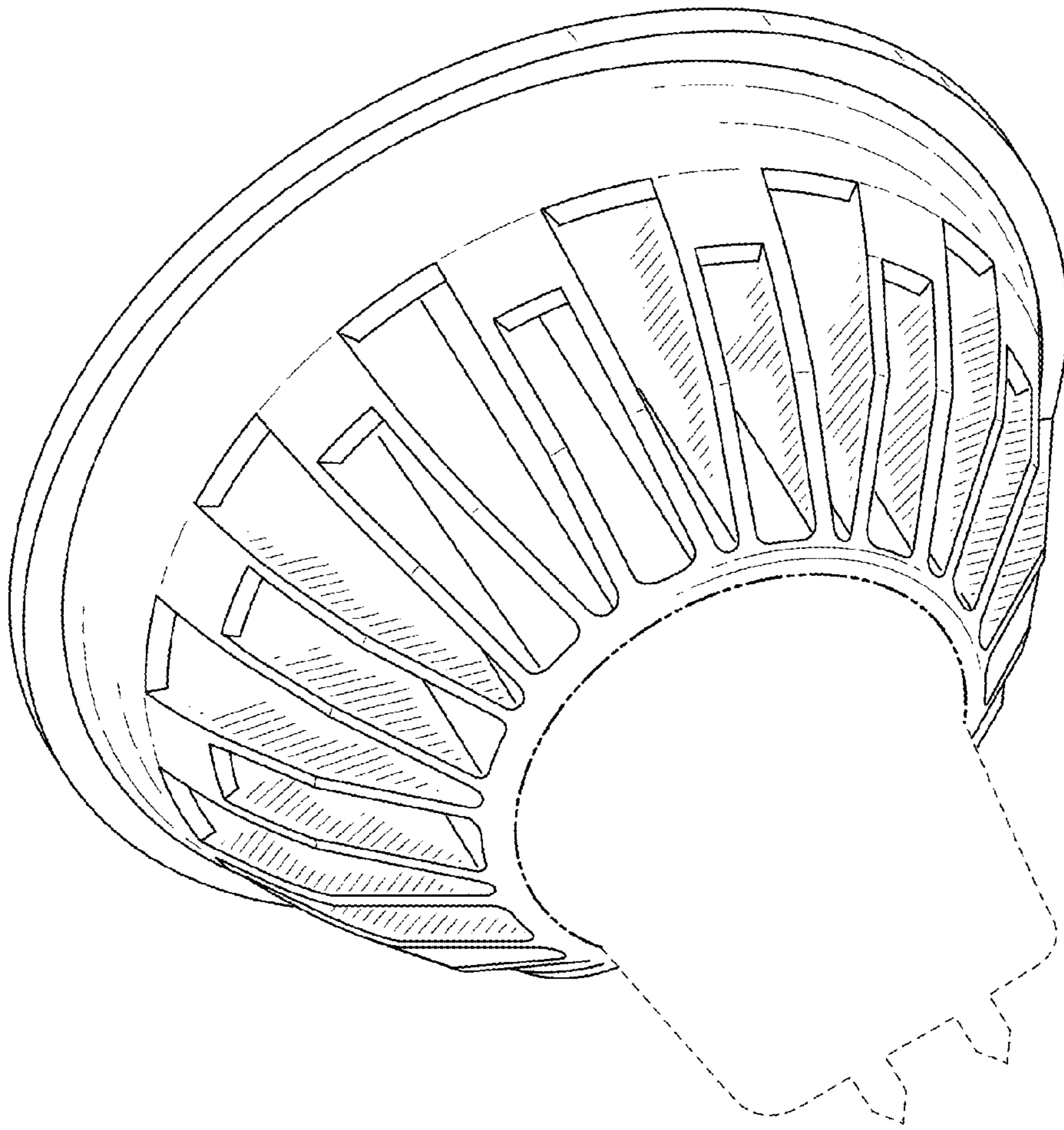


FIG. 10