



US00D709638S

(12) **United States Design Patent**
Kitts

(10) **Patent No.:** **US D709,638 S**
(45) **Date of Patent:** **** Jul. 22, 2014**

(54) **LAMP**

(71) Applicant: **Hubbardton Forge, LLC**, Castleton, VT (US)

(72) Inventor: **David Kitts**, Rutland, VT (US)

(73) Assignee: **Hubbardton Forge, LLC**, Castleton, VT (US)

(**) Term: **14 Years**

(21) Appl. No.: **29/441,729**

(22) Filed: **Jan. 9, 2013**

(51) **LOC (10) Cl.** **26-03**

(52) **U.S. Cl.**
USPC **D26/87**

(58) **Field of Classification Search**
USPC D26/67, 72, 85, 86, 87, 128, 135;
362/350, 356, 363, 432
See application file for complete search history.

(56) **References Cited**

U.S. PATENT DOCUMENTS

D54,630 S *	3/1920	Jimmerson	D26/87
D82,136 S *	9/1930	Chapman	D26/87
D164,908 S *	10/1951	Folley	D26/87
D462,134 S *	8/2002	Cheong	D26/67
D463,599 S *	9/2002	Hille et al.	D26/67
7,249,871 B2 *	7/2007	Chen	362/407
D551,380 S *	9/2007	De'Armond	D26/80
D558,383 S *	12/2007	Bickler et al.	D26/87

D563,021 S *	2/2008	Hetfield et al.	D26/72
D563,023 S *	2/2008	Hetfield et al.	D26/72
D563,025 S *	2/2008	Hetfield et al.	D26/72
D570,522 S *	6/2008	Chandler	D26/85
D570,524 S *	6/2008	Chandler	D26/87
D574,992 S *	8/2008	Citterio	D26/87
D606,701 S *	12/2009	Chandler	D26/87
D608,489 S *	1/2010	Chandler	D26/87
D617,034 S *	6/2010	Compton	D26/85
D625,455 S *	10/2010	Sonneman	D26/85
D625,456 S *	10/2010	Sonneman	D26/85
D662,647 S *	6/2012	Nankil	D26/87
D667,161 S *	9/2012	Chen	D26/87

* cited by examiner

Primary Examiner — Clare E Heflin

(74) *Attorney, Agent, or Firm* — Bourque and Associates, PA

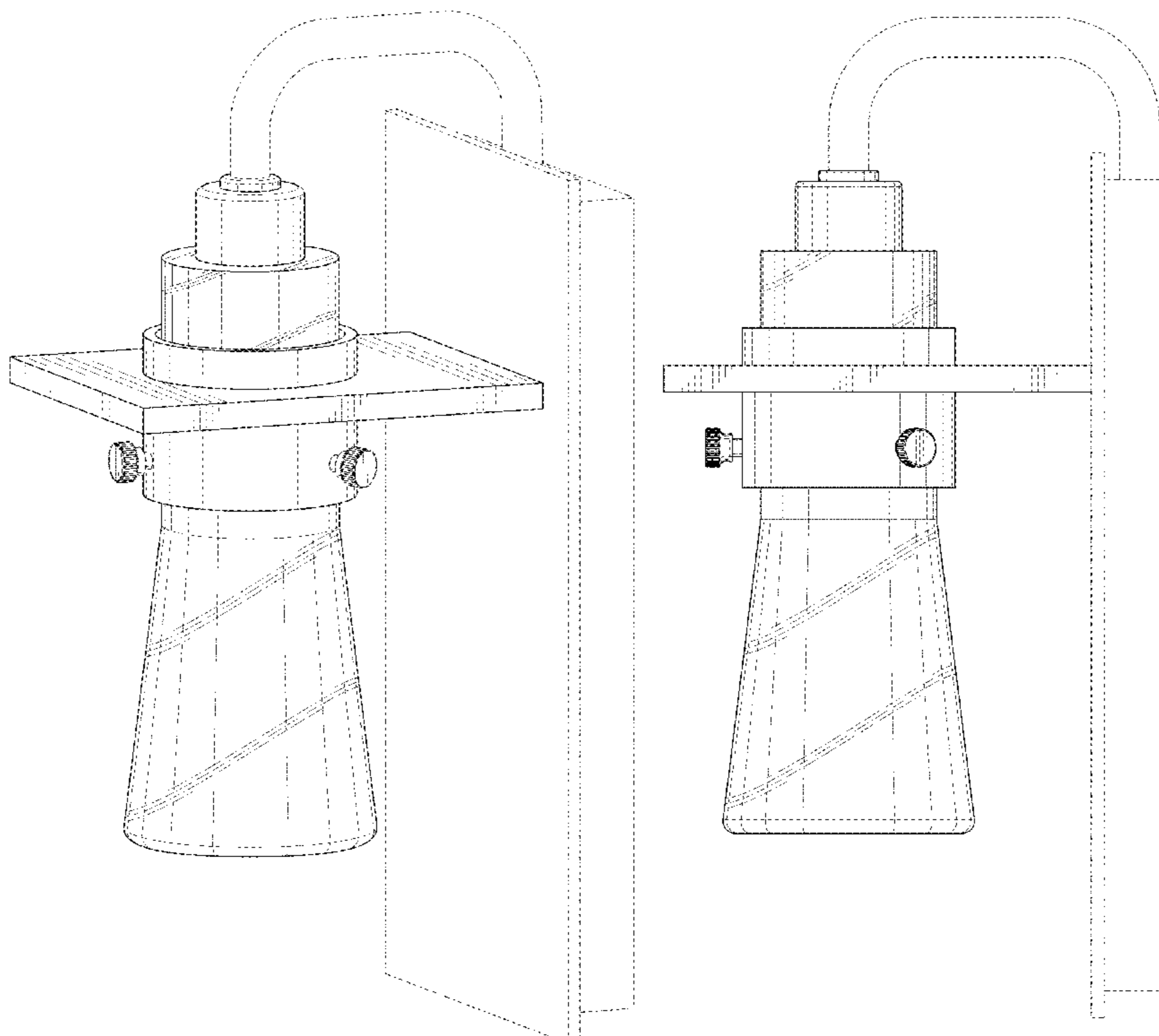
(57) **CLAIM**

The ornamental design for a lamp, as shown and described.

DESCRIPTION

FIG. 1 is a perspective view of the lamp according to the present invention;
FIG. 2 is a front view of the lamp thereof;
FIG. 3 is a right view of the lamp thereof;
FIG. 4 is a left view of the lamp thereof;
FIG. 5 is a top view of the lamp thereof; and,
FIG. 6 is a bottom view of the lamp thereof.
The broken lines shown are for illustrative purposes only and form no part of the claimed design.

1 Claim, 6 Drawing Sheets



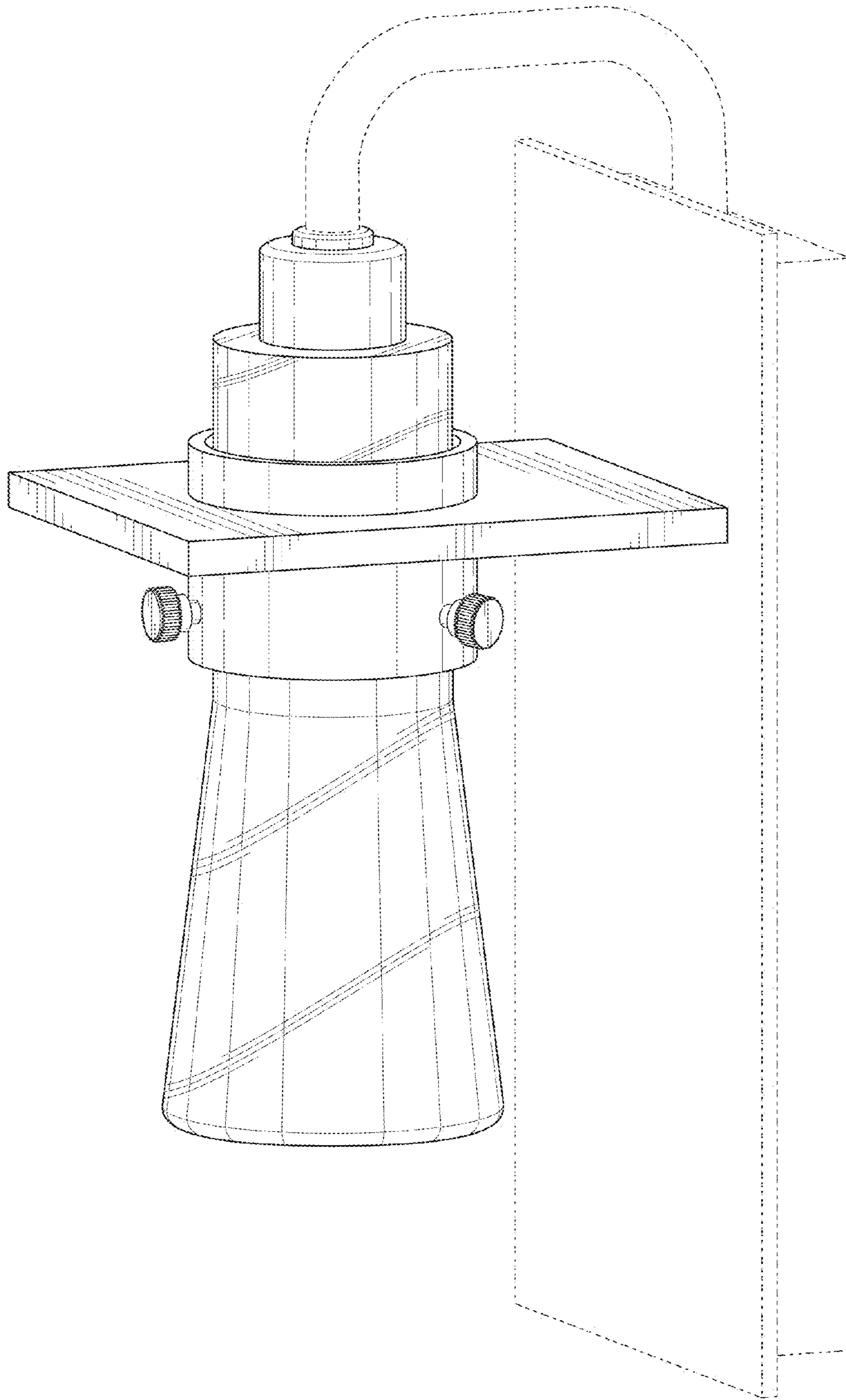


FIG. 1

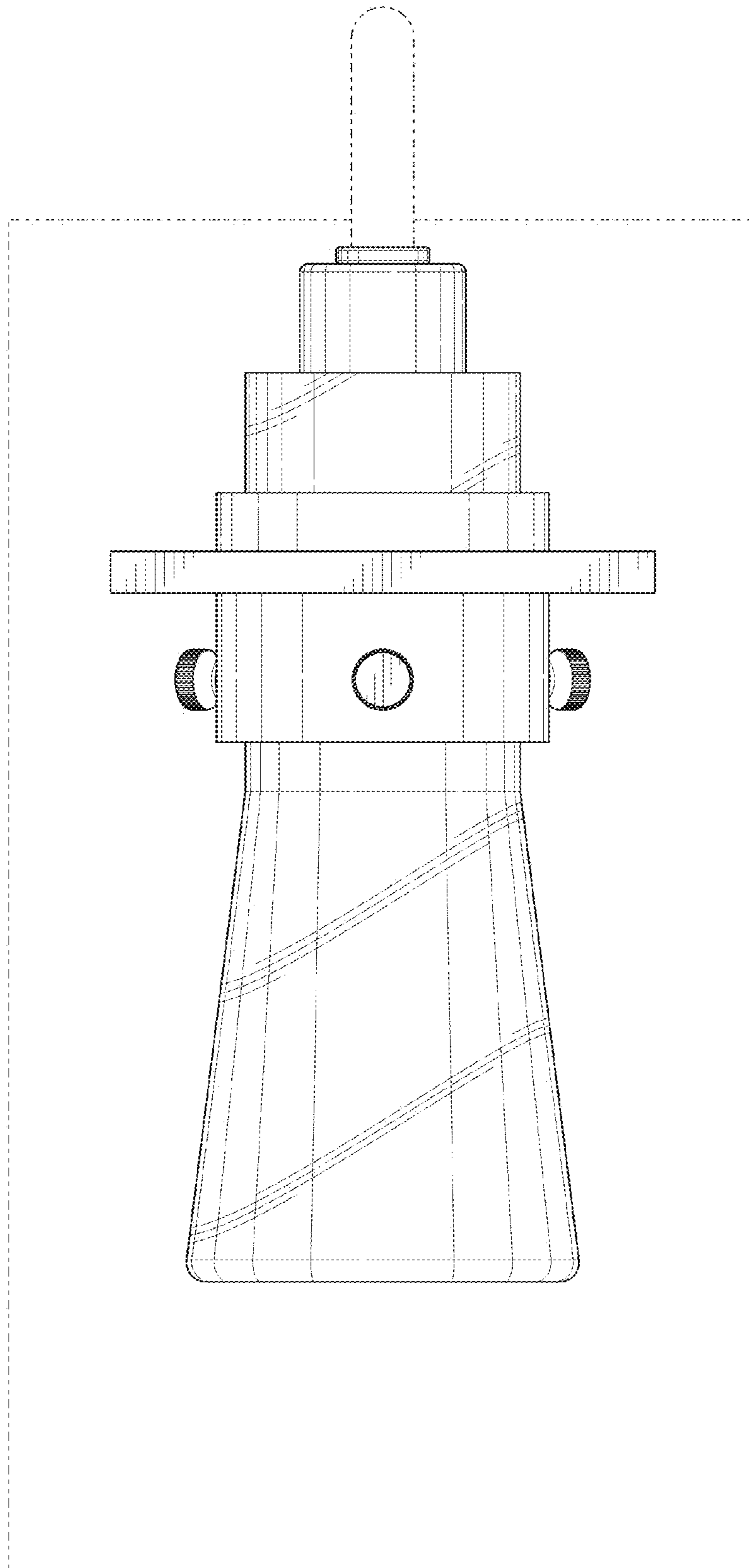


FIG. 2

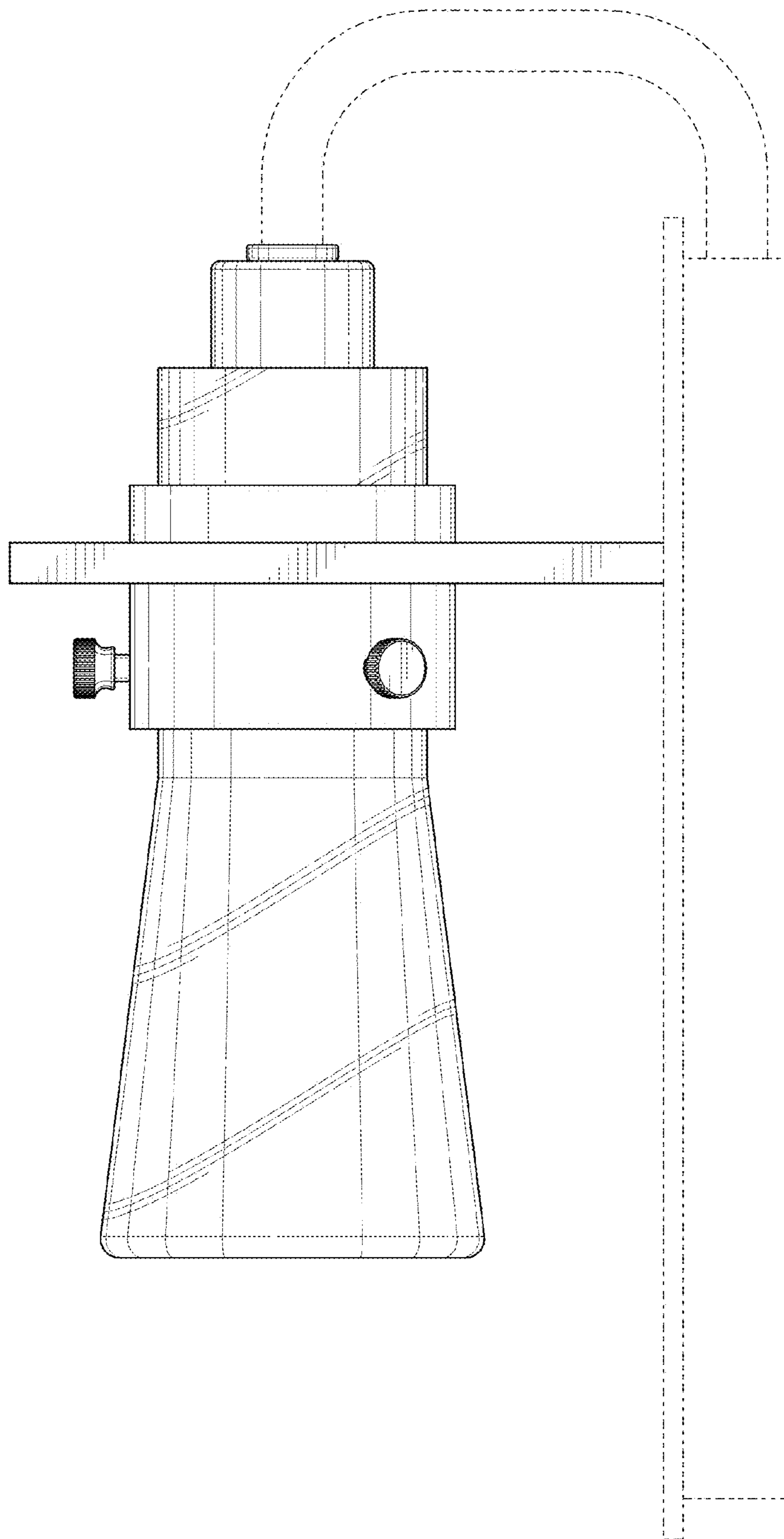


FIG. 3

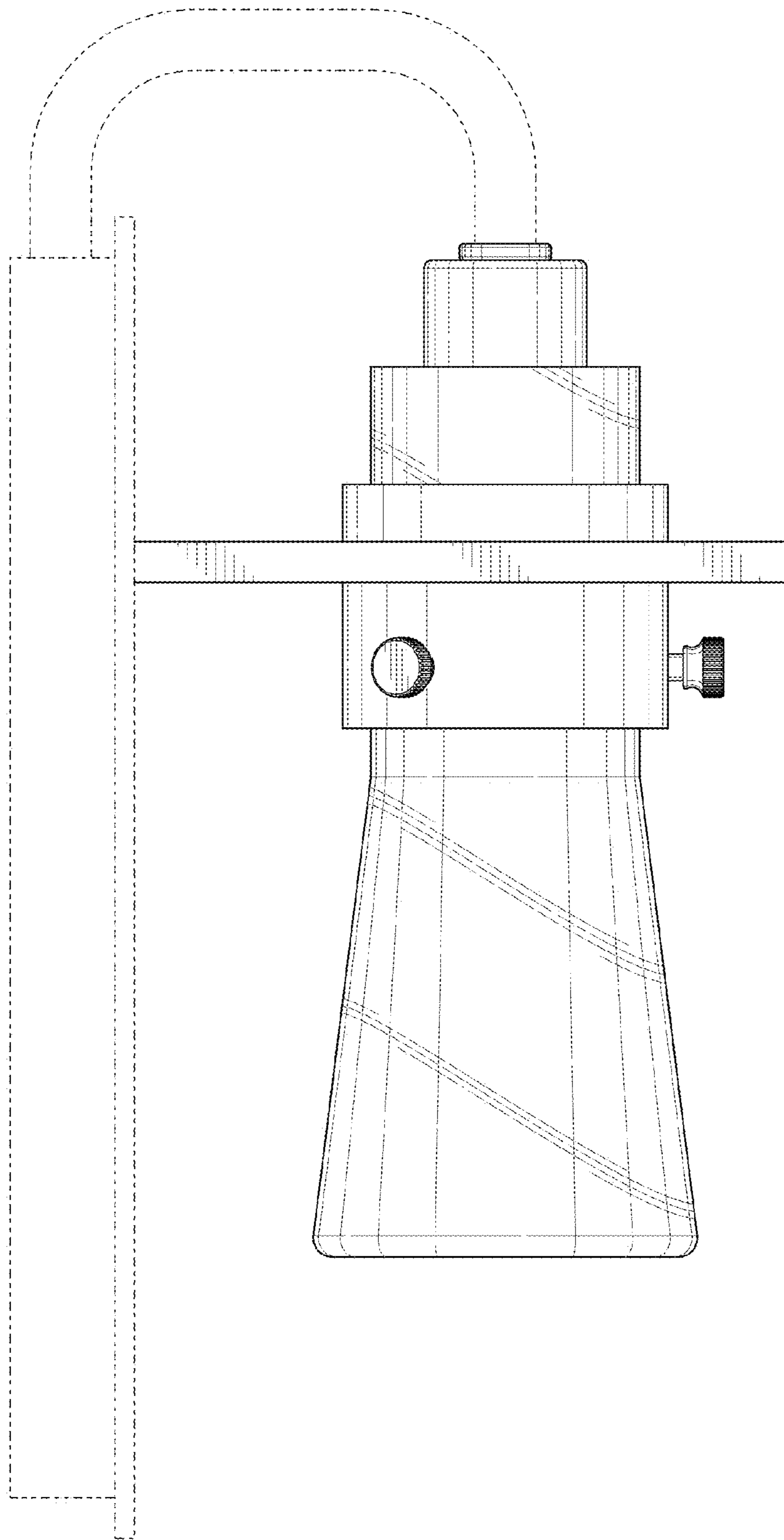


FIG. 4

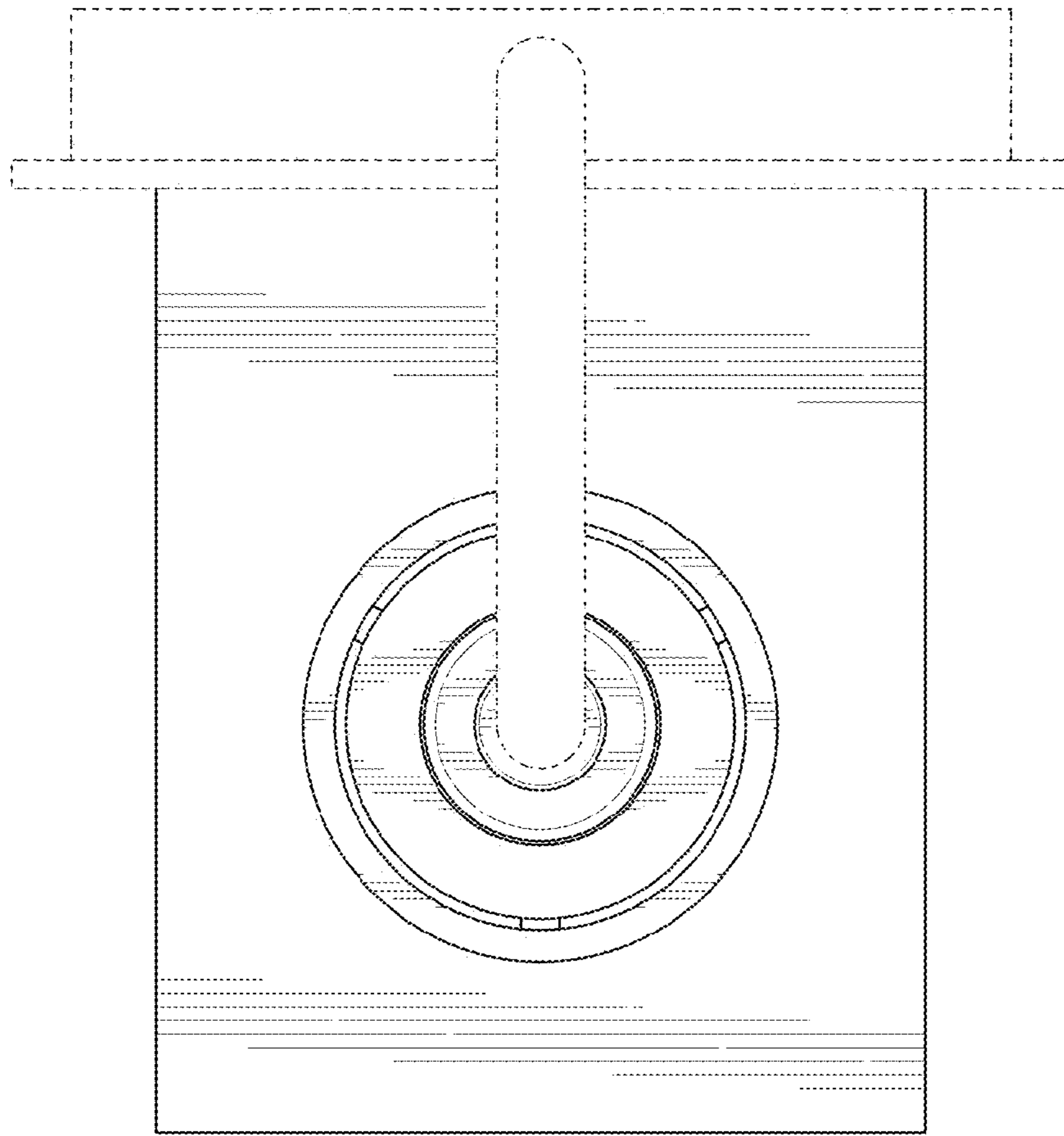


FIG. 5

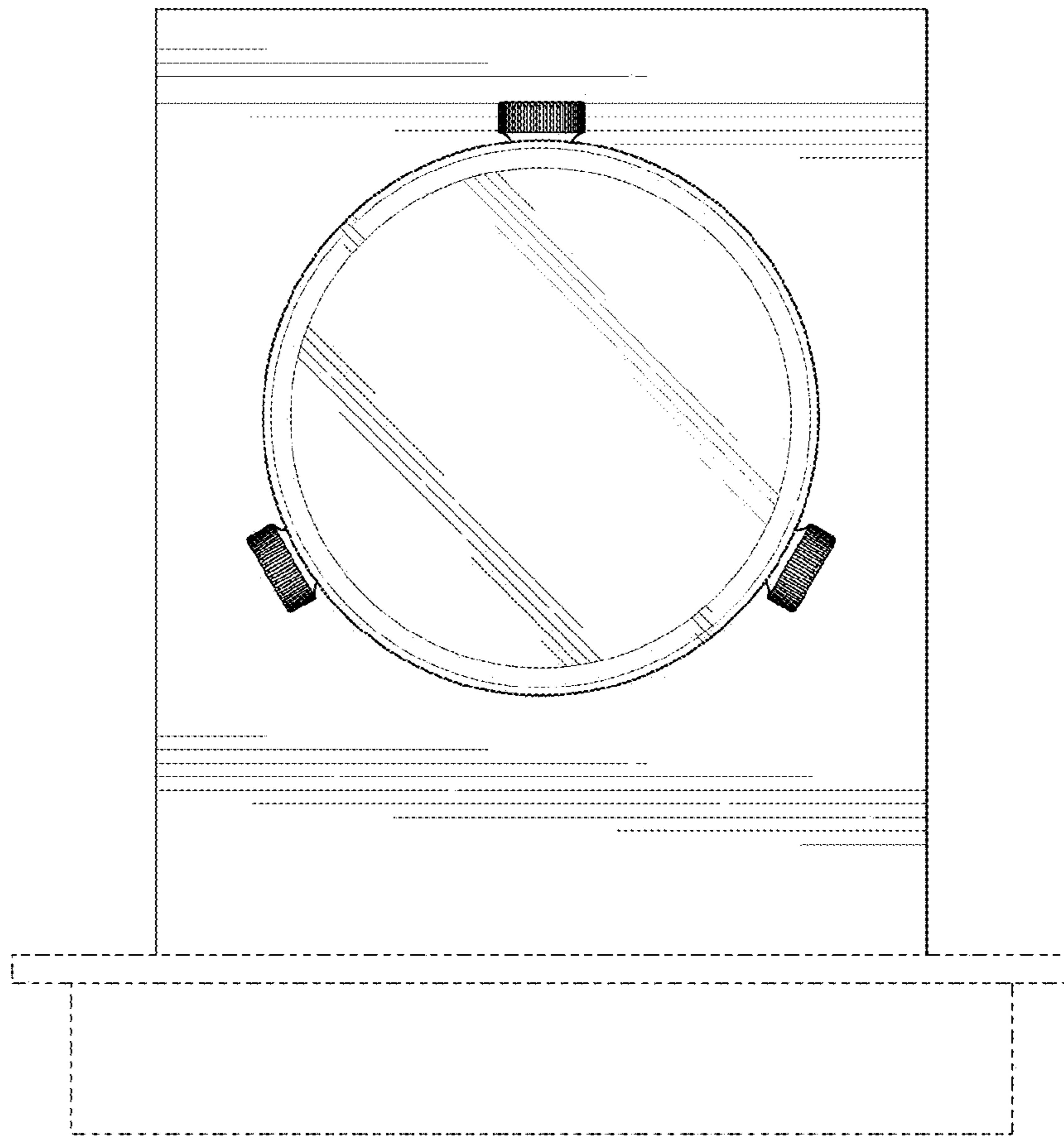


FIG. 6