



US00D709634S

(12) **United States Design Patent**
Coulbeaut

(10) **Patent No.:** **US D709,634 S**
(45) **Date of Patent:** **** Jul. 22, 2014**

(54) **OUTDOOR LIGHTING FIXTURE**

(71) Applicant: **Schreder, S.A.**, Brussels (BE)

(72) Inventor: **Thomas Coulbeaut**, Clermont les Fermes (FR)

(73) Assignee: **Schreder, S.A.**, Brussels (BE)

(**) Term: **14 Years**

(21) Appl. No.: **29/475,423**

(22) Filed: **Dec. 3, 2013**

(30) **Foreign Application Priority Data**

Jun. 4, 2013 (EM) 1373252-0002

(51) **LOC (10) Cl.** **26-05**

(52) **U.S. Cl.**
USPC **D26/71**

(58) **Field of Classification Search**
CPC F21S 8/085; F21S 8/086; F21S 8/088;
F21V 21/14
USPC D26/67-71, 92; 362/249.01, 249.02,
362/235-237, 157, 183, 431, 432
See application file for complete search history.

(56) **References Cited**

U.S. PATENT DOCUMENTS

D637,336 S * 5/2011 Van Klinken et al. D26/71
D645,190 S * 9/2011 Van Klinken et al. D26/71

D660,496 S * 5/2012 Akdag et al. D26/71
D665,940 S * 8/2012 Lane et al. D26/71
D673,318 S * 12/2012 Lane et al. D26/71
D675,768 S * 2/2013 Jurdana et al. D26/71
D676,589 S * 2/2013 Elam D26/71
D688,404 S * 8/2013 Boissevain et al. D26/71
D689,233 S * 9/2013 Boissevain et al. D26/71
D693,513 S * 11/2013 Nibaldi D26/71
D695,437 S * 12/2013 Johnson et al. D26/71
8,622,574 B2 * 1/2014 Liu 362/294
D699,383 S * 2/2014 Coulbeaut D26/71

* cited by examiner

Primary Examiner — Clare E Heflin

(74) *Attorney, Agent, or Firm* — Kirschstein, et al.

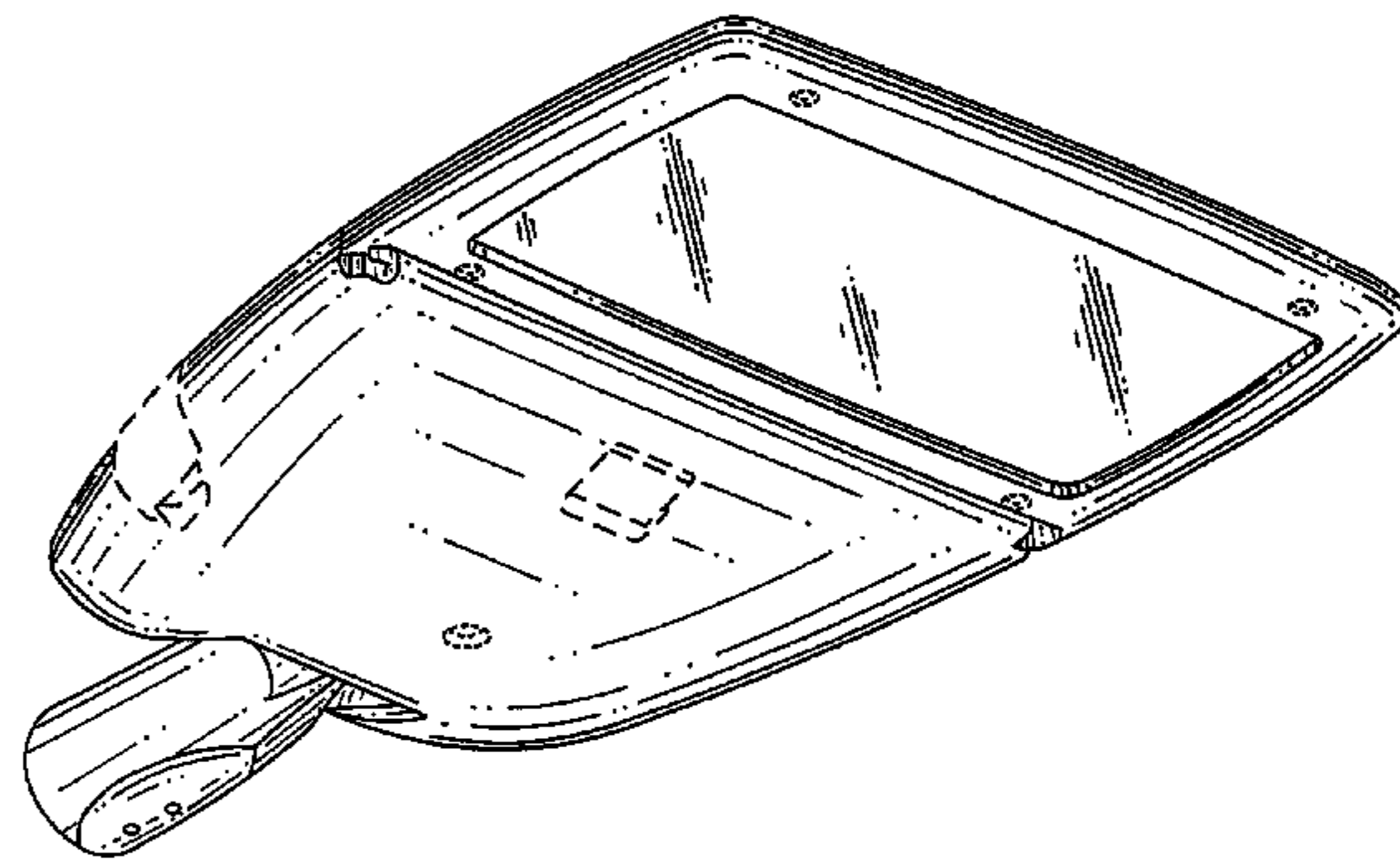
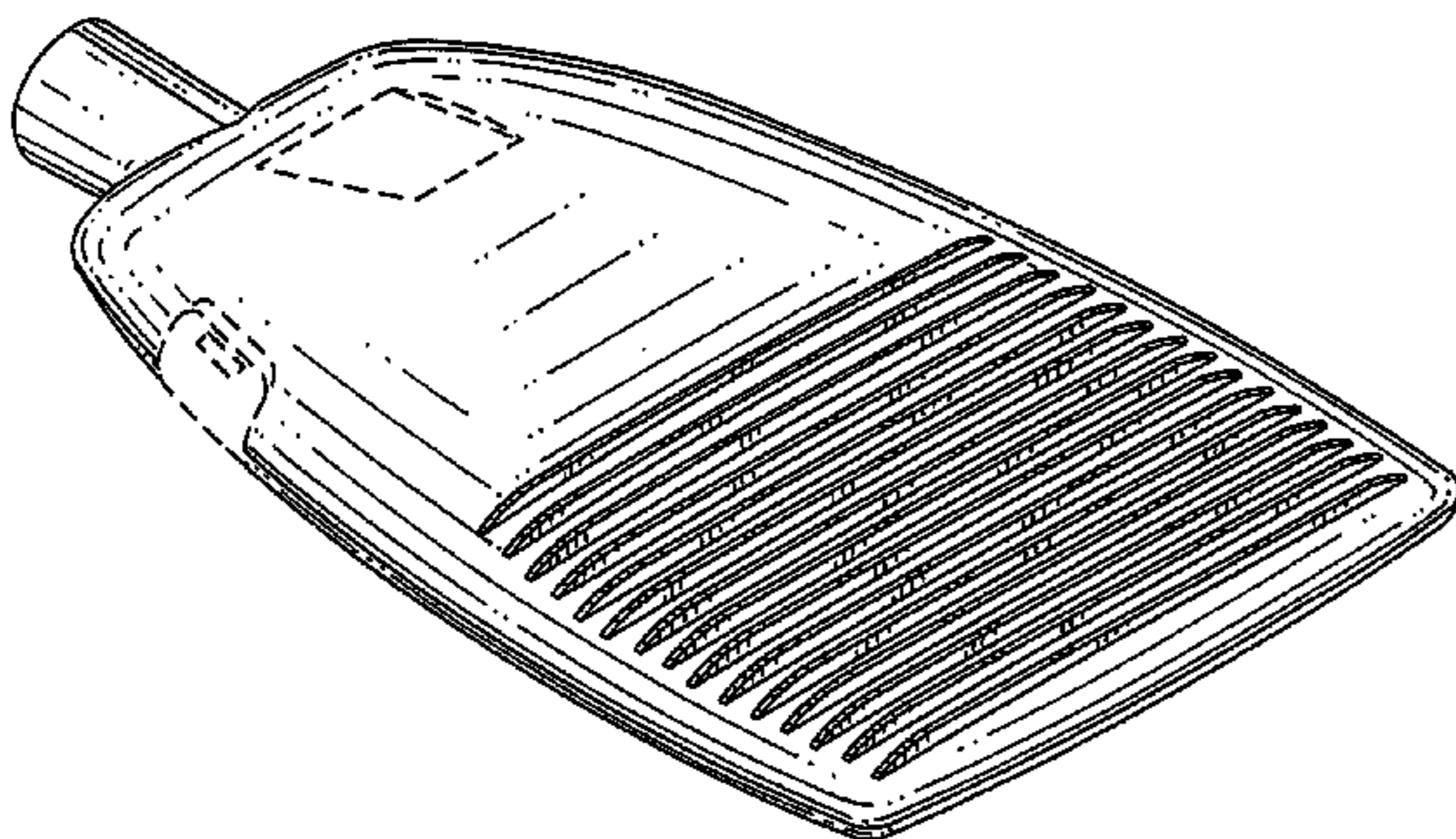
(57) **CLAIM**

The ornamental design for an outdoor lighting fixture, as shown and described.

DESCRIPTION

FIG. 1 is an upper perspective view of an outdoor lighting fixture according to my new design;
FIG. 2 is a top plan view thereof;
FIG. 3 is a front elevational view thereof;
FIG. 4 is a rear elevational view thereof;
FIG. 5 is a left side elevational view thereof;
FIG. 6 is a right side elevational view thereof;
FIG. 7 is a bottom plan view thereof; and,
FIG. 8 is a lower perspective view thereof.
The broken lines shown on the drawings depict portions of the outdoor lighting fixture that form no part of the claimed design.

1 Claim, 4 Drawing Sheets



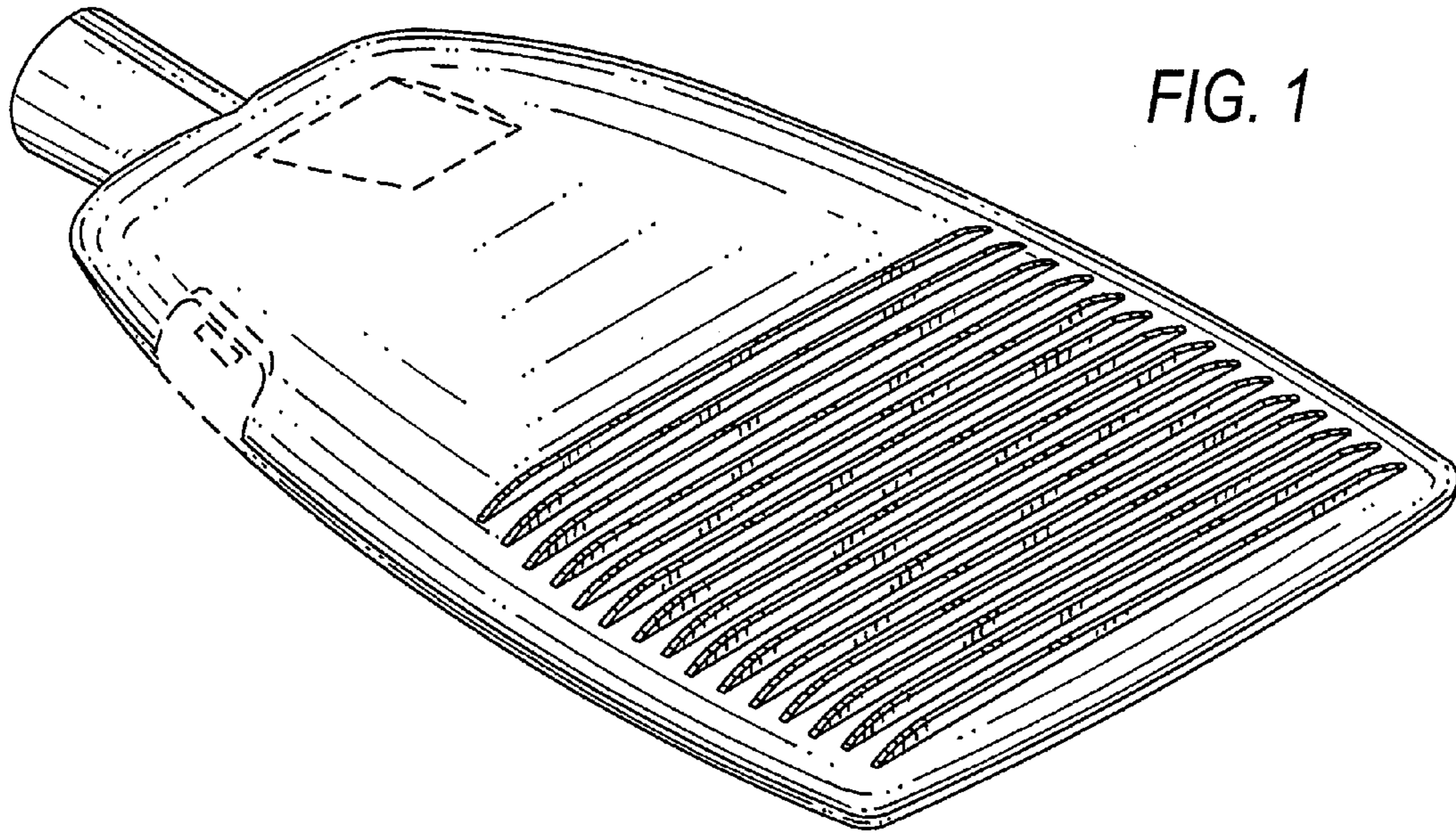


FIG. 1

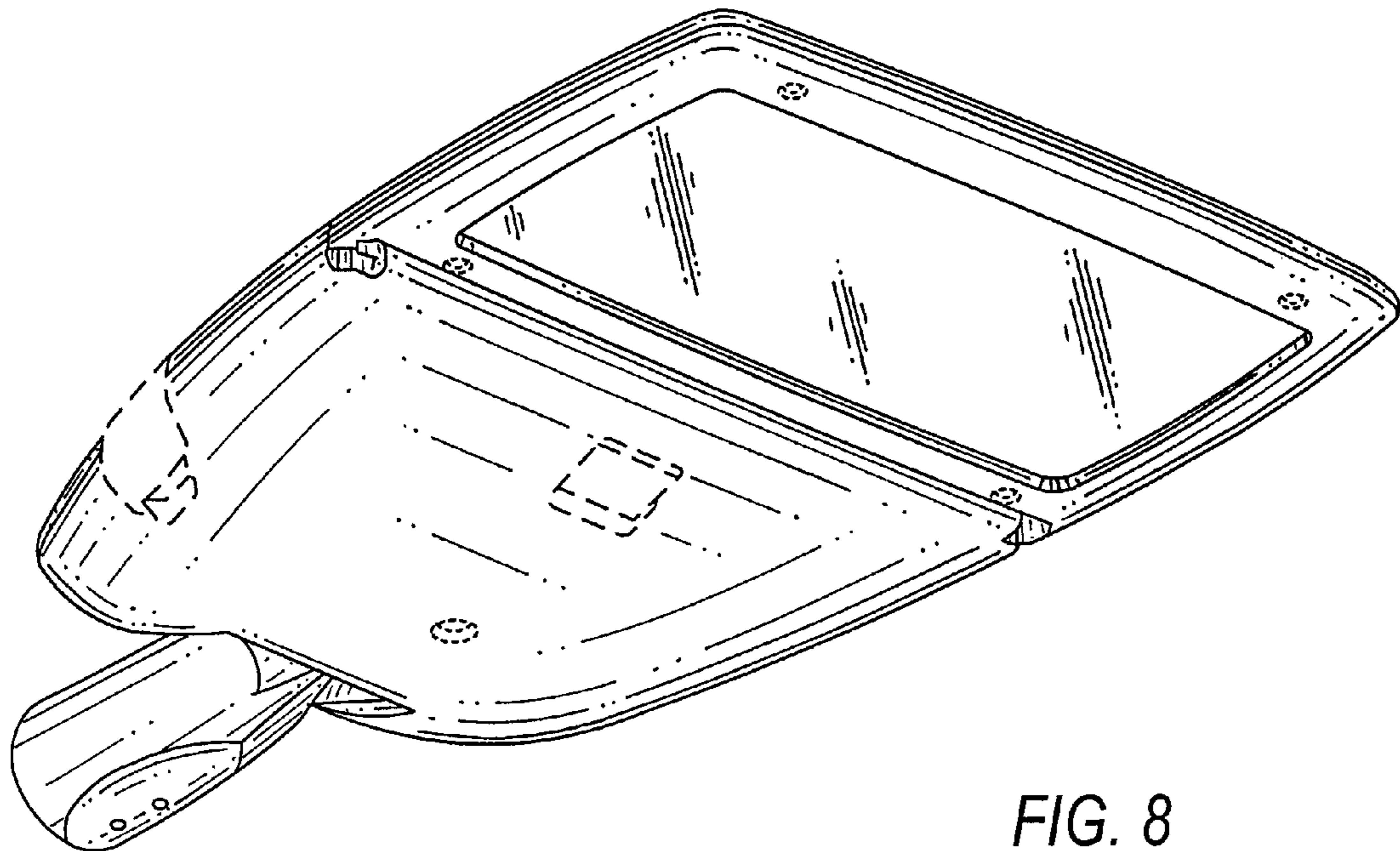


FIG. 8

FIG. 2

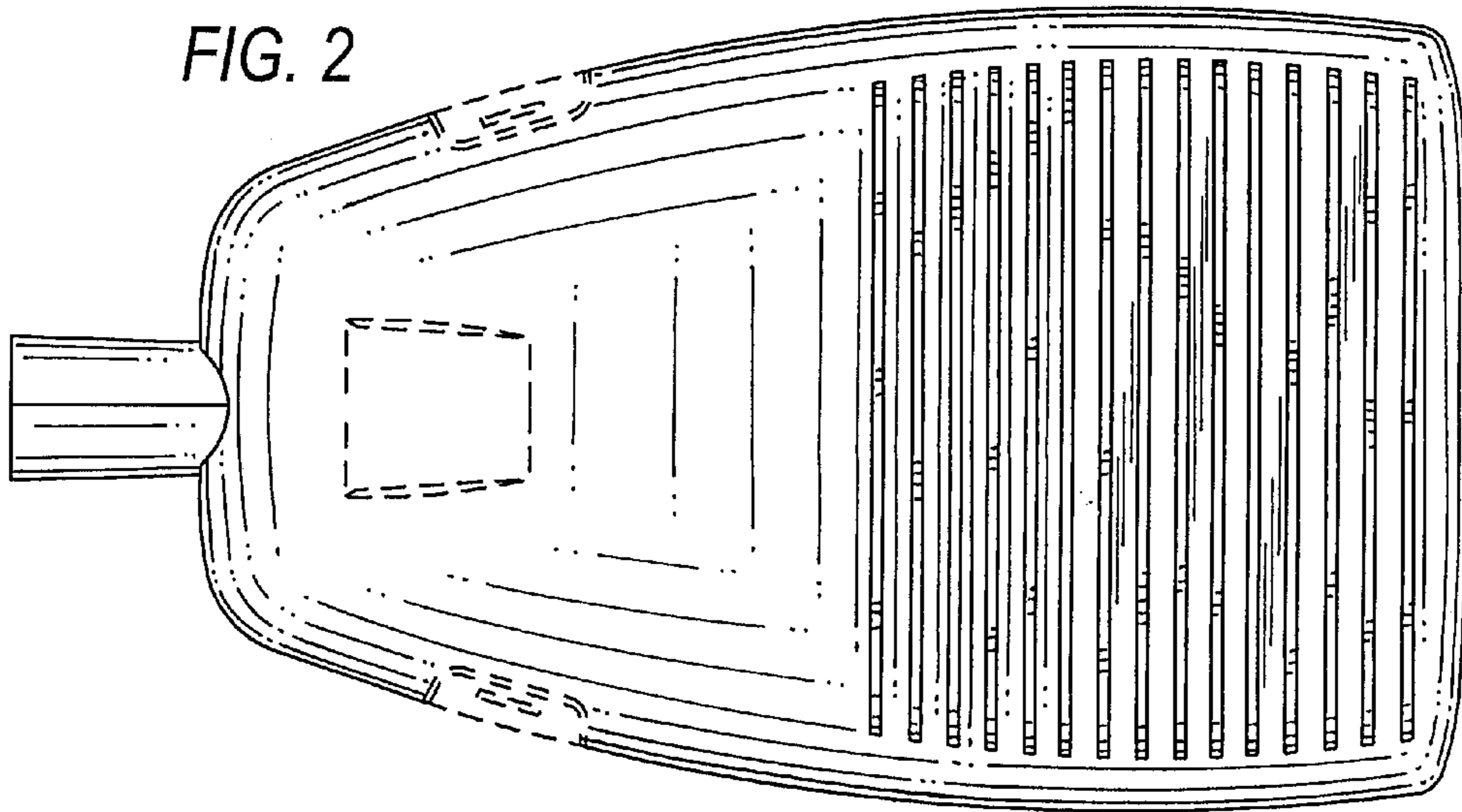


FIG. 7

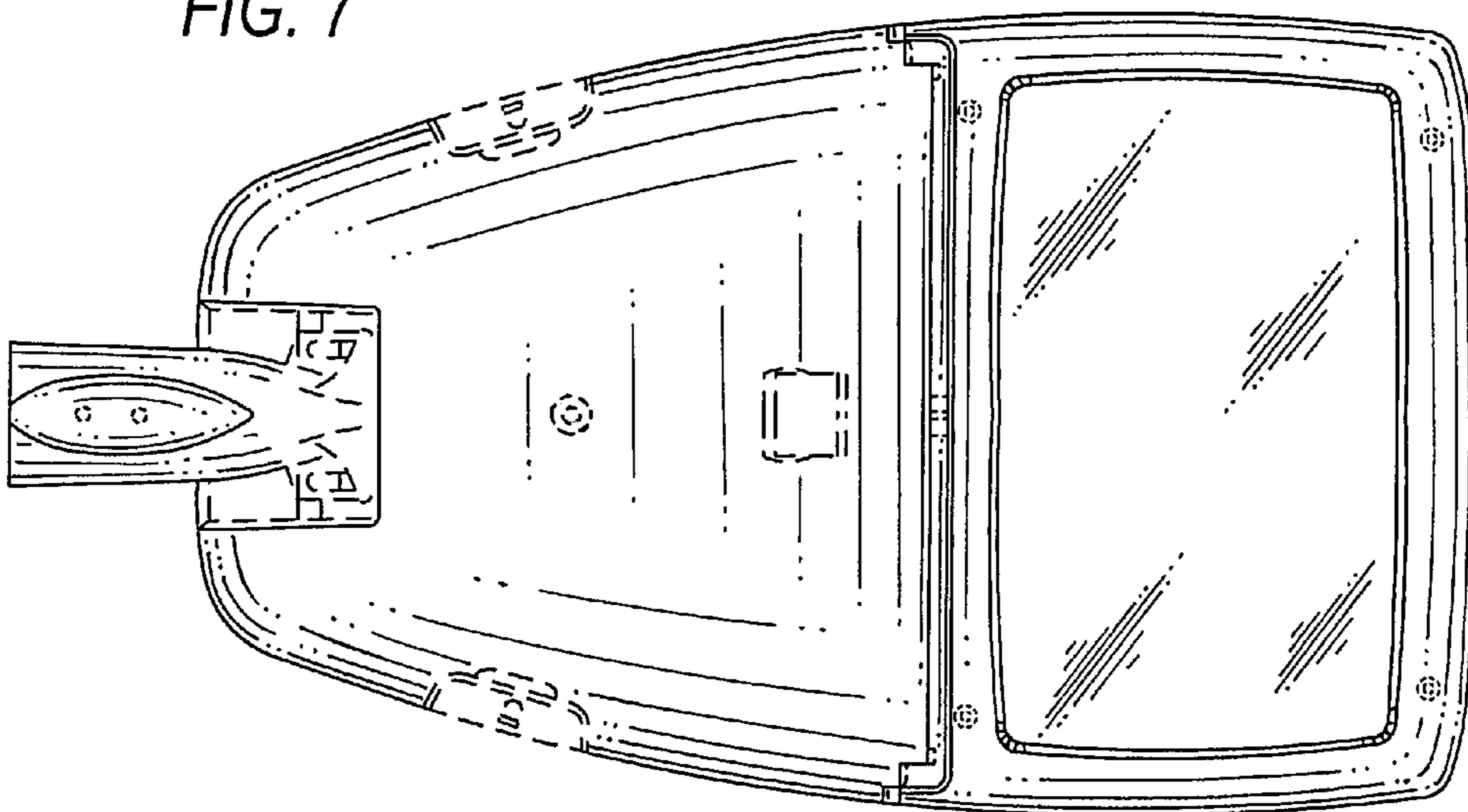


FIG. 3

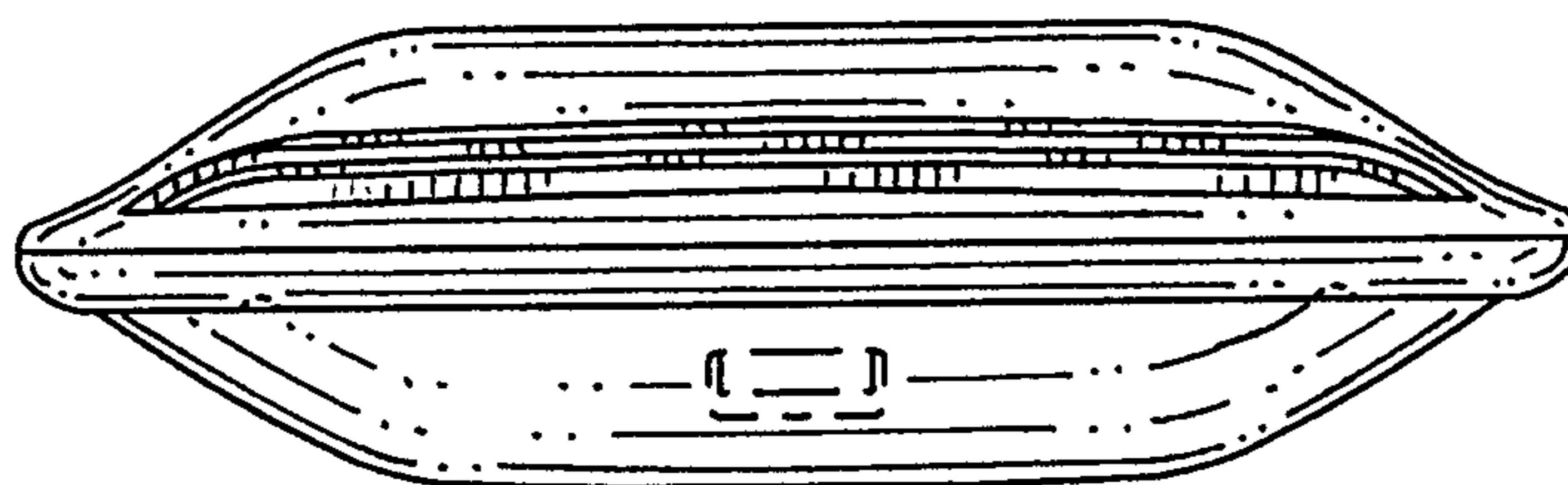


FIG. 4

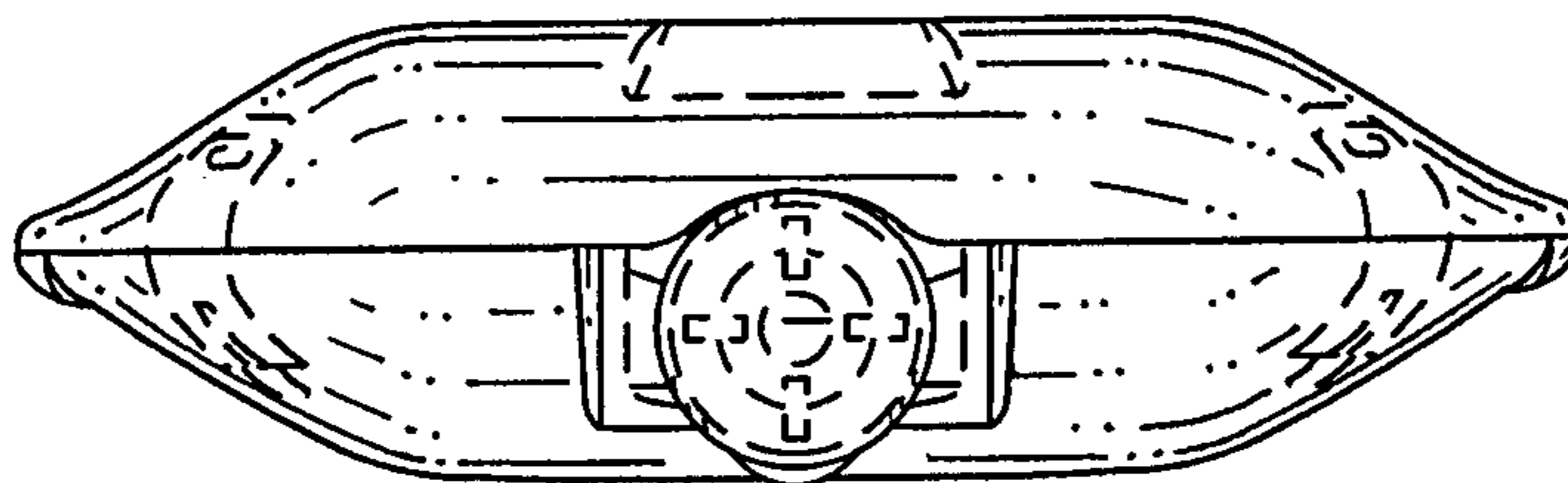


FIG. 5

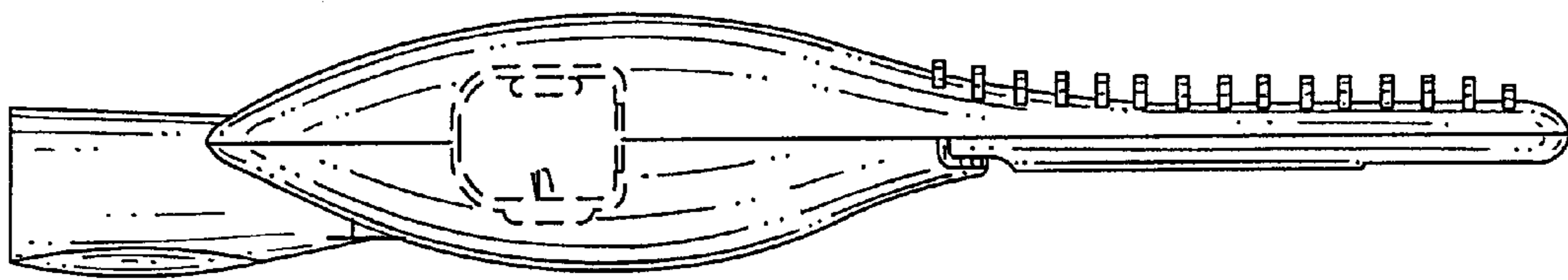


FIG. 6

