



US00D709626S

(12) **United States Design Patent**  
**Wise**

(10) **Patent No.:** **US D709,626 S**  
(45) **Date of Patent:** **\*\* Jul. 22, 2014**

- (54) **FOLD UP WORK HORSE**
- (71) Applicant: **Robert W. Wise**, Penngrove, CA (US)
- (72) Inventor: **Robert W. Wise**, Penngrove, CA (US)
- (\*\*) Term: **14 Years**
- (21) Appl. No.: **29/442,293**
- (22) Filed: **Jan. 24, 2013**
- (51) **LOC (10) Cl.** ..... **25-04**
- (52) **U.S. Cl.**  
USPC ..... **D25/67**
- (58) **Field of Classification Search**  
USPC ..... D25/67; 144/286.1; 182/224, 225,  
182/179.1, 181.1, 152, 153, 155  
See application file for complete search history.

D471,287 S \* 3/2003 Sommerville et al. .... D25/67  
6,745,804 B2 \* 6/2004 Welsh et al. .... 144/287  
\* cited by examiner

*Primary Examiner* — Doris Clark  
(74) *Attorney, Agent, or Firm* — Lowe Graham Jones PLLC

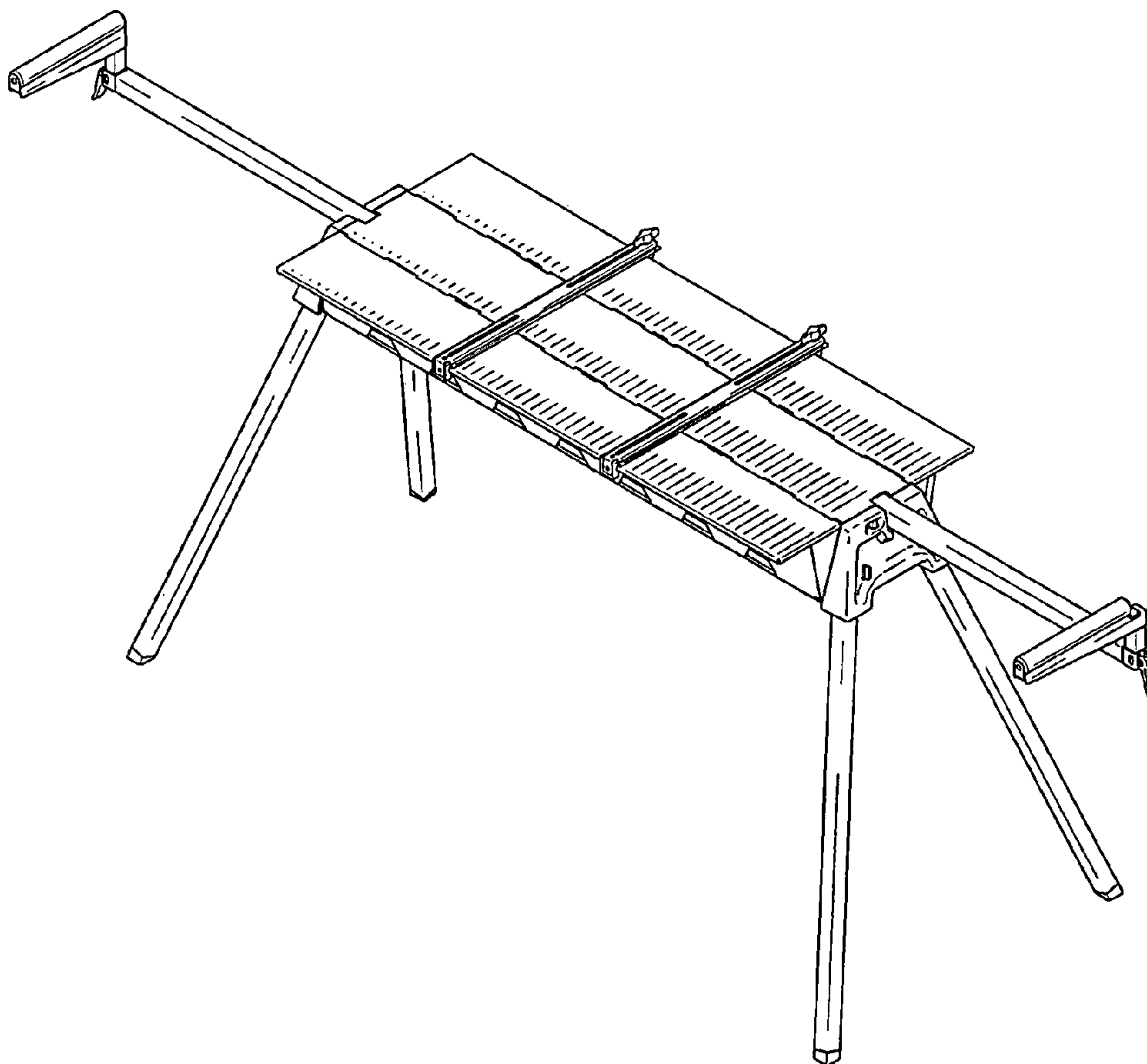
(57) **CLAIM**  
The ornamental design for a fold up work horse, as shown and described.

**DESCRIPTION**

FIG. 1 is a top front perspective view of a fold up work horse showing my new design in an open position.  
FIG. 2 is a left side elevational view thereof.  
FIG. 3 is a top plan view thereof.  
FIG. 4 is a front elevational view thereof.  
FIG. 5 is a rear elevational view thereof.  
FIG. 6 is a right side elevational view thereof.  
FIG. 7 is a bottom plan view thereof; and,  
FIG. 8 is a top front perspective view thereof in a closed position.

- (56) **References Cited**  
U.S. PATENT DOCUMENTS  
4,884,658 A \* 12/1989 Banfield ..... 182/129  
6,155,318 A \* 12/2000 Underwood ..... 144/286.1

**1 Claim, 7 Drawing Sheets**



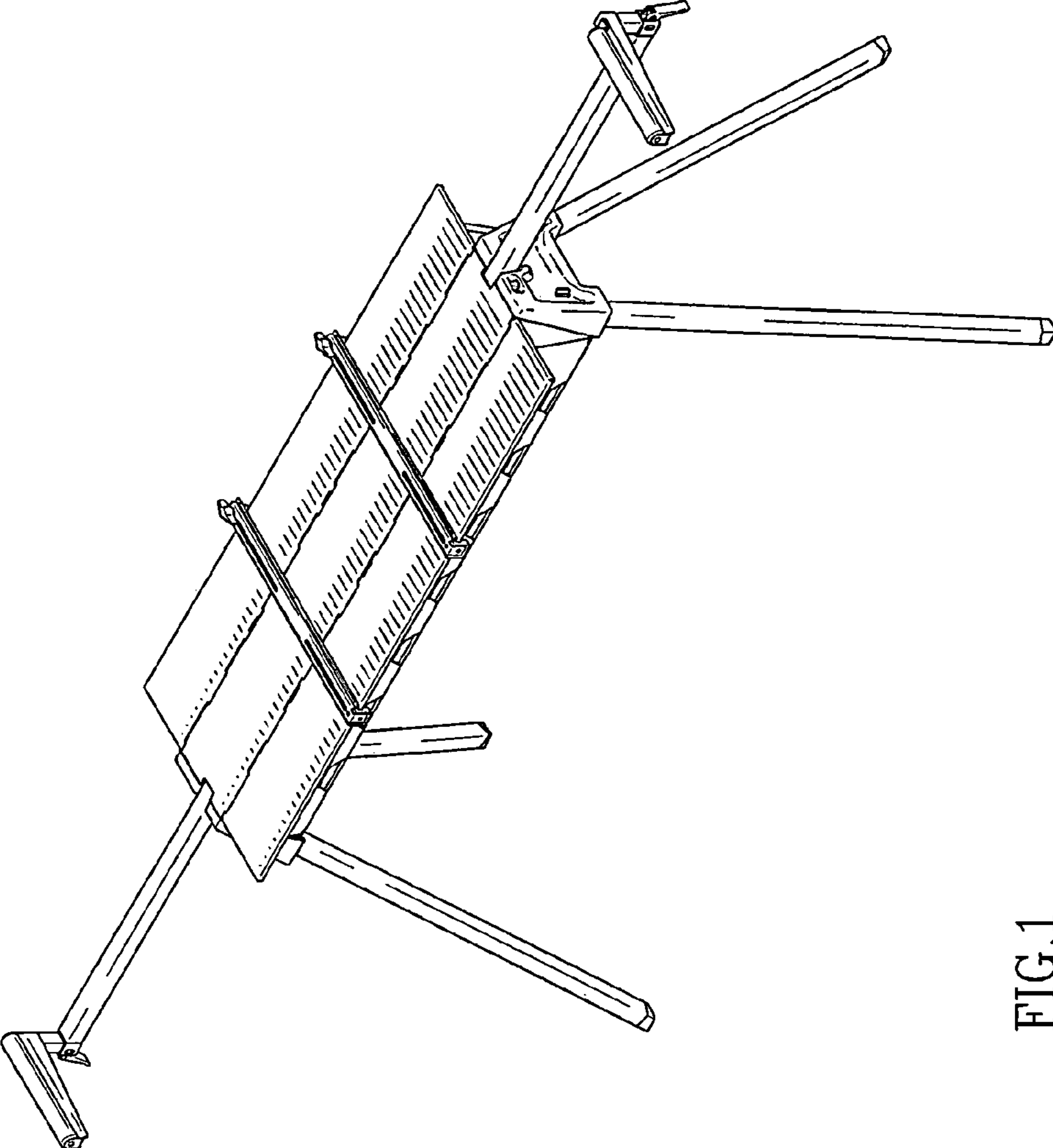


FIG.1

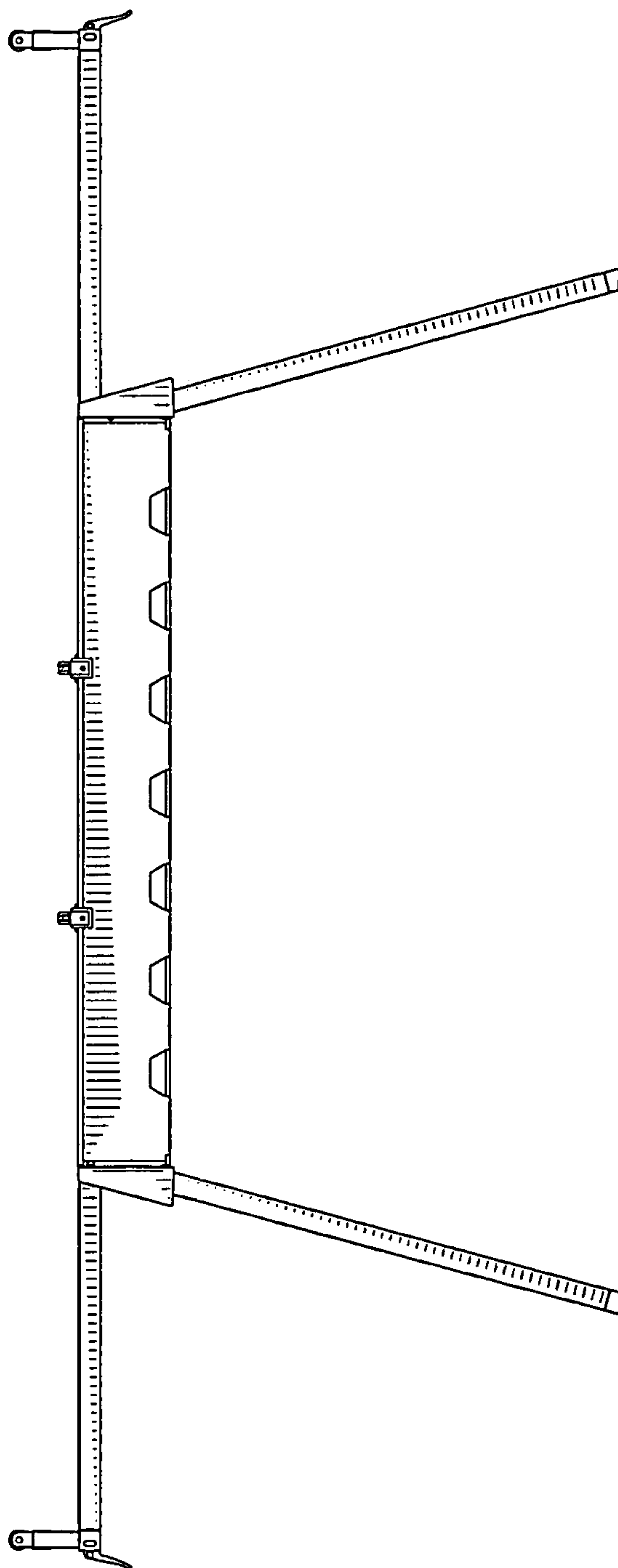


FIG. 2

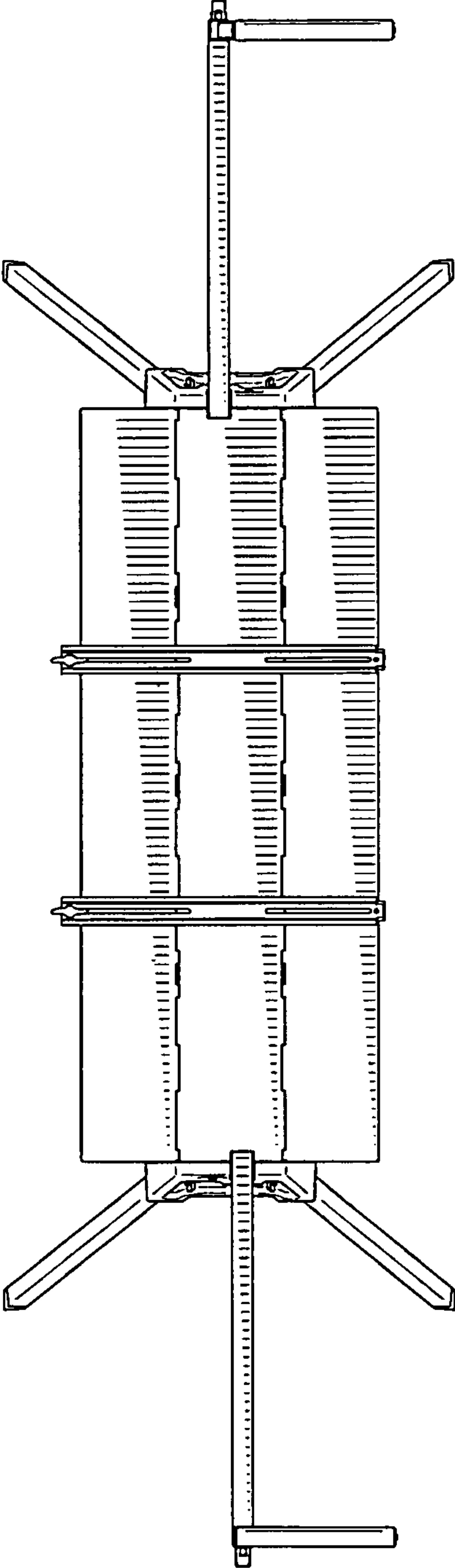


FIG. 3

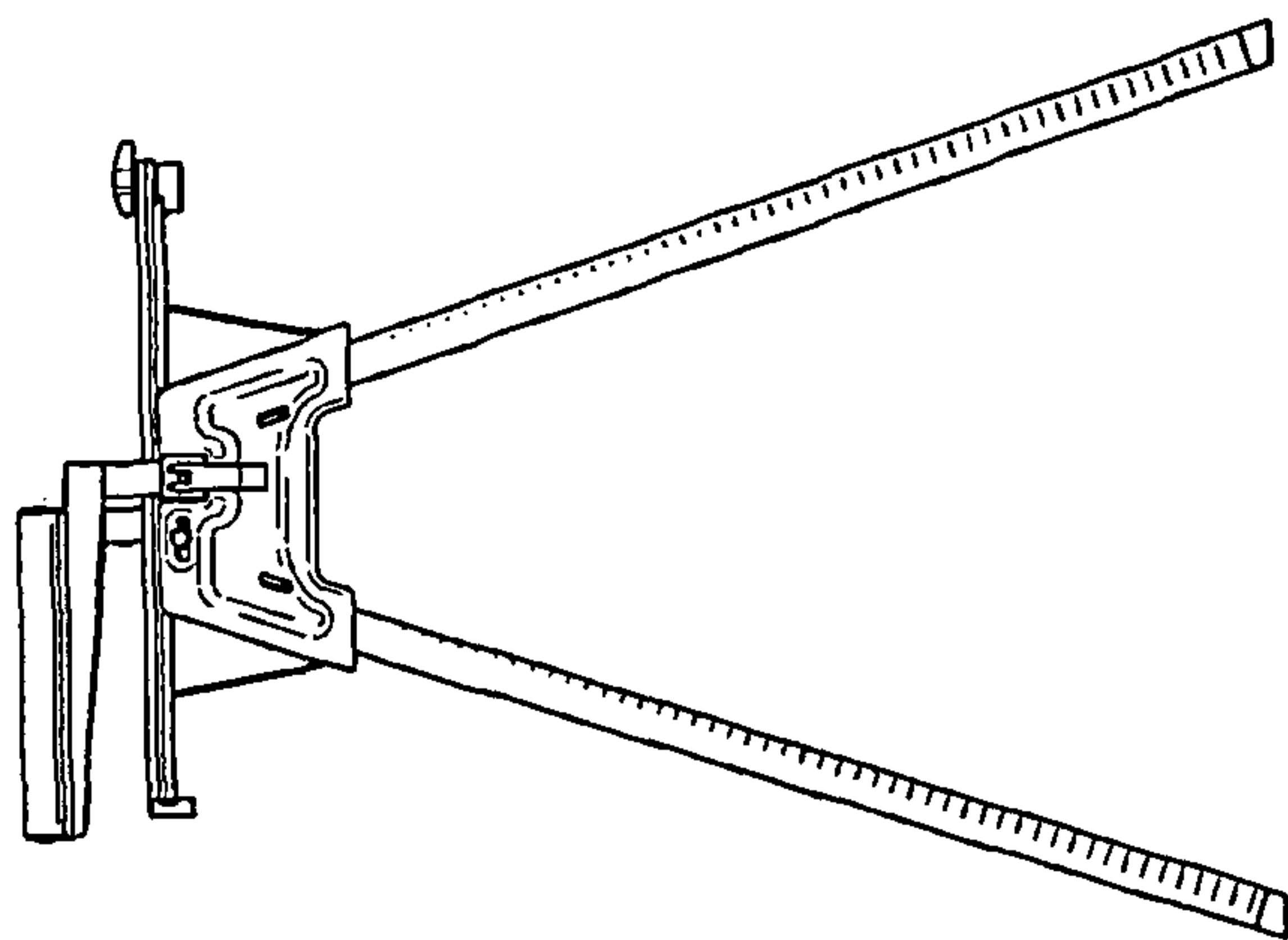


FIG. 5

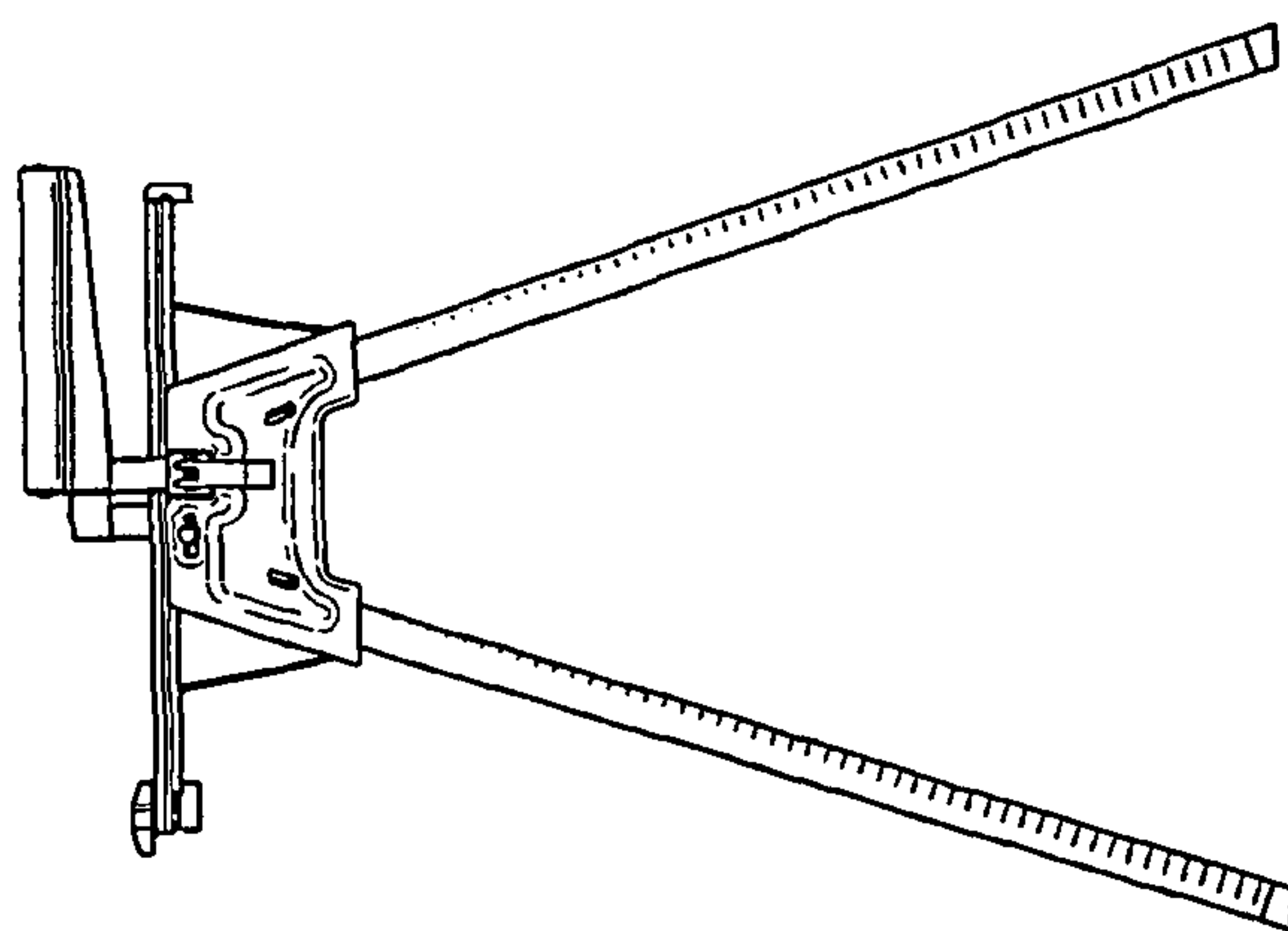


FIG. 4

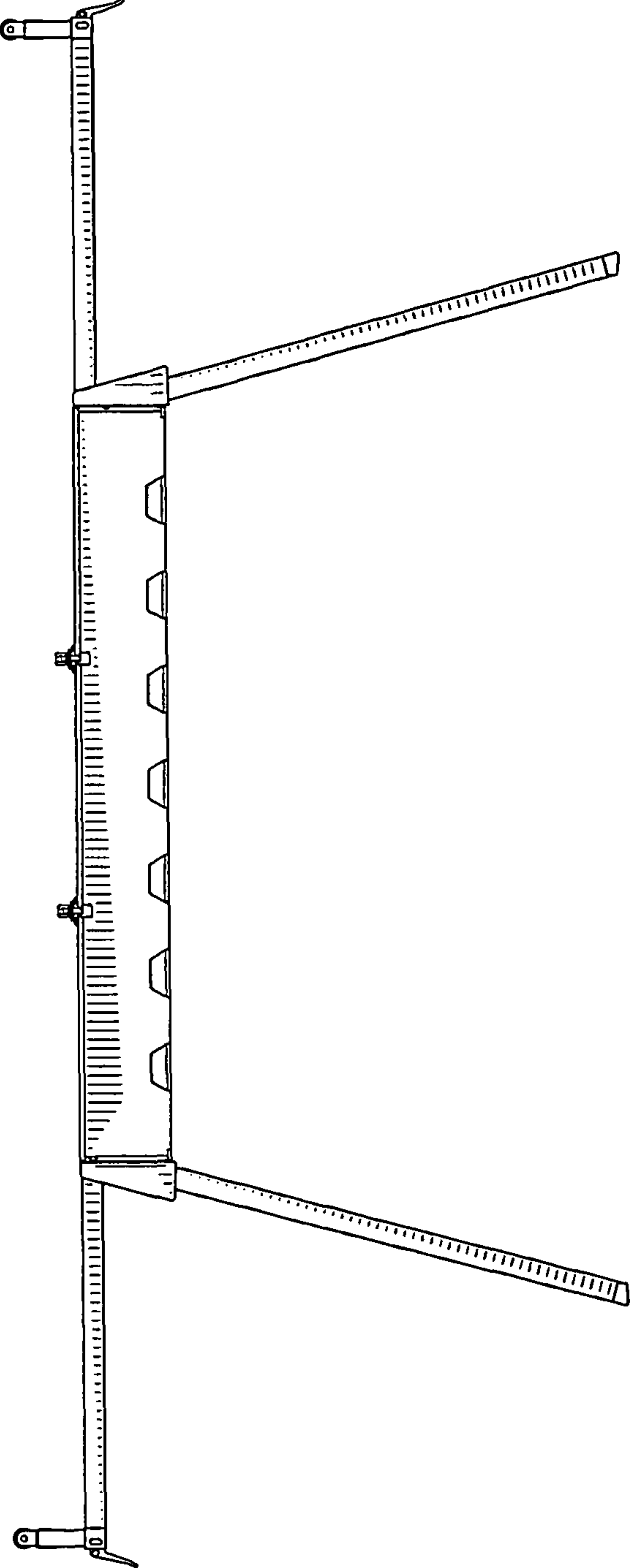


FIG. 6

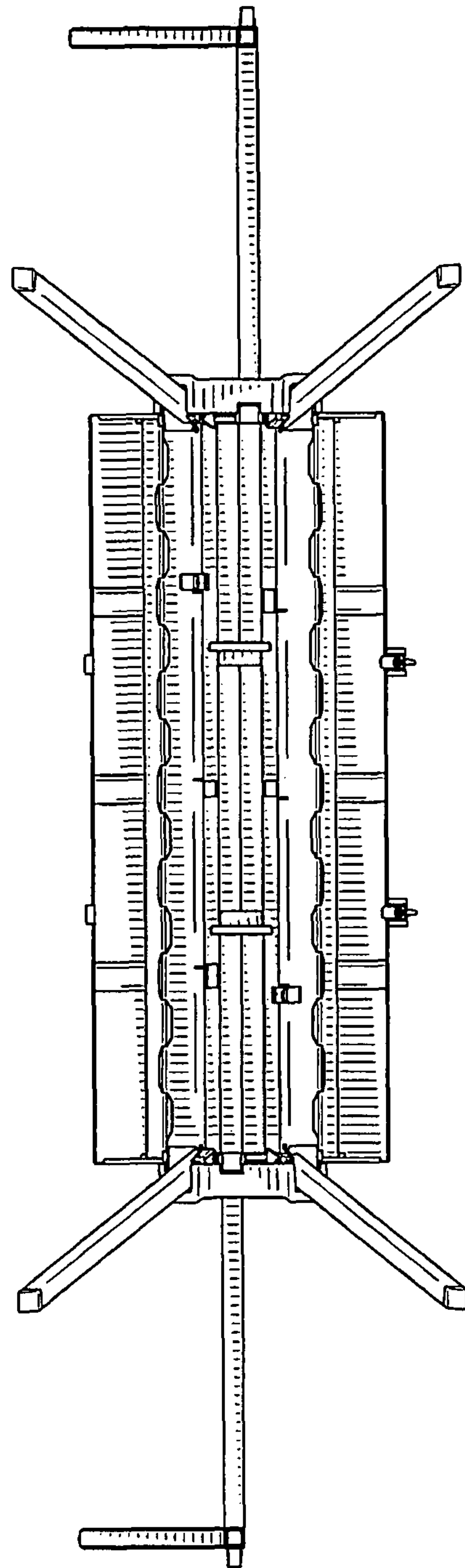


FIG. 7

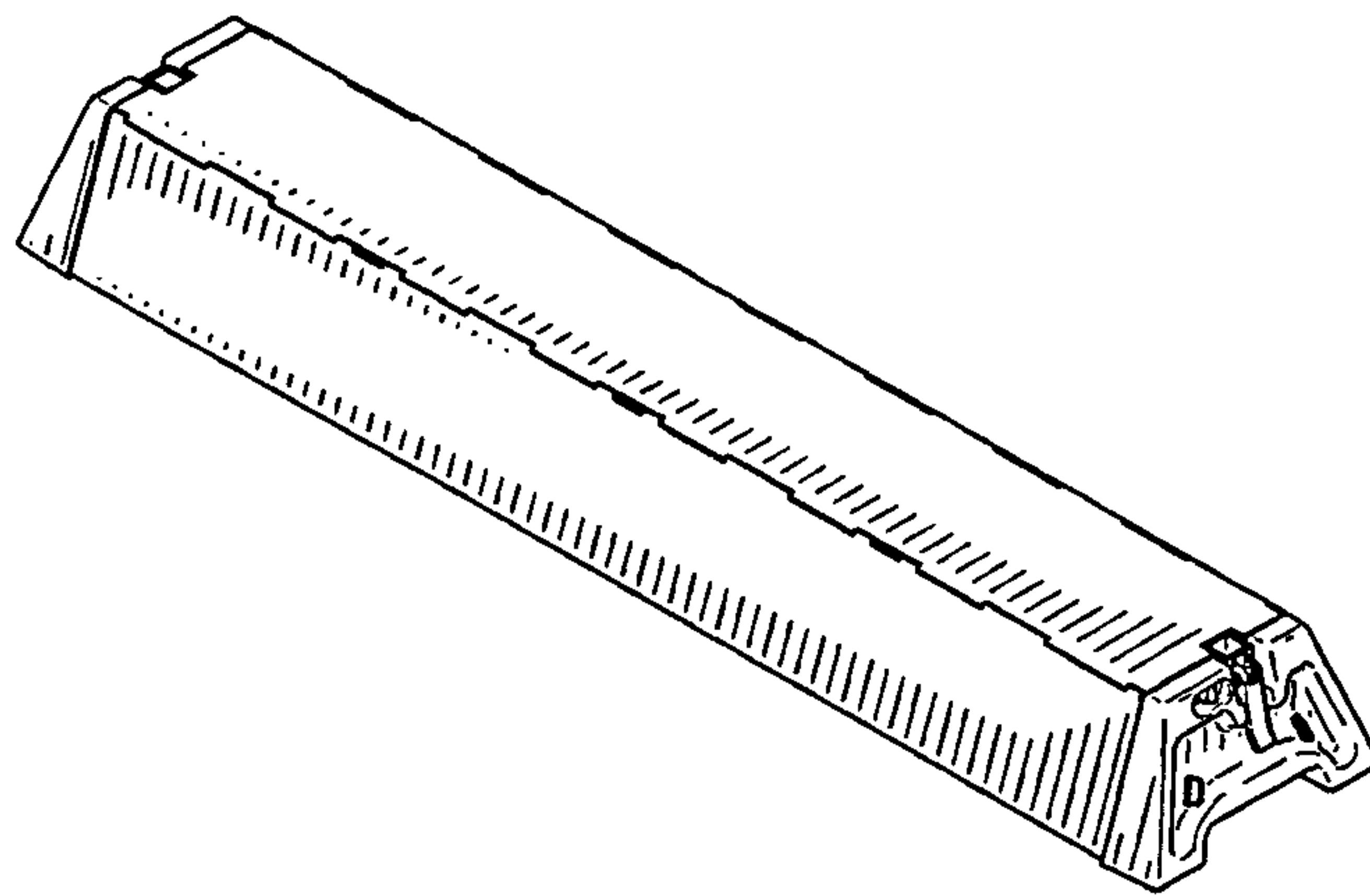


FIG.8