



US00D709625S

(12) **United States Design Patent**
Baum et al.

(10) **Patent No.:** **US D709,625 S**
(45) **Date of Patent:** **** Jul. 22, 2014**

(54) **PROCESS TUBE STRIP**

(71) Applicant: **Becton, Dickinson and Company,**
Franklin Lakes, NJ (US)

(72) Inventors: **Michael J. Baum,** Fallston, MD (US);
Brent Pohl, Timonium, MD (US); **Ed**
Belsinger, Forest Hill, MD (US)

(73) Assignee: **Becton, Dickinson and Company,**
Franklin Lakes, NJ (US)

(**) Term: **14 Years**

(21) Appl. No.: **29/450,191**

(22) Filed: **Mar. 15, 2013**

(51) **LOC (10) Cl.** **24-01**

(52) **U.S. Cl.**
USPC **D24/224**

(58) **Field of Classification Search**
USPC D24/216, 219, 223–226, 227, 229–231,
D24/232, 121; D10/81; 422/500, 547,
422/551–554, 550, 568, 569;
435/305.1–305.4

See application file for complete search history.

(56) **References Cited**

U.S. PATENT DOCUMENTS

4,956,150 A * 9/1990 Henry 422/553
D367,932 S * 3/1996 Lim D24/226
5,683,659 A * 11/1997 Hovatter 422/548
5,948,363 A 9/1999 Gaillard
6,027,694 A * 2/2000 Boulton et al. 422/553

D445,907 S * 7/2001 Monks D24/224
D453,573 S * 2/2002 Lafond et al. D24/224
D605,303 S * 12/2009 Monks D24/224
D608,013 S * 1/2010 Coulling et al. D24/224
D624,659 S * 9/2010 Nuotio D24/224
D679,830 S * 4/2013 May et al. D24/224
D684,703 S * 6/2013 Watzele et al. D24/224
D687,567 S * 8/2013 Jungheim et al. D24/224
2007/0116613 A1 5/2007 Elsener
2009/0047180 A1 2/2009 Kawahara
2013/0029343 A1* 1/2013 Day et al. 422/547

FOREIGN PATENT DOCUMENTS

EP 1077086 A2 2/2001
EP 1346772 A2 9/2003
GB 2453432 A 4/2009
WO WO 2011/101467 8/2011

* cited by examiner

Primary Examiner — Anhdao Doan

(74) *Attorney, Agent, or Firm* — Knobbe Martens Olson &
Bear, LLP

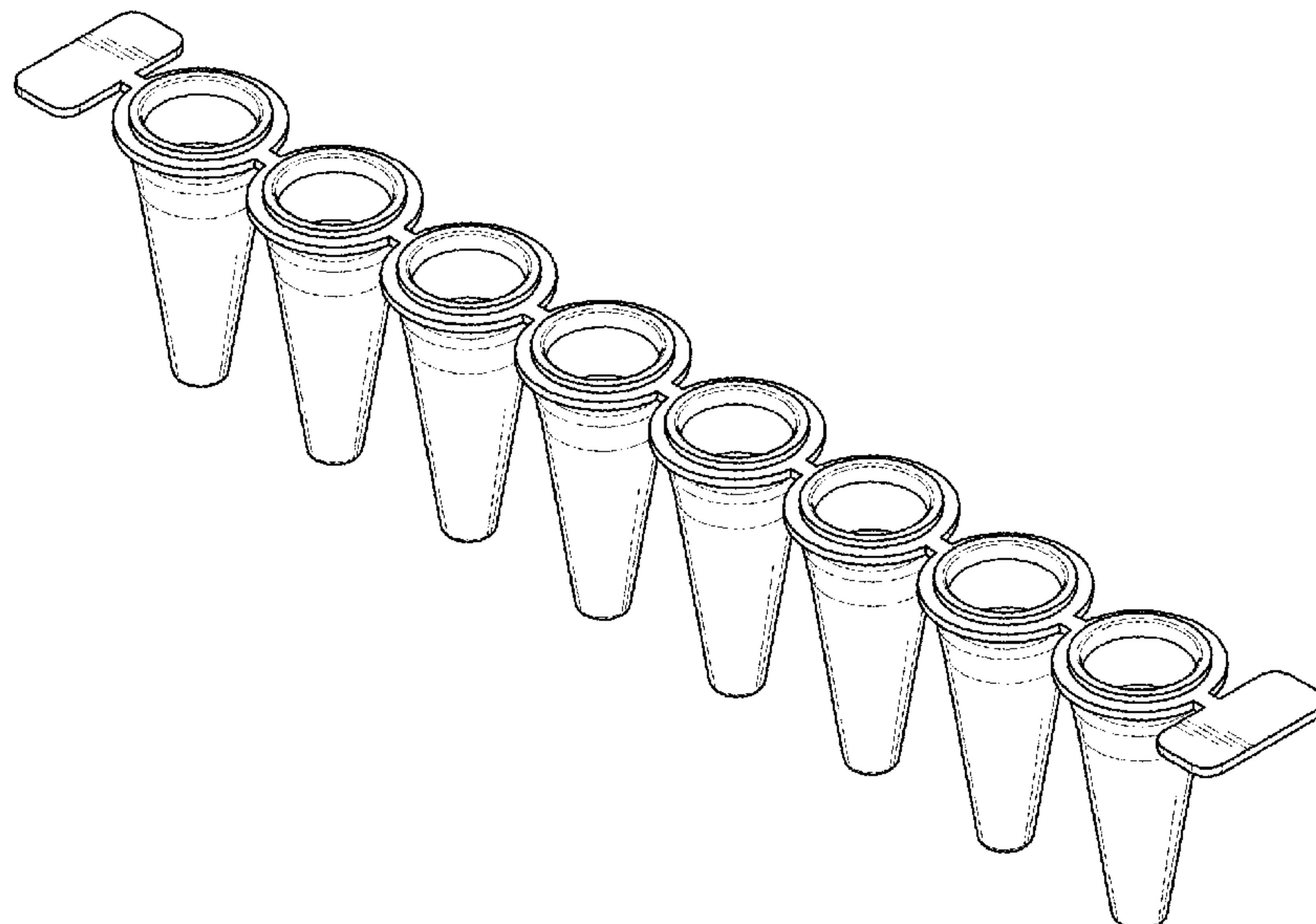
(57) **CLAIM**

The ornamental design for a process tube strip, substantially
as shown and described herein.

DESCRIPTION

FIG. 1 is a perspective view of a process tube strip;
FIG. 2 is a side plan view of the process tube strip;
FIG. 3 is a top plan view of the process tube strip;
FIG. 4 is a bottom plan view of the process tube strip;
FIG. 5 is an end plan view of the process tube strip; and,
FIG. 6 is a cross-sectional view of a process tube in the
process tube strip taken along line 6 in FIG. 3.

1 Claim, 4 Drawing Sheets



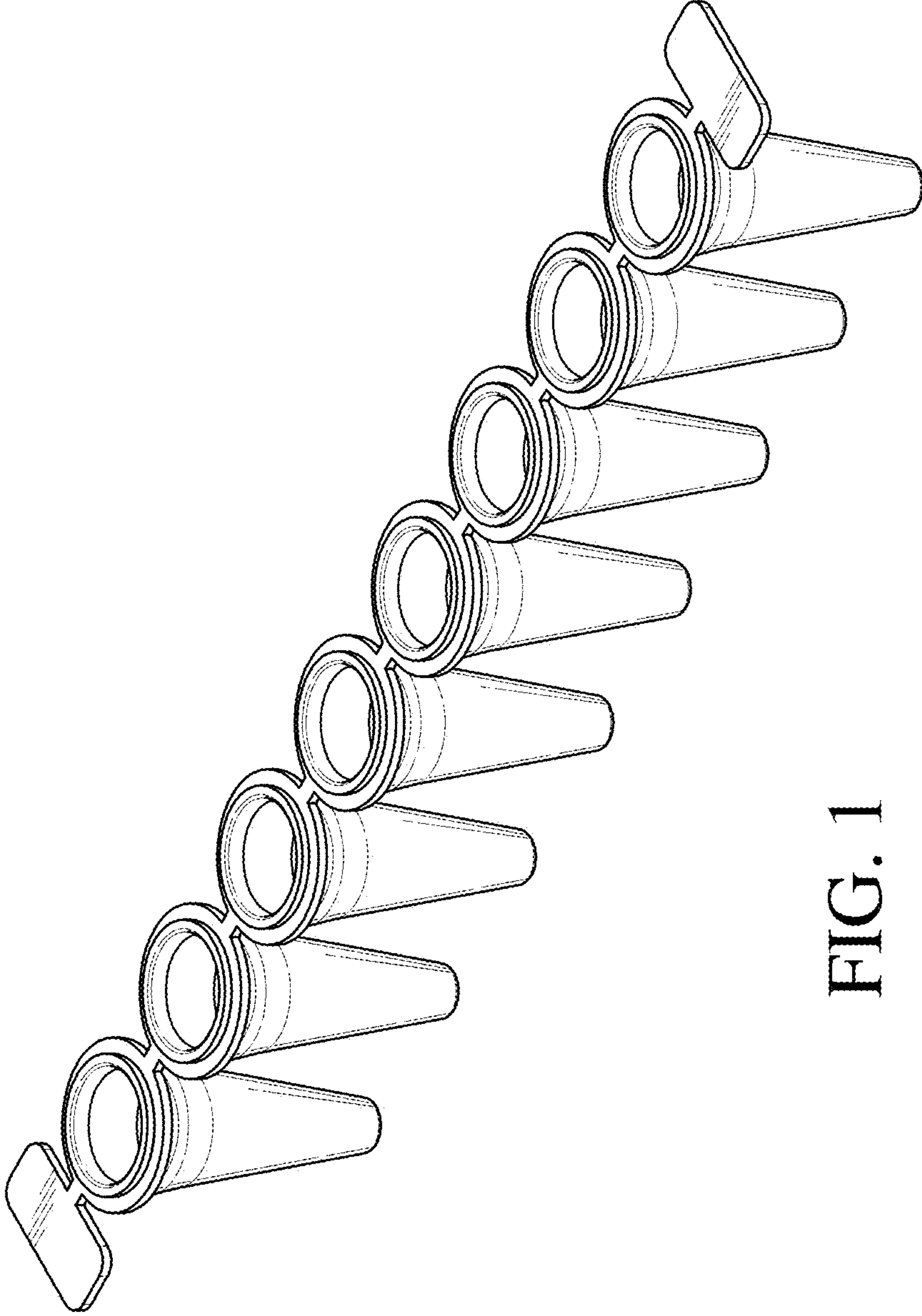


FIG. 1

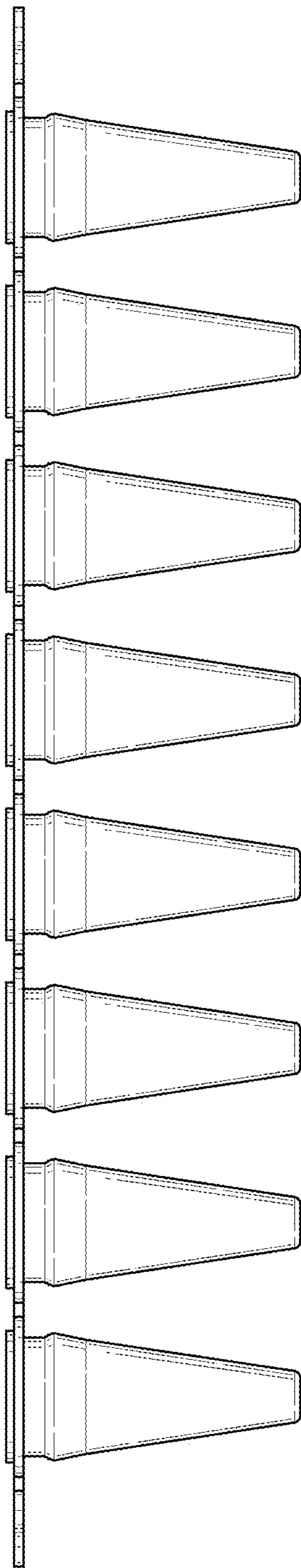


FIG. 2

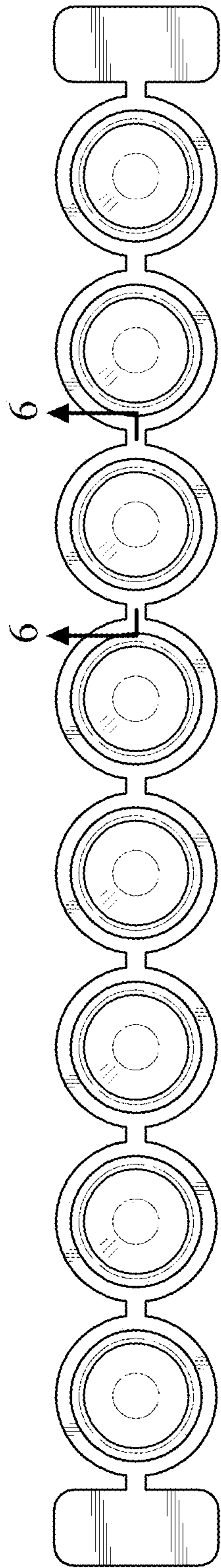


FIG. 3

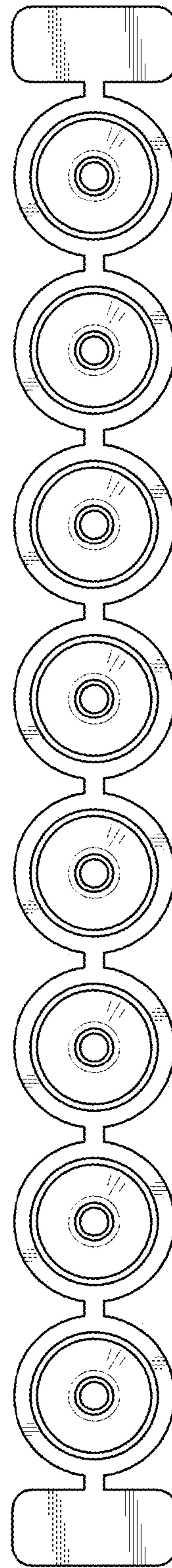


FIG. 4

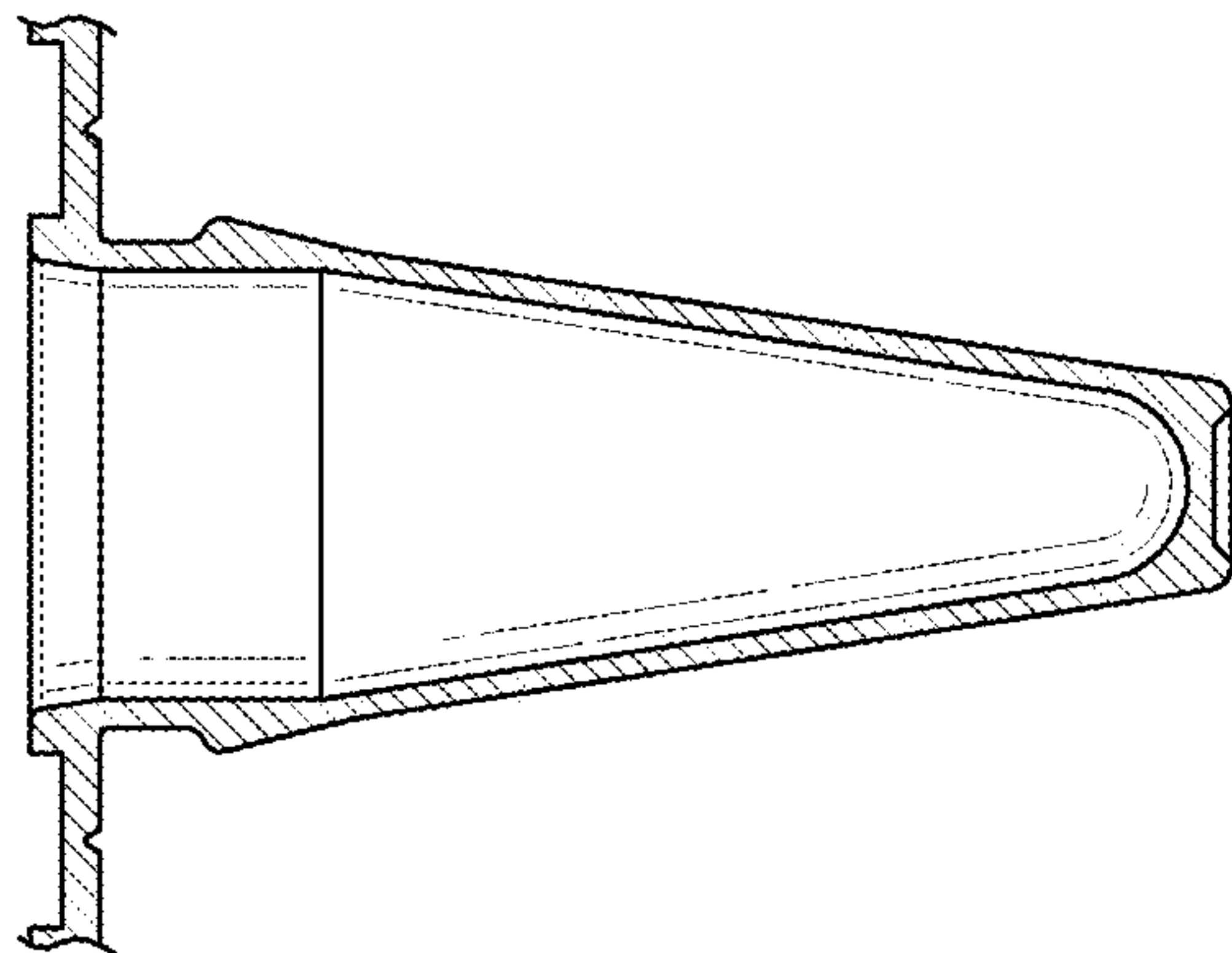


FIG. 6

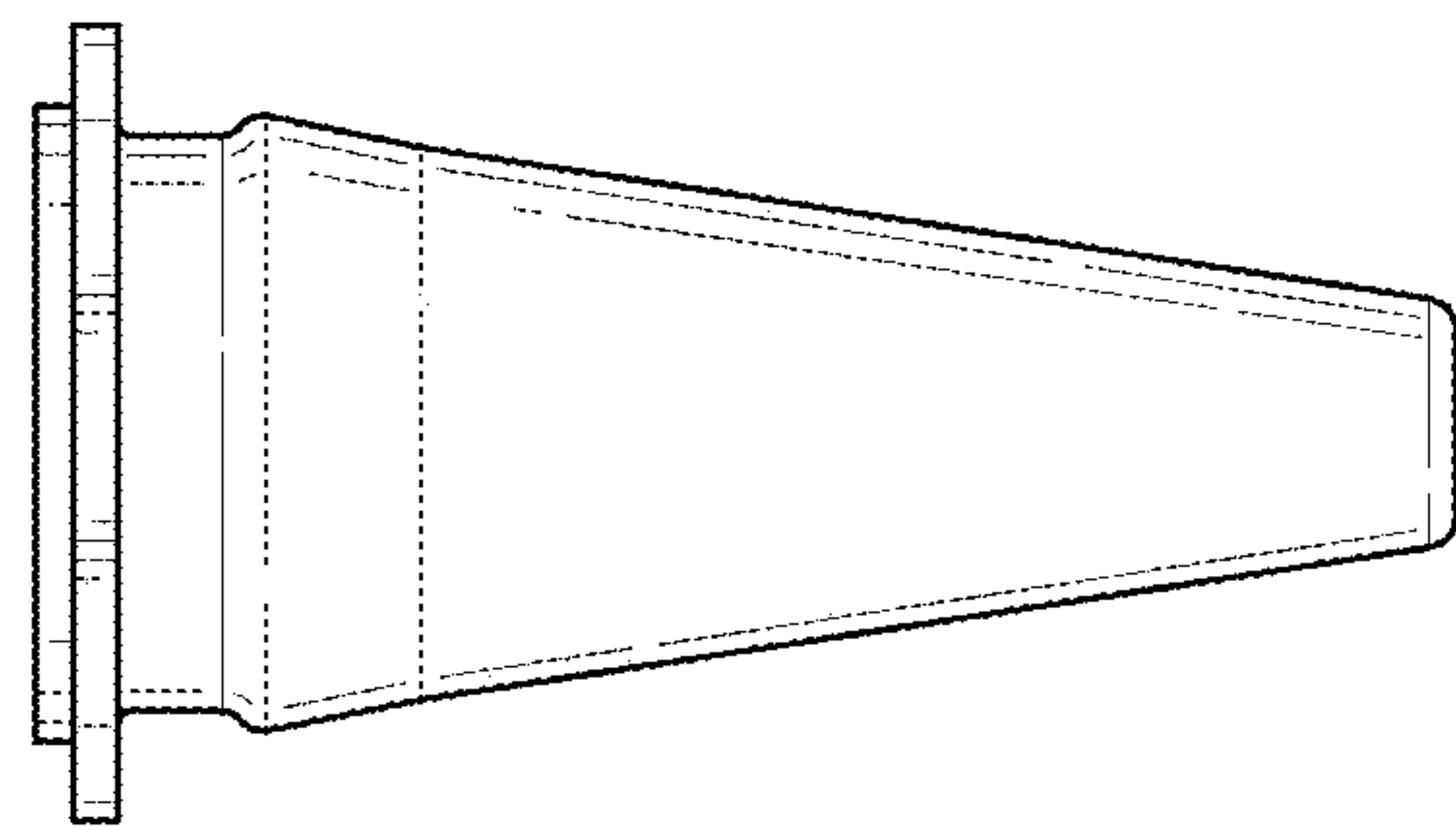


FIG. 5