



US00D709622S

(12) **United States Design Patent**
Biles et al.

(10) **Patent No.:** **US D709,622 S**
(45) **Date of Patent:** **** Jul. 22, 2014**

(54) **DENTAL COMPOSITION STORAGE DEVICE**

(56) **References Cited**

(71) Applicants: **David M. Biles**, Greenwood, DE (US);
Timothy P. Farrell, Rehoboth Beach,
DE (US)

(72) Inventors: **David M. Biles**, Greenwood, DE (US);
Timothy P. Farrell, Rehoboth Beach,
DE (US)

(73) Assignee: **DENTSPLY International Inc**, York,
PA (US)

(**) Term: **14 Years**

(21) Appl. No.: **29/439,885**

(22) Filed: **Dec. 17, 2012**

(51) **LOC (10) Cl.** **24-01**

(52) **U.S. Cl.**
USPC **D24/221**

(58) **Field of Classification Search**
USPC D24/221, 227, 176, 216, 223, 123, 121,
D24/127, 226; D10/114.9, 121, 46, 46.1,
D10/64, 78, 80, 85, 94, 103; D9/755, 756,
D9/759, 760; 206/366, 368, 369, 370;
433/77, 87, 89, 229

See application file for complete search history.

U.S. PATENT DOCUMENTS

D238,308 S *	12/1975	Sherin	D24/121
D245,119 S *	7/1977	Harris	D24/127
D381,416 S *	7/1997	Hansson et al.	D24/110
D417,840 S *	12/1999	Alpert	D24/226
D441,090 S *	4/2001	Broyles	D24/221
D500,142 S *	12/2004	Crisanti et al.	D24/224

* cited by examiner

Primary Examiner — Ian Simmons

Assistant Examiner — Rhea Shields

(74) *Attorney, Agent, or Firm* — Leana Levin; Douglas J. Hura; David A. Zdurne

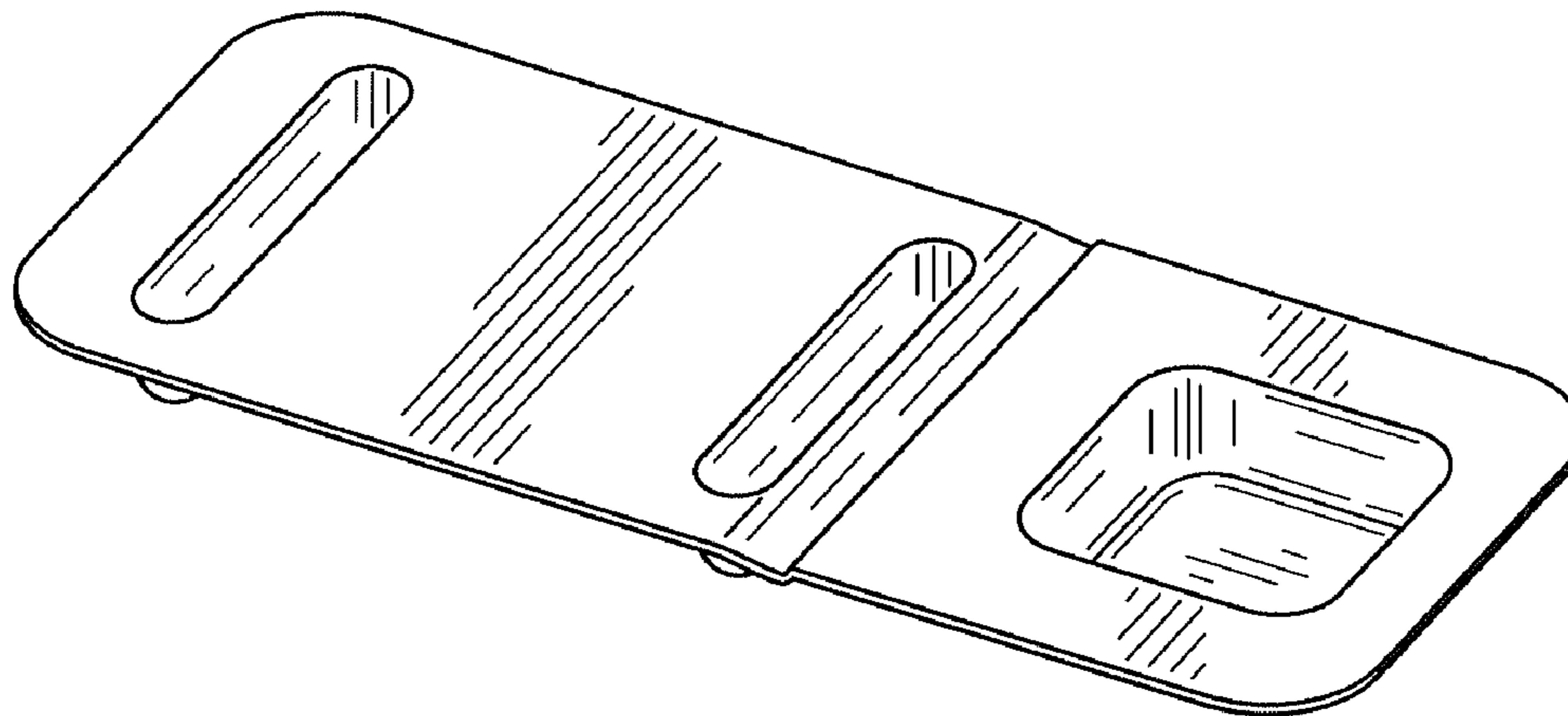
(57) **CLAIM**

The ornamental design for a dental composition storage device, as shown and described.

DESCRIPTION

FIG. 1 is an isometric view of a dental composition storage device showing our new design;
FIG. 2 is a top plan view thereof;
FIG. 3 is a bottom plan view thereof;
FIG. 4 is a first side view thereof;
FIG. 5 is a second side view thereof;
FIG. 6 is a front view thereof; and,
FIG. 7 is a rear view thereof.

1 Claim, 2 Drawing Sheets



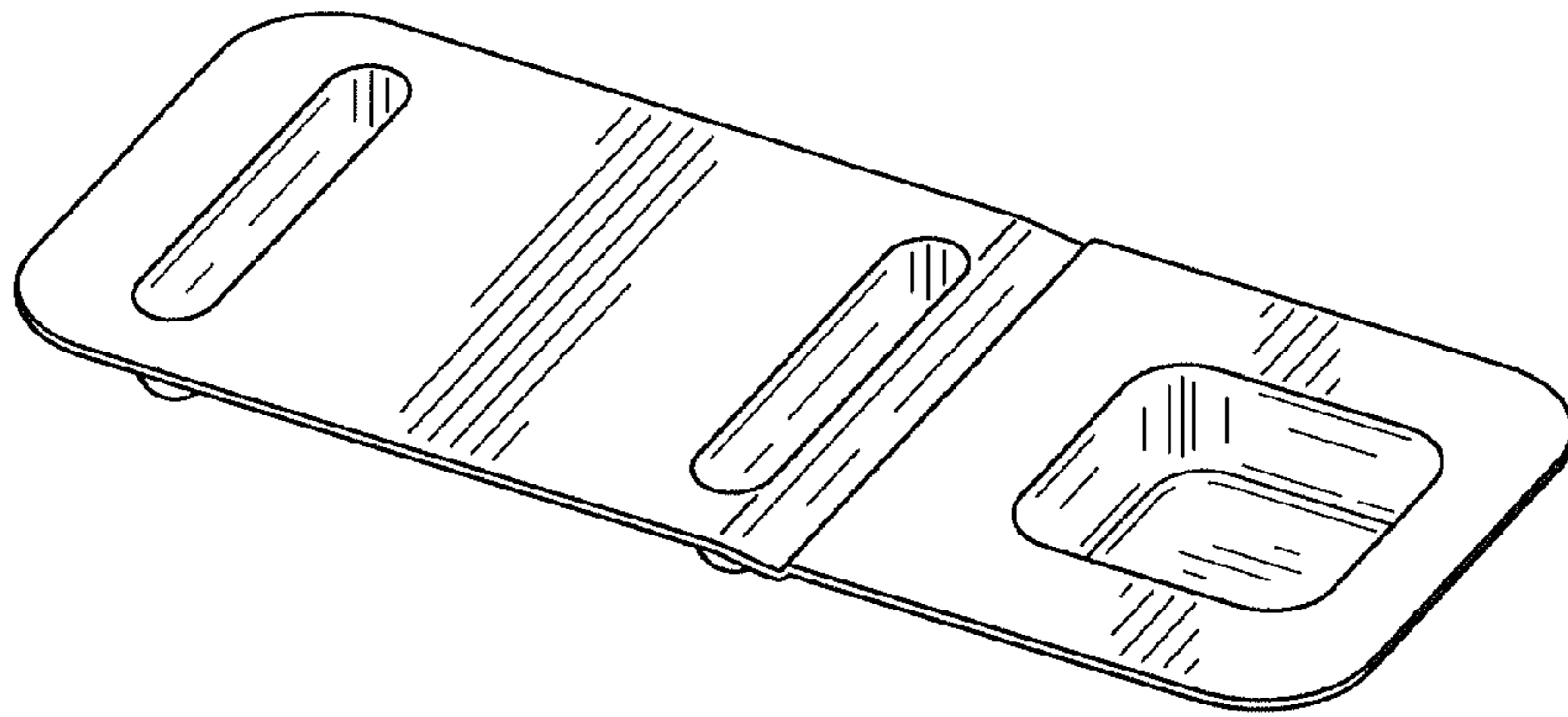


FIG. 1

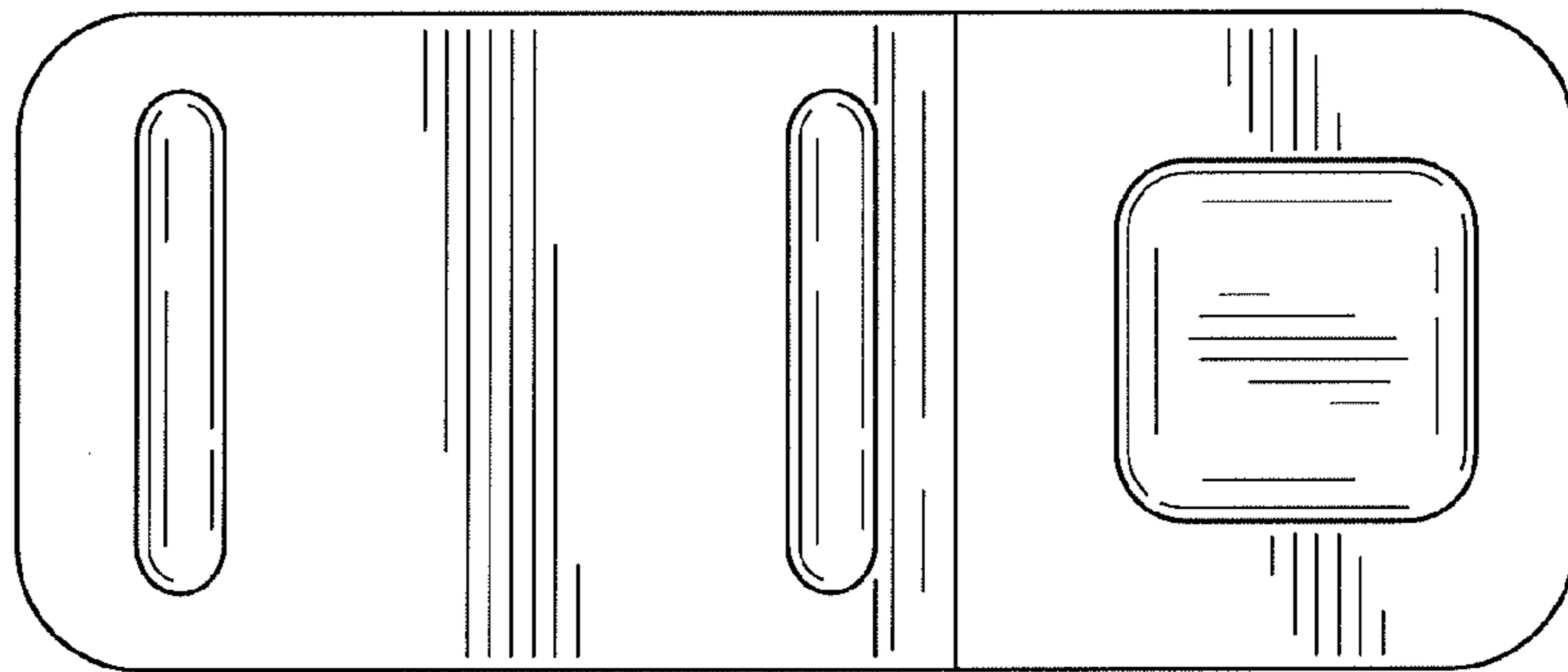


FIG. 2

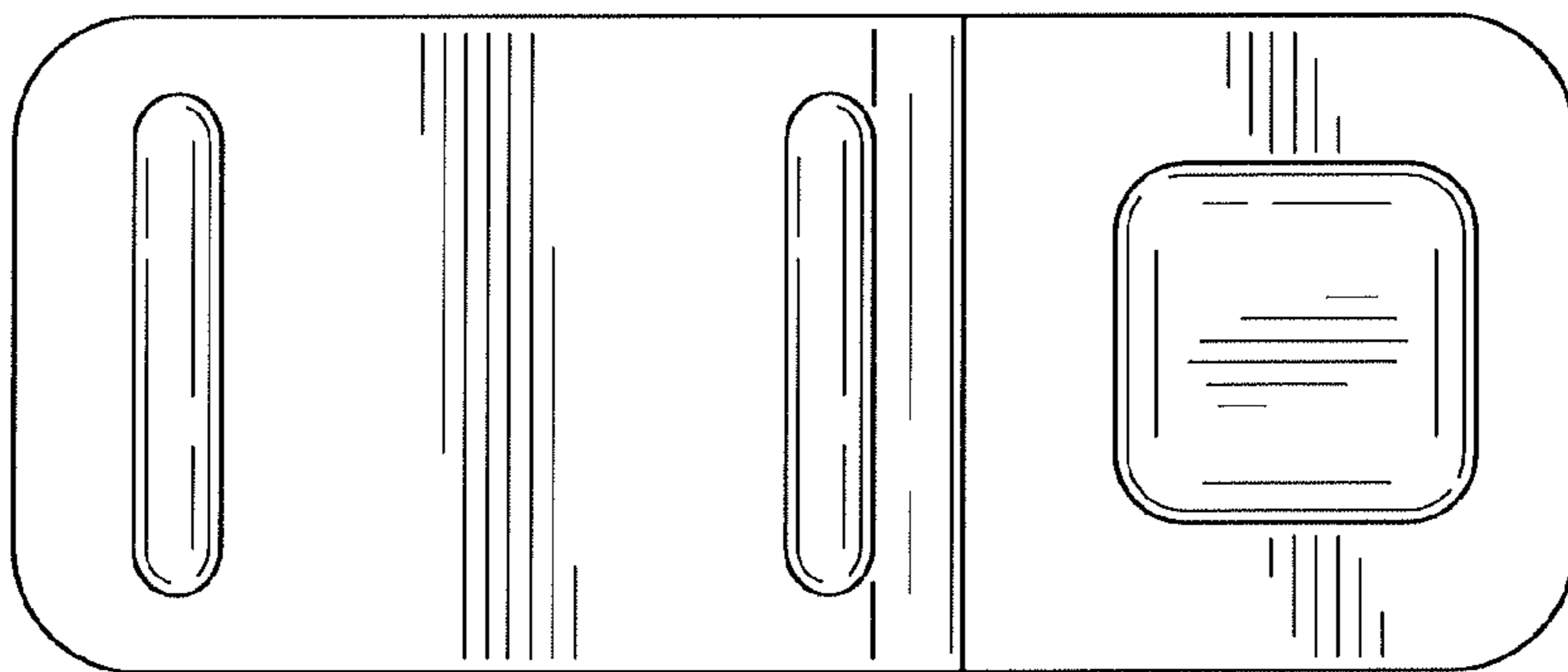


FIG. 3

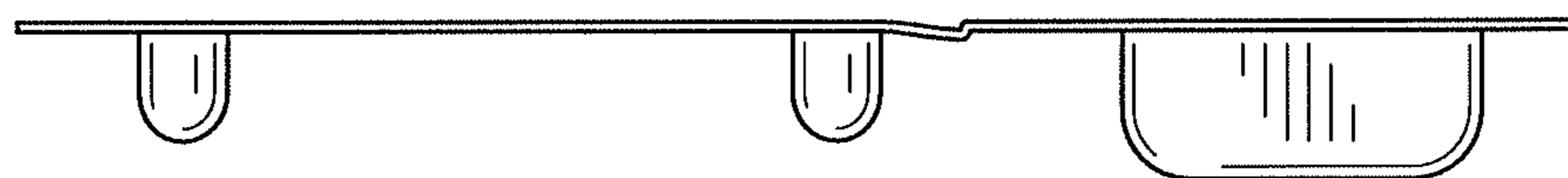


FIG. 4

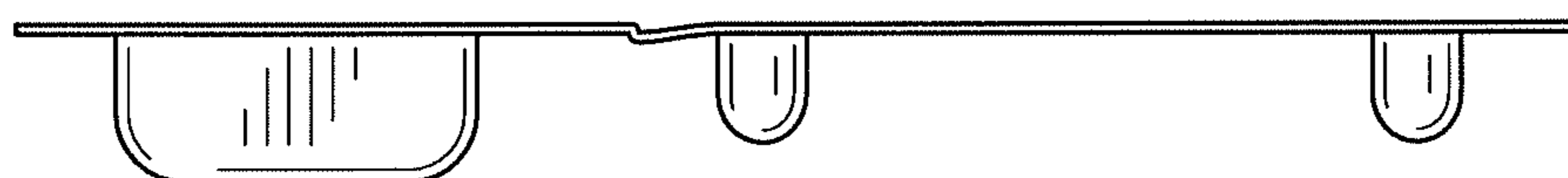


FIG. 5

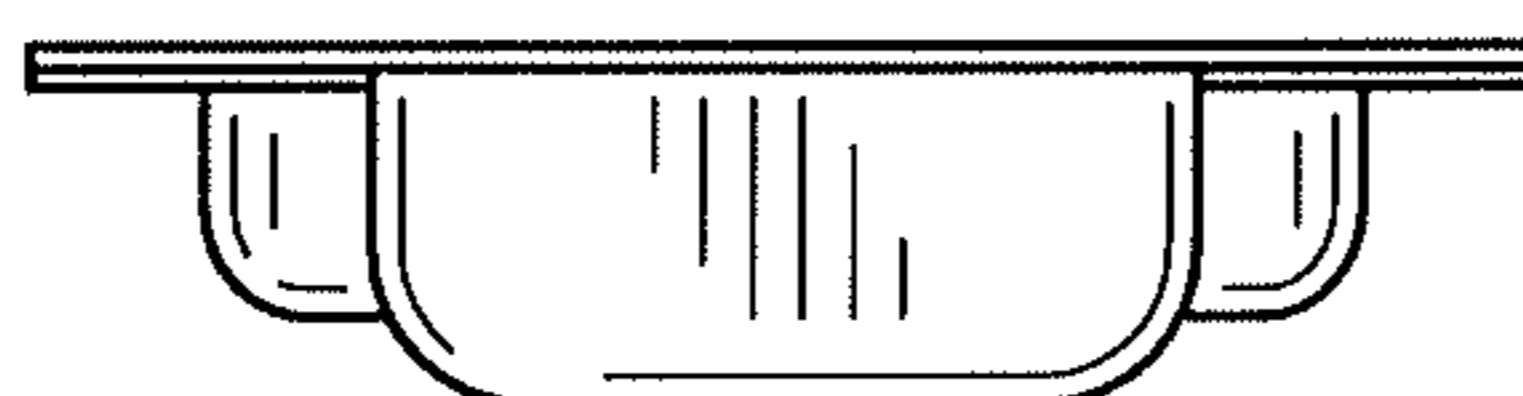


FIG. 6

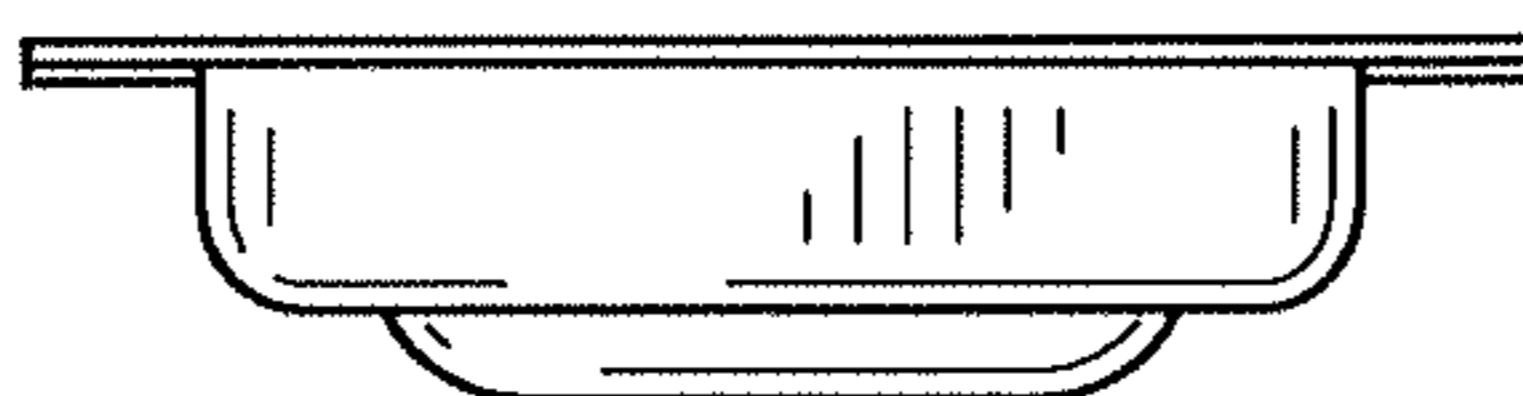


FIG. 7