



US00D709621S

(12) **United States Design Patent**  
**Chang et al.**

(10) **Patent No.:** **US D709,621 S**  
(45) **Date of Patent:** **\*\* Jul. 22, 2014**

(54) **DATA DOOR FOR AN ANALYSIS SYSTEM**

(75) Inventors: **Ron Chang**, Sunnyvale, CA (US);  
**Steven M. Montgomery**, Sunnyvale, CA  
(US); **Gregory E. Mote**, Sunnyvale, CA  
(US)

(73) Assignee: **Cepheid**, Sunnyvale, CA (US)

(\*\*) Term: **14 Years**

(21) Appl. No.: **29/431,292**

(22) Filed: **Sep. 5, 2012**

(51) **LOC (10) Cl.** ..... **24-01**

(52) **U.S. Cl.**  
USPC ..... **D24/216**

(58) **Field of Classification Search**  
USPC ..... D24/216, 217, 219, 223, 231, 232, 233,  
D24/107, 169, 186; D10/81; 422/500, 547,  
422/62-65, 67; 435/287.1, 287.3; 436/43,  
436/45, 47

See application file for complete search history.

(56) **References Cited**

**U.S. PATENT DOCUMENTS**

D452,564 S \* 12/2001 Micinski et al. .... D24/169  
D457,633 S \* 5/2002 Daynes et al. .... D24/167  
D637,293 S \* 5/2011 Hickey et al. .... D24/169

D653,765 S \* 2/2012 Oonuma et al. .... D24/216  
D681,844 S \* 5/2013 Matsuguma .... D24/232  
D681,845 S \* 5/2013 Matsuguma .... D24/232  
2010/0254854 A1 \* 10/2010 Rich et al. .... 422/64

\* cited by examiner

*Primary Examiner* — Anhdao Doan

(74) *Attorney, Agent, or Firm* — Kilpatrick Townsend &  
Stockton LLP

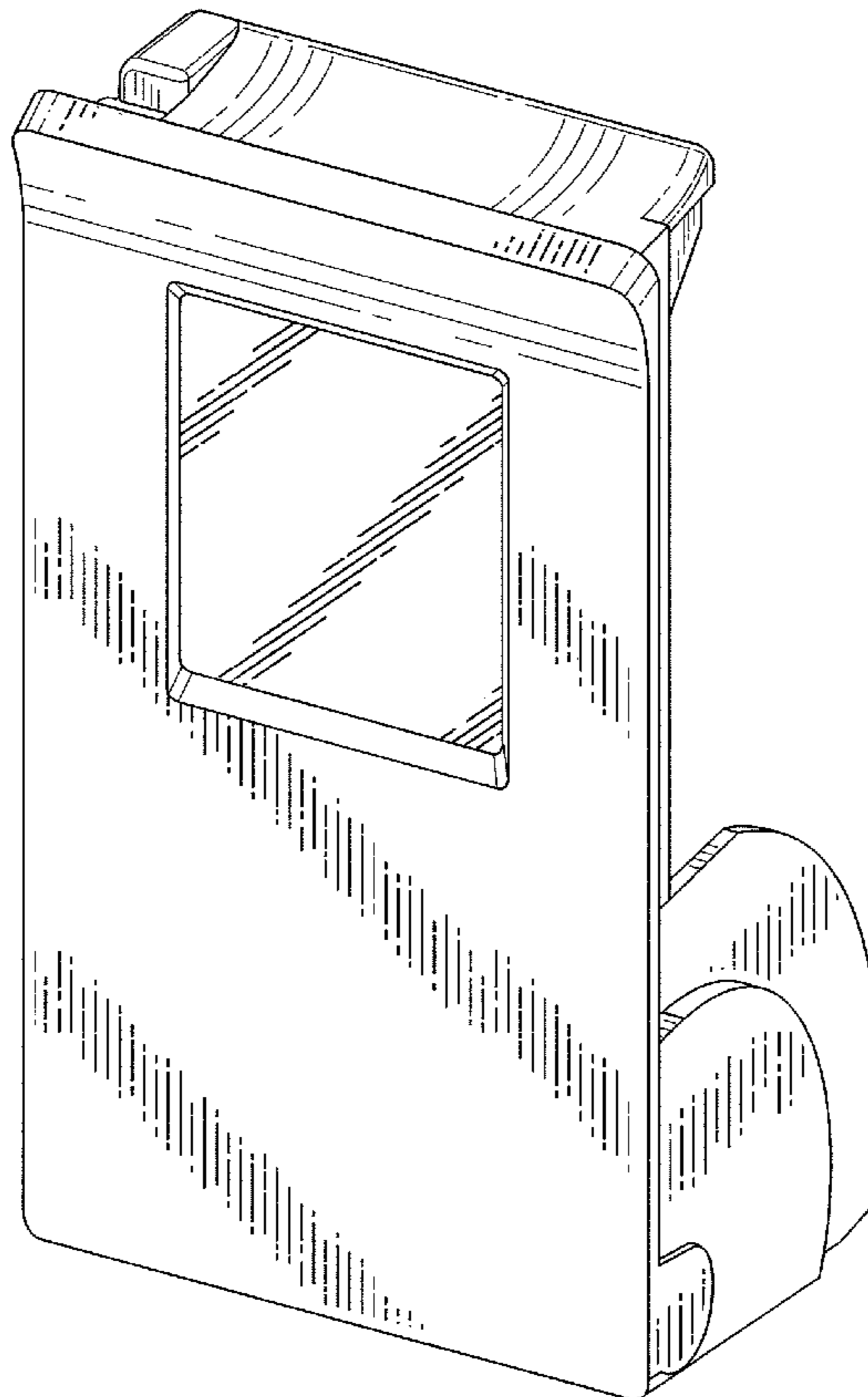
(57) **CLAIM**

The ornamental design for a data door for an analysis system,  
as shown and described.

**DESCRIPTION**

FIG. 1 is a front perspective view of a data door for an analysis system showing our new design;  
FIG. 2 is a rear perspective view thereof;  
FIG. 3 is a rear elevational view thereof;  
FIG. 4 is a front elevational view thereof;  
FIG. 5 is a right side elevational view thereof;  
FIG. 6 is a left side elevational view thereof;  
FIG. 7 is a top plan view thereof;  
FIG. 8 is a bottom plan view thereof; and,  
FIG. 9 shows the data door of FIG. 1 in an environment in which it may be used. The broken lines illustrate environmental subject matters and form no part of the claimed design.

**1 Claim, 8 Drawing Sheets**



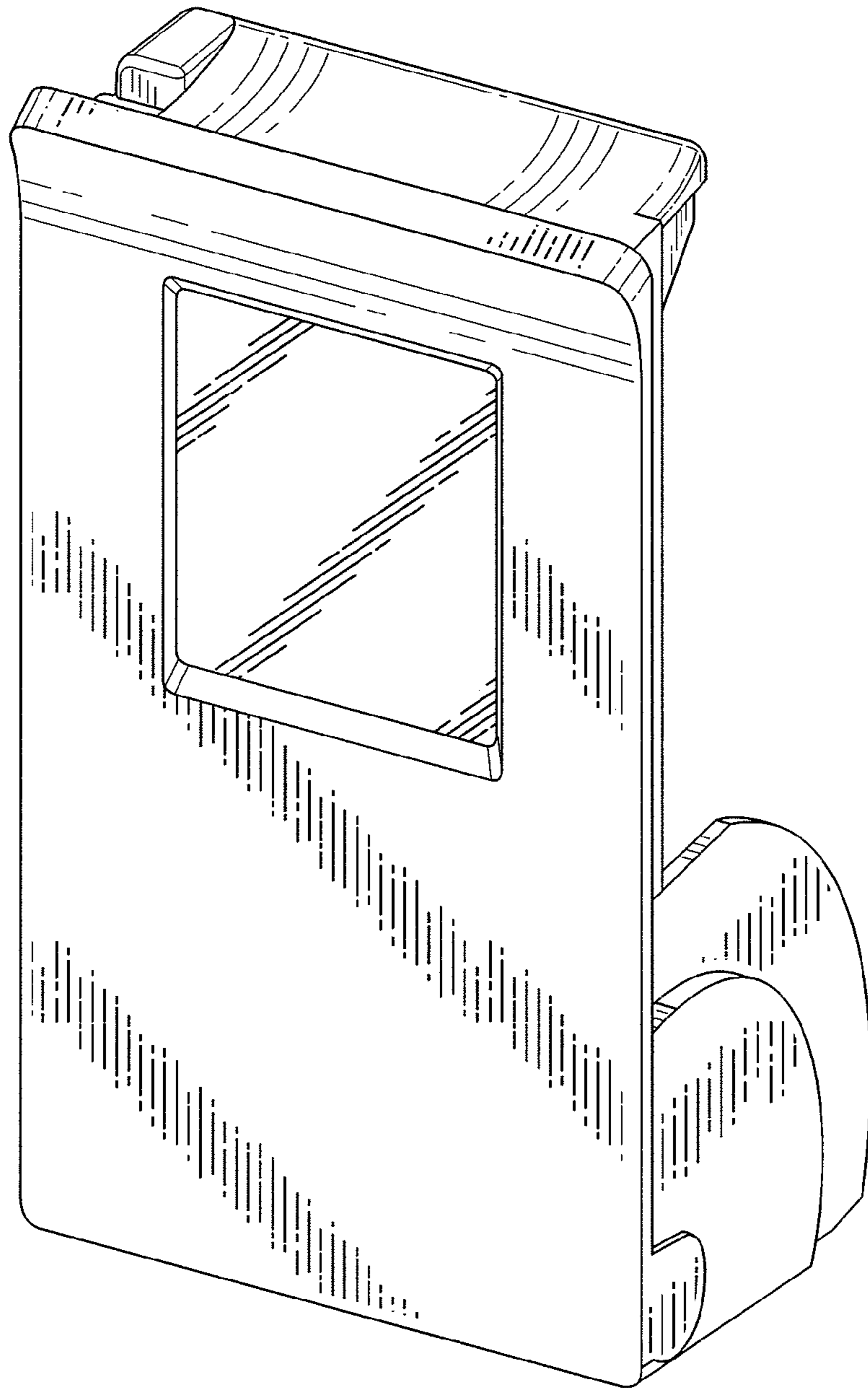


FIG. 1

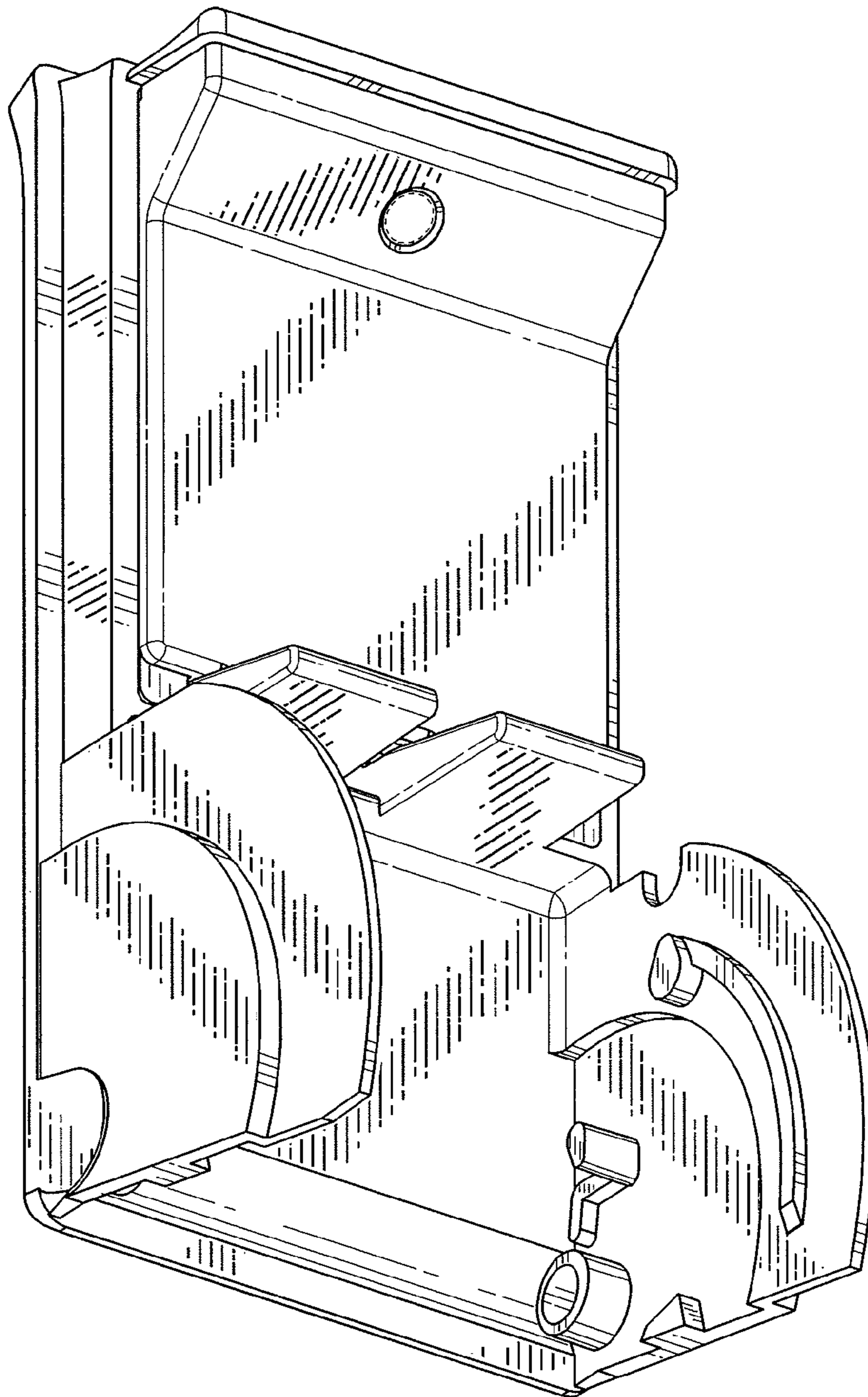


FIG. 2

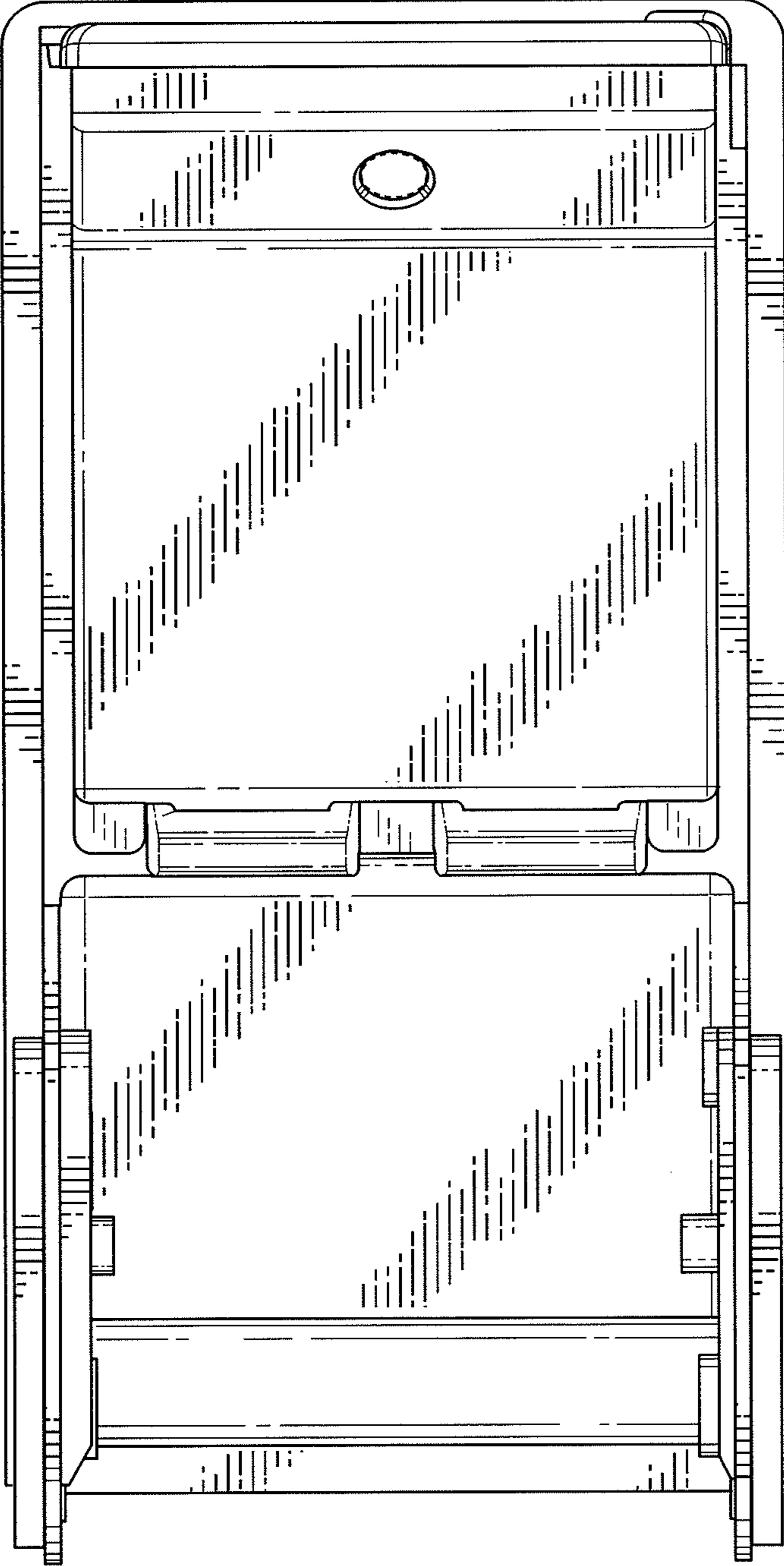


FIG. 3

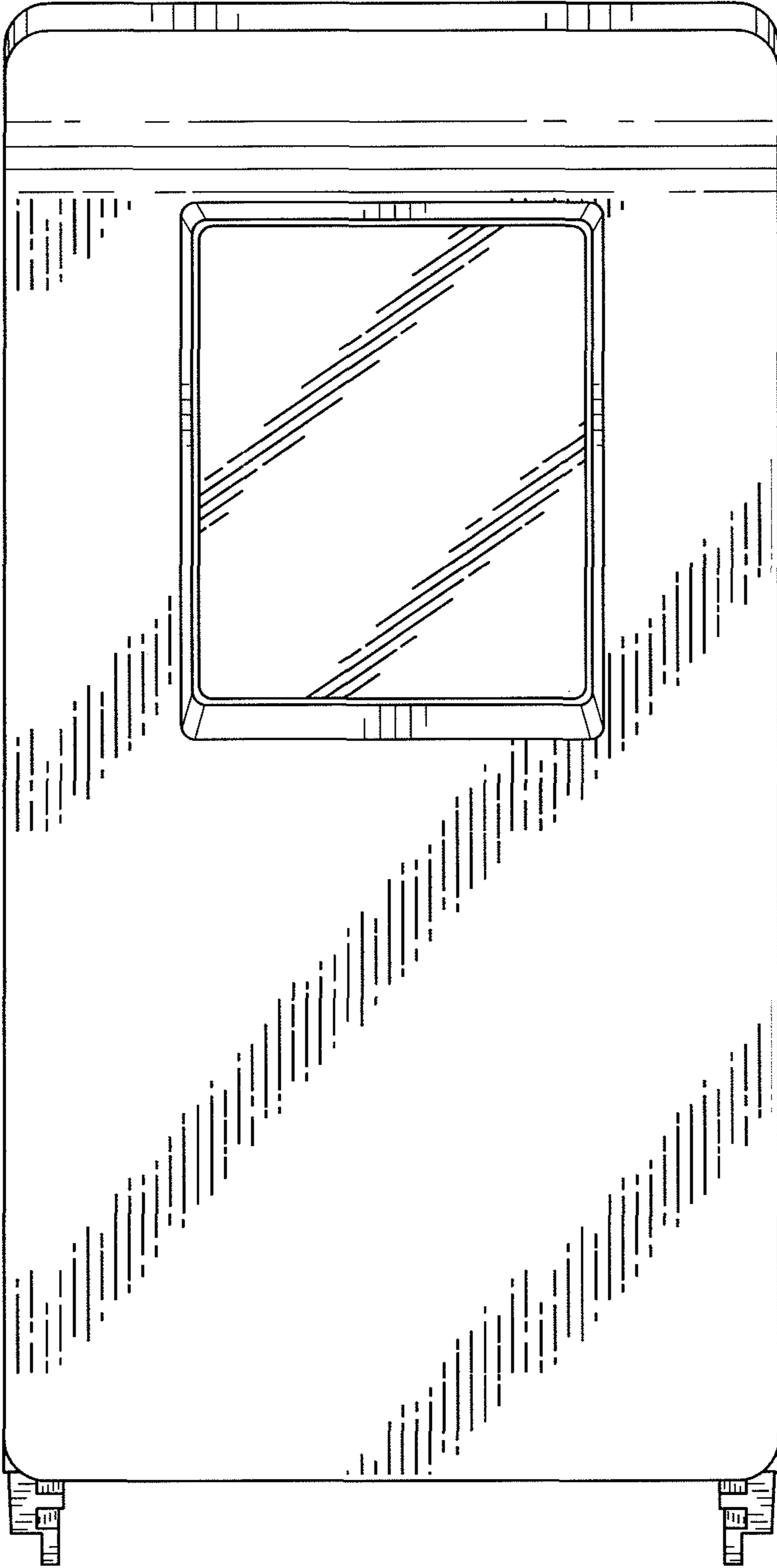


FIG. 4

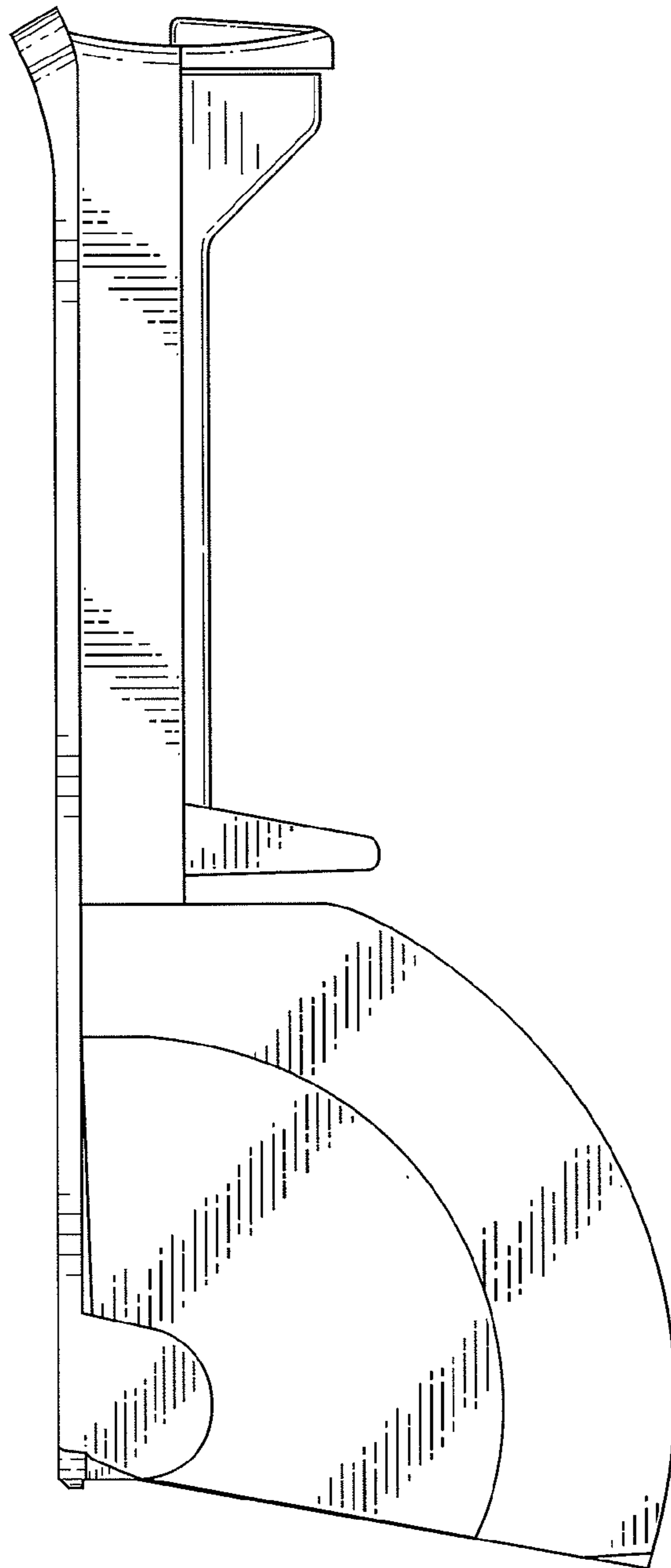


FIG. 5

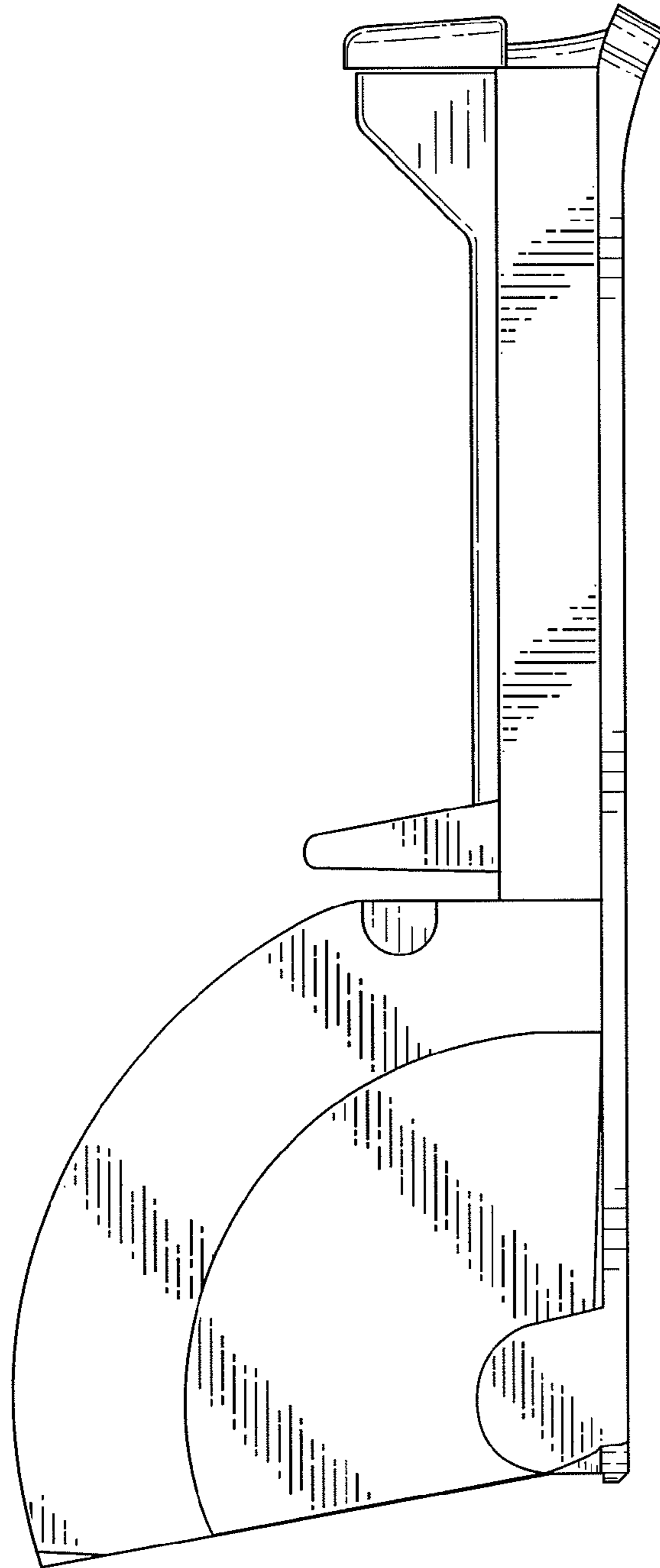


FIG. 6

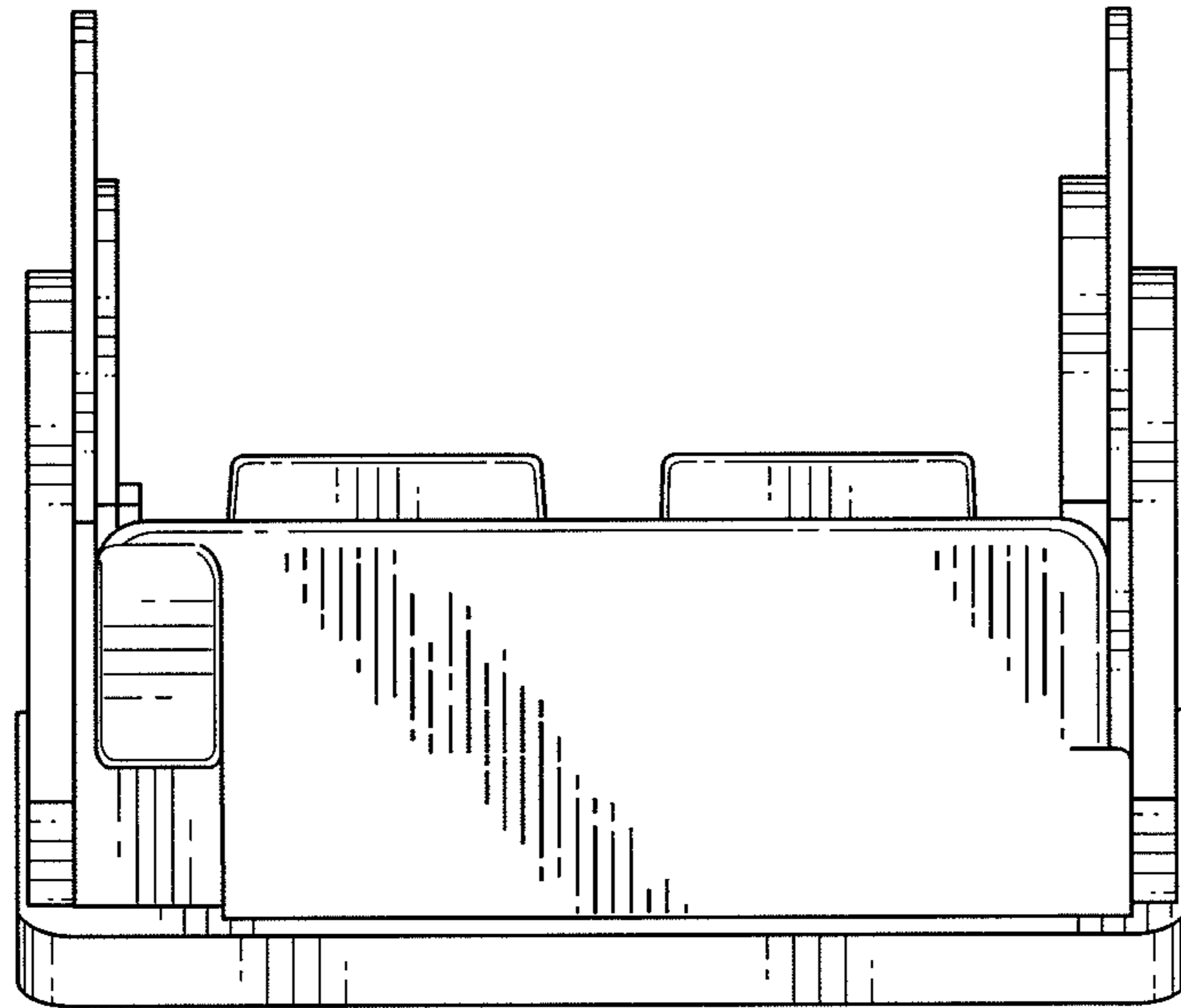


FIG. 7

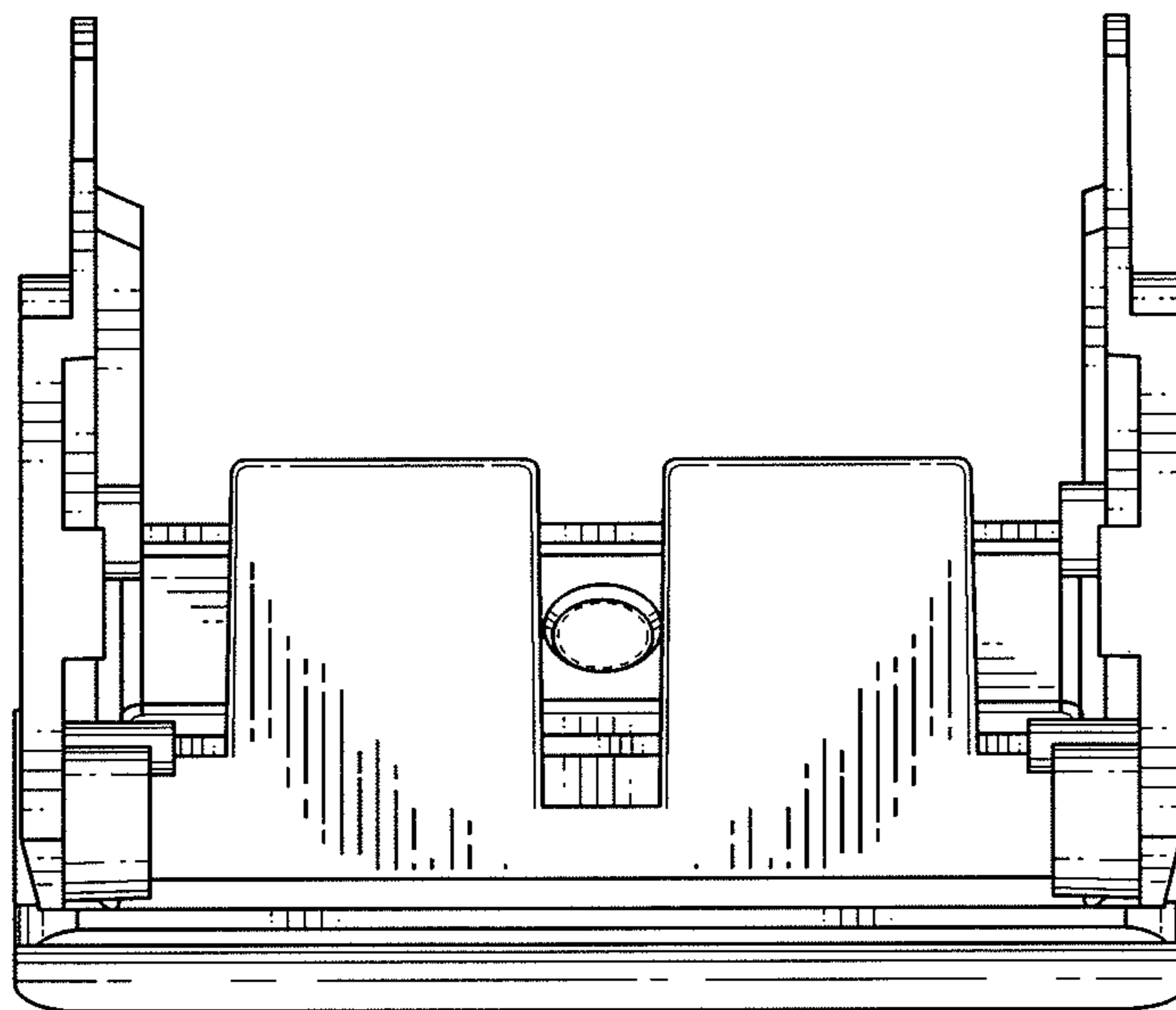


FIG. 8



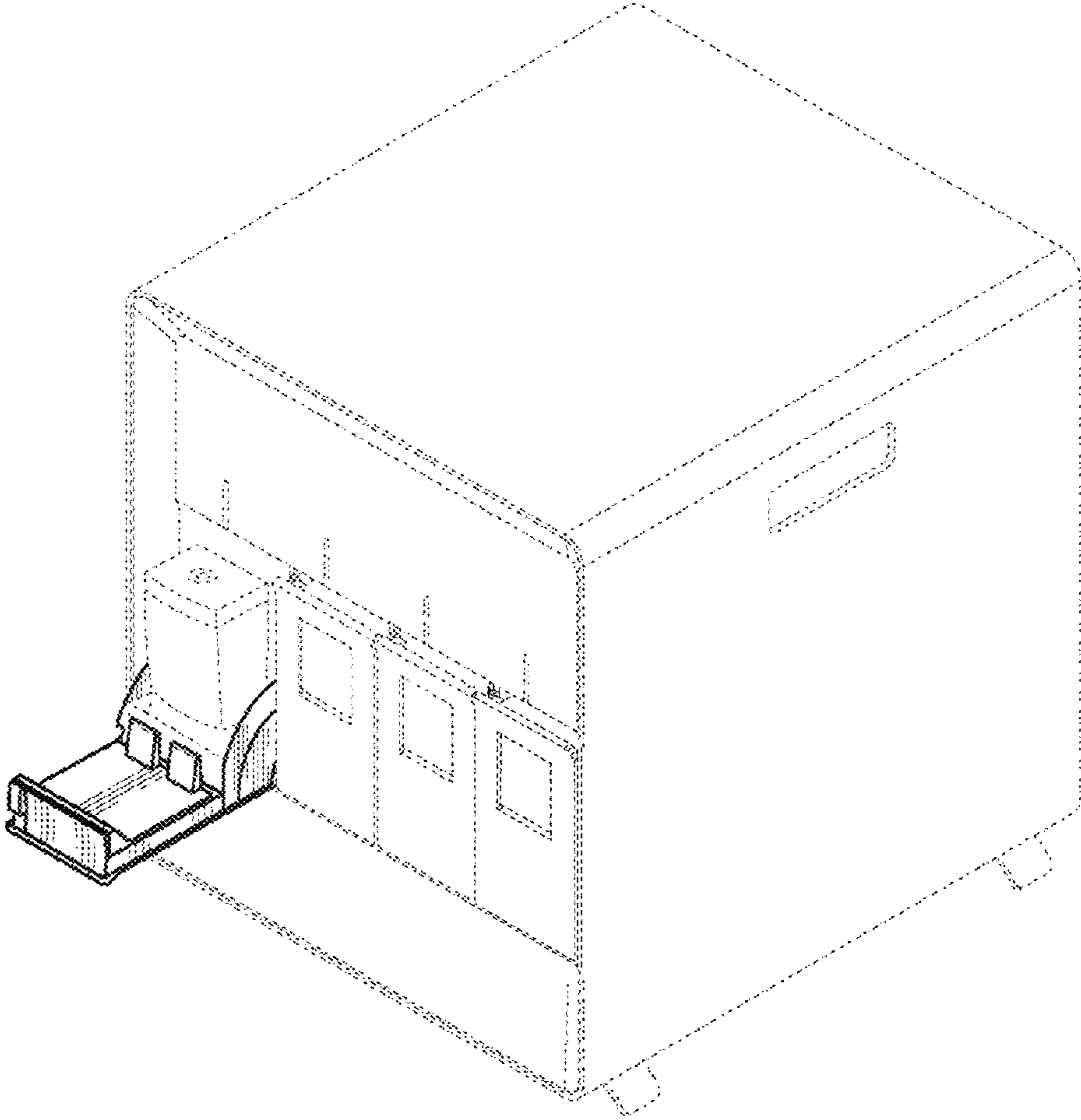


FIG. 9