



US00D709619S

(12) **United States Design Patent**
Tran

(10) **Patent No.:** **US D709,619 S**
(45) **Date of Patent:** **** Jul. 22, 2014**

- (54) **GLASS BOWL FOR FOOT SPA**
- (71) Applicant: **Minh Sang Tran**, Ontario (CA)
- (72) Inventor: **Minh Sang Tran**, Ontario (CA)
- (**) Term: **14 Years**
- (21) Appl. No.: **29/459,088**
- (22) Filed: **Jun. 25, 2013**
- (51) **LOC (10) Cl.** **24-04**
- (52) **U.S. Cl.**
USPC **D24/204**
- (58) **Field of Classification Search**
USPC D24/200–205, 212, 213, 121–123;
D23/276, 295, 284; 4/450–458, 553,
4/905, 622, 574.1; D7/500, 587;
D30/129, 128, 132, 121; D28/56, 61;
D6/336, 495; 601/6, 15, 64, 157–158,
601/30–32

See application file for complete search history.

- D317,354 S * 6/1991 Taylor D23/280.1
- D317,355 S 6/1991 Delepine
- D334,054 S 3/1993 Levien
- D342,165 S 12/1993 Marshall et al.
- D346,434 S 4/1994 Hunger et al.
- D356,954 S 4/1995 Sangbok
- D377,091 S 12/1996 Scott, Sr.
- 5,697,921 A 12/1997 Blair
- D393,699 S 4/1998 Bonnell
- D412,600 S 8/1999 Oh et al.
- D424,819 S 5/2000 Galati, Jr. et al.
- D429,379 S 8/2000 Kim
- D429,380 S 8/2000 Fontier et al.
- D431,637 S 10/2000 Pamler
- D434,916 S 12/2000 Galati, Jr. et al.
- D435,296 S 12/2000 Jacuzzi

(Continued)

Primary Examiner — David Muller
(74) *Attorney, Agent, or Firm* — Blue Filament Law PLLC;
Avery N. Goldstein

(57) **CLAIM**
The ornamental design for a glass bowl for foot spa, as shown and described.

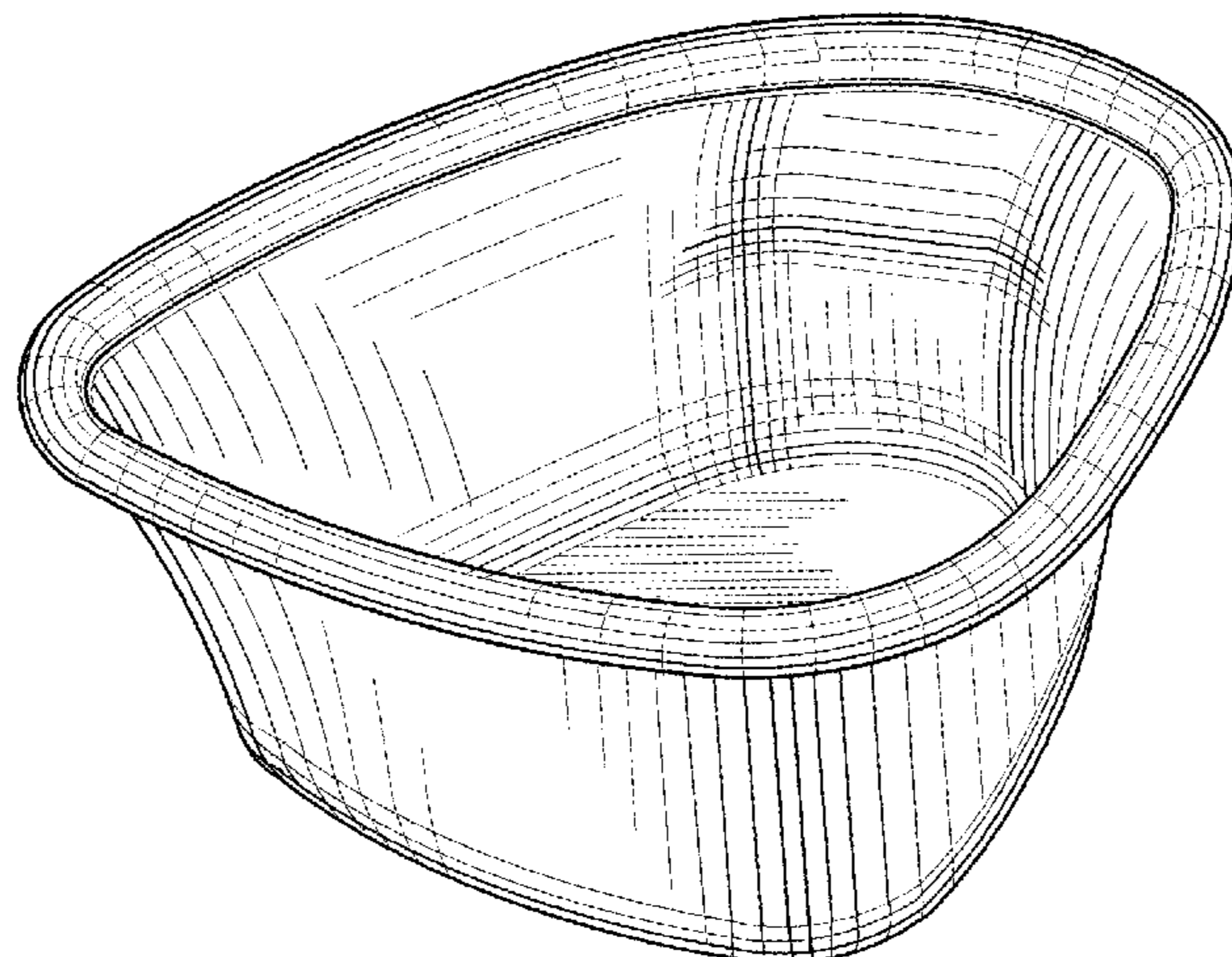
DESCRIPTION

FIG. 1 is a rear, top perspective view of the inventive glass bowl;
FIG. 2 is a top view of the glass bowl depicted in FIG. 1;
FIG. 3 is a left side view of the glass bowl depicted in FIG. 1;
FIG. 4 is a right side view of the glass bowl depicted in FIG. 1;
FIG. 5 is a bottom view of the glass bowl depicted in FIG. 1;
FIG. 6 is a front view of the glass bowl depicted in FIG. 1;
FIG. 7 is a rear view of the glass bowl depicted in FIG. 1; and,
FIG. 8 is a top perspective view of the glass bowl depicted in FIG. 1 in an exemplary use environment with the features depicted in broken lines not being part of the claimed design.

1 Claim, 5 Drawing Sheets

- (56) **References Cited**

U.S. PATENT DOCUMENTS
- 2,531,724 A 11/1950 Cevasco
- 2,580,981 A 1/1952 Webster
- D219,323 S 11/1970 Bost
- 3,940,807 A 3/1976 Baker et al.
- D250,206 S 11/1978 Levin
- D250,829 S 1/1979 Clement
- D251,202 S 2/1979 Charewicz
- D252,941 S 9/1979 Fairchild
- D253,547 S 11/1979 Beddome et al.
- D254,754 S 4/1980 Harrison
- 4,216,552 A 8/1980 Gurolnick
- D257,108 S 9/1980 Daenen
- D288,729 S 3/1987 Meyerovich et al.
- D288,993 S 3/1987 Grimsrud



(56)

References Cited

U.S. PATENT DOCUMENTS

D435,937 S	1/2001	Back et al.	
D439,082 S	3/2001	Su	
D439,083 S	3/2001	Tseng	
D451,321 S	12/2001	Chi	
D454,705 S	3/2002	Long et al.	
D455,017 S	4/2002	Tran	
D455,566 S	4/2002	Park	
D456,154 S	4/2002	Huynh et al.	
D457,018 S	5/2002	Park	
6,438,768 B1 *	8/2002	Yen	4/622
D465,113 S	11/2002	Chen	
D466,407 S	12/2002	Nance	
6,503,212 B2	1/2003	Park	
D472,720 S	4/2003	Cheng	
D472,768 S	4/2003	Wellner	
D475,558 S	6/2003	Chen	
D479,919 S	9/2003	Genelli et al.	
D493,035 S	7/2004	Bergman	
6,772,800 B1 *	8/2004	Garcia	4/622
D498,599 S	11/2004	Luong	
D504,178 S	4/2005	Zolotnik	
6,880,182 B2	4/2005	Gruenwald	
D504,783 S	5/2005	Park	
D505,021 S	5/2005	Kim	
D520,791 S	5/2006	Solowiej	
D525,687 S	7/2006	Kohler, Jr. et al.	
D526,505 S	8/2006	Gruenwald et al.	
D541,060 S	4/2007	Fugate et al.	
D549,876 S	8/2007	Le	
D549,999 S	9/2007	Fugate et al.	
D556,480 S	12/2007	Tran	
D560,310 S	1/2008	Le	
D560,853 S	1/2008	Van Le et al.	
D561,903 S	2/2008	Ton	
D562,575 S	2/2008	Le	
D563,558 S	3/2008	Ton	
D564,099 S	3/2008	Ton	
D564,138 S	3/2008	Dunn et al.	
D565,739 S	4/2008	Tran	
D566,407 S	4/2008	Gay	
D568,485 S	5/2008	Ton	
D569,135 S	5/2008	Galati, Jr. et al.	
D569,986 S	5/2008	Ton	
D571,018 S	6/2008	Ton et al.	
D571,460 S *	6/2008	Korjack	D24/123
D571,565 S	6/2008	Cheng	
D571,961 S	6/2008	Nguyen	
D573,842 S	7/2008	Friedland et al.	
D576,806 S	9/2008	Le	
D576,807 S	9/2008	Le	
D583,171 S	12/2008	Tran	
D583,576 S	12/2008	Tran	
D583,957 S	12/2008	Bromilow	
D583,960 S	12/2008	Tran	
D585,142 S	1/2009	Galati, Jr. et al.	
D589,155 S	3/2009	Galati, Jr. et al.	
D589,285 S	3/2009	Tran	
D591,963 S	5/2009	Lifeng	
D597,203 S *	7/2009	Tauer	D24/121
D598,120 S *	8/2009	Mai et al.	D24/204
D601,309 S	9/2009	Babal	
D603,522 S	11/2009	Elliott	
D605,754 S	12/2009	Nelson et al.	
D608,633 S	1/2010	Elmerhaus	
D608,959 S *	1/2010	Kim	D30/161
D610,697 S	2/2010	Tran	
D616,560 S	5/2010	Cong	
D621,555 S	8/2010	Hewson et al.	
D621,556 S	8/2010	Hewson et al.	
D622,071 S	8/2010	Petrucelli	
D622,858 S	8/2010	Jan	
D624,656 S	9/2010	Ton	
D625,961 S	10/2010	Kent	
D628,704 S	12/2010	Tran	
D632,798 S	2/2011	Tran	
D636,090 S	4/2011	Tran	
D638,590 S *	5/2011	Lipscomb et al.	D30/161
D645,355 S	9/2011	D'Amato	
D647,199 S	10/2011	Kroiss	
D647,625 S	10/2011	Le et al.	
D650,084 S	12/2011	Tran	
D655,819 S *	3/2012	Ton	D24/204
D660,444 S	5/2012	Tran	
8,296,874 B2 *	10/2012	Galati et al.	601/158
D670,377 S *	11/2012	Adams	D24/123
D678,632 S *	3/2013	Chance et al.	D30/161
8,387,175 B2 *	3/2013	Vinokur et al.	4/622
2004/0060108 A1	4/2004	Hoon Park	
2004/0177438 A1	9/2004	Gruenwald et al.	
2006/0242760 A1	11/2006	Chao	
2007/0226896 A1	10/2007	Fugate et al.	
2007/0226897 A1	10/2007	Fugate	

* cited by examiner

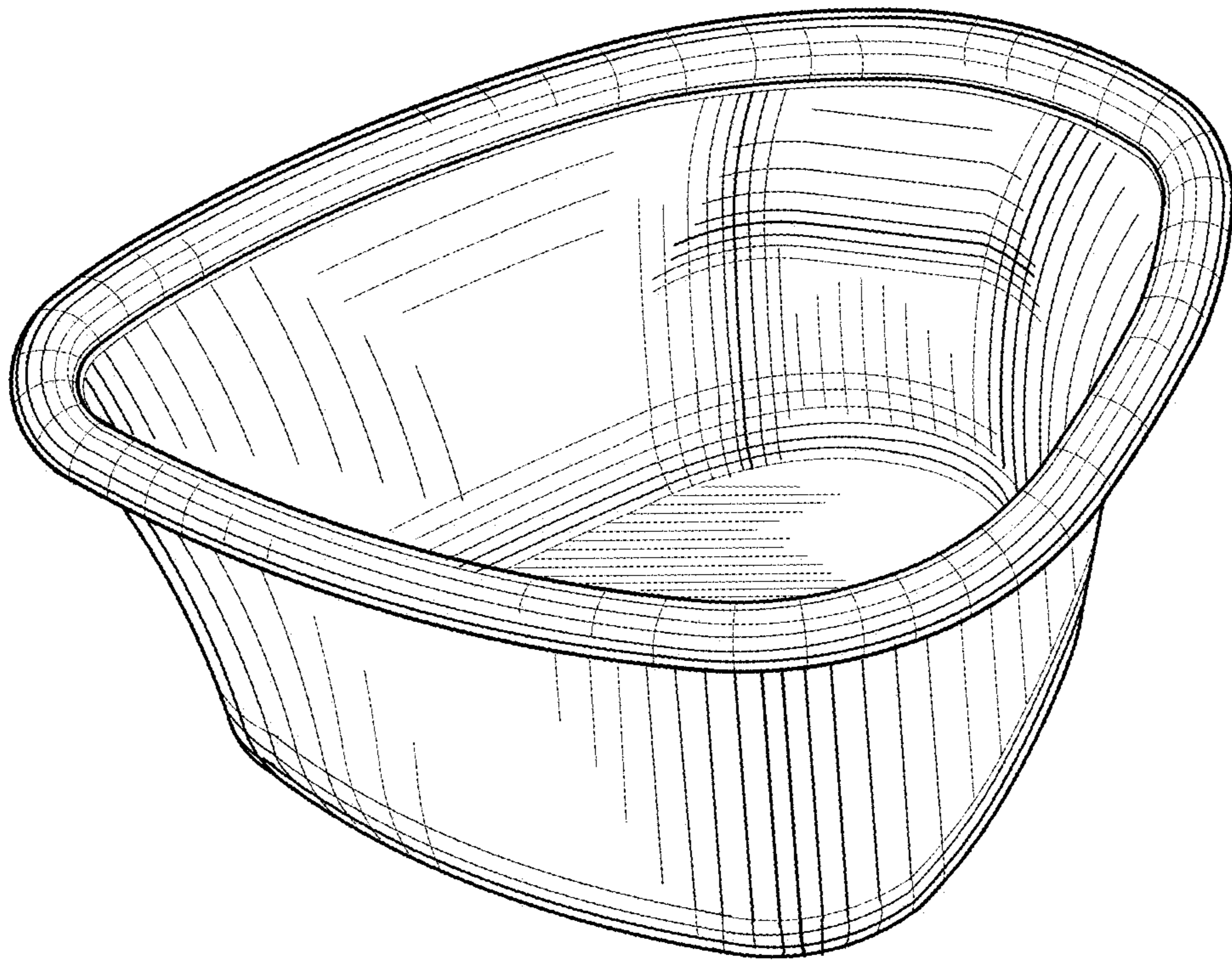


FIG. 1

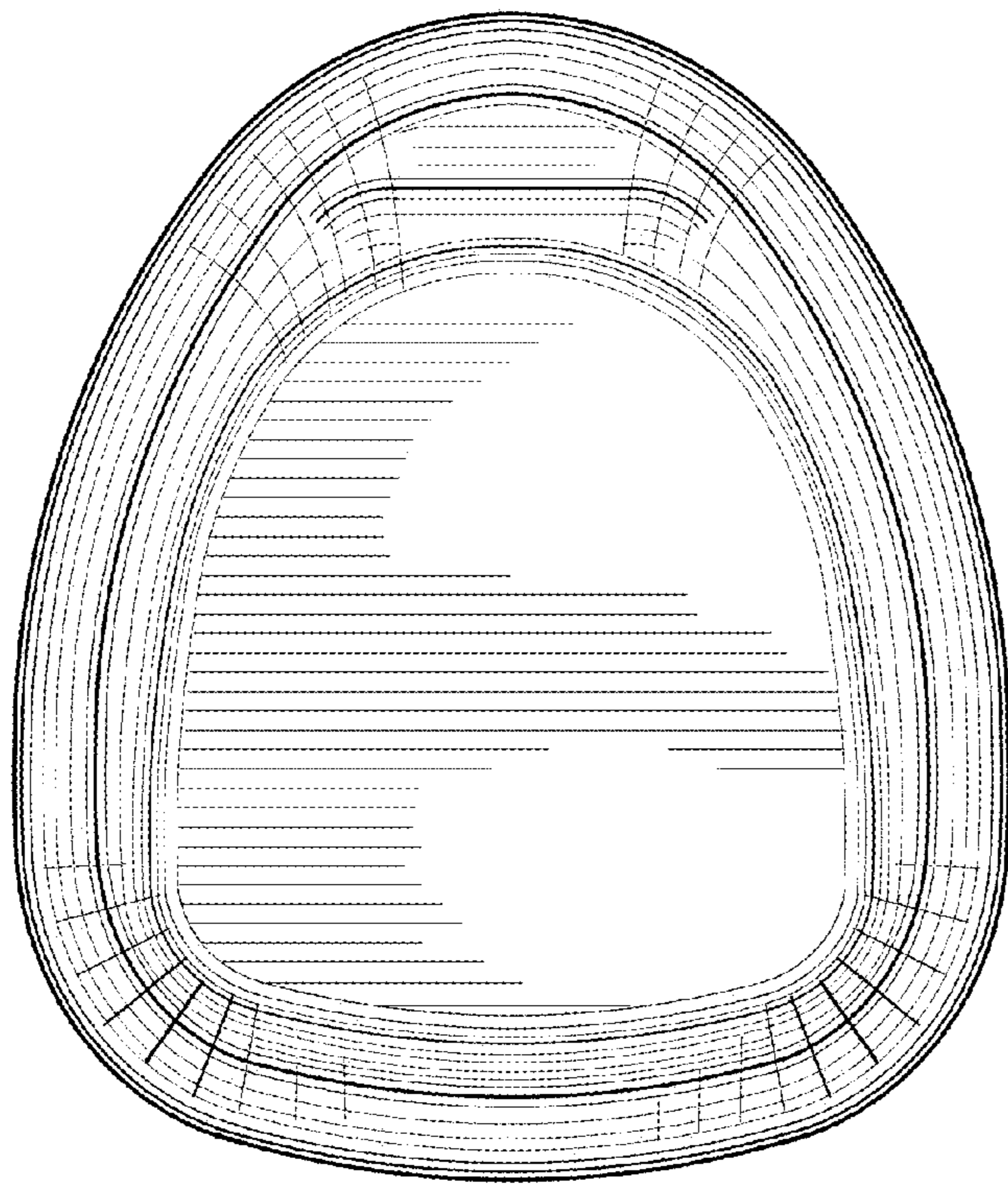


FIG. 2

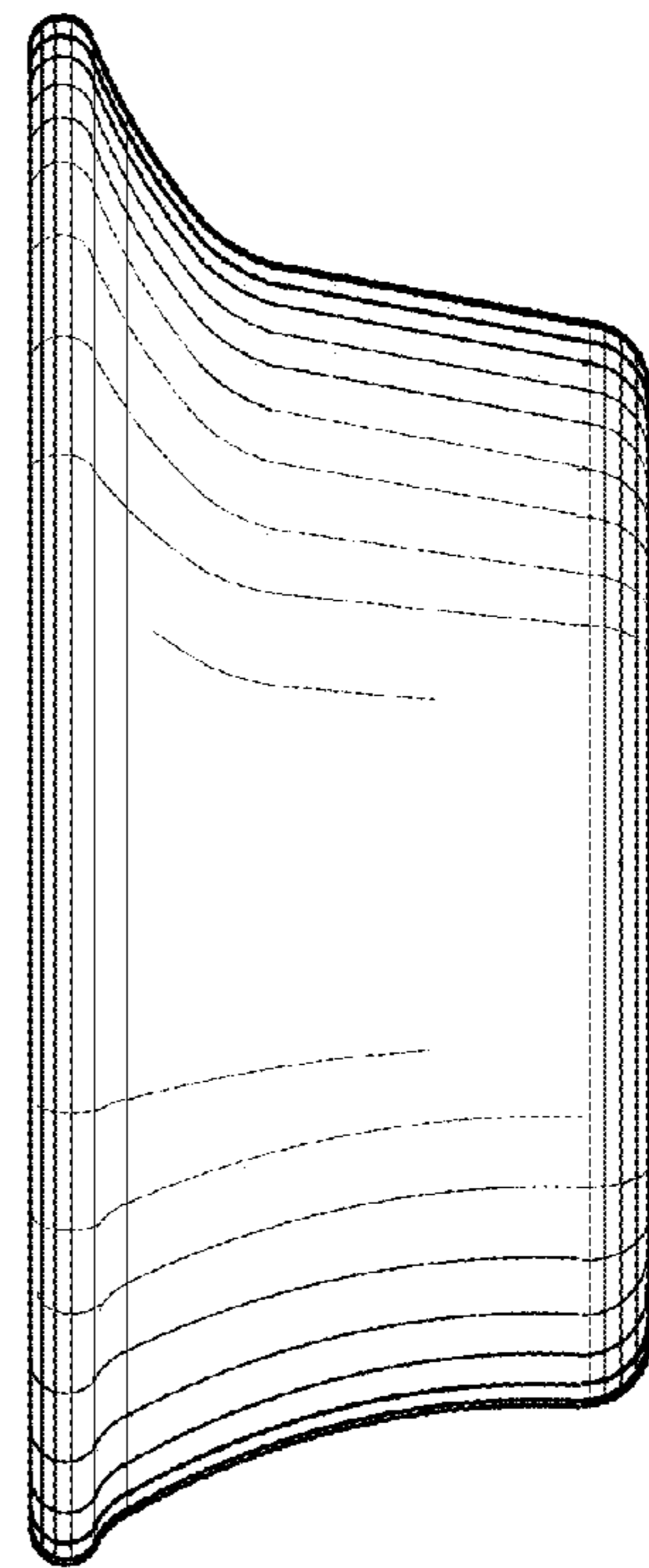


FIG. 3

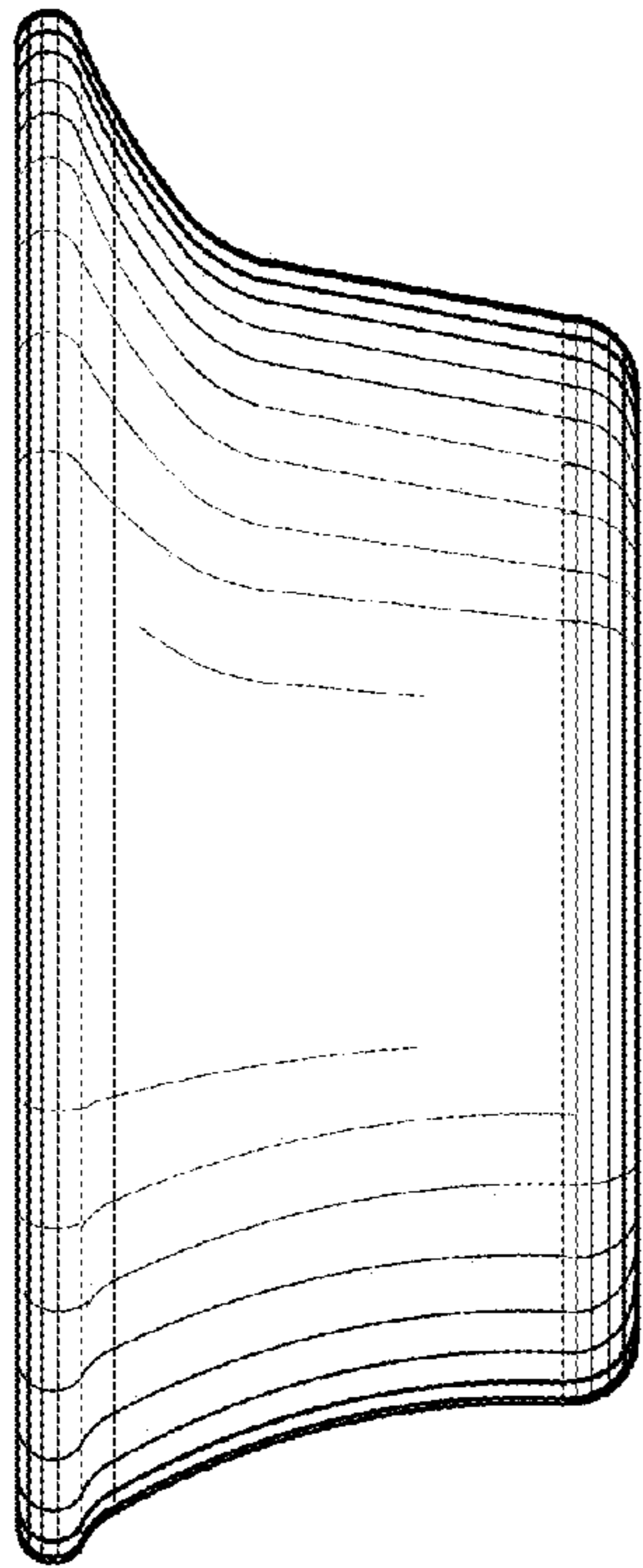


FIG. 4

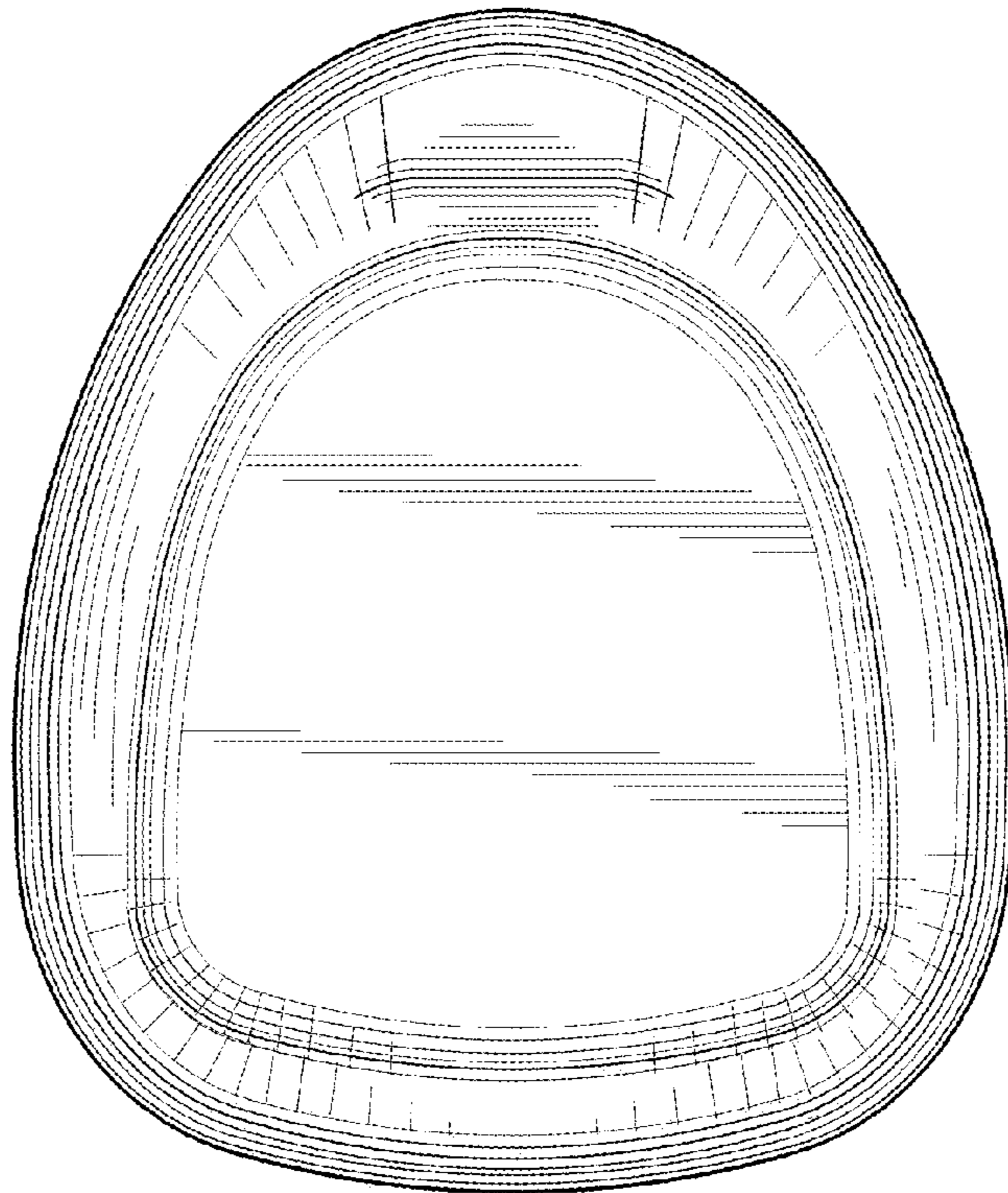


FIG. 5

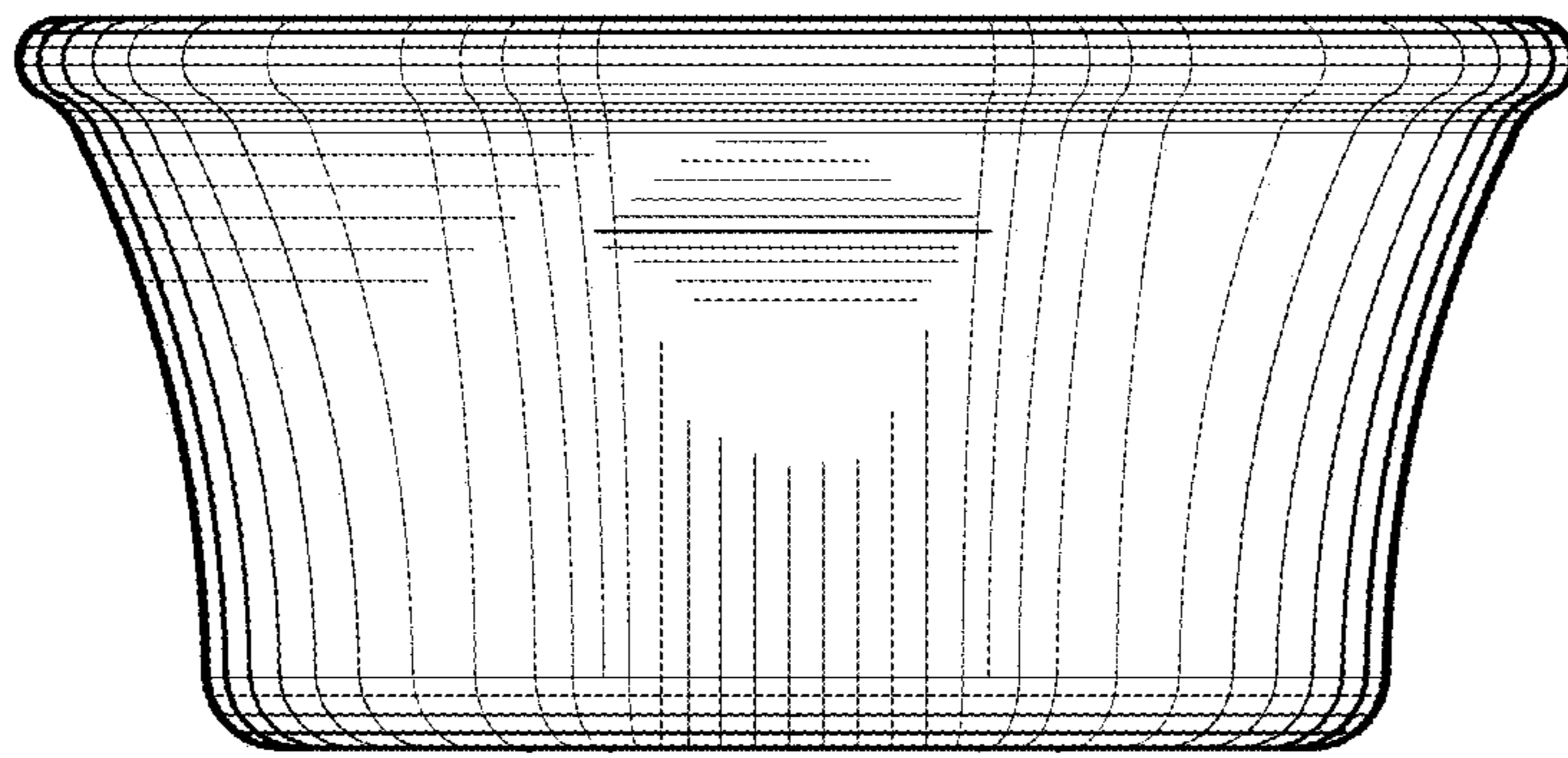


FIG. 6

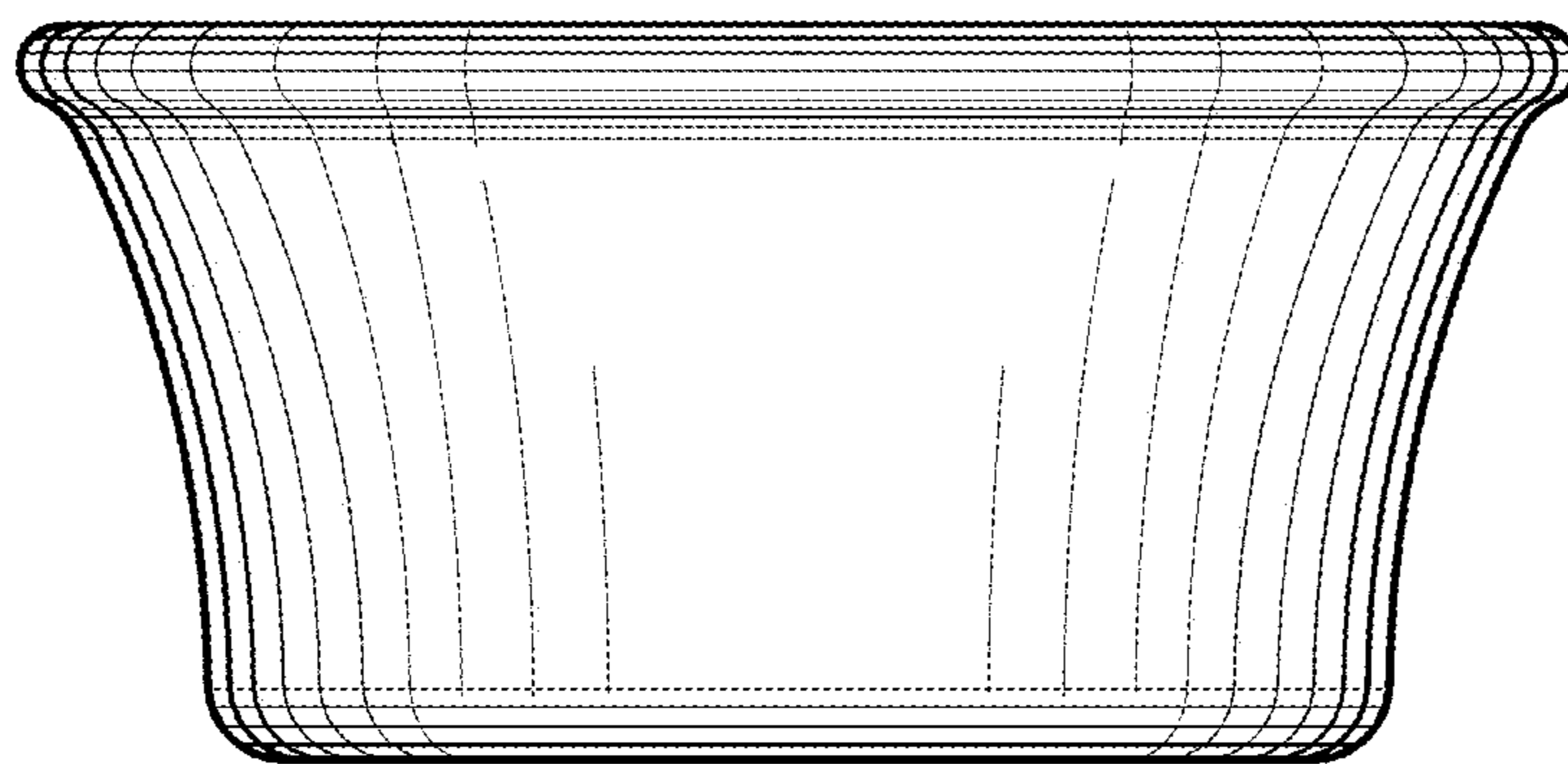


FIG. 7

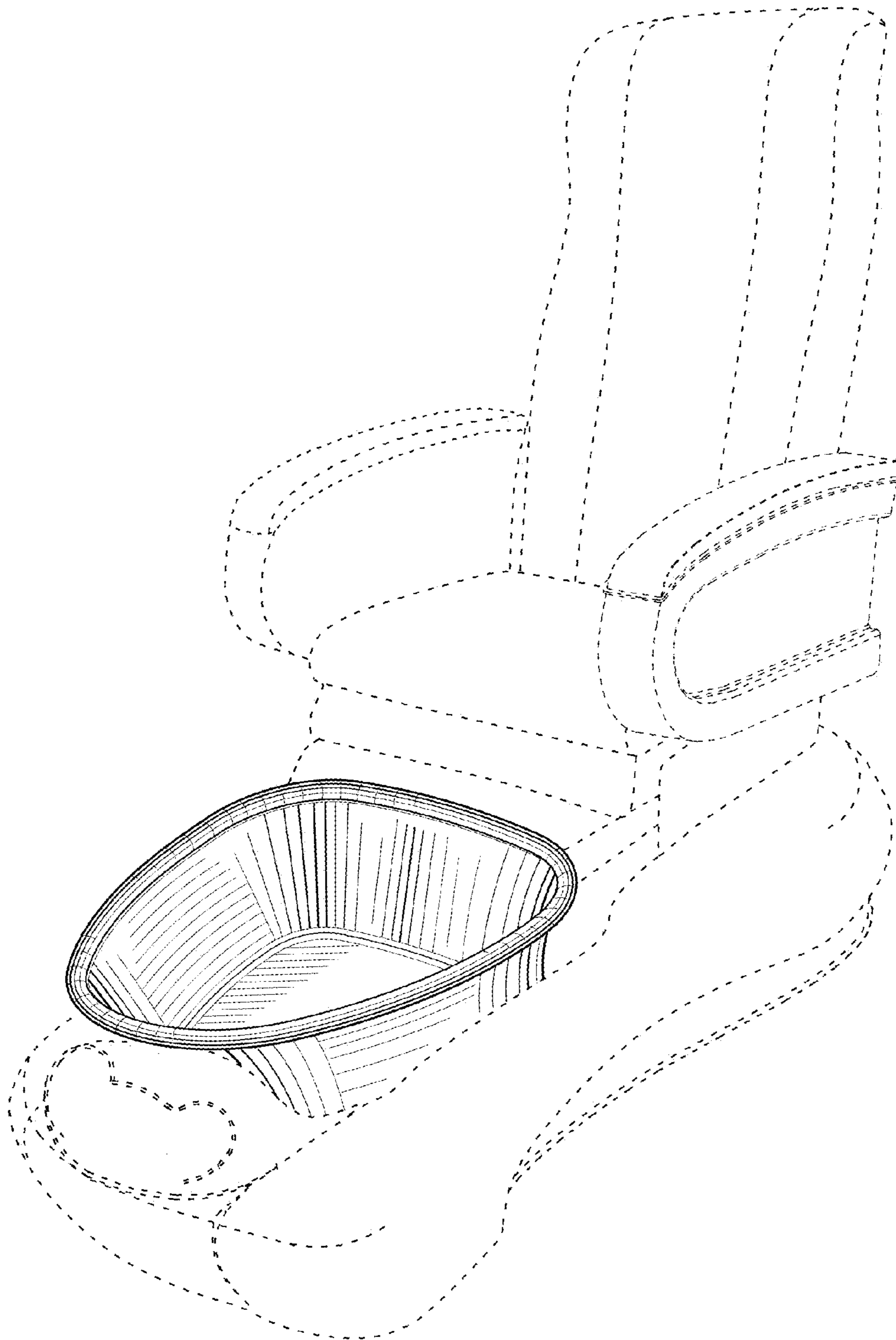


FIG.8