



US00D709611S

(12) **United States Design Patent**
Burger et al.

(10) **Patent No.:** **US D709,611 S**
(45) **Date of Patent:** **** Jul. 22, 2014**

(54) **SUPPORT GUIDE FOR TUBING CASSETTE SYSTEM**

(56) **References Cited**

U.S. PATENT DOCUMENTS

(71) Applicant: **Karl Storz GmbH & Co. KG**,
Tuttlingen (DE)
(72) Inventors: **Matthias Burger**, Schaffhausen (CH);
Bernd Emmerich, Emmingen (DE);
Anika Guempel,
Bodman-Ludwigshafen (DE); **Dirk Puschke**,
Tuttlingen (DE); **Manfred Schmidt**,
Allensbach (DE); **Otmar Stillhard**,
Steckborn (CH)

D264,134	S	*	4/1982	Xanthopoulos	D24/111
D462,121	S	*	8/2002	Cartledge et al.	D24/111
6,468,059	B2	*	10/2002	Haser et al.	417/477.1
7,238,010	B2	*	7/2007	Hershberger et al.	417/477.2
7,513,757	B2	*	4/2009	Gibson et al.	417/477.2
D600,792	S	*	9/2009	Eubanks et al.	D24/111
7,632,079	B2	*	12/2009	Hershberger et al.	417/477.2
8,047,819	B2	*	11/2011	Lawrence et al.	417/477.1
2001/0020148	A1	*	9/2001	Sasse et al.	604/65
2006/0216172	A1	*	9/2006	Fitzgerald	417/477.2
2007/0217933	A1	*	9/2007	Haser et al.	417/477.2

* cited by examiner

Primary Examiner — Ian Simmons

Assistant Examiner — Richelle G Shelton

(74) *Attorney, Agent, or Firm* — Muncy, Geissler, Olds & Lowe, P.C.

(73) Assignee: **Karl Storz GmbH & Co. KG**,
Tuttlingen (DE)

(**) Term: **14 Years**

(57) **CLAIM**

The ornamental design for a support guide for tubing cassette system, as shown and described.

(21) Appl. No.: **29/445,518**

DESCRIPTION

(22) Filed: **Feb. 13, 2013**

FIG. 1 is a left side elevational view of a support guide for tubing cassette system according to the present invention.

(30) **Foreign Application Priority Data**

Aug. 13, 2012 (EM) 002087262-0003

FIG. 2 is a right side elevational view of the support guide for tubing cassette system of FIG. 1.

(51) **LOC (10) Cl.** **24-02**

FIG. 3 is a front perspective view of the support guide for tubing cassette system of FIG. 1.

(52) **U.S. Cl.**
USPC **D24/111**

FIG. 4 is a top plan view of the support guide for tubing cassette system of FIG. 1; and,

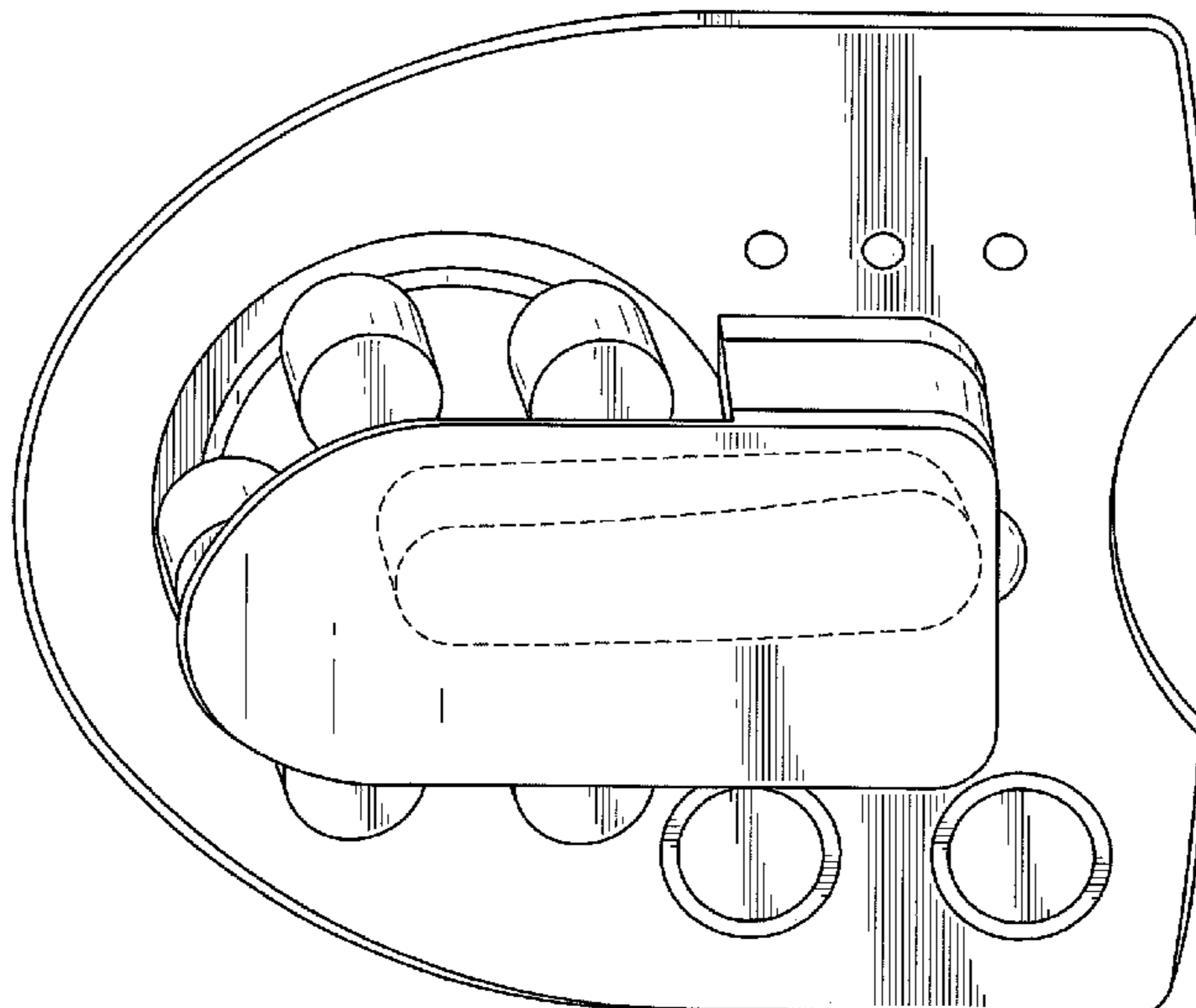
(58) **Field of Classification Search**
USPC D24/107, 108, 11, 128, 172; 417/477.2,
417/474; 604/30, 34, 153, 540

FIG. 5 is a bottom plan view of the support guide for tubing cassette system of FIG. 1.

The broken line showing is included for the purpose of illustrating portions of the article with the lines themselves and the areas within forming no part of the claimed design.

See application file for complete search history.

1 Claim, 3 Drawing Sheets



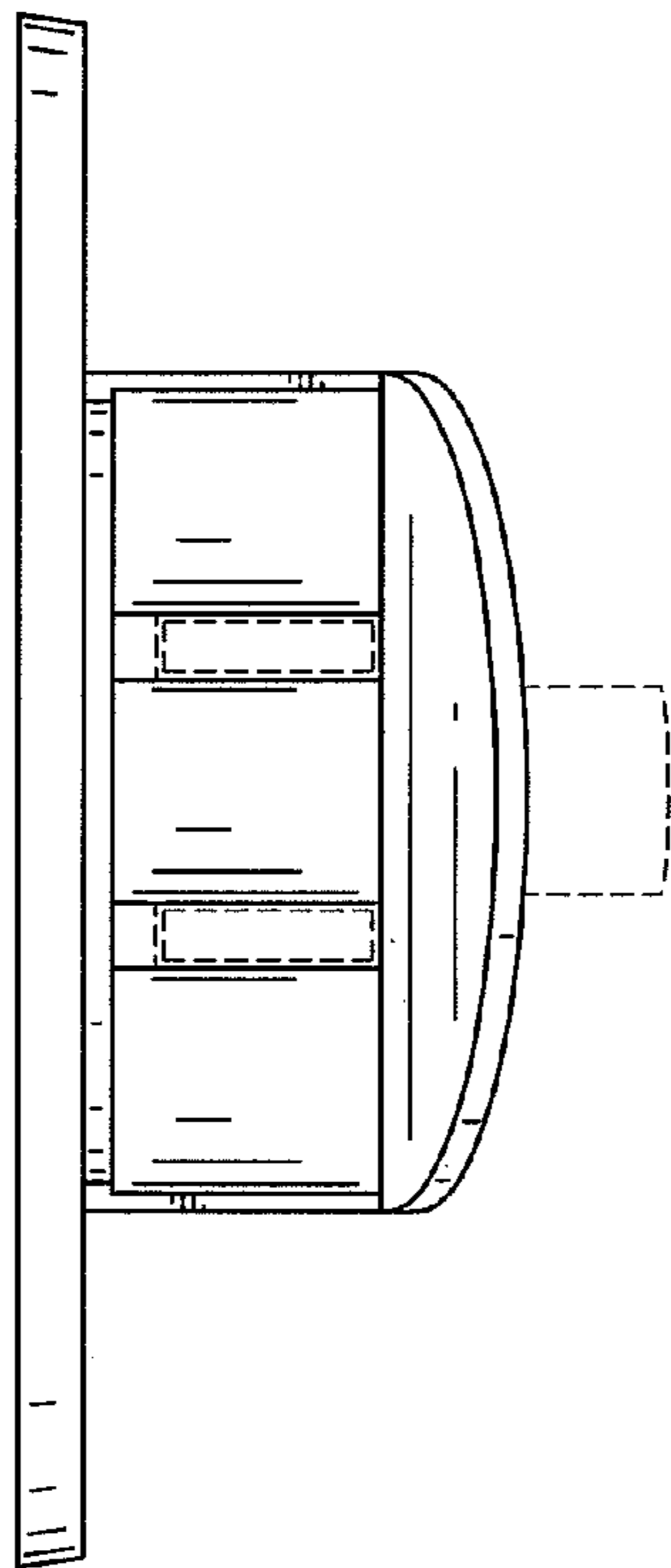


FIG. 1

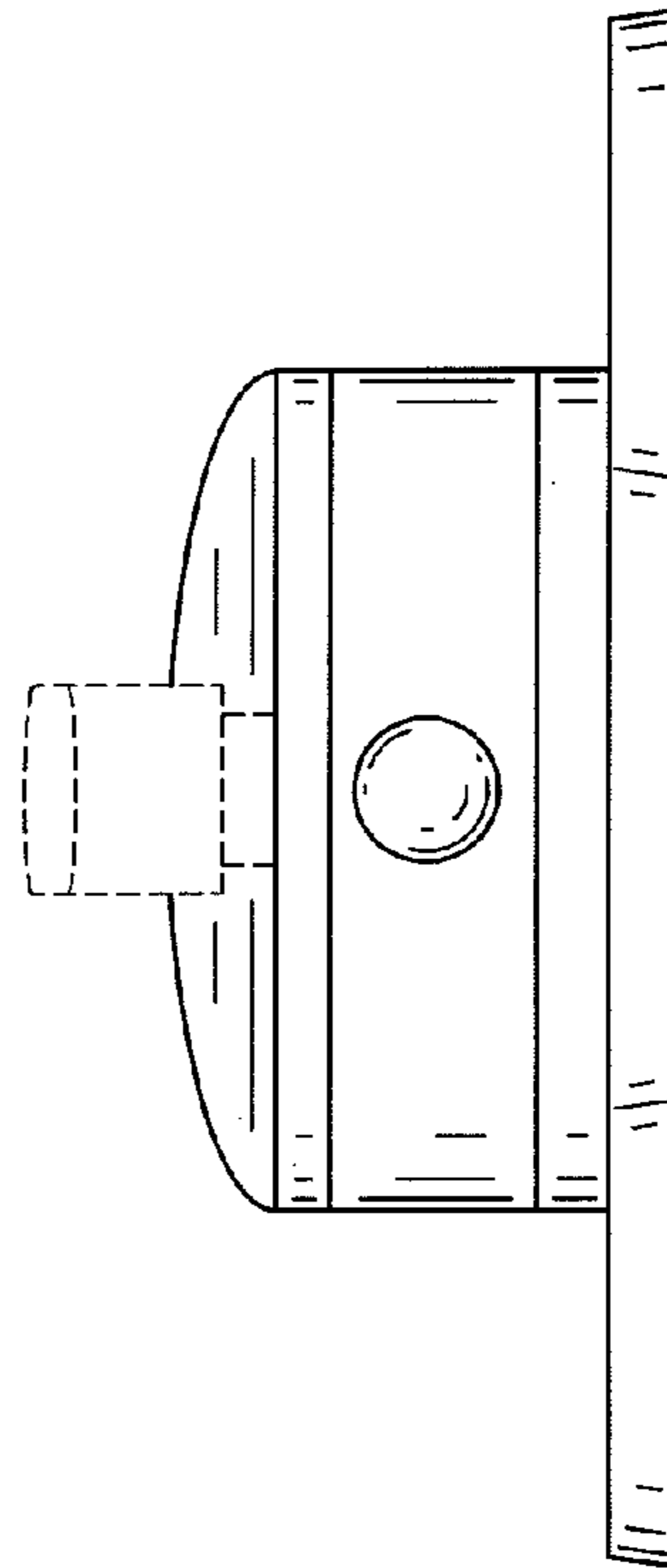


FIG. 2

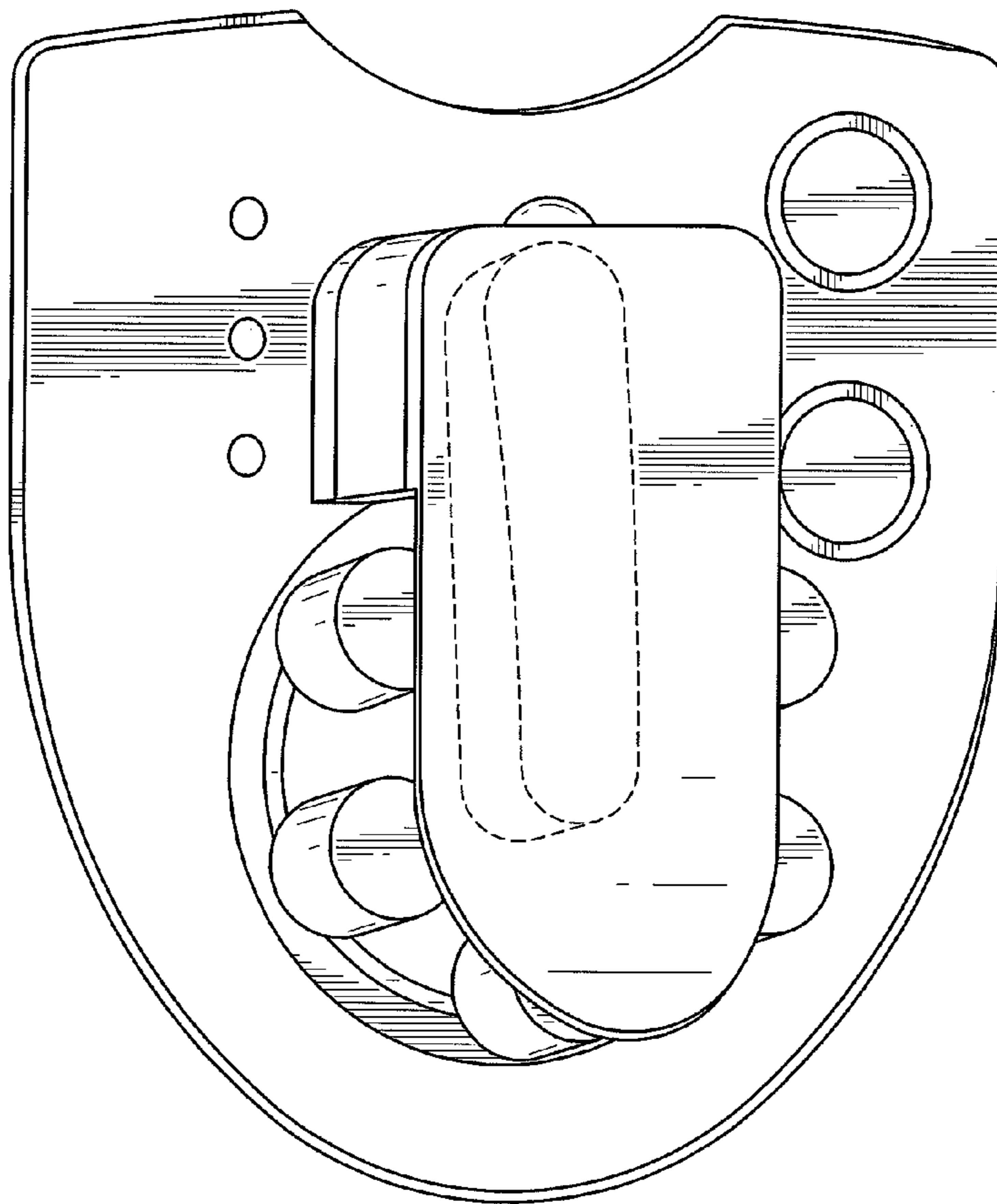


FIG.3

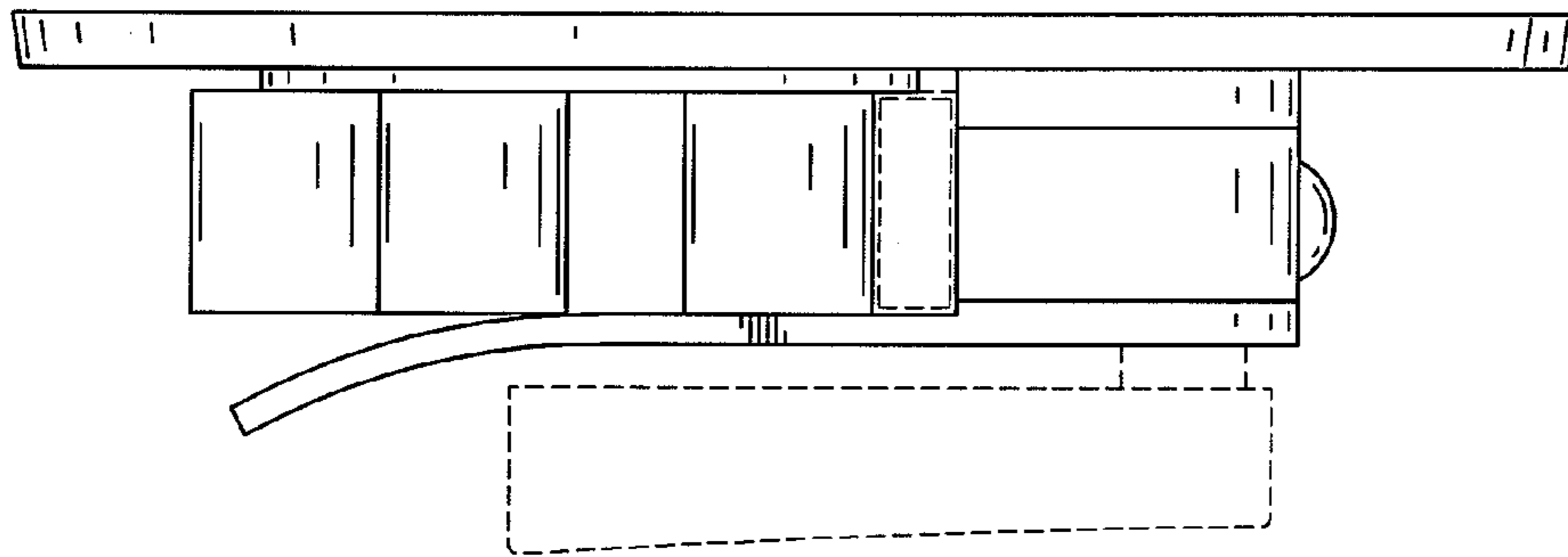


FIG. 4

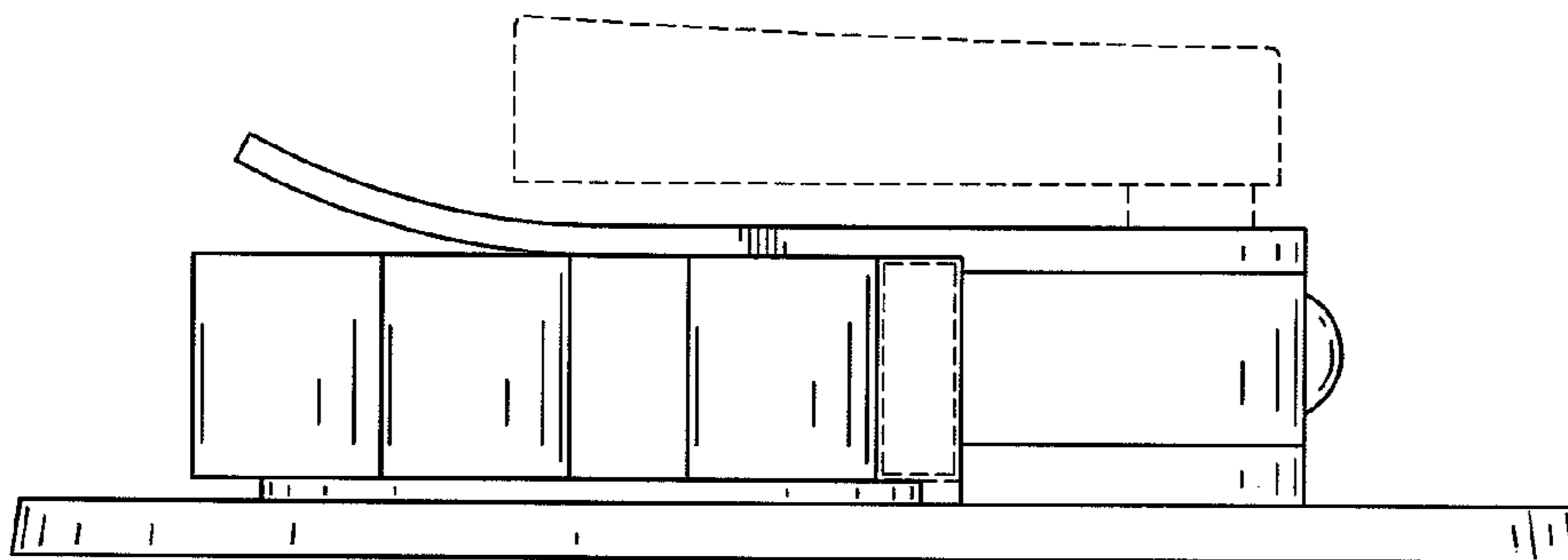


FIG. 5