



US00D709609S

(12) **United States Design Patent**  
**Hatfield et al.**

(10) **Patent No.:** **US D709,609 S**  
(45) **Date of Patent:** **\*\* Jul. 22, 2014**

- (54) **EARPLUG ACCESSORY**
- (71) Applicant: **Naptime, LLC**, Richmond, VA (US)
- (72) Inventors: **Billy Joel Hatfield**, Richmond, VA (US);  
**Johnny Everett Hatfield**, Richmond, VA (US)
- (73) Assignee: **Naptime, LLC**, Richmond, VA (US)
- (\*\*) Term: **14 Years**
- (21) Appl. No.: **29/440,110**
- (22) Filed: **Dec. 19, 2012**
- (51) **LOC (10) Cl.** ..... **24-04**
- (52) **U.S. Cl.**  
USPC ..... **D24/106**
- (58) **Field of Classification Search**  
USPC ..... D24/105, 106, 173, 174; D14/205, 206,  
D14/223; D29/112; 128/864, 865; 181/135;  
381/380  
See application file for complete search history.

7,107,993	B2 *	9/2006	Magidson	.....	128/864
D539,415	S *	3/2007	Fleming	.....	D24/106
D553,736	S	10/2007	Butler		
D591,732	S *	5/2009	Burton	.....	D14/223
7,537,011	B2	5/2009	Falco		
D595,838	S	7/2009	Butler		
D601,693	S	10/2009	Butler		
D606,189	S *	12/2009	Lajtai	.....	D24/106
8,061,472	B2	11/2011	Tiemens		

(Continued)

*Primary Examiner* — Ian Simmons  
*Assistant Examiner* — Richelle G Shelton  
(74) *Attorney, Agent, or Firm* — Brian J. Teague

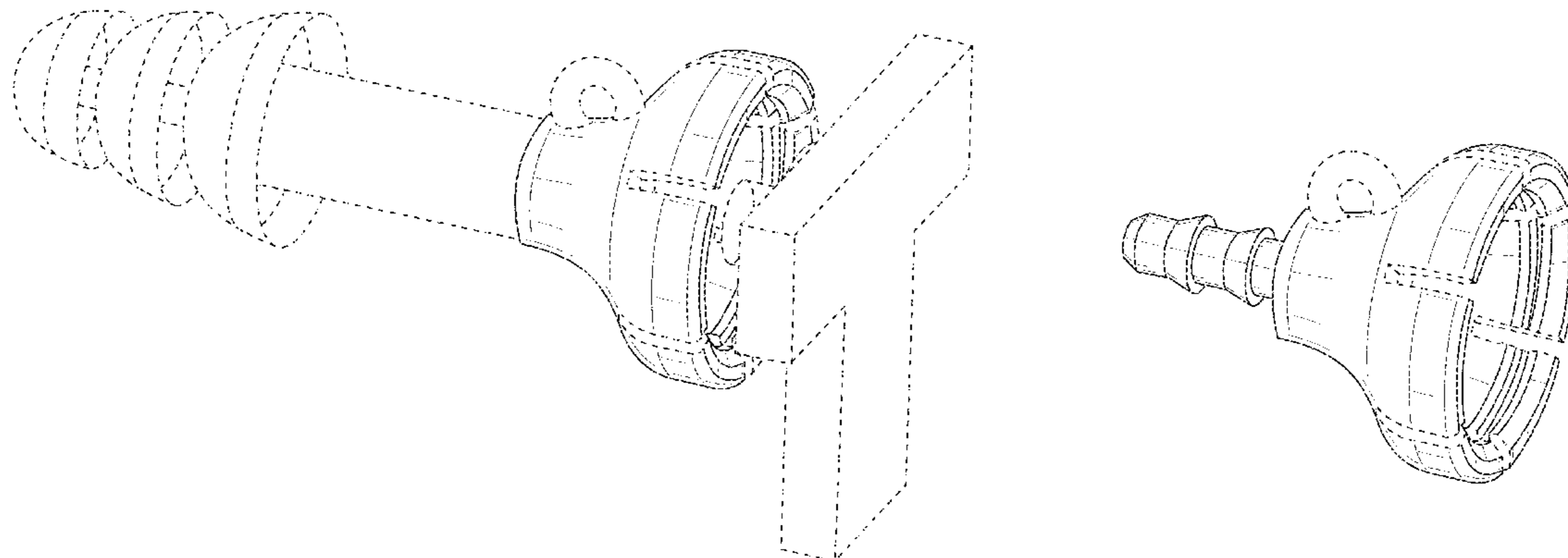
(57) **CLAIM**

I claim the ornamental design for an earplug accessory, as shown and described.

**DESCRIPTION**

FIG. 1 is a perspective view of an earplug accessory shown in use.  
 FIG. 2 is a top view thereof.  
 FIG. 3 is a bottom view thereof.  
 FIG. 4 is a left side view thereof.  
 FIG. 5 is a right side view thereof.  
 FIG. 6 is a rear view thereof.  
 FIG. 7 is a front view thereof.  
 FIG. 8 is a perspective view of the earplug accessory of FIG. 1, showing our new design.  
 FIG. 9 is a top view thereof.  
 FIG. 10 is a bottom view thereof.  
 FIG. 11 is a left side view thereof.  
 FIG. 12 is a right side view thereof.  
 FIG. 13 is a rear view thereof.  
 FIG. 14 is a front view thereof; and,  
 FIG. 15 is a cross-sectional view thereof, taken along line 15-15 of FIG. 14.  
 In the drawings, the broken lines shown in the figures depict unclaimed subject matter and environmental structure, and form no part of the claimed design.

**1 Claim, 15 Drawing Sheets**



# US D709,609 S

Page 2

---

(56)

## References Cited

U.S. PATENT DOCUMENTS

D650,062 S 12/2011 Butler

D664,124 S 7/2012 Smith  
2008/0181441 A1 7/2008 Smith  
2010/0300460 A1 12/2010 Falco

\* cited by examiner

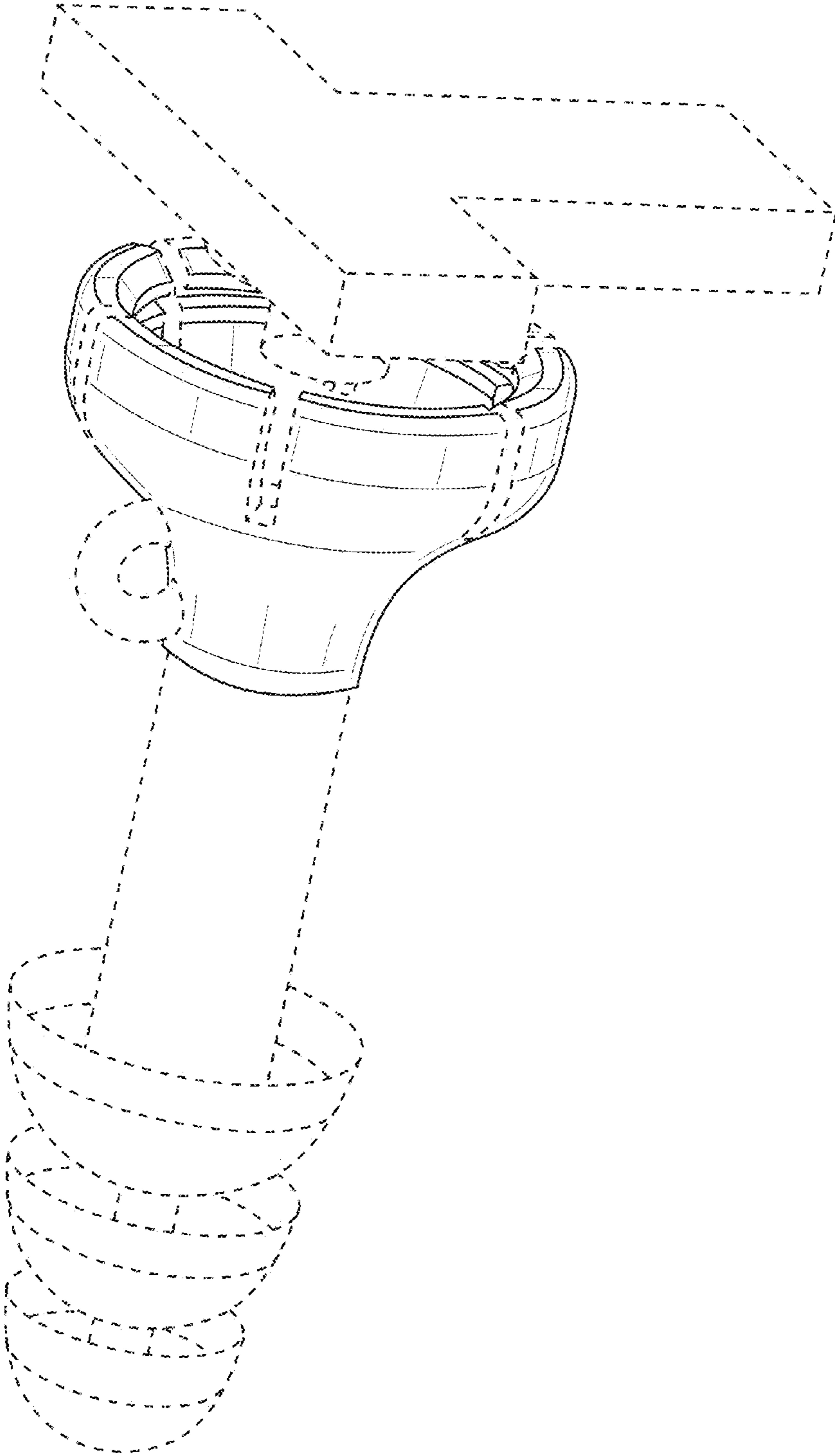
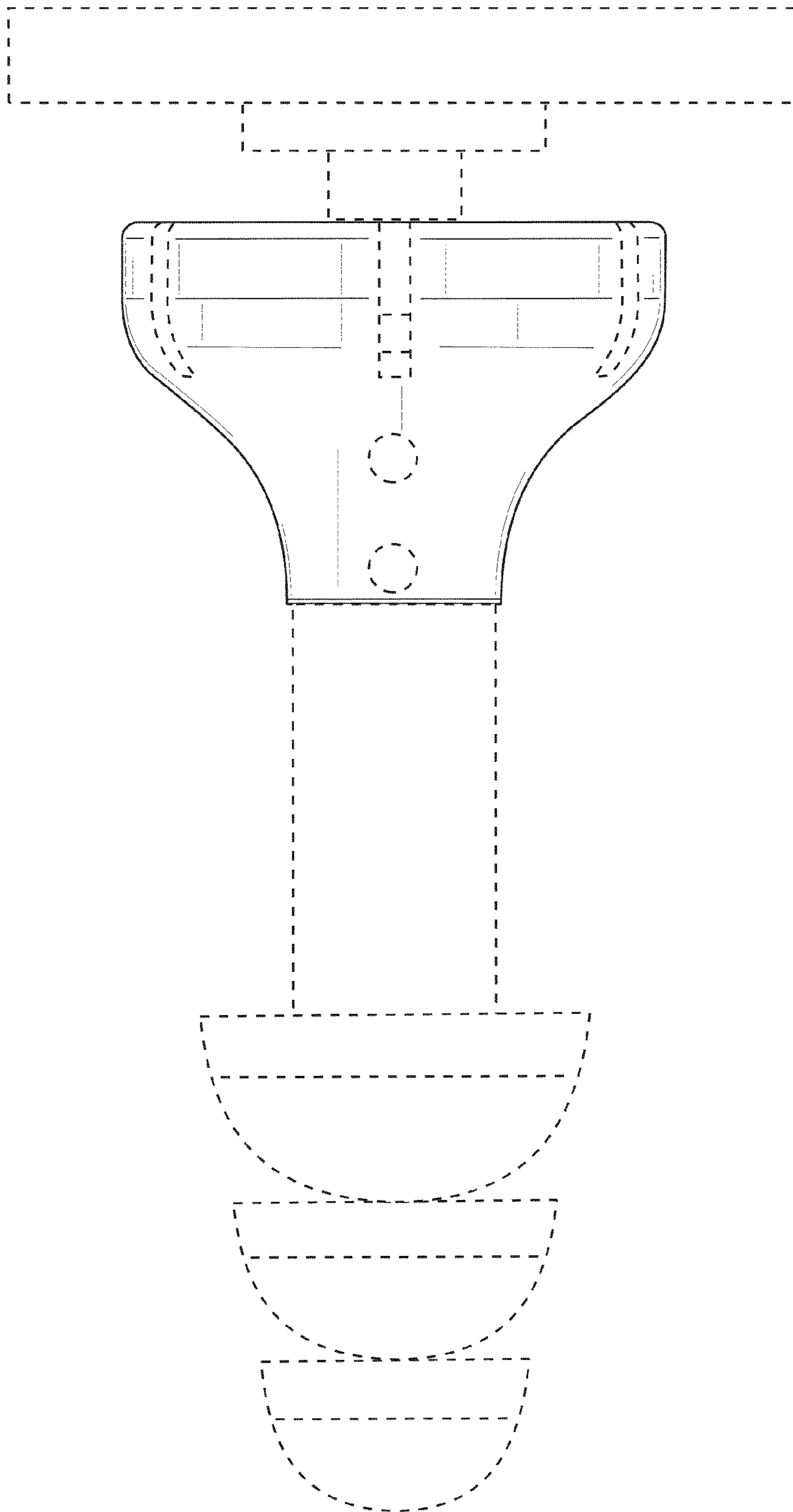
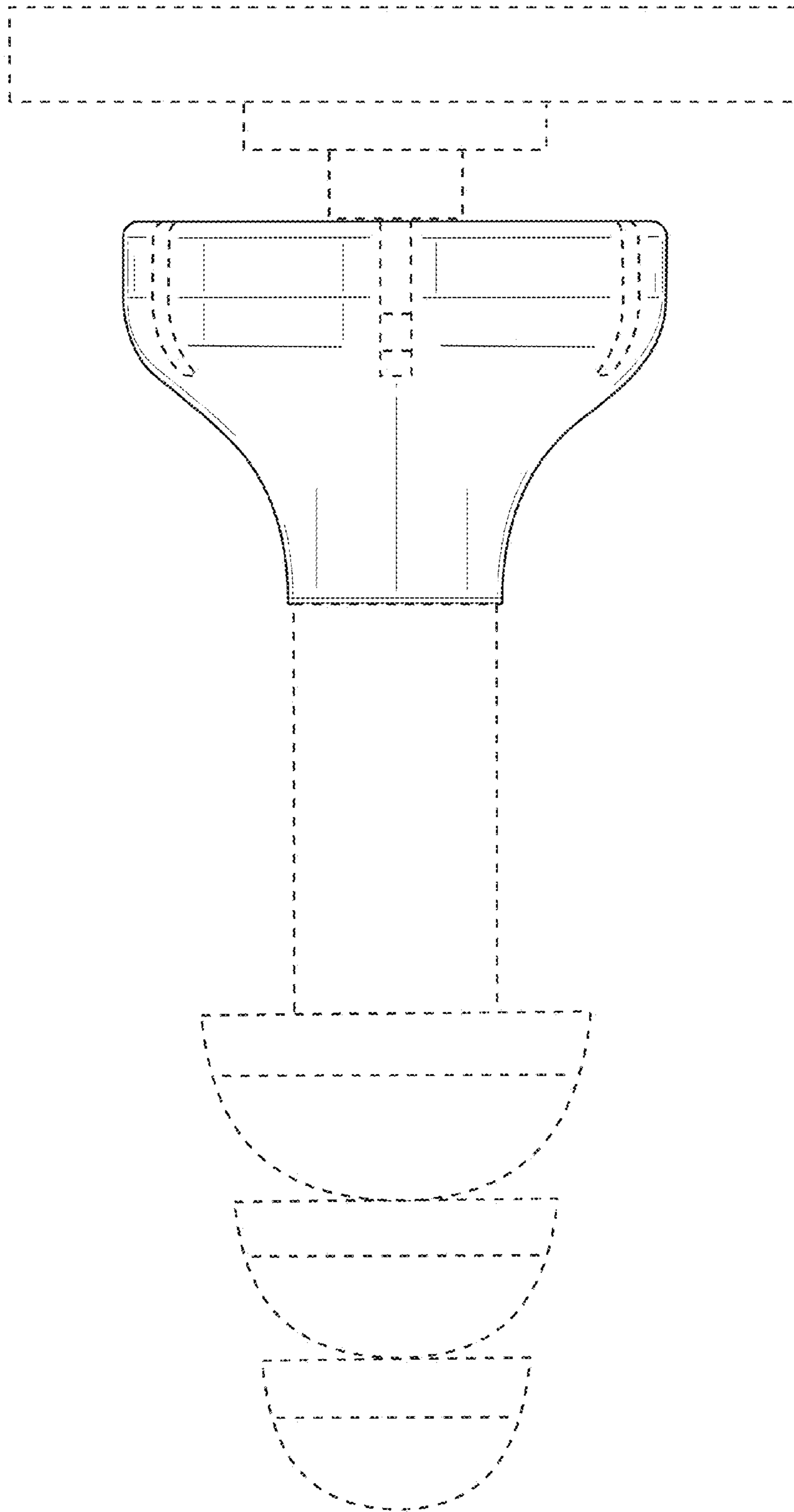


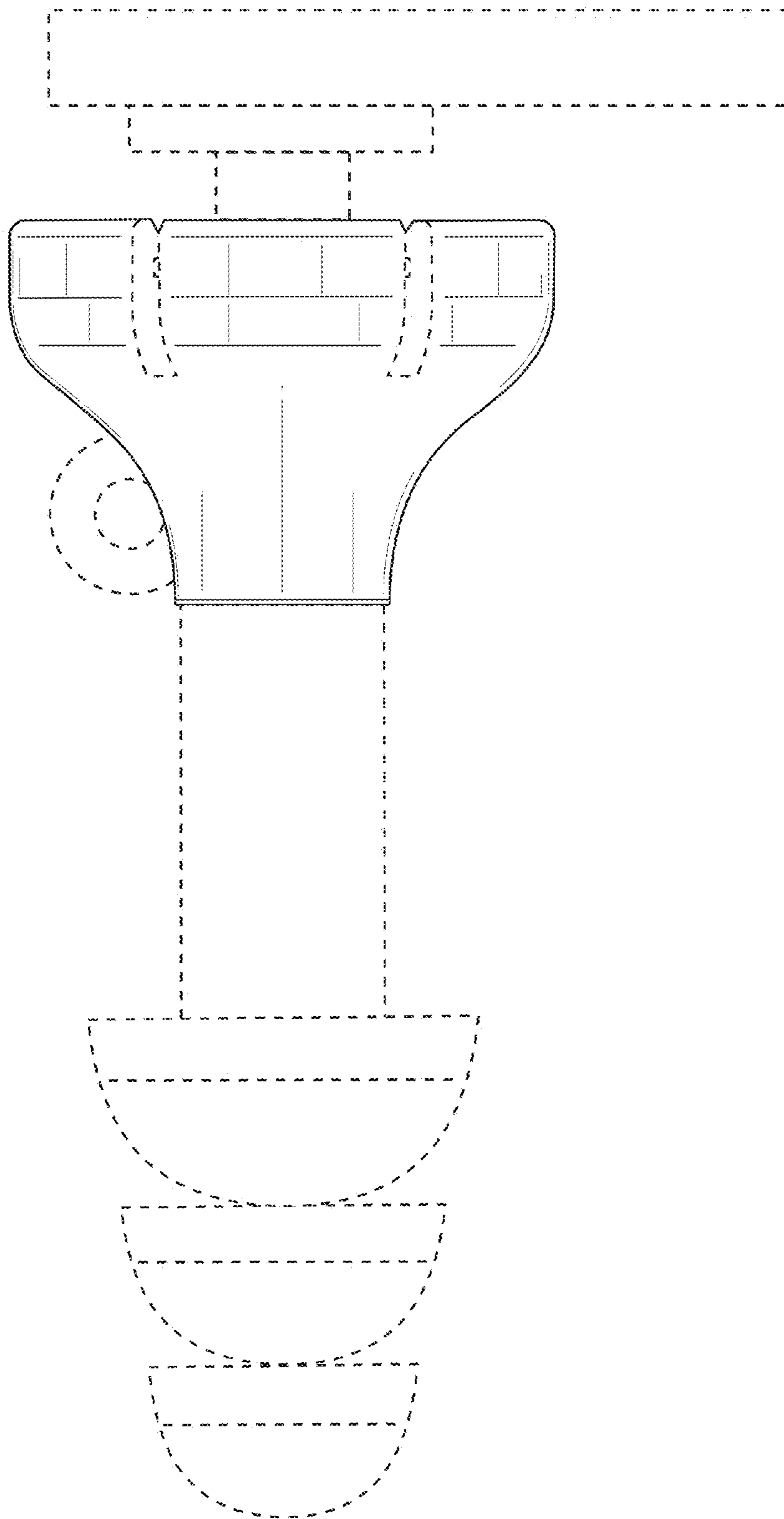
FIG. 1



**FIG. 2**



**FIG. 3**



**FIG. 4**

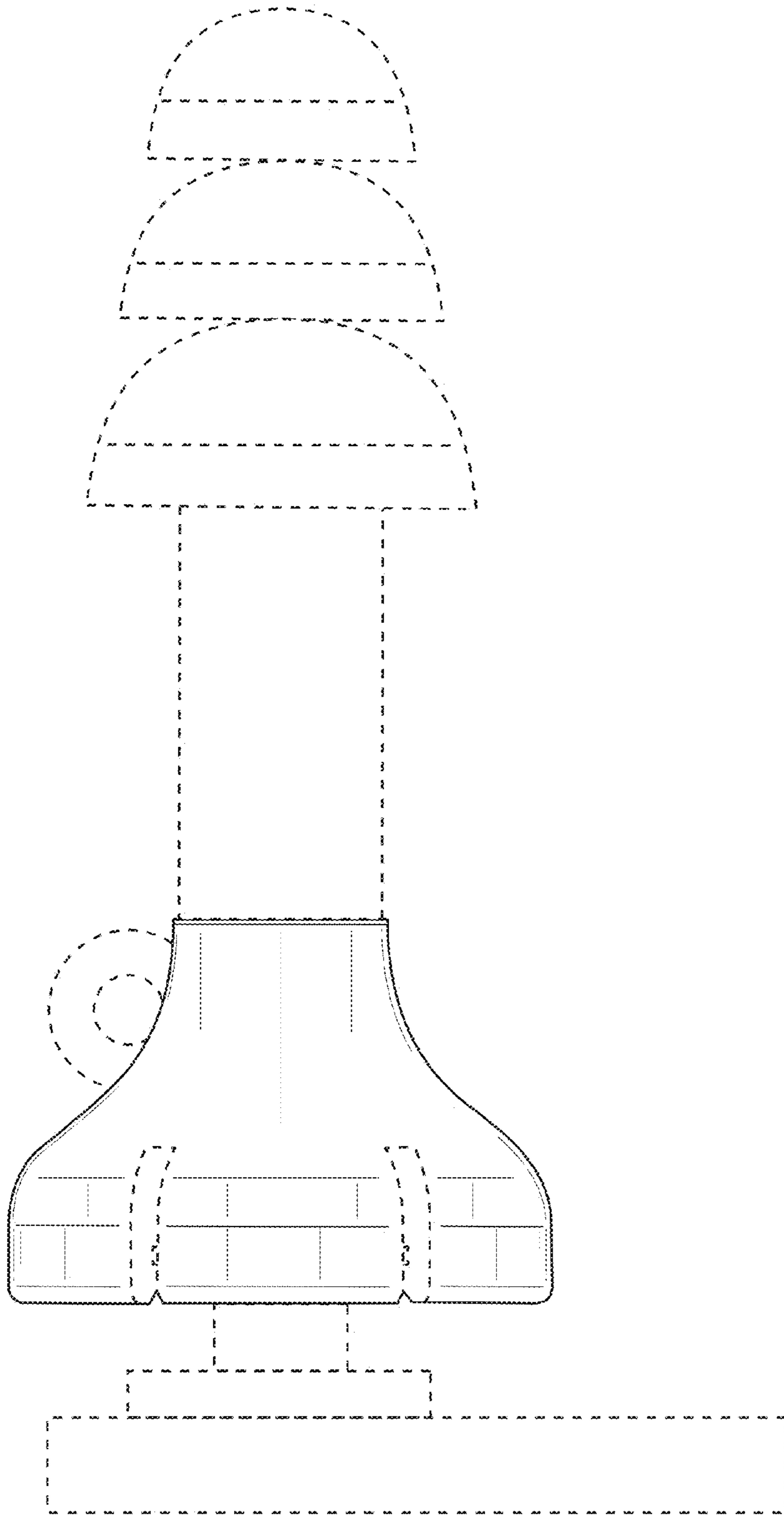


FIG. 5

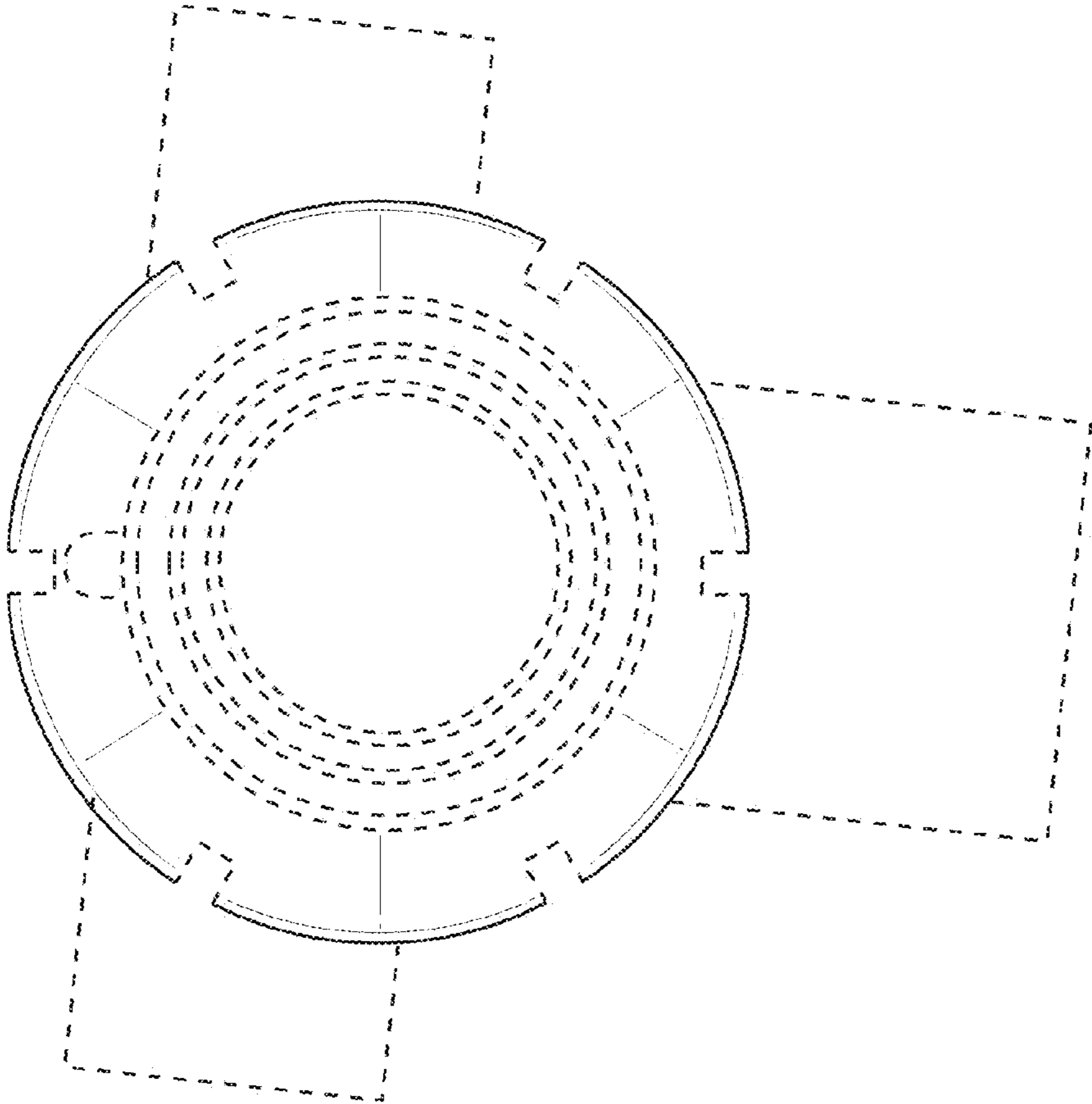


FIG. 6



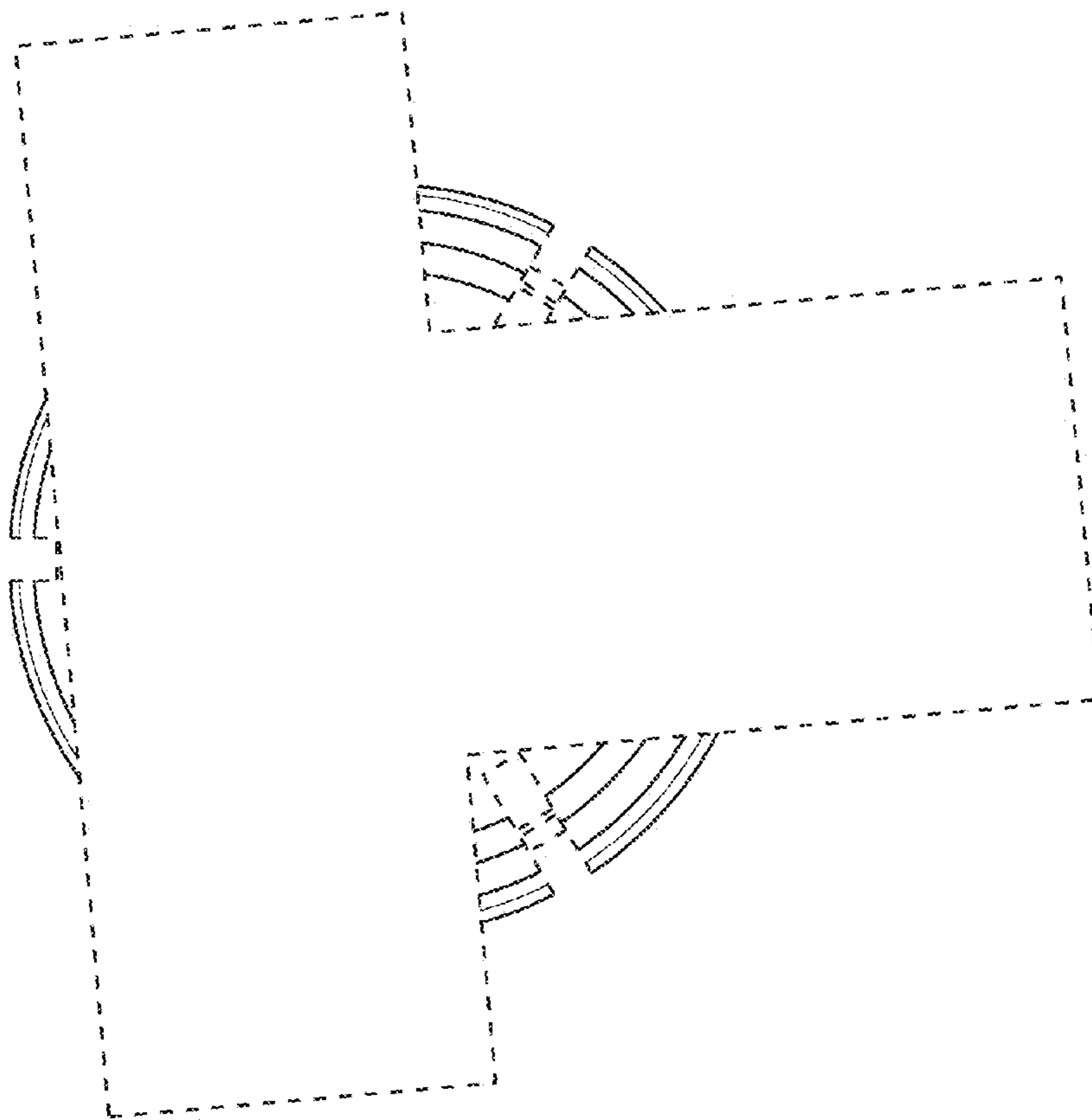
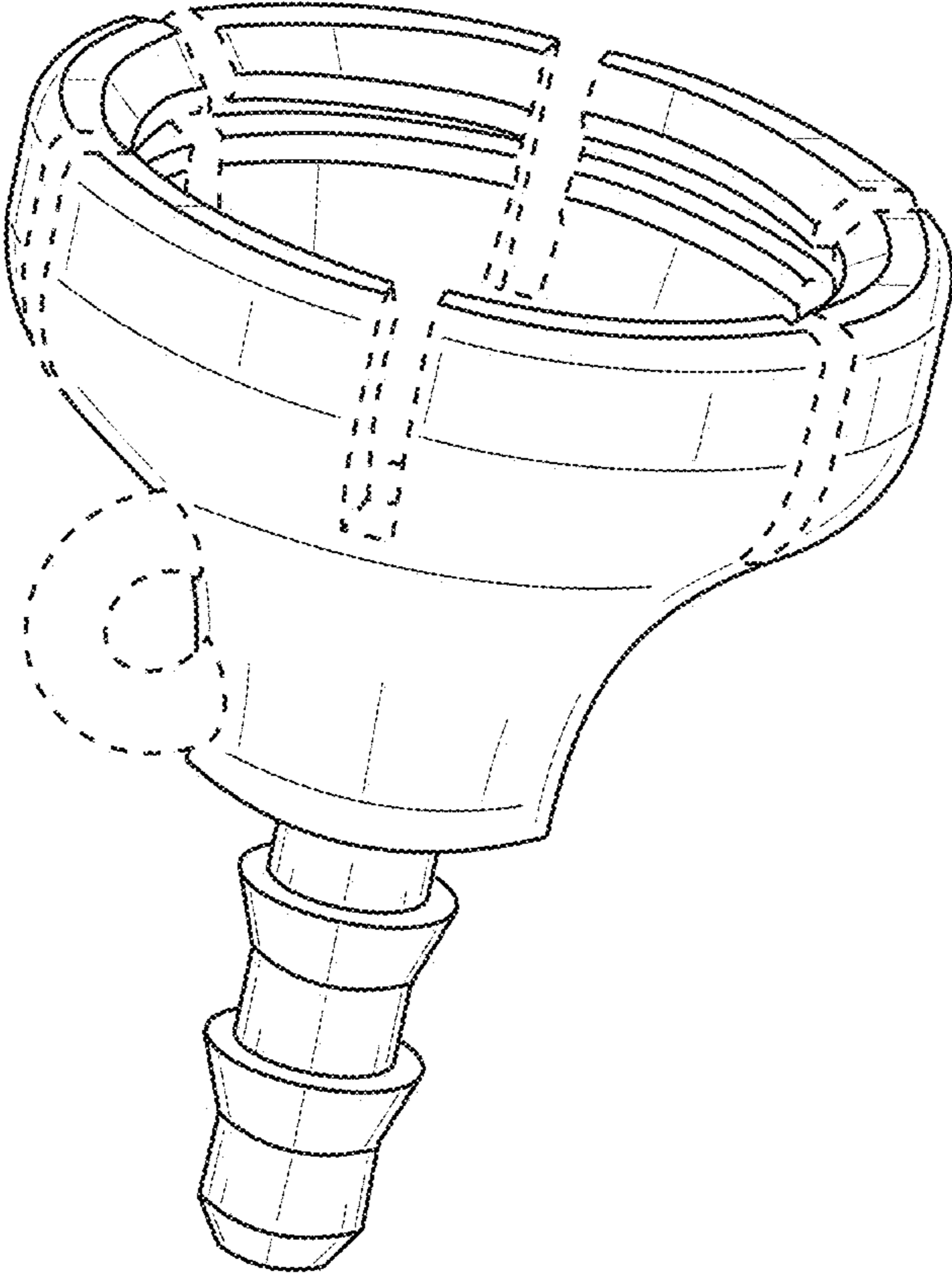
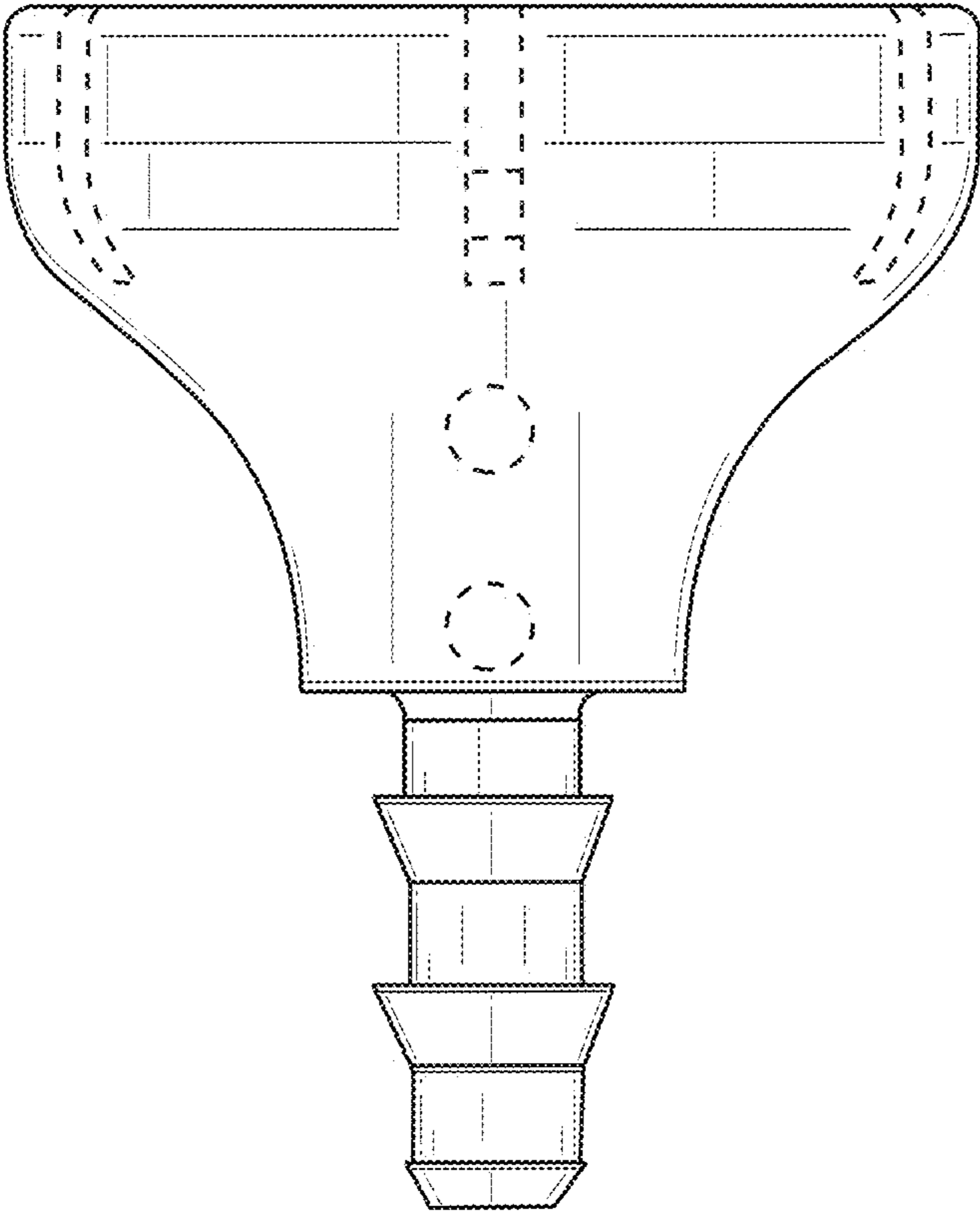


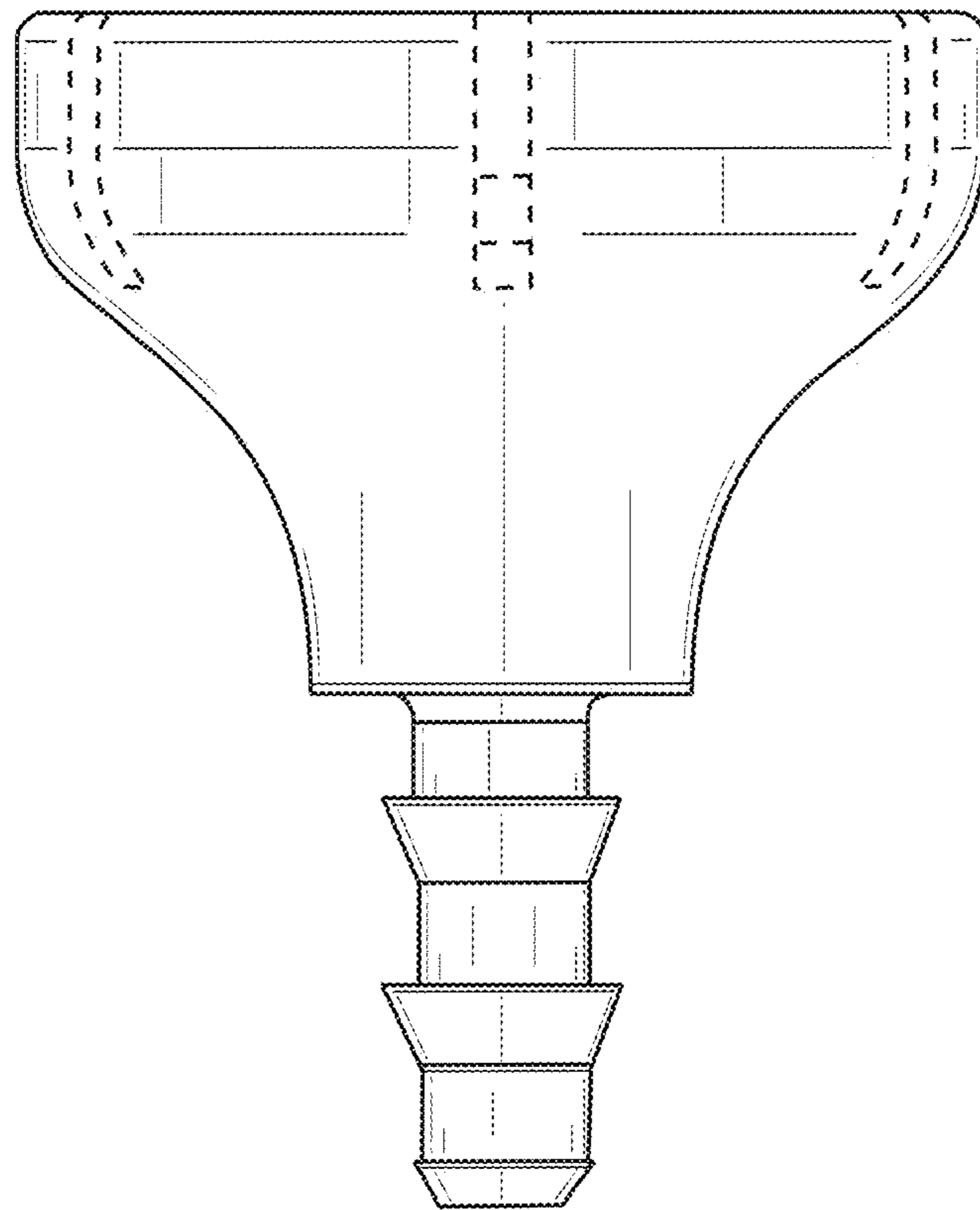
FIG. 7



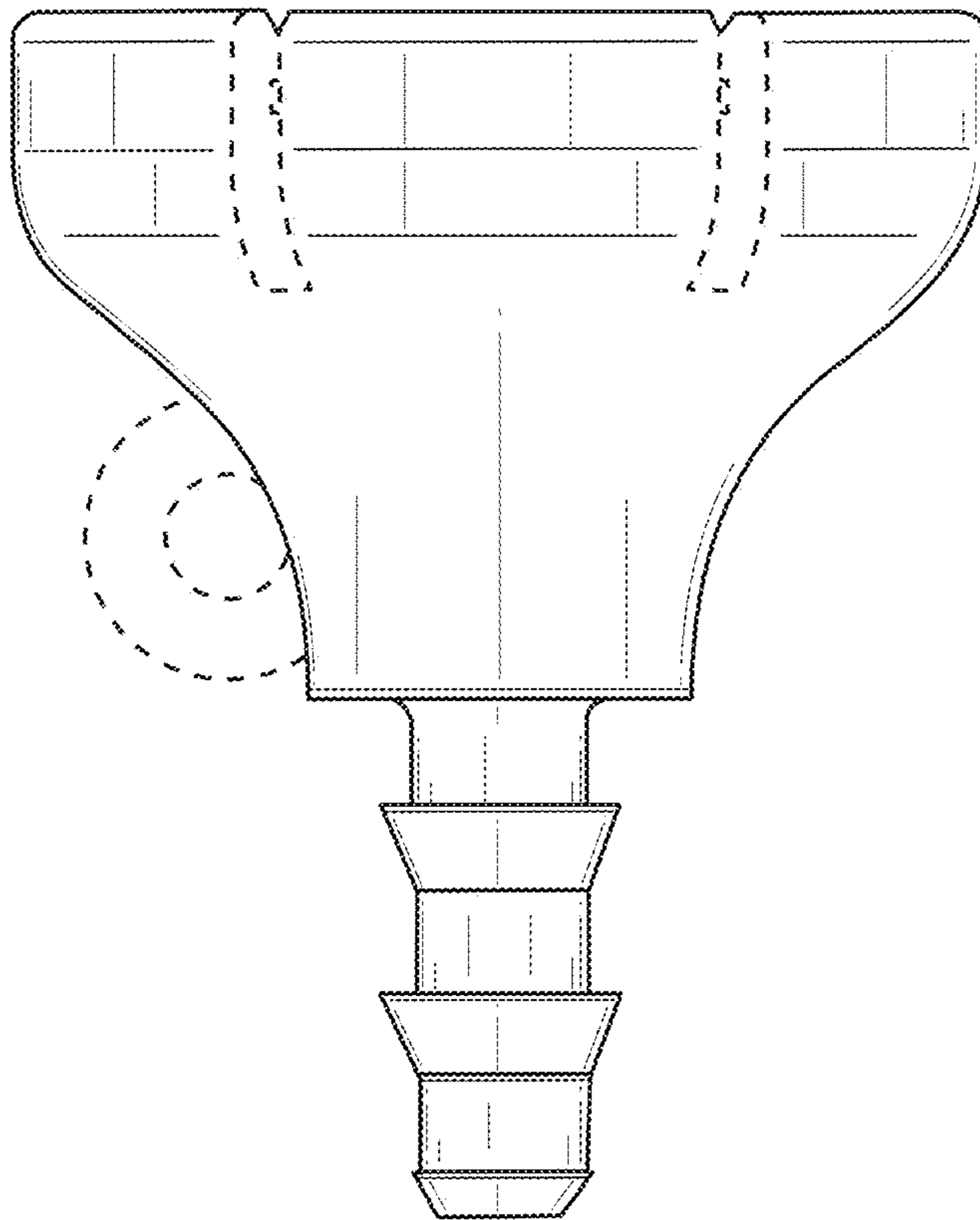
**FIG. 8**



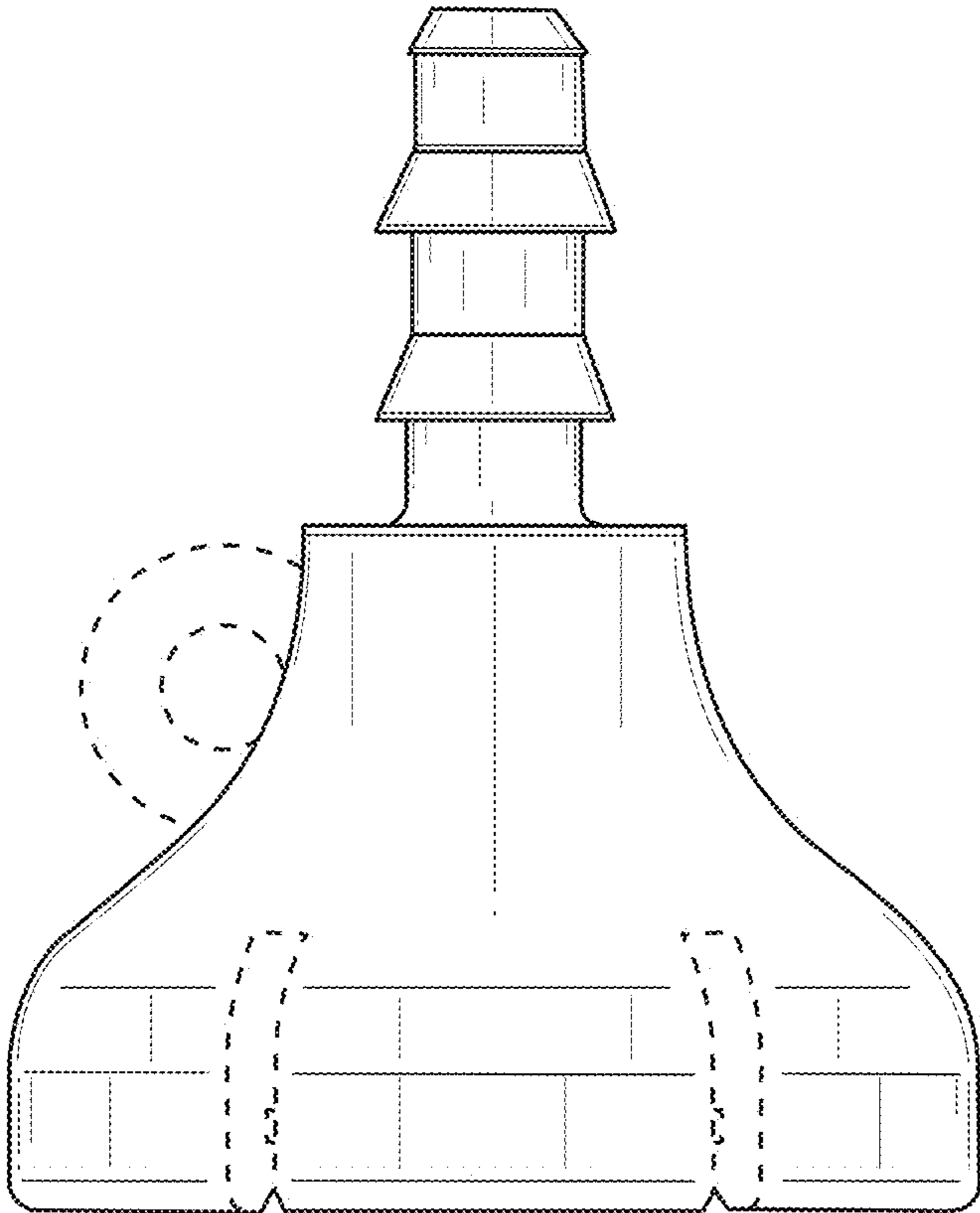
**FIG. 9**



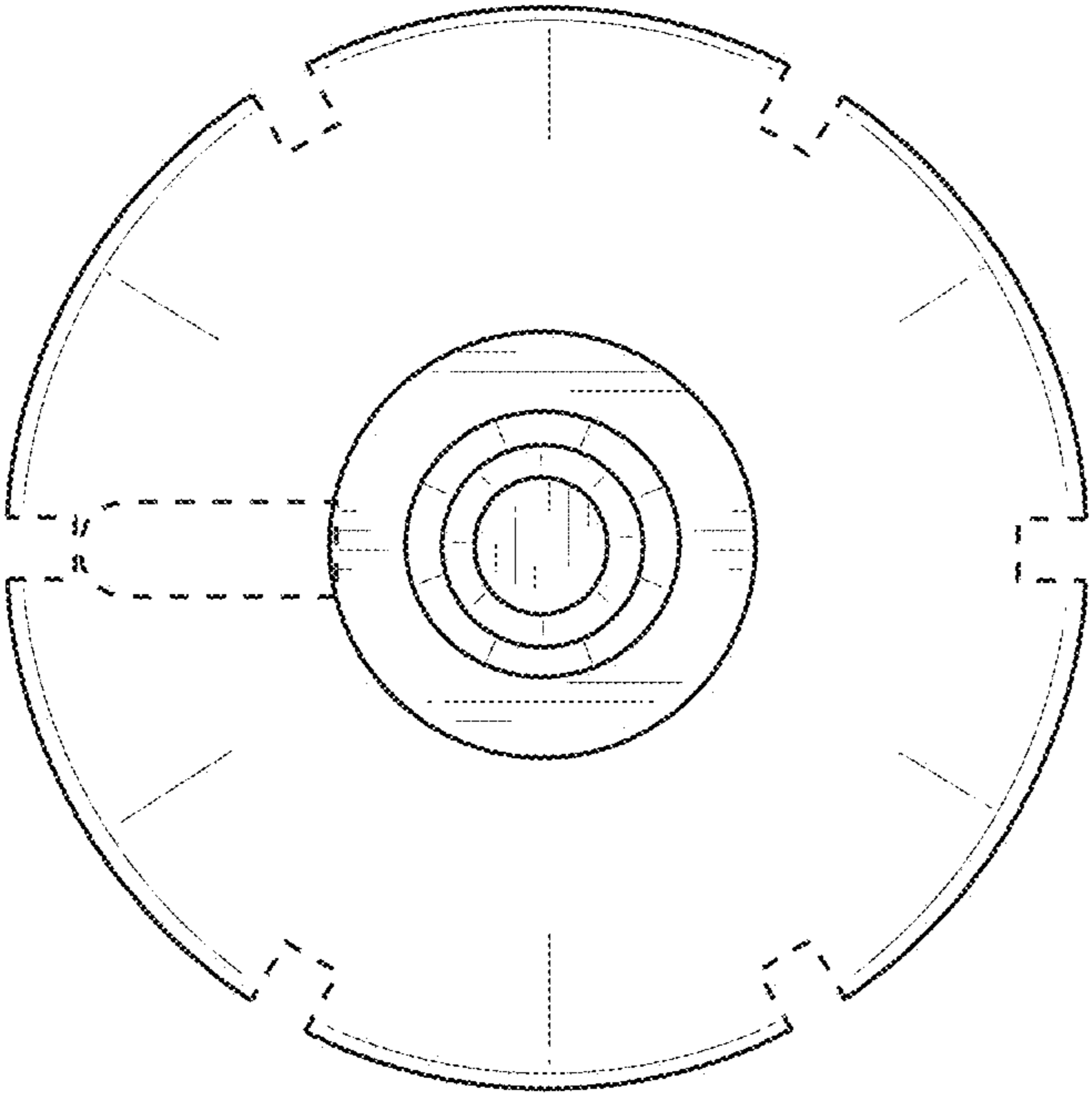
**FIG. 10**



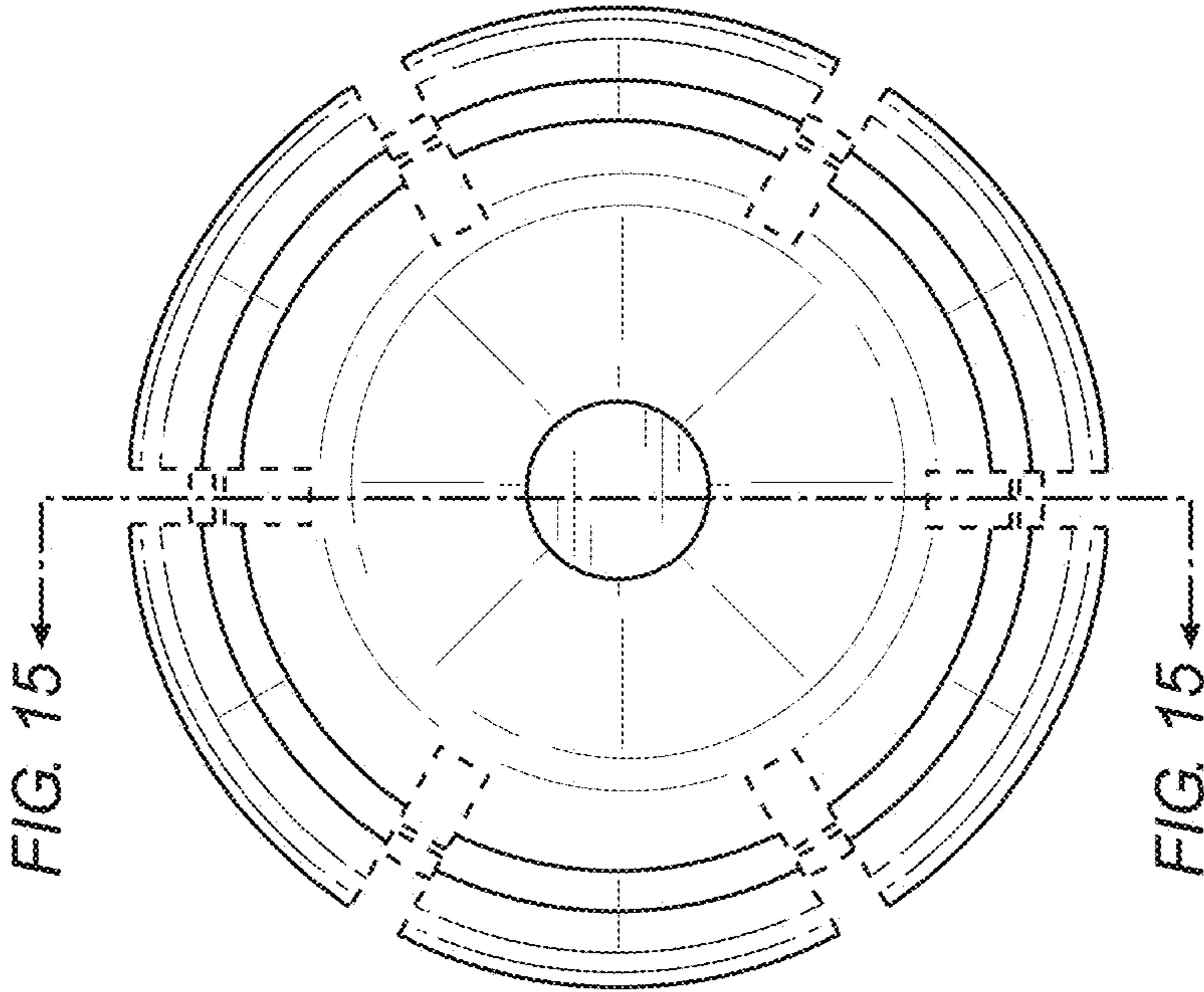
**FIG. 11**



**FIG. 12**

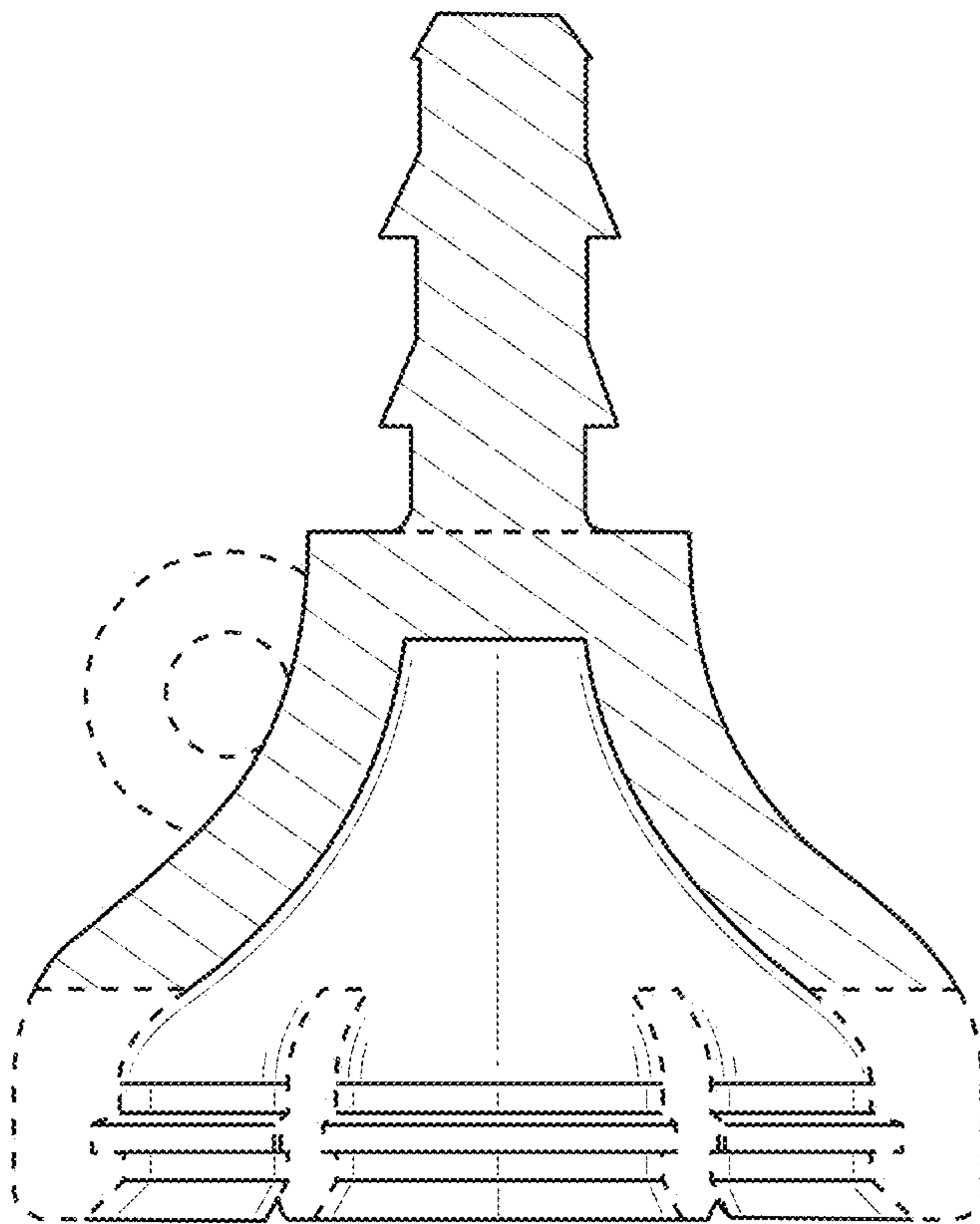


**FIG. 13**



**FIG. 14**





**FIG. 15**