



US00D709608S

(12) **United States Design Patent**
Hatfield et al.

(10) **Patent No.:** **US D709,608 S**

(45) **Date of Patent:** **** Jul. 22, 2014**

(54) **EARPLUG ACCESSORY**

(71) Applicant: **Naptime, LLC**, Richmond, VA (US)

(72) Inventors: **Billy Joel Hatfield**, Richmond, VA (US);
Johnny Everett Hatfield, Richmond, VA (US)

(73) Assignee: **Naptime, LLC**, Richmond, VA (US)

(**) Term: **14 Years**

(21) Appl. No.: **29/440,103**

(22) Filed: **Dec. 19, 2012**

(51) **LOC (10) Cl.** **24-04**

(52) **U.S. Cl.**
USPC **D24/106**

(58) **Field of Classification Search**
USPC D24/105, 106, 173, 174; D14/205, 206,
D14/223; D29/112; 128/864, 865; 181/135;
381/380
See application file for complete search history.

(56) **References Cited**

U.S. PATENT DOCUMENTS

| | | | | |
|-----------|-----|---------|---------------|---------|
| 2,487,038 | A * | 11/1949 | Baum | 181/135 |
| 2,850,012 | A | 9/1958 | Becker | |
| 3,123,069 | A | 3/1964 | Lisae | |
| 4,094,315 | A | 6/1978 | Leight | |
| 4,314,553 | A | 2/1982 | Westerdal | |
| 4,867,149 | A | 9/1989 | Falco | |
| 5,113,967 | A | 5/1992 | Killion | |
| D366,696 | S * | 1/1996 | Krause | D24/106 |
| 5,819,745 | A | 10/1998 | Mobley | |
| 6,006,857 | A * | 12/1999 | Leight et al. | 181/135 |

(Continued)

Primary Examiner — Ian Simmons

Assistant Examiner — Richelle G Shelton

(74) *Attorney, Agent, or Firm* — Brian J. Teague

(57) **CLAIM**

We claim the ornamental design for an earplug accessory, as shown and described.

DESCRIPTION

FIG. 1 is a perspective view of an earplug accessory shown in use.

FIG. 2 is a top view thereof.

FIG. 3 is a bottom view thereof.

FIG. 4 is a left side view thereof.

FIG. 5 is a right side view thereof.

FIG. 6 is a rear view thereof.

FIG. 7 is a front view thereof.

FIG. 8 is a perspective view of the earplug accessory of FIG. 1, showing our new design.

FIG. 9 is a top view thereof.

FIG. 10 is a bottom view thereof.

FIG. 11 is a left side view thereof.

FIG. 12 is a right side view thereof.

FIG. 13 is a rear view thereof.

FIG. 14 is a front view thereof.

FIG. 15 is a cross-sectional view thereof, taken along line 15-15 of FIG. 9.

FIG. 16 is a perspective view of a second embodiment of the earplug accessory shown in use.

FIG. 17 is a top view thereof.

FIG. 18 is a bottom view thereof.

FIG. 19 is a left side view thereof.

FIG. 20 is a right side view thereof.

FIG. 21 is a rear view thereof.

FIG. 22 is a front view thereof.

FIG. 23 is a perspective view of the earplug accessory of FIG. 16.

FIG. 24 is a top view thereof.

FIG. 25 is a bottom view thereof.

FIG. 26 is a left side view thereof.

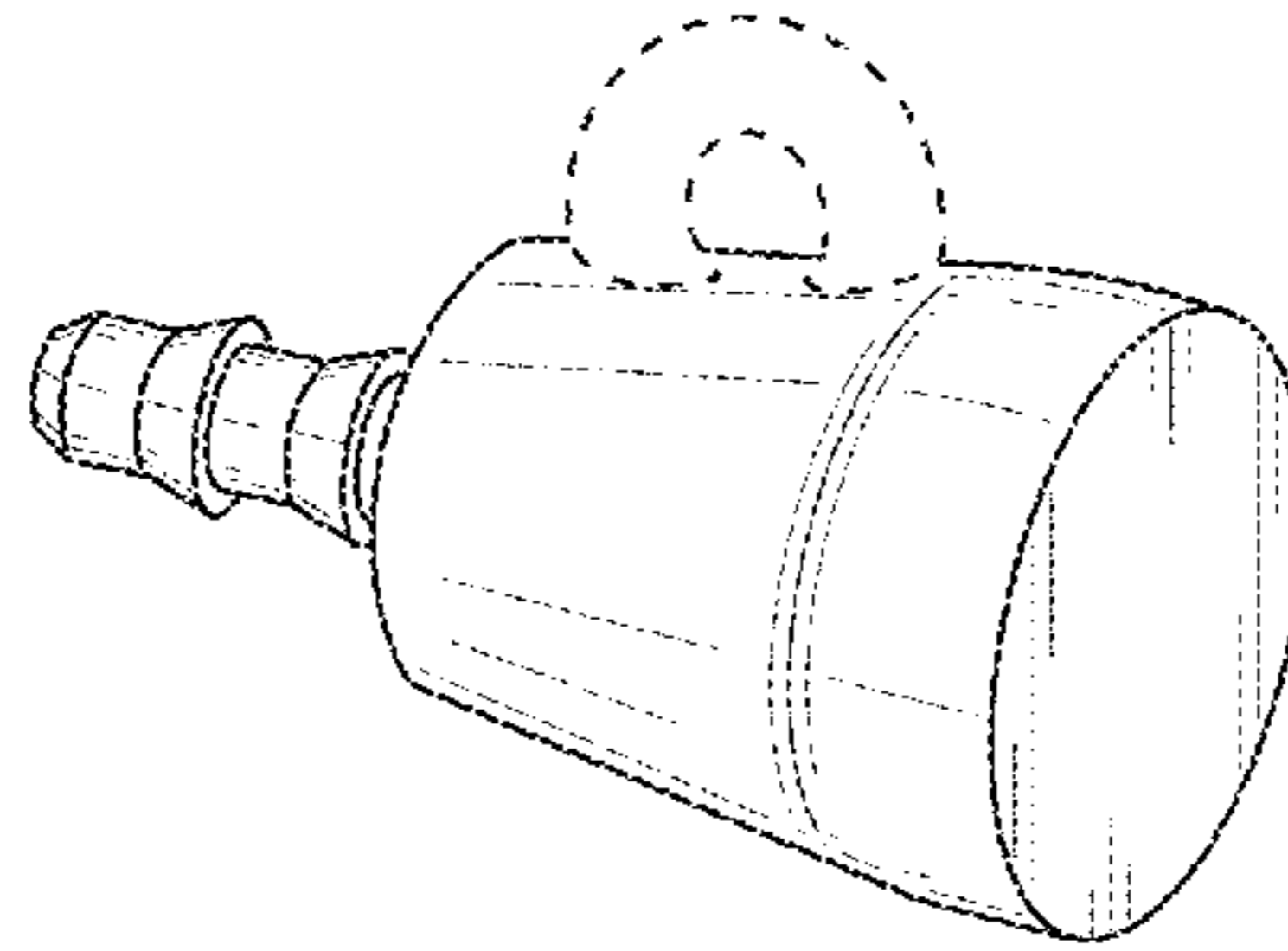
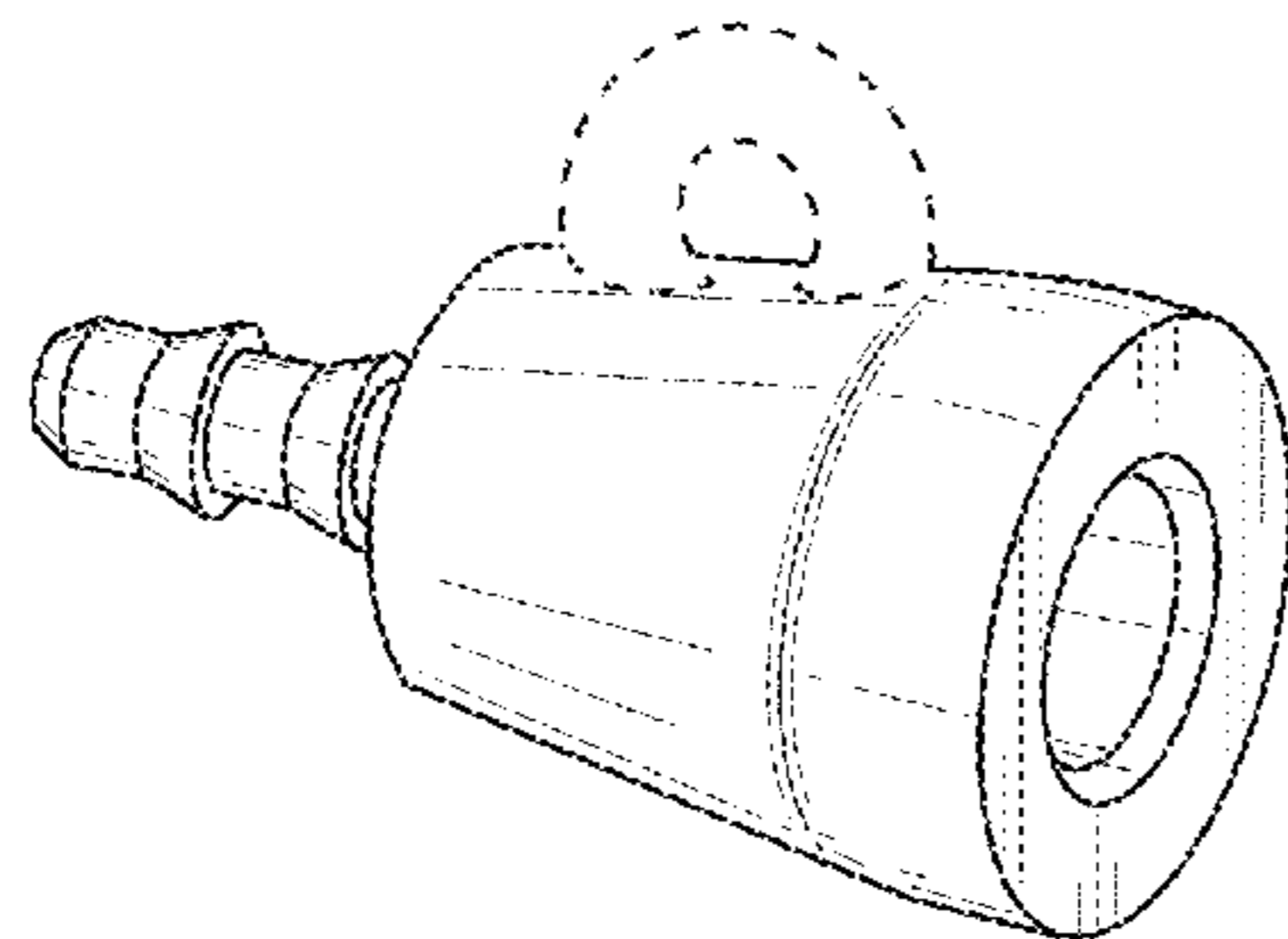
FIG. 27 is a right side view thereof.

FIG. 28 is a rear view thereof; and,

FIG. 29 is a front view thereof.

In the drawings, the broken lines shown in the figures depict unclaimed subject matter and environmental structure, and form no part of the claimed design.

1 Claim, 29 Drawing Sheets



(56)

References Cited

U.S. PATENT DOCUMENTS

| | | | | | | |
|----------------|---------|-------------------|-----------------|---------|----------------------|---------|
| D434,139 S | 11/2000 | Foslien | D553,736 S | 10/2007 | Butler | |
| D435,645 S | 12/2000 | Westerdal | 7,537,011 B2 | 5/2009 | Falco | |
| D436,164 S | 1/2001 | Foslien | D595,838 S | 7/2009 | Butler | |
| D449,295 S | 10/2001 | Smith | D601,693 S | 10/2009 | Butler | |
| 6,408,981 B1 * | 6/2002 | Smith et al. | 7,600,604 B2 * | 10/2009 | Babcock et al. | 181/130 |
| 6,425,398 B1 | 7/2002 | Hirshfeld | D606,189 S * | 12/2009 | Lajtai | D24/106 |
| D521,637 S | 5/2006 | Yang | D624,999 S * | 10/2010 | Turdjian et al. | D24/106 |
| D523,845 S | 6/2006 | Smith | 8,061,472 B2 | 11/2011 | Tiemens | |
| D539,415 S * | 3/2007 | Fleming | D650,062 S | 12/2011 | Butler | |
| D541,412 S * | 4/2007 | Benner | D664,124 S | 7/2012 | Smith | |
| | | | 2008/0181441 A1 | 7/2008 | Smith | |
| | | | 2010/0300460 A1 | 12/2010 | Falco | |

* cited by examiner

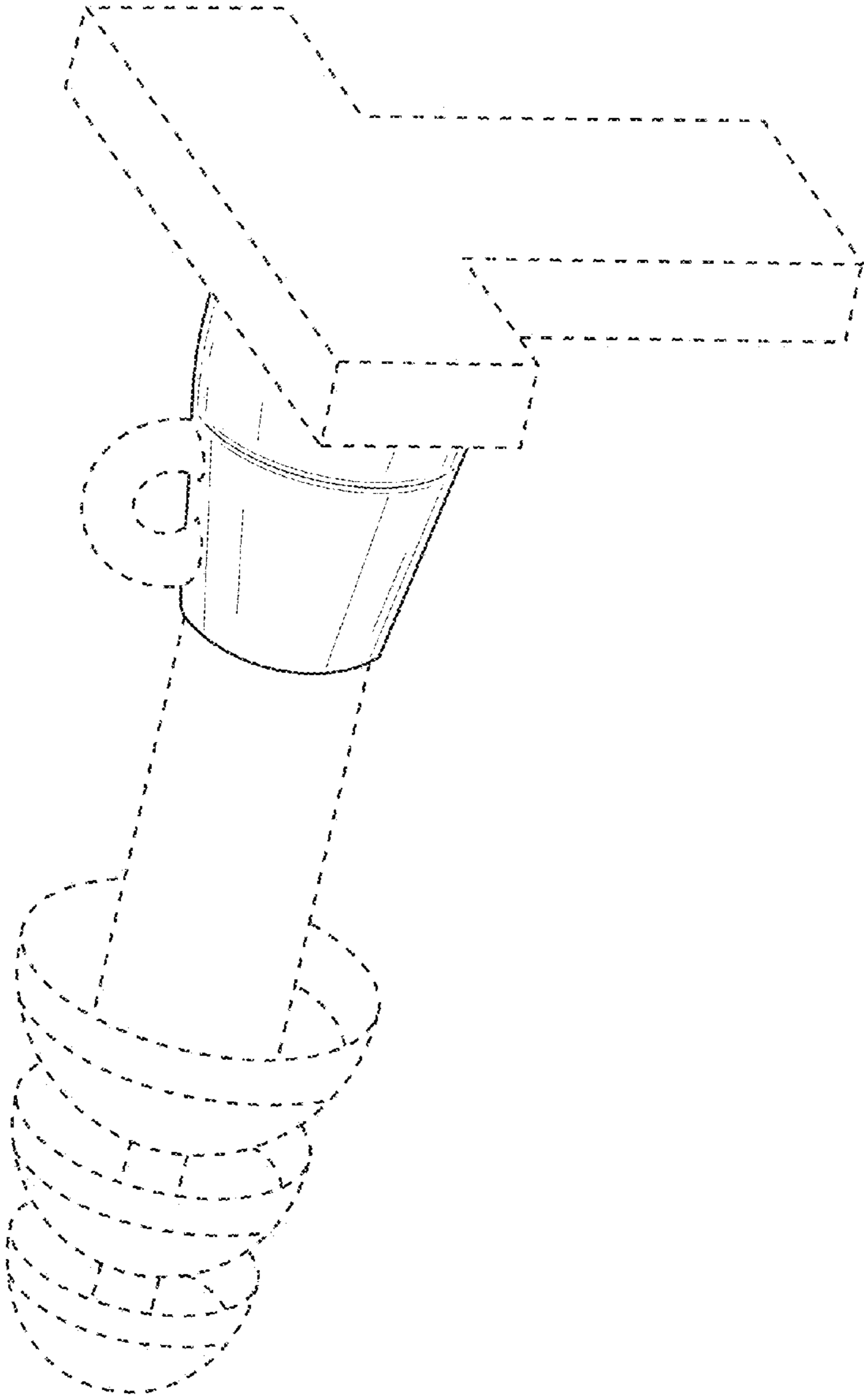


FIG. 1

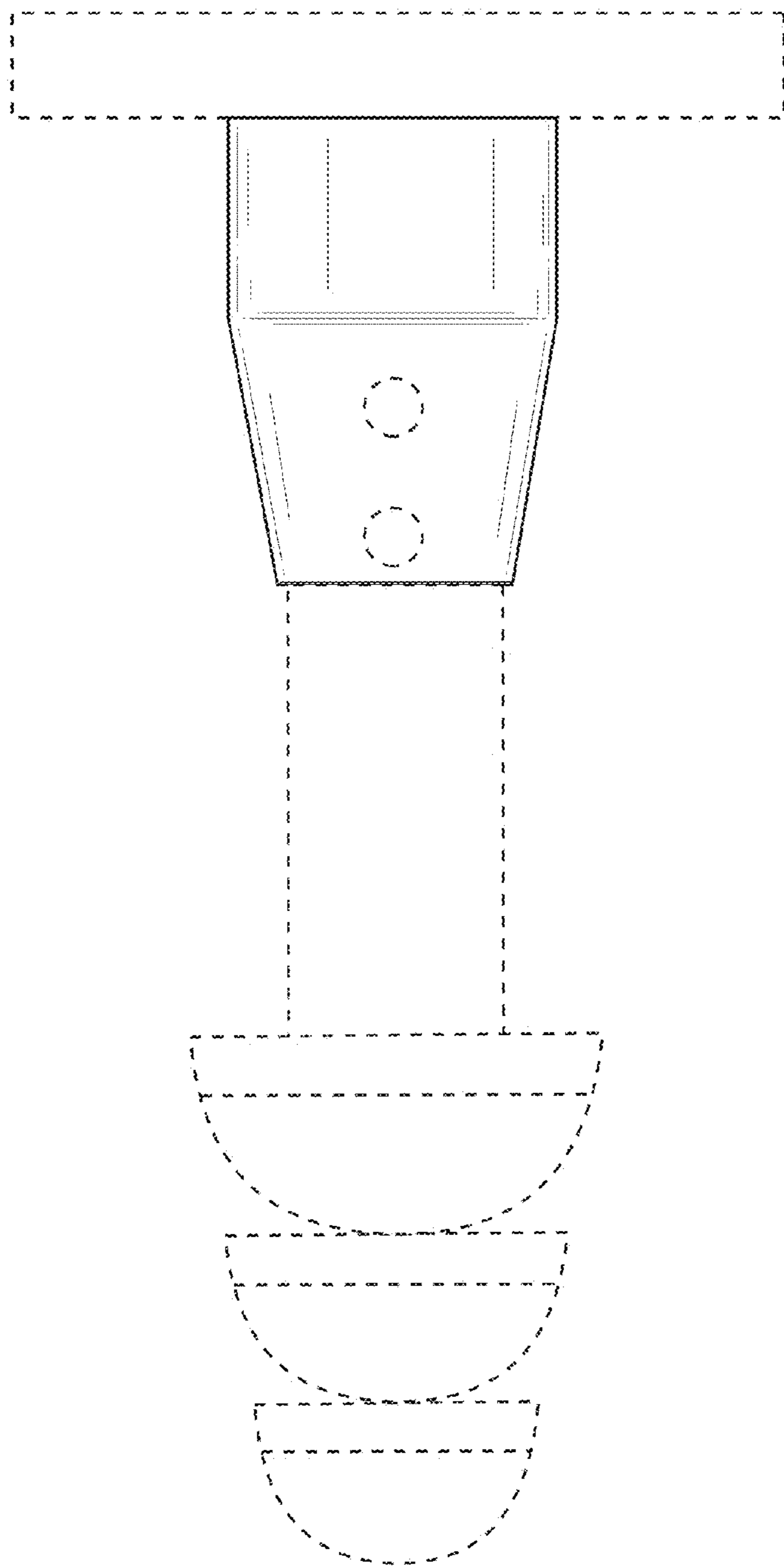


FIG. 2

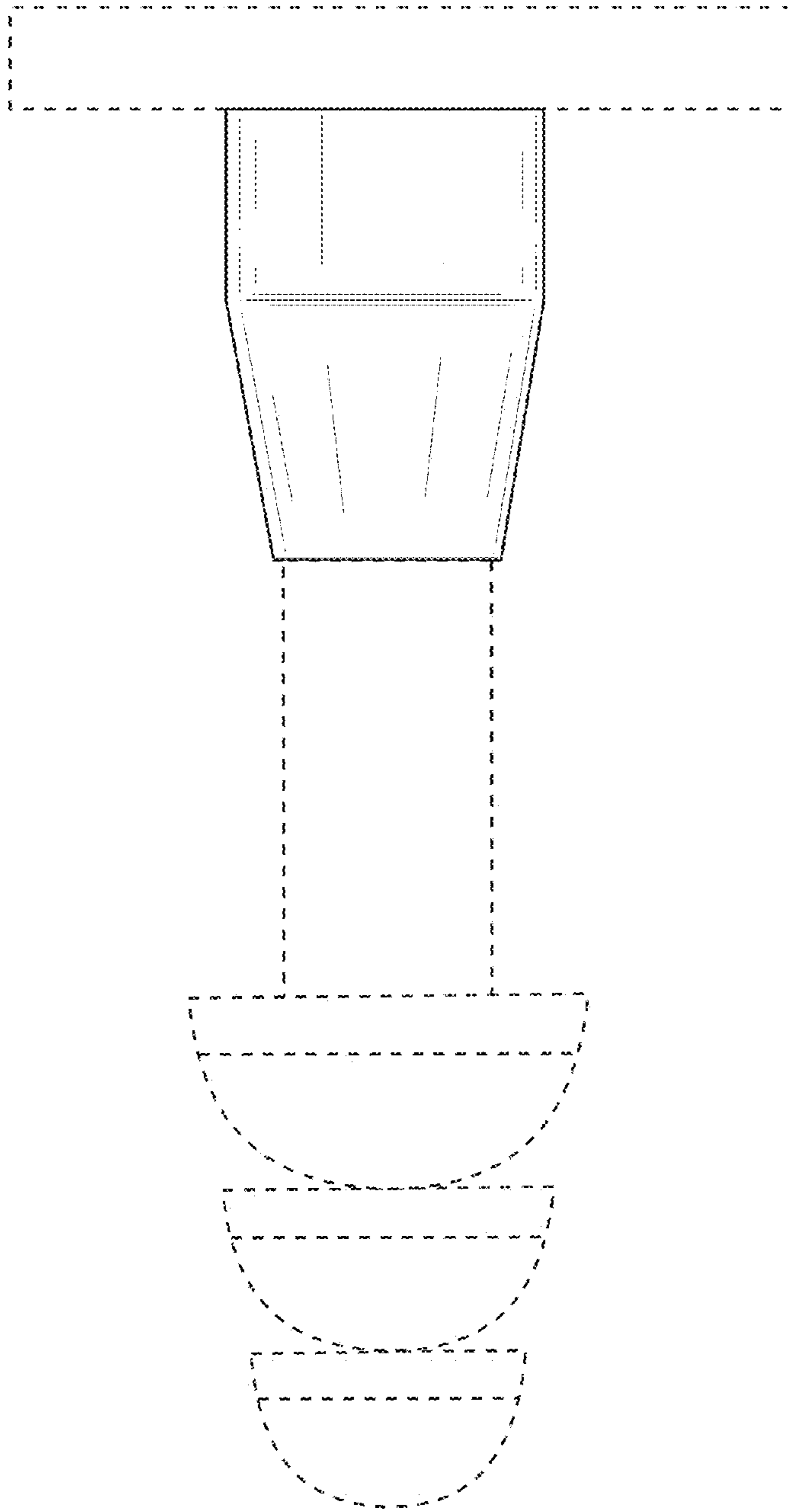


FIG. 3

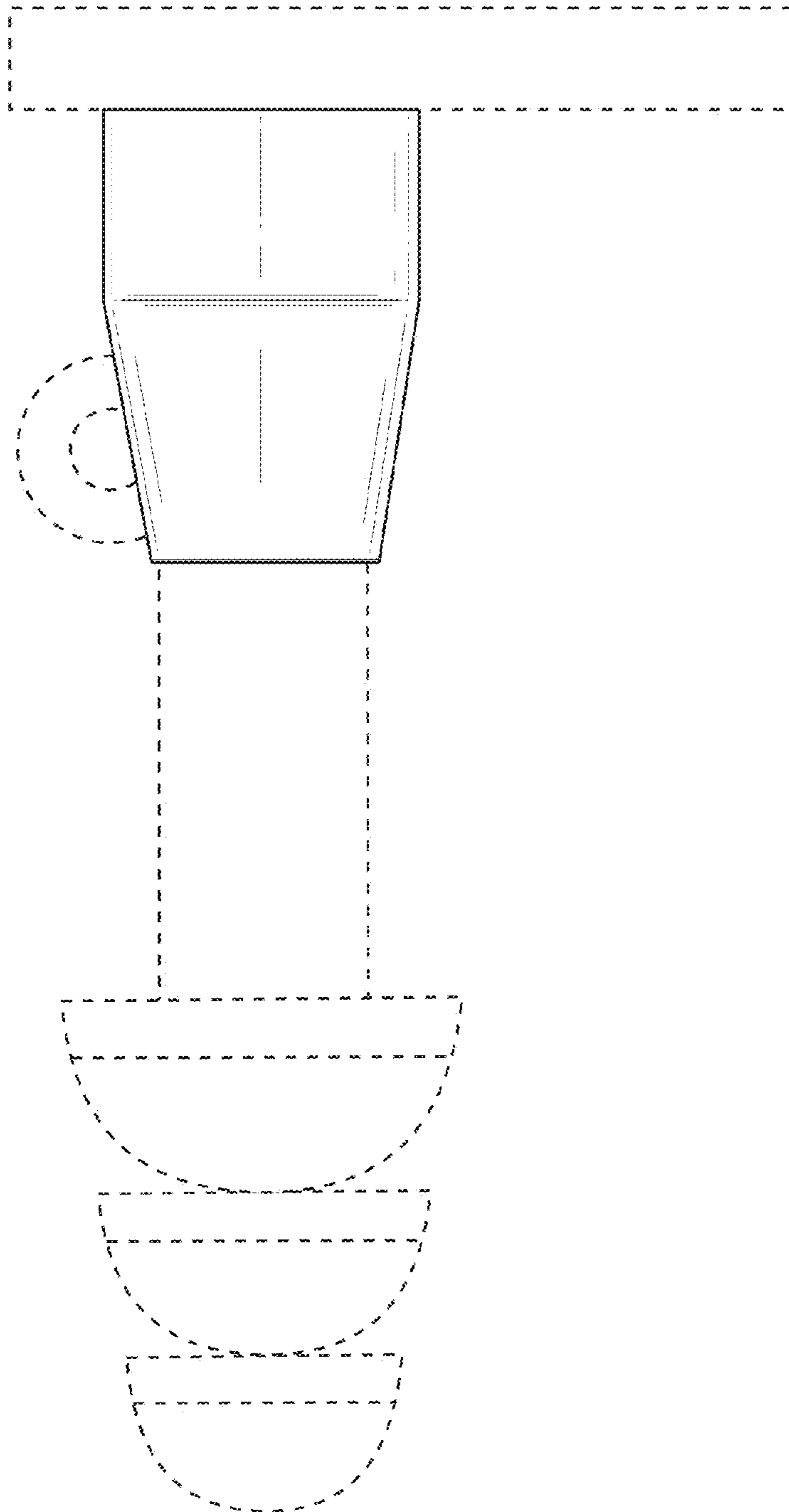


FIG. 4

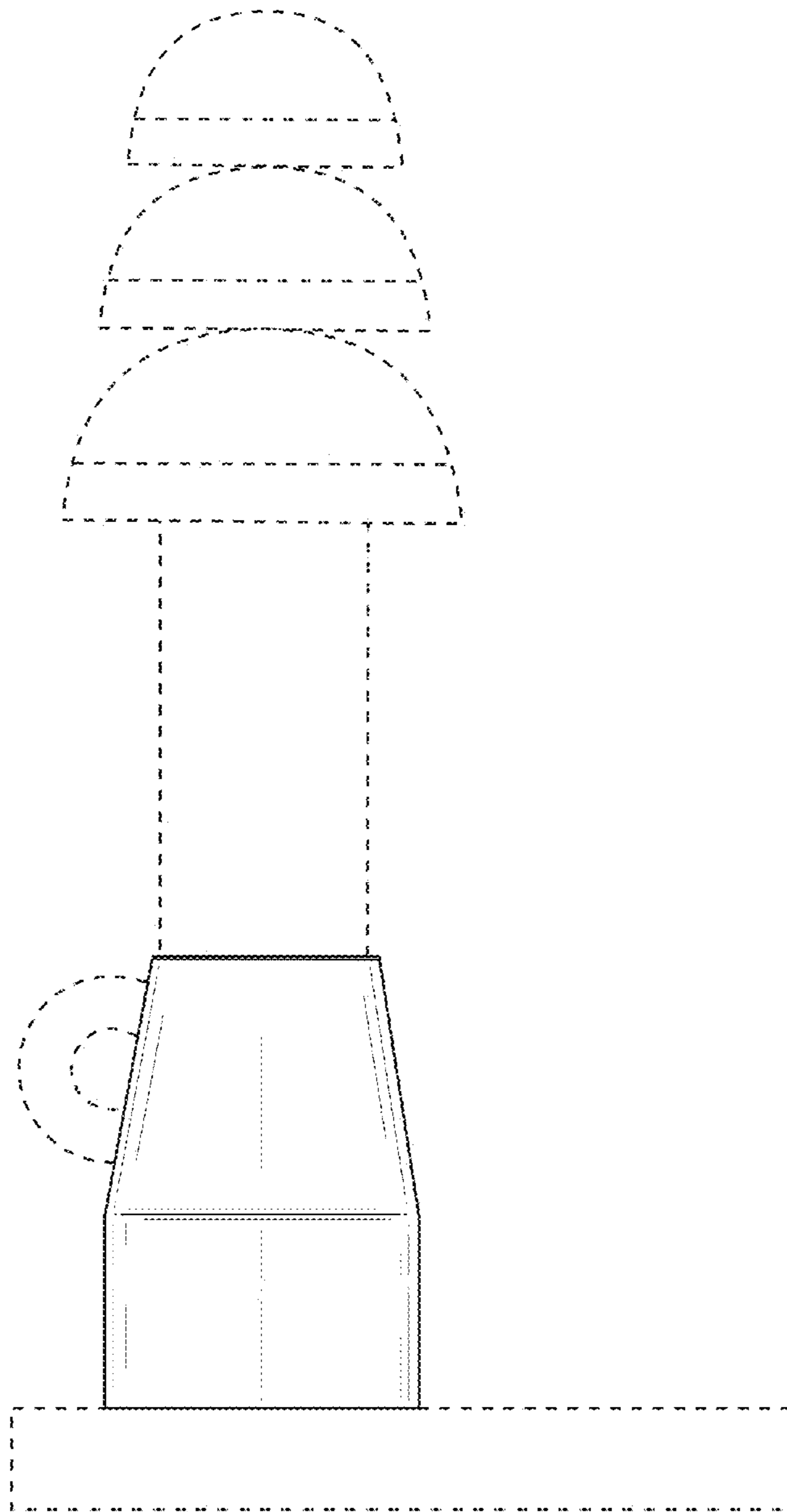


FIG. 5

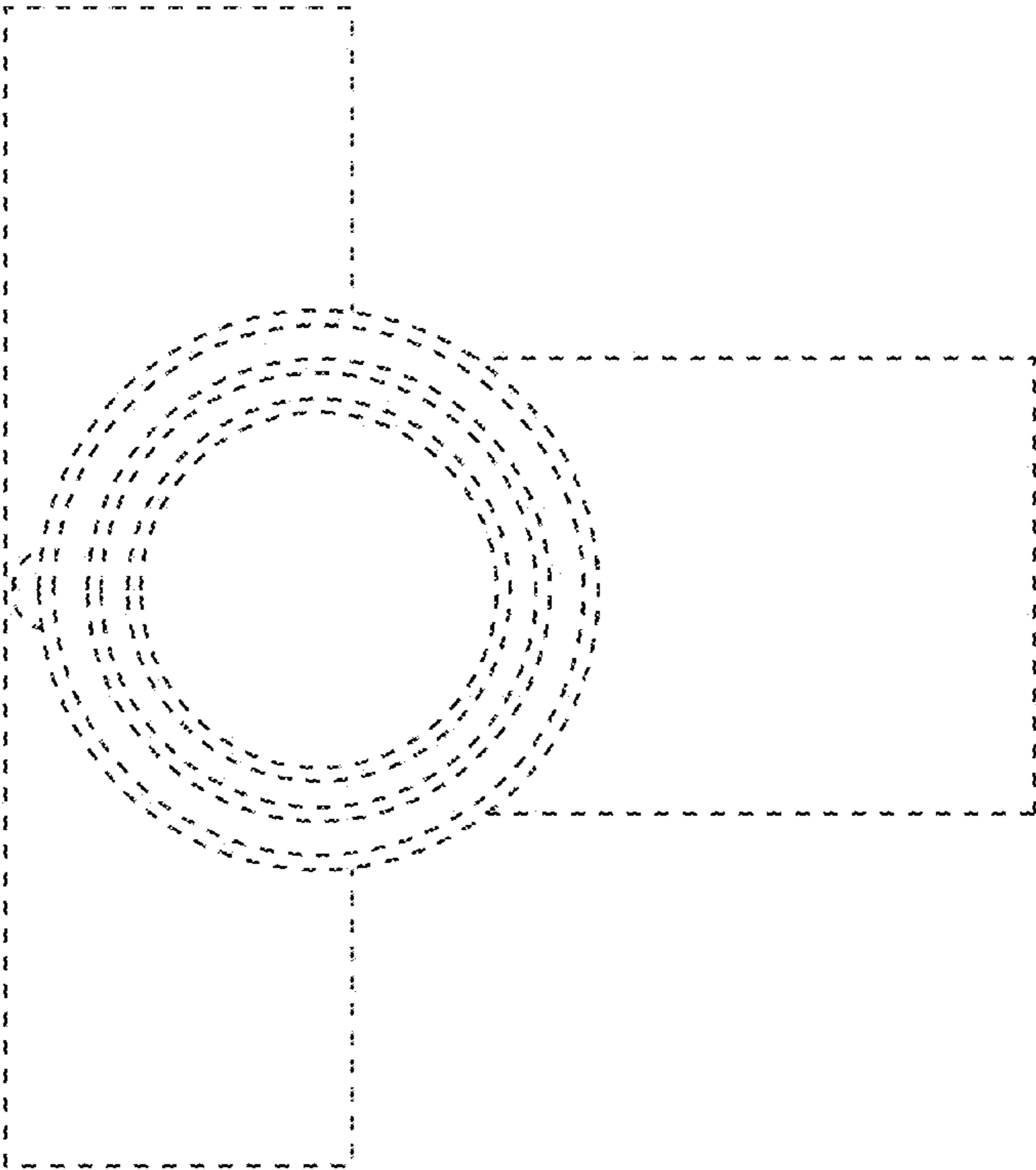


FIG. 6

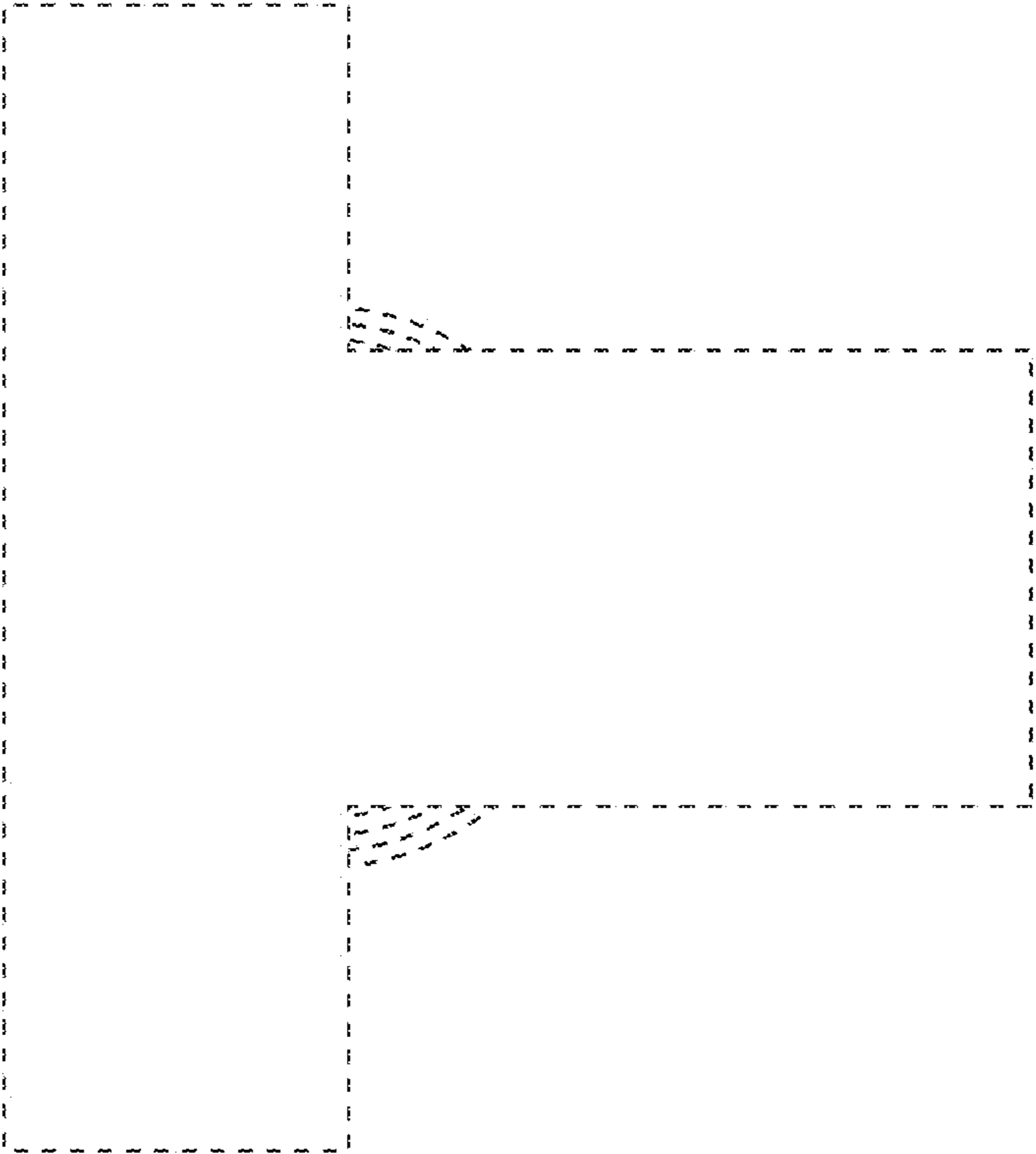


FIG. 7

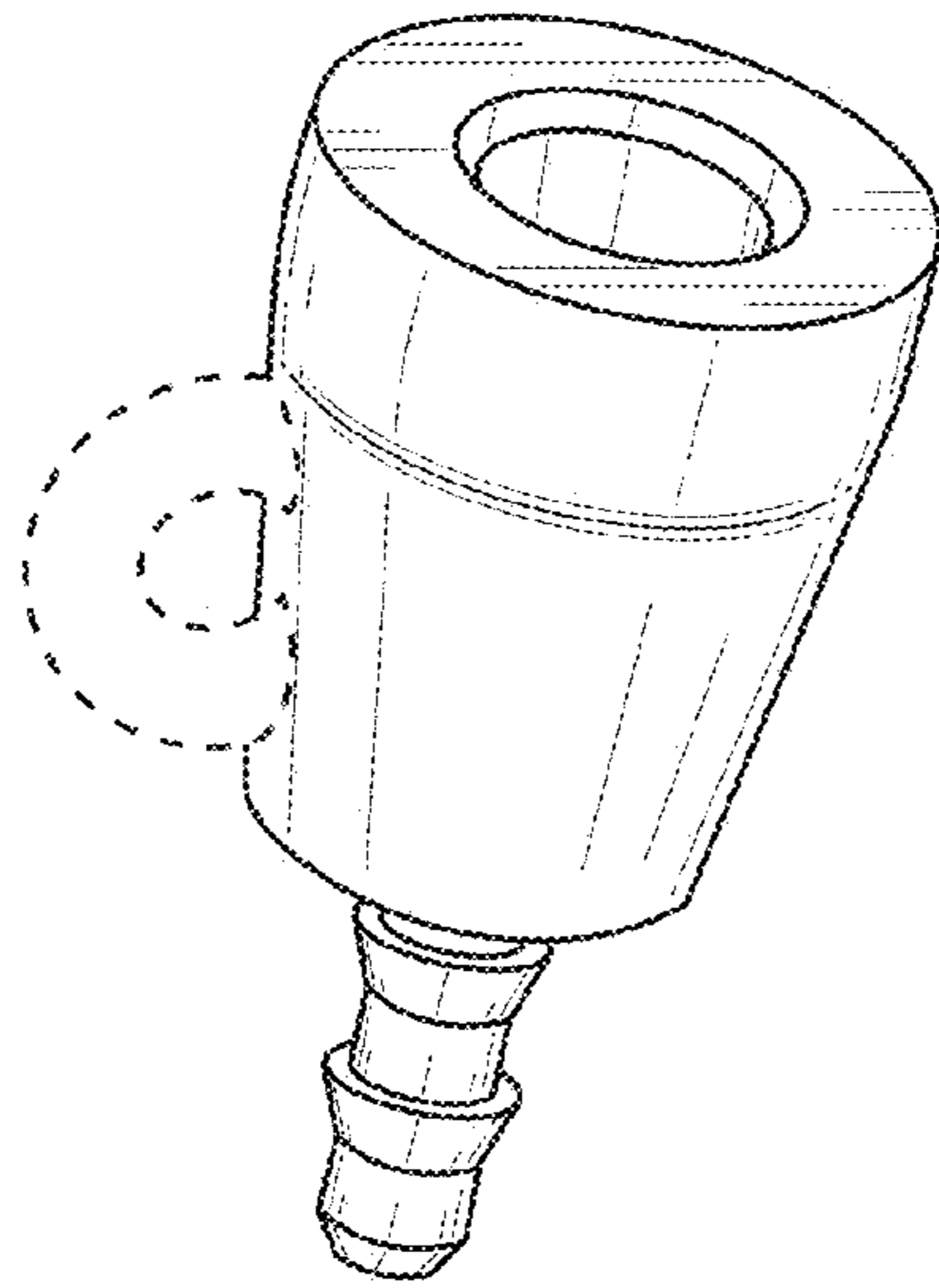


FIG. 8

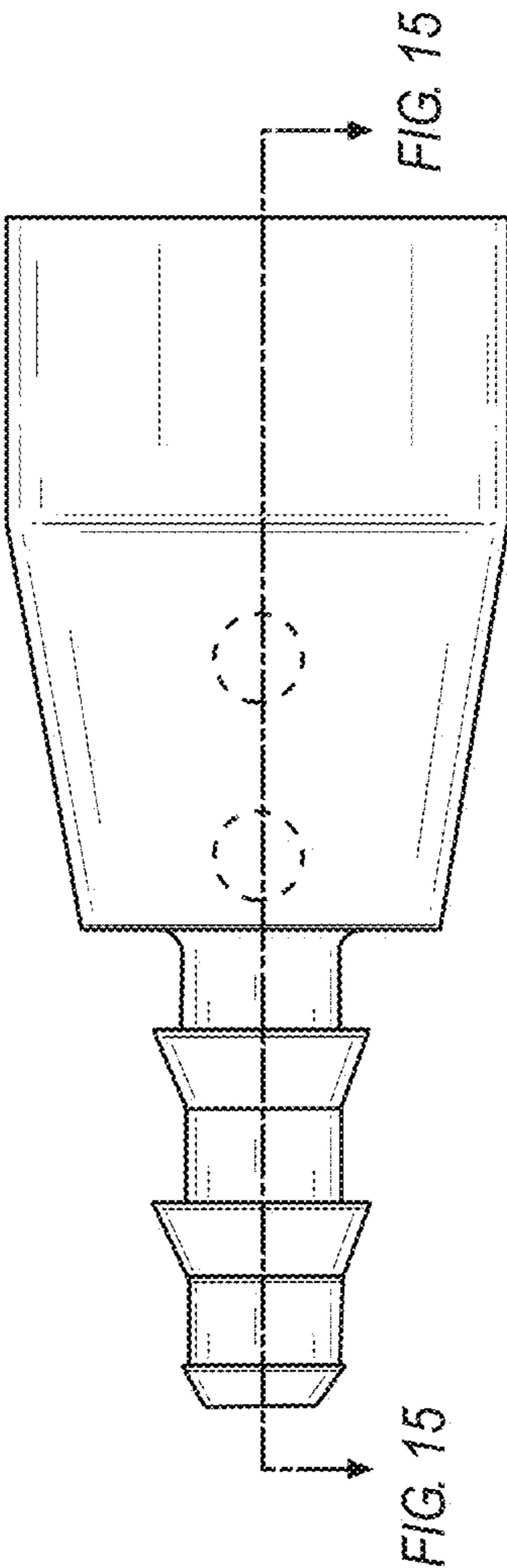


FIG. 9

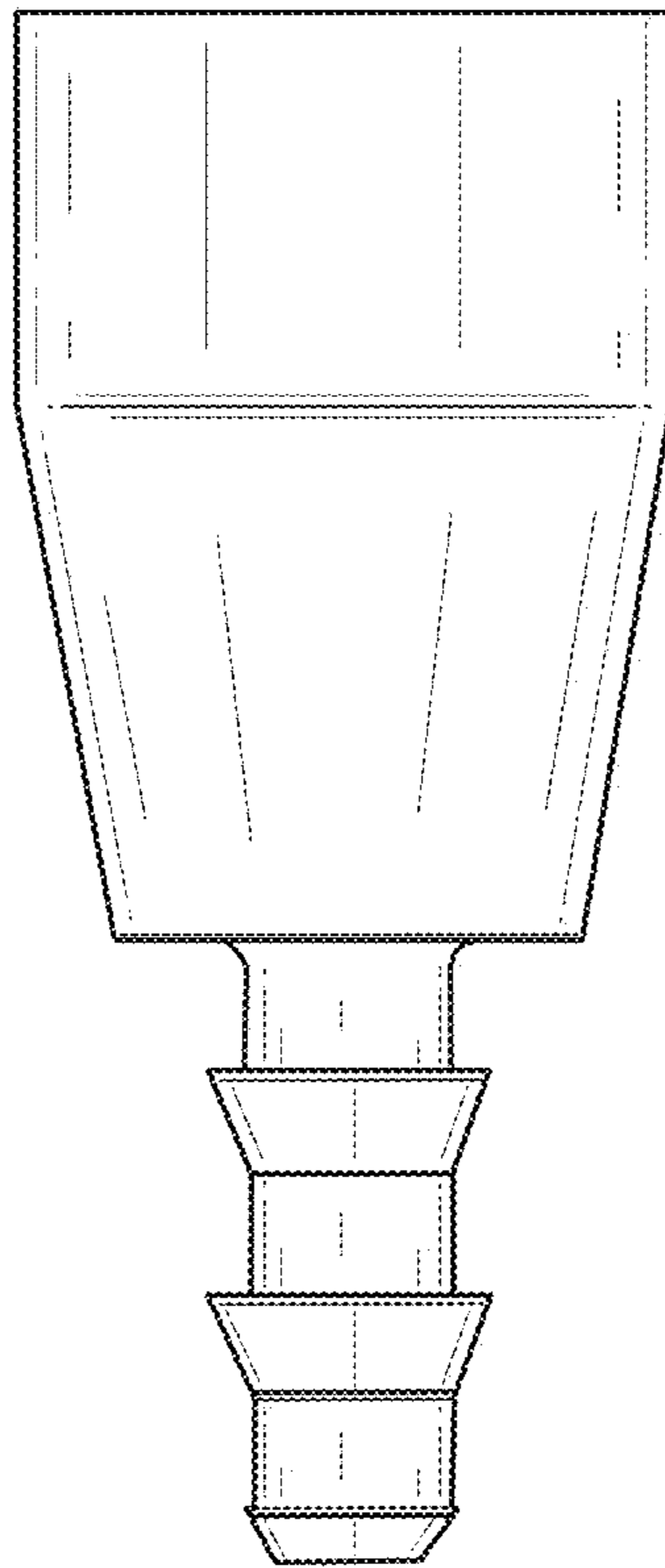


FIG. 10

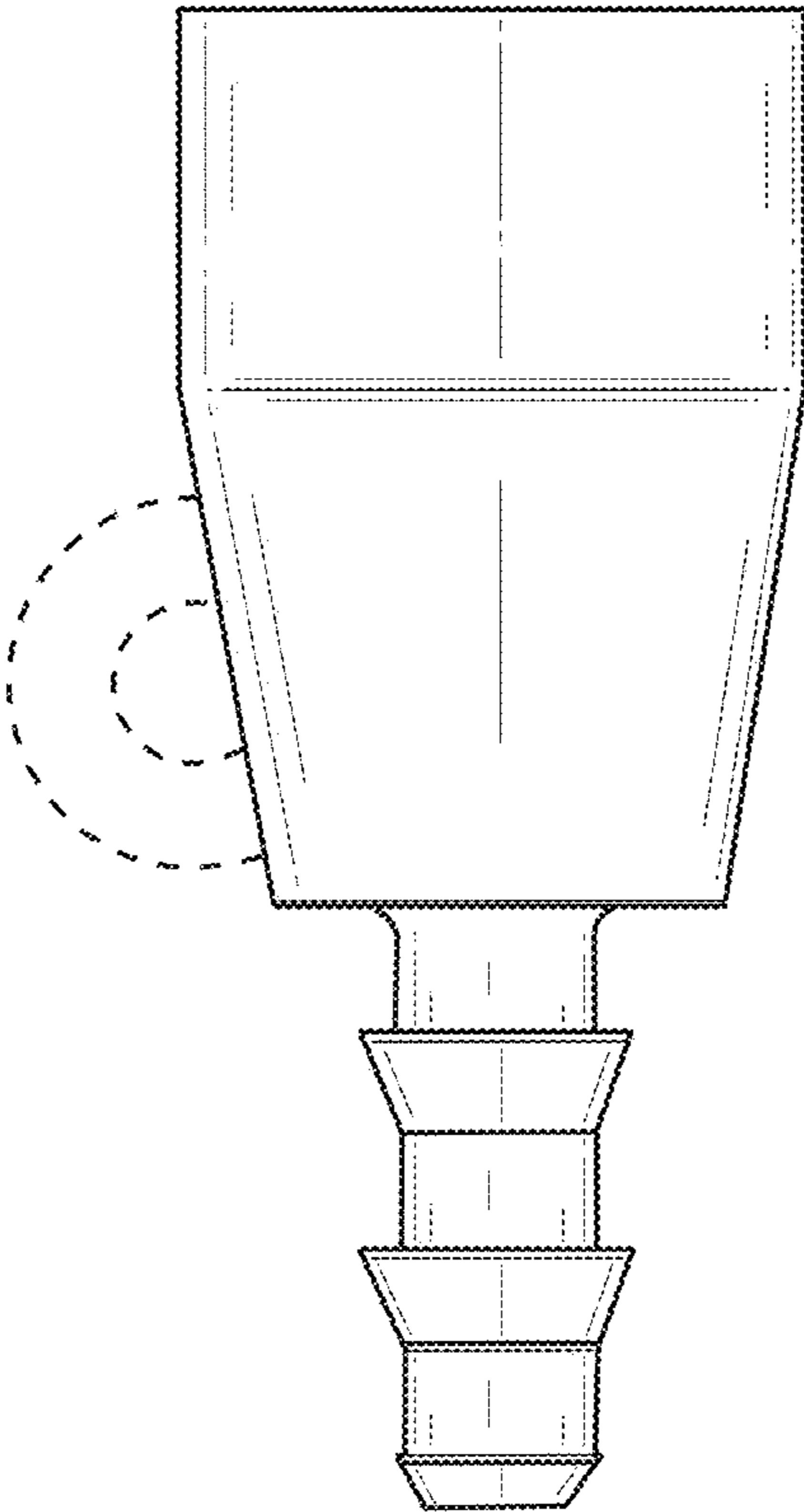


FIG. 11

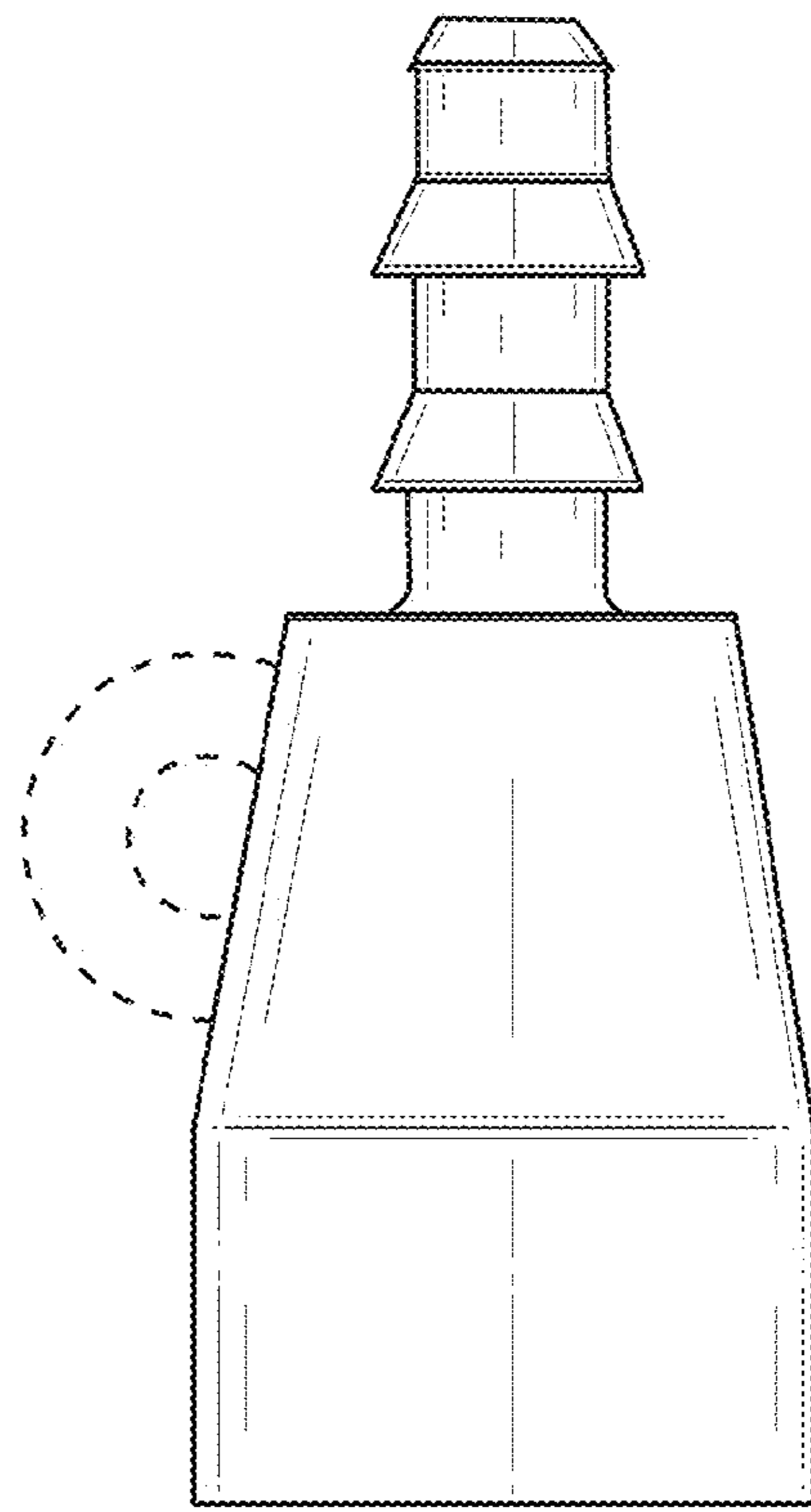


FIG. 12

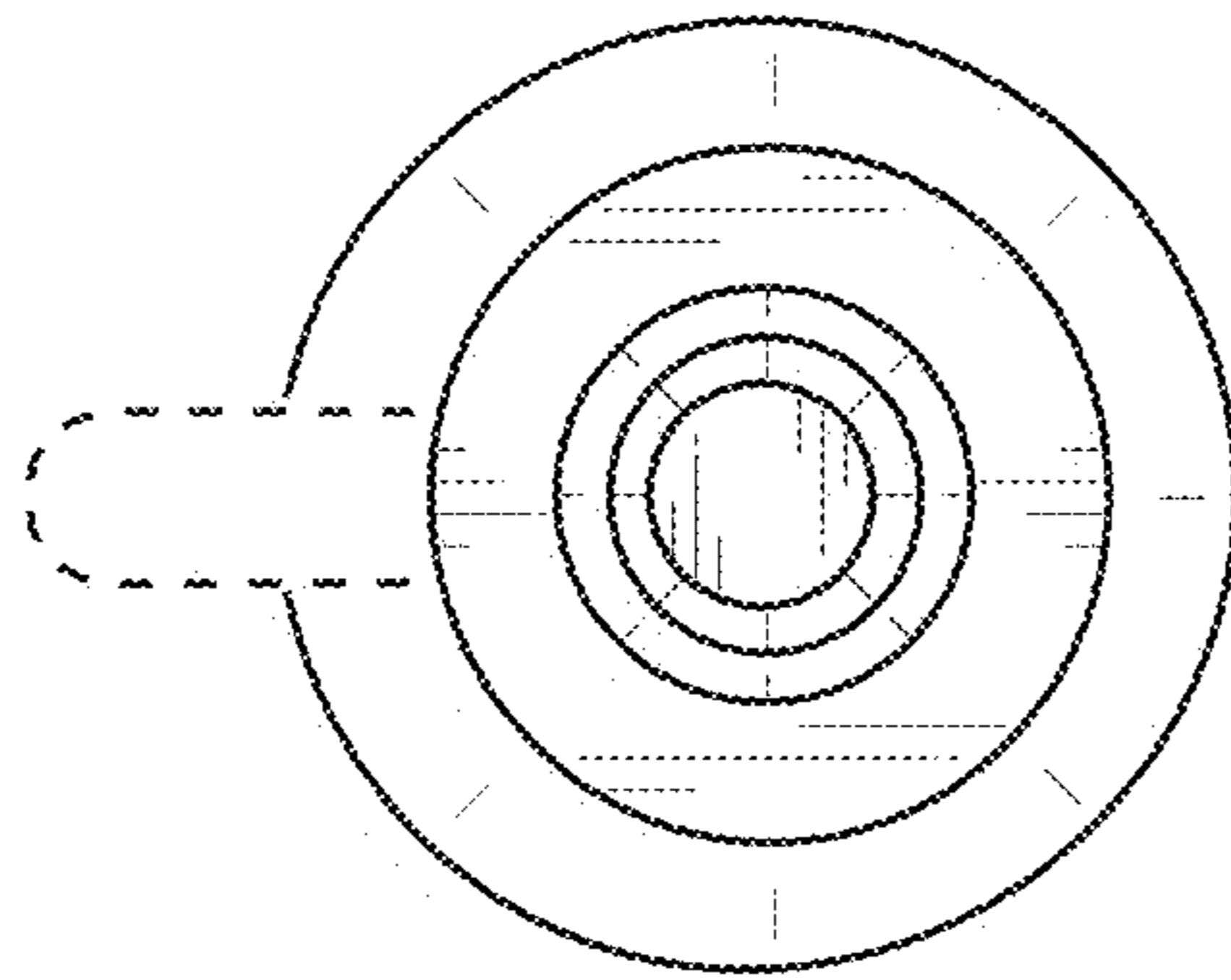


FIG. 13

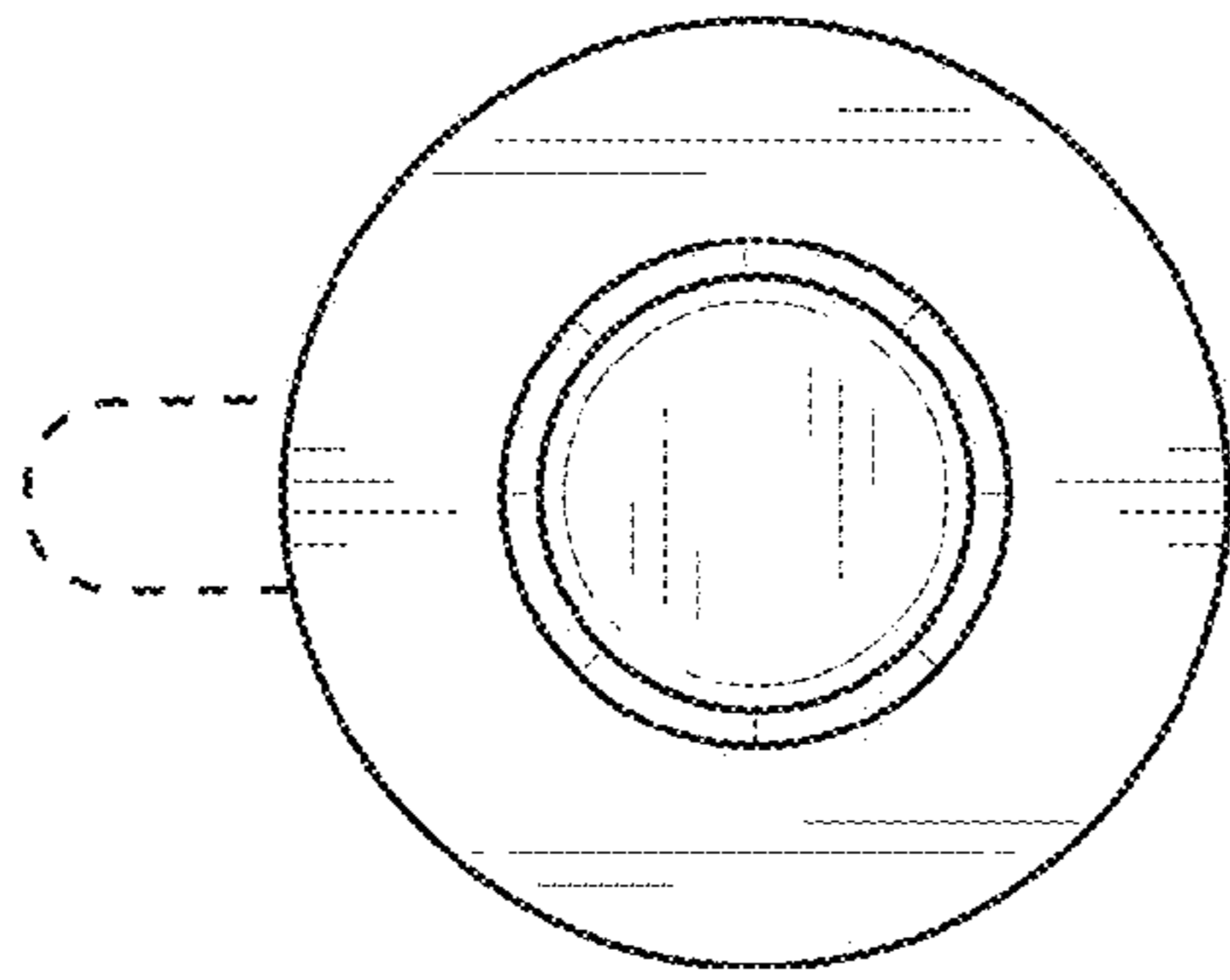


FIG. 14

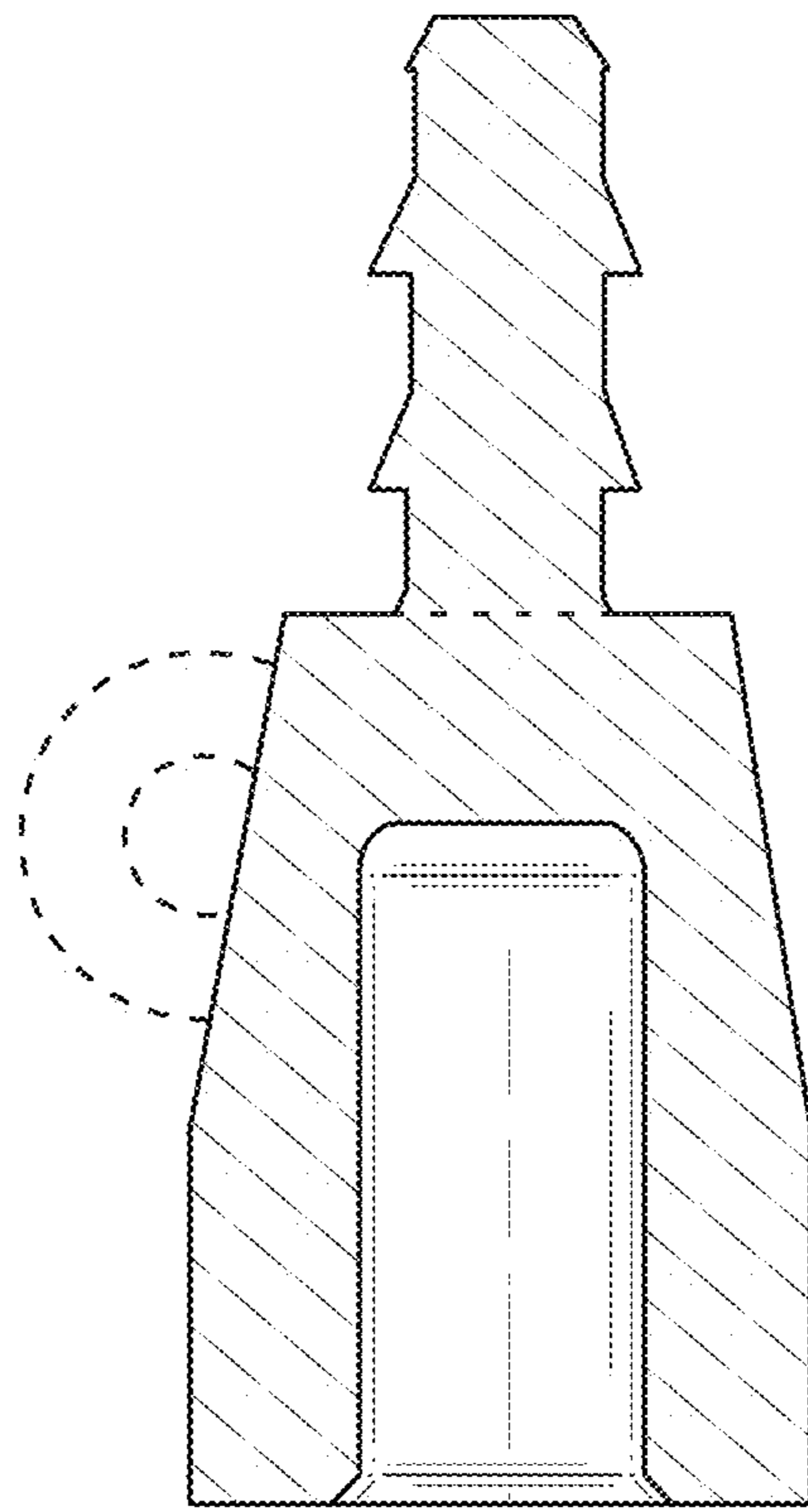


FIG. 15

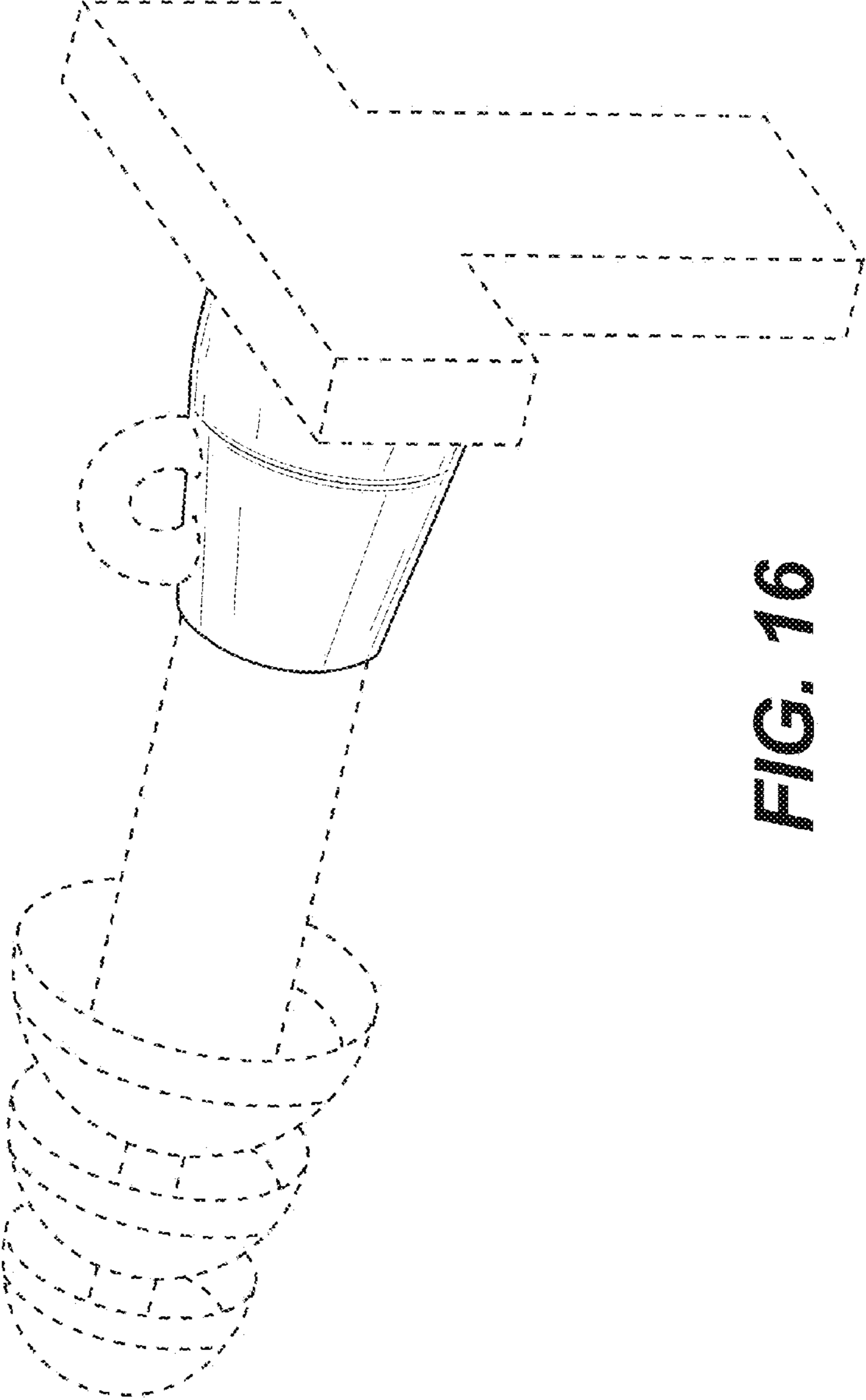


FIG. 16

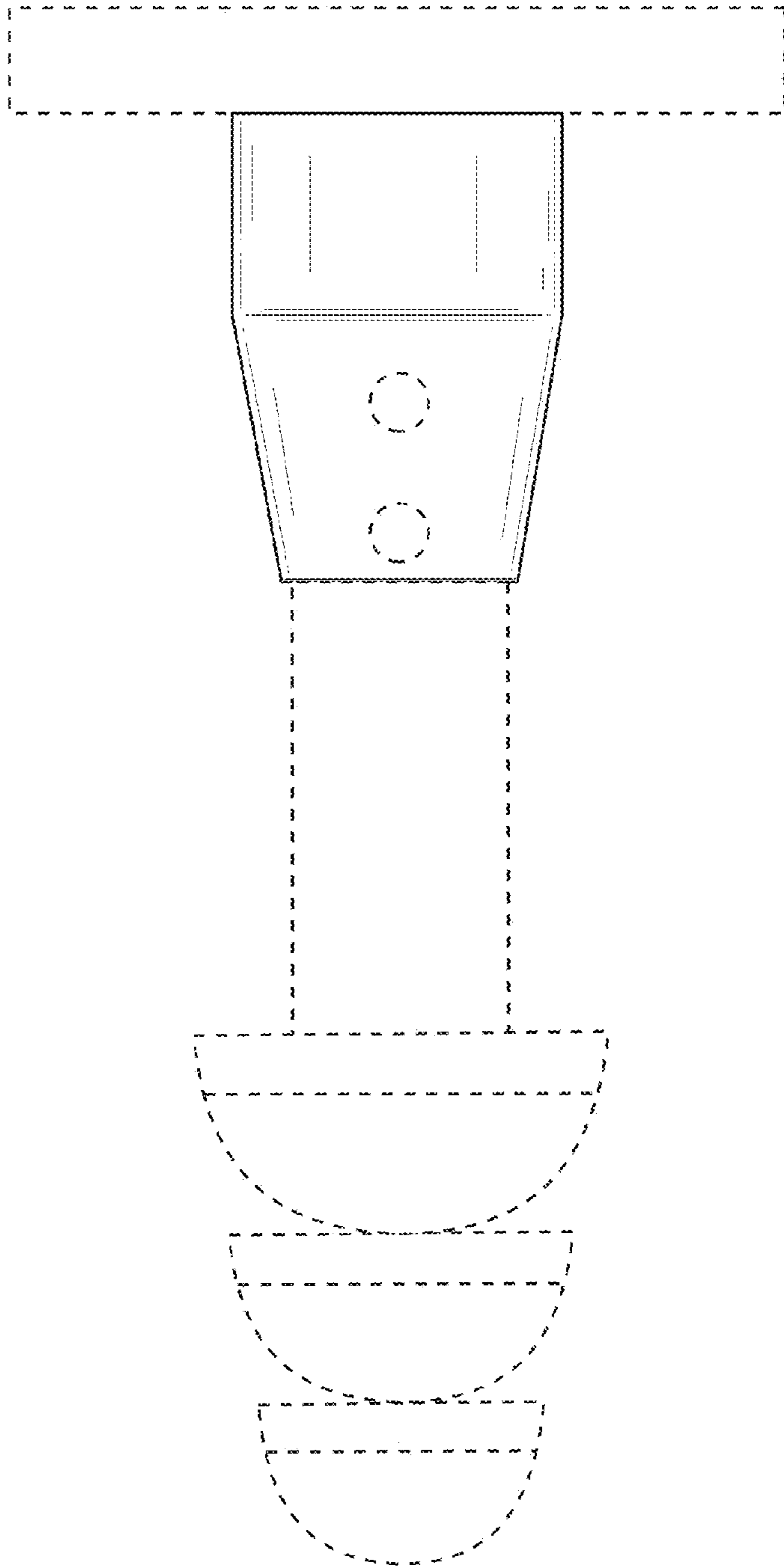


FIG. 17

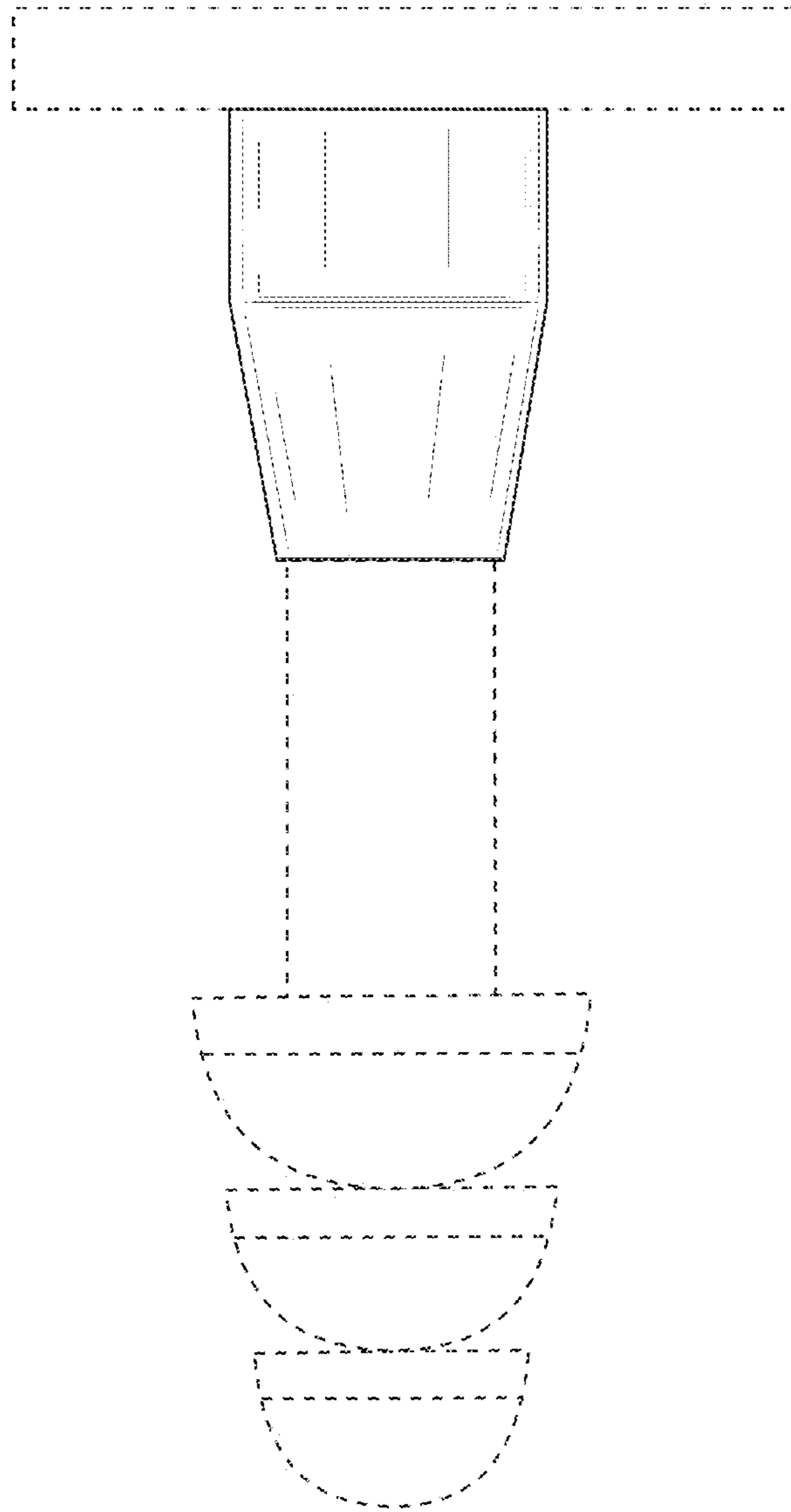


FIG. 18

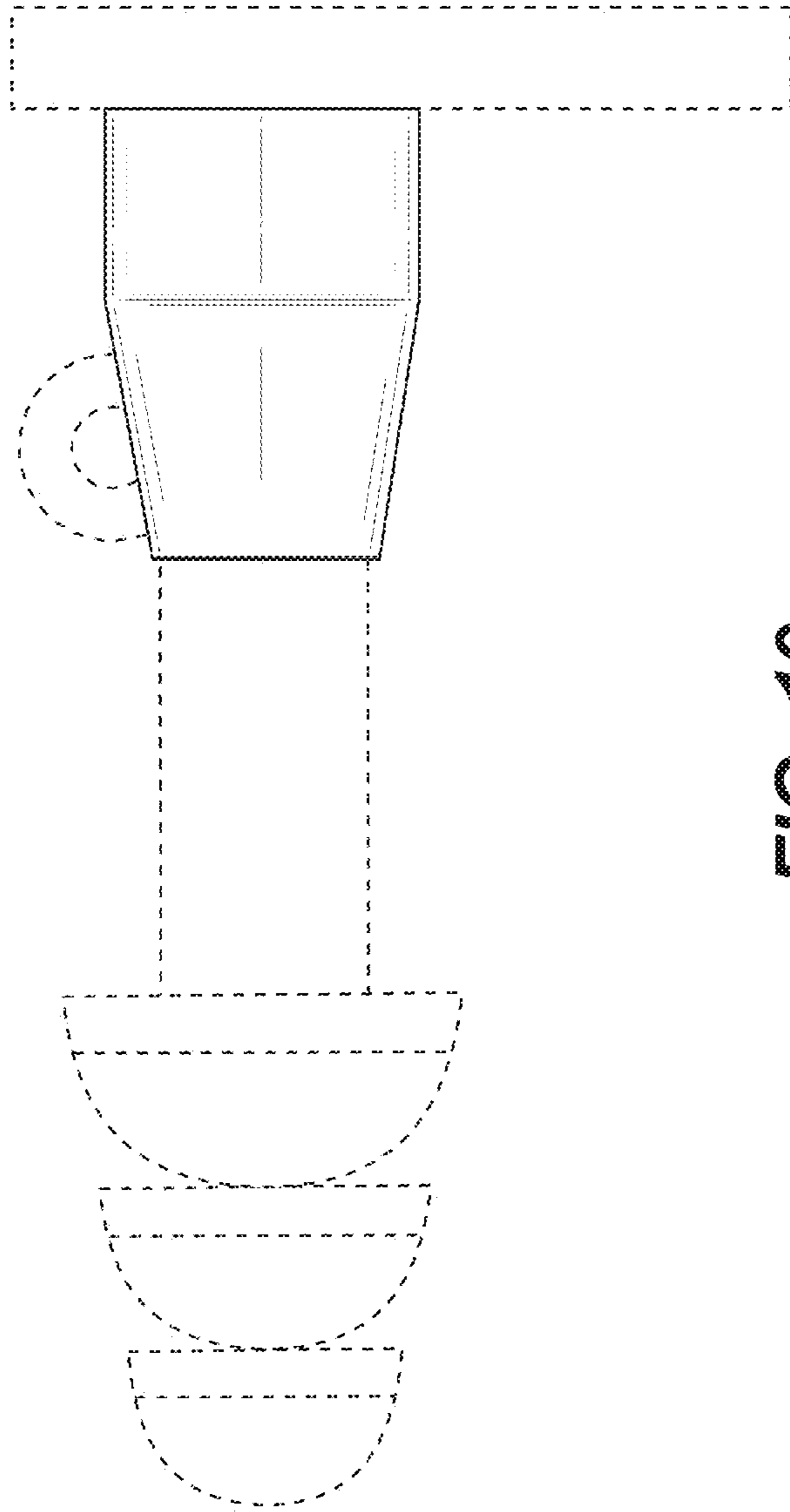


FIG. 19

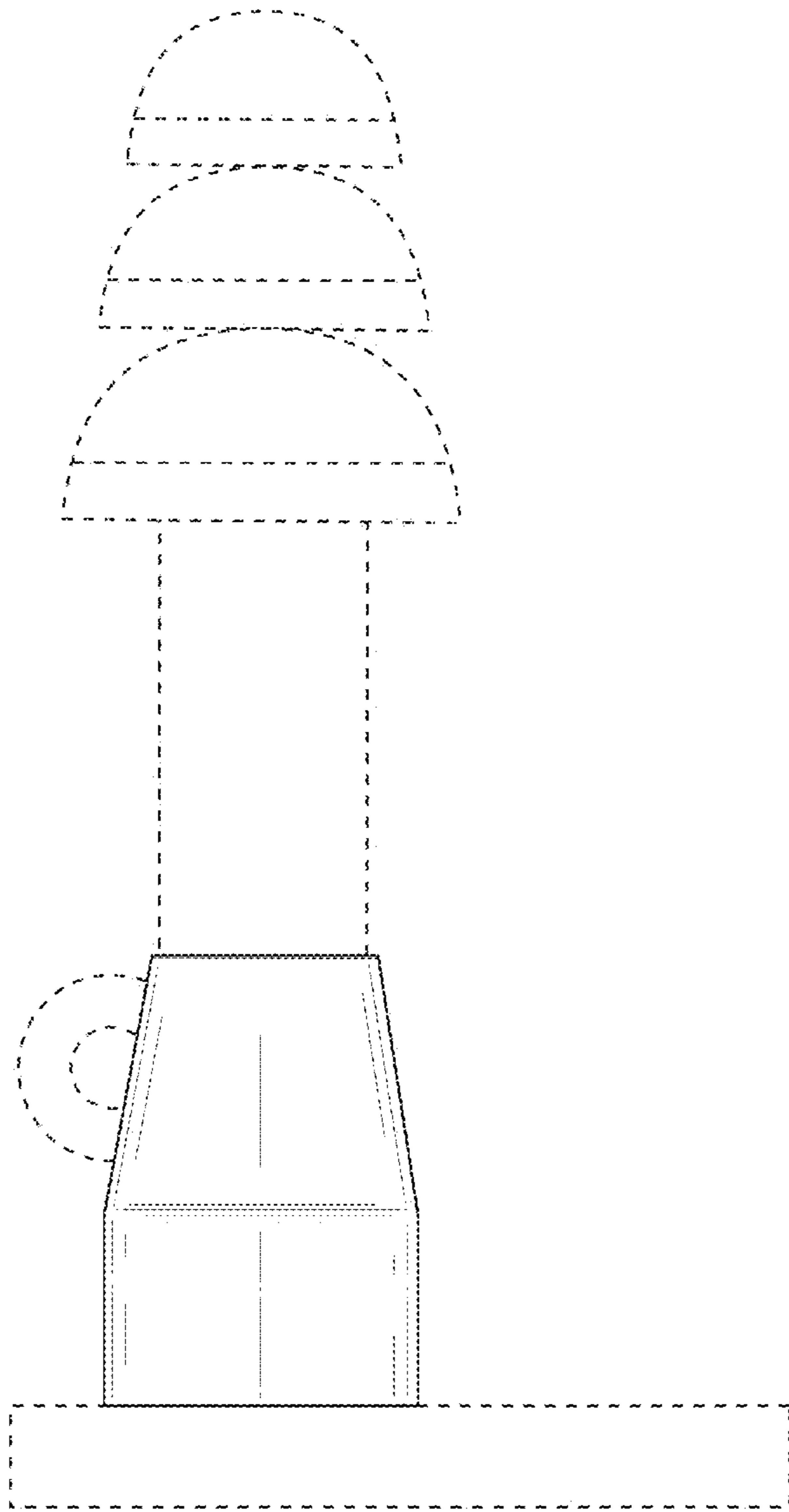


FIG. 20

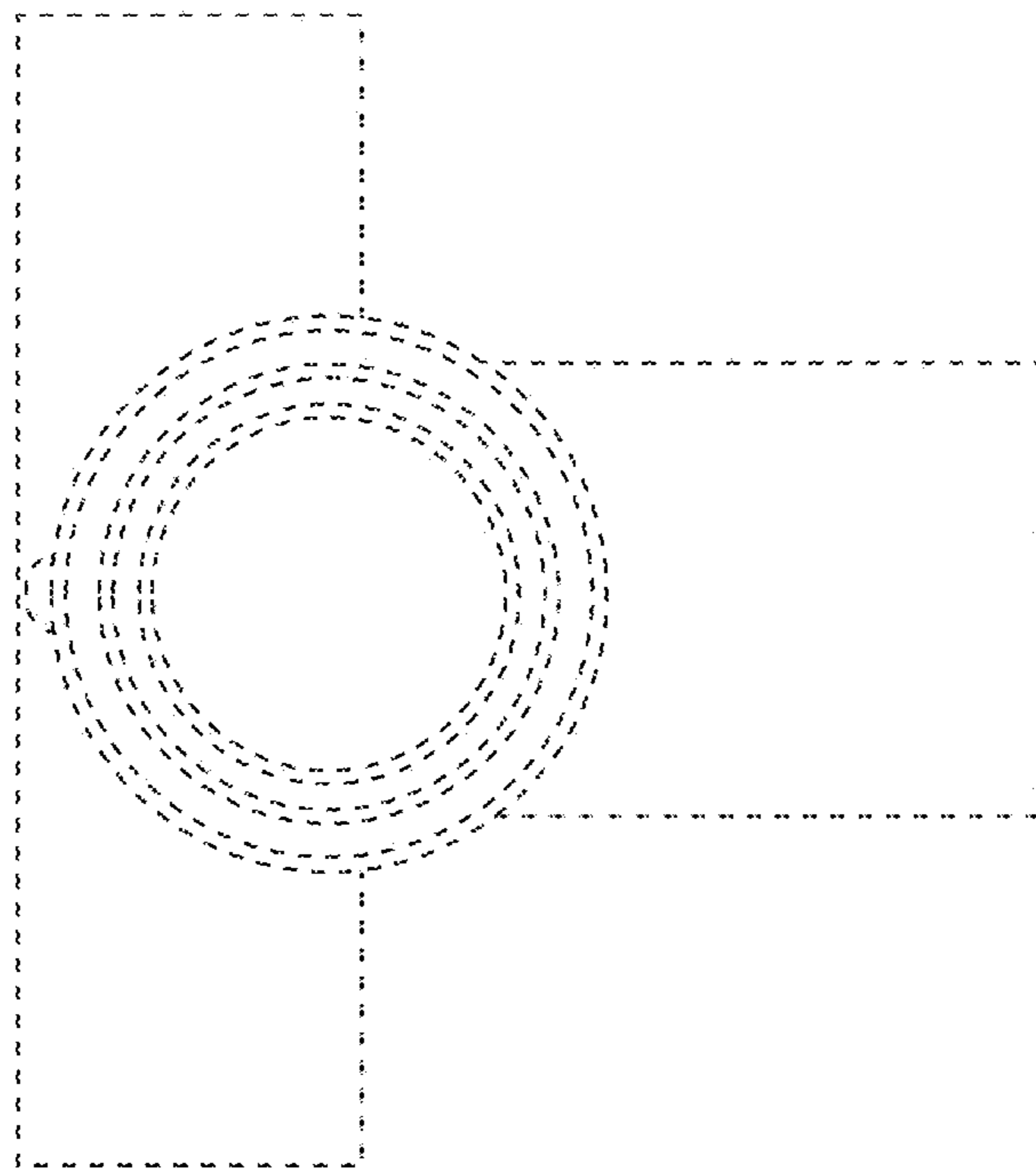


FIG. 21

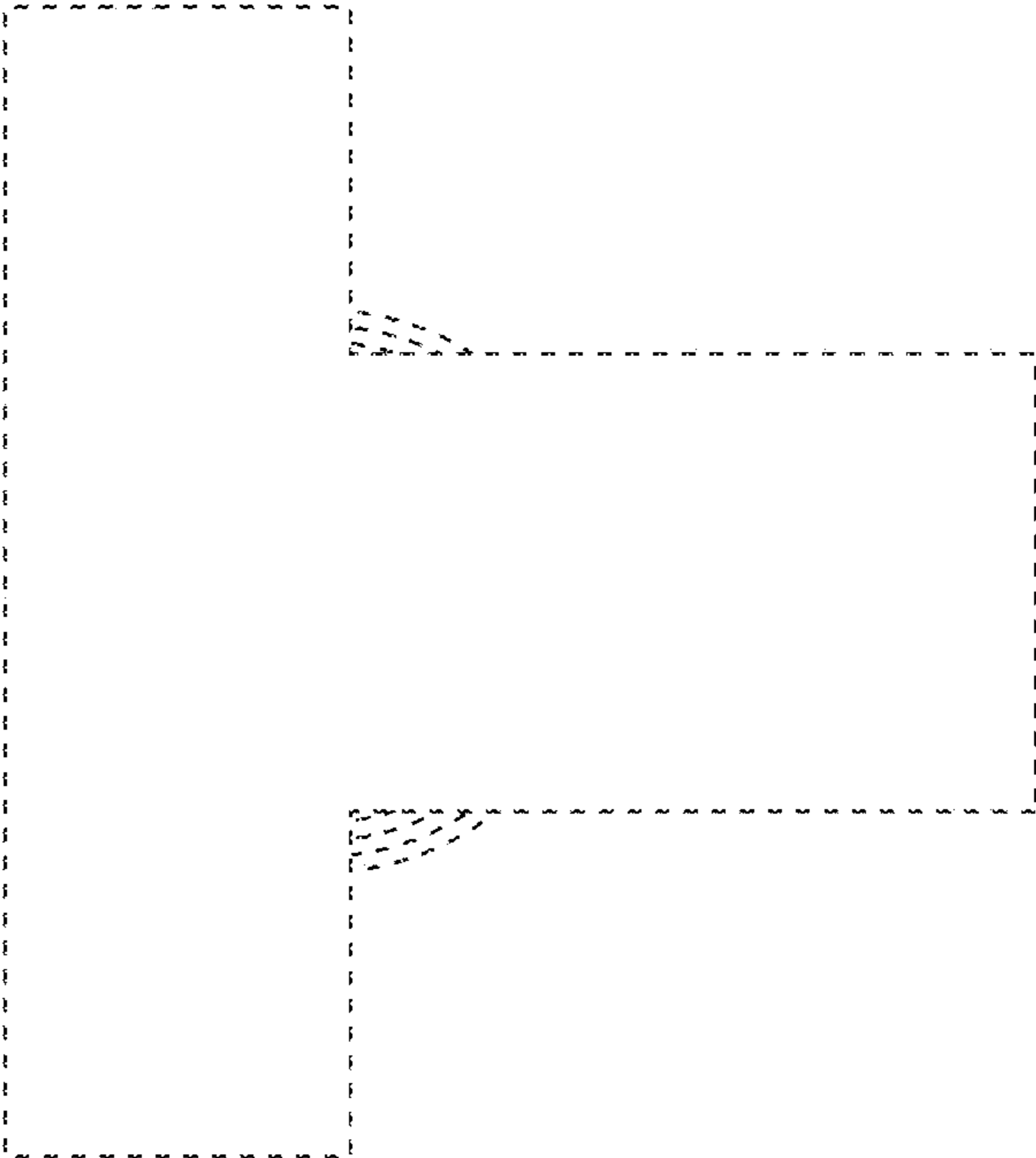


FIG. 22

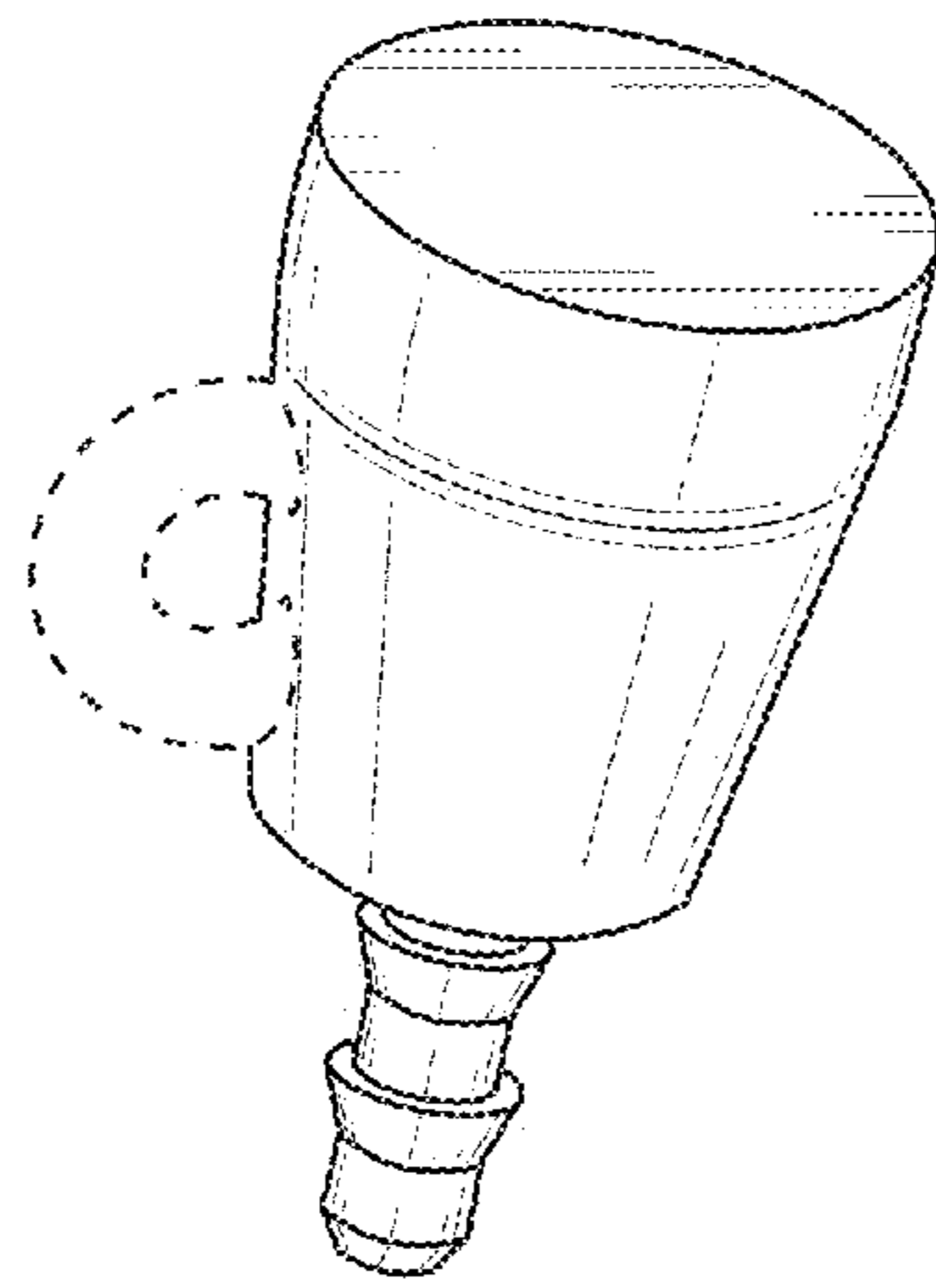


FIG. 23

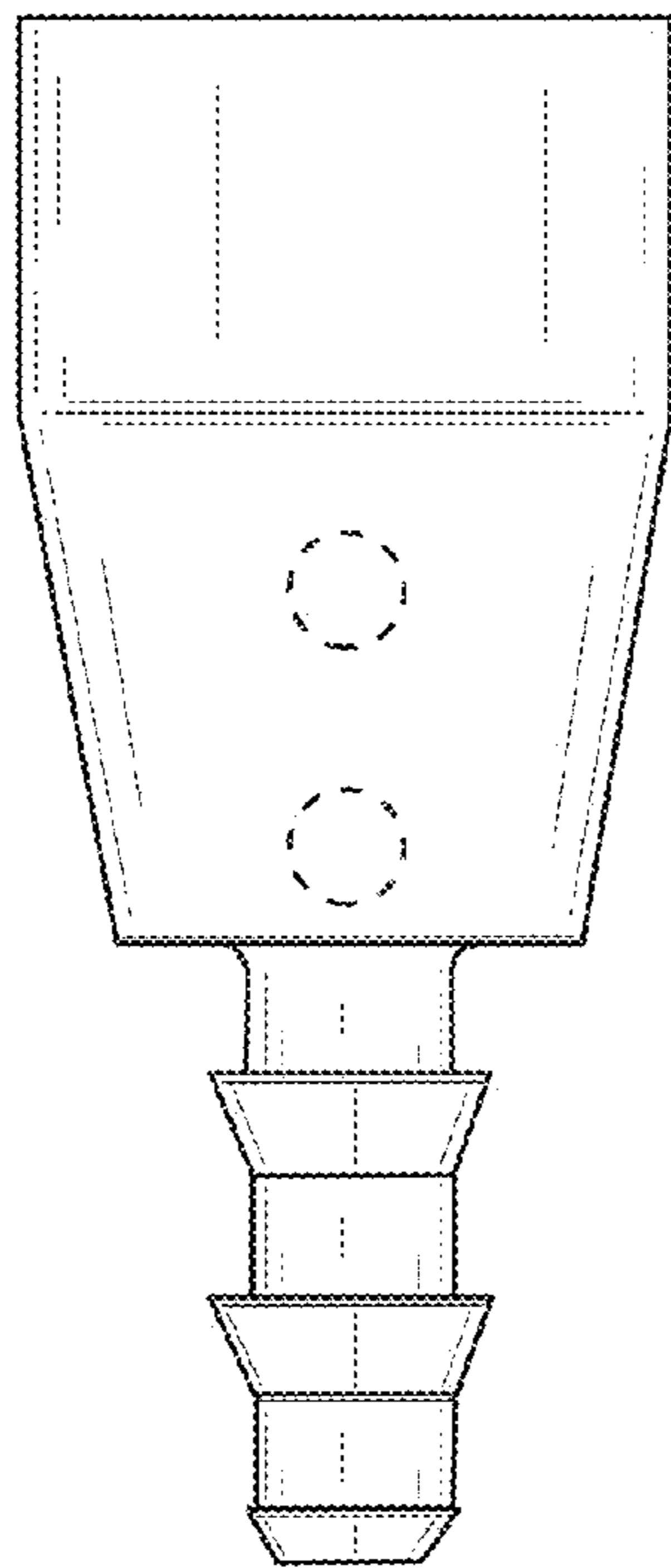


FIG. 24

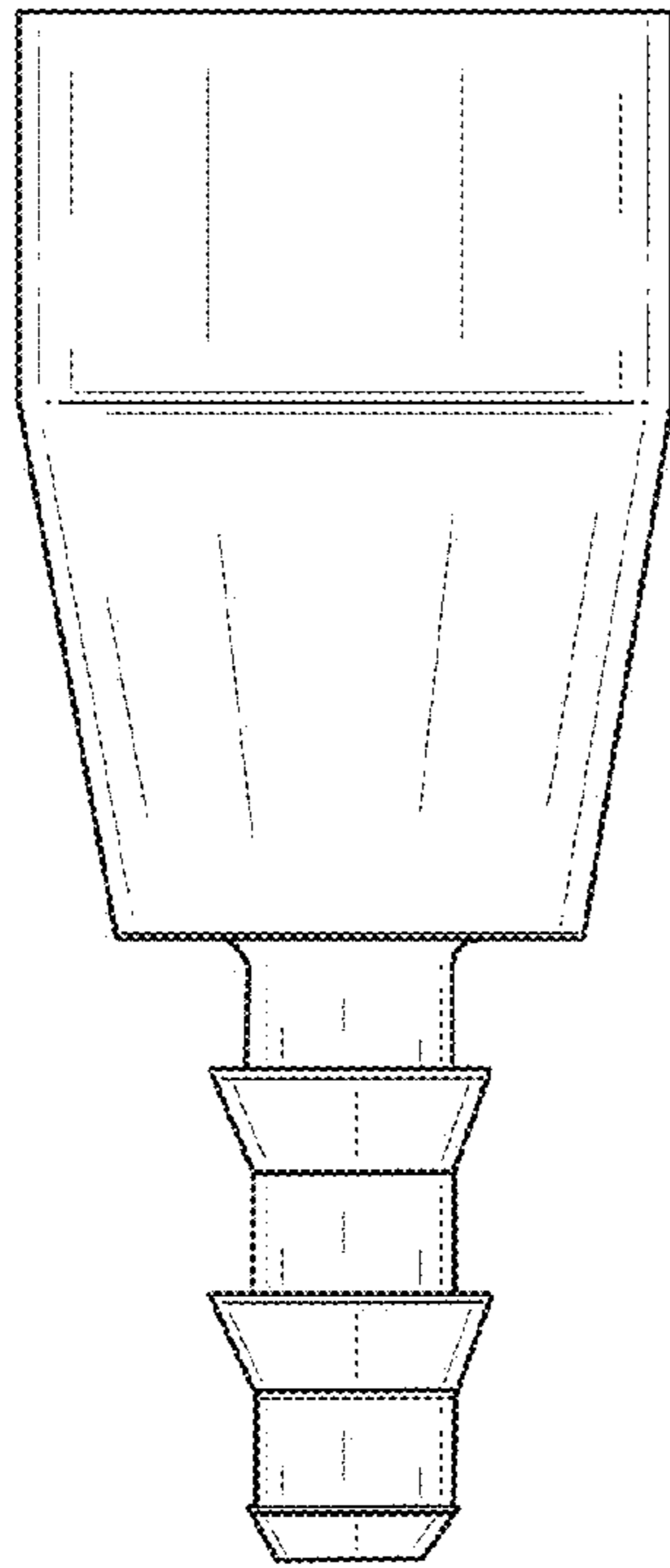


FIG. 25

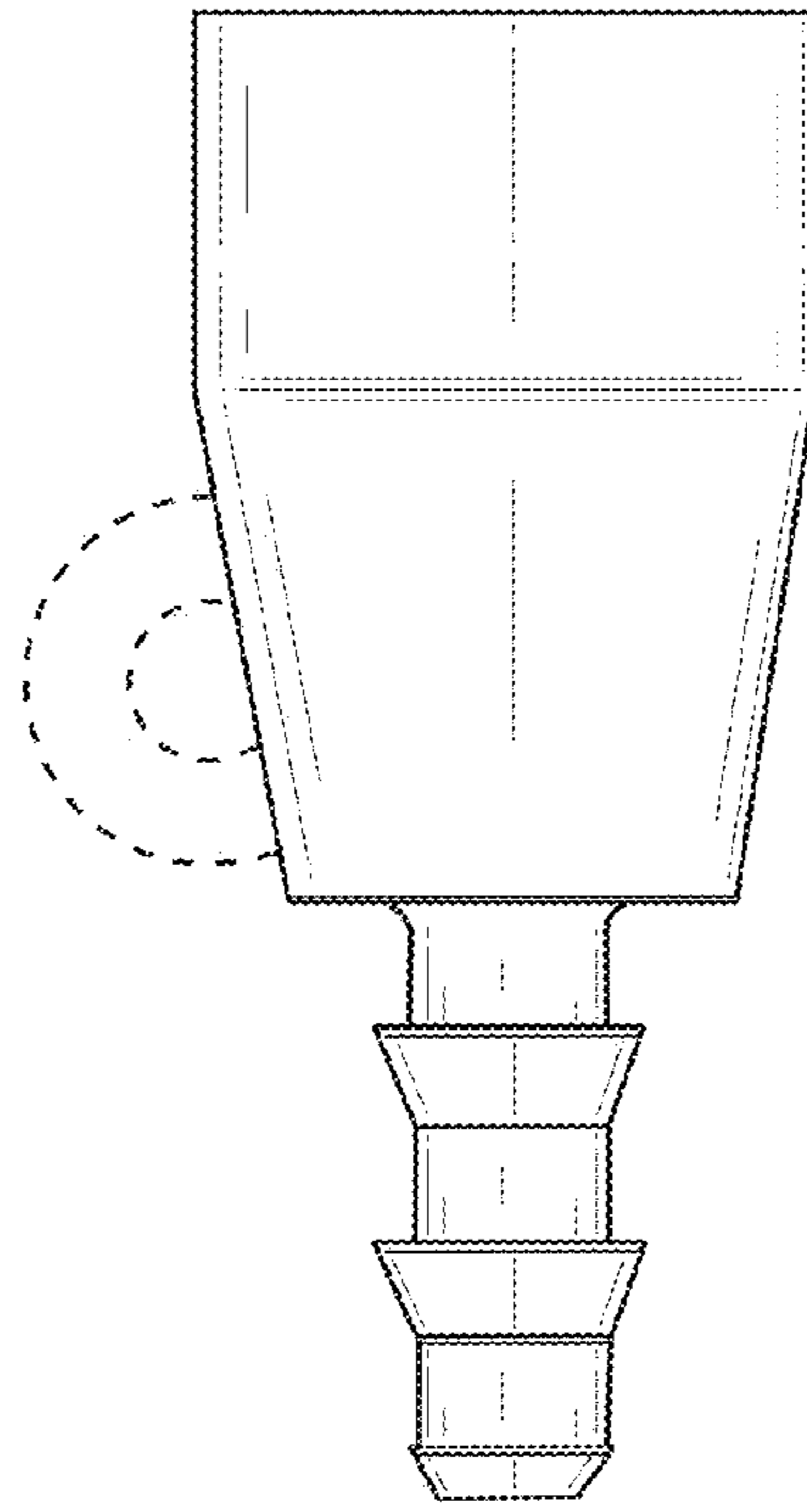


FIG. 26

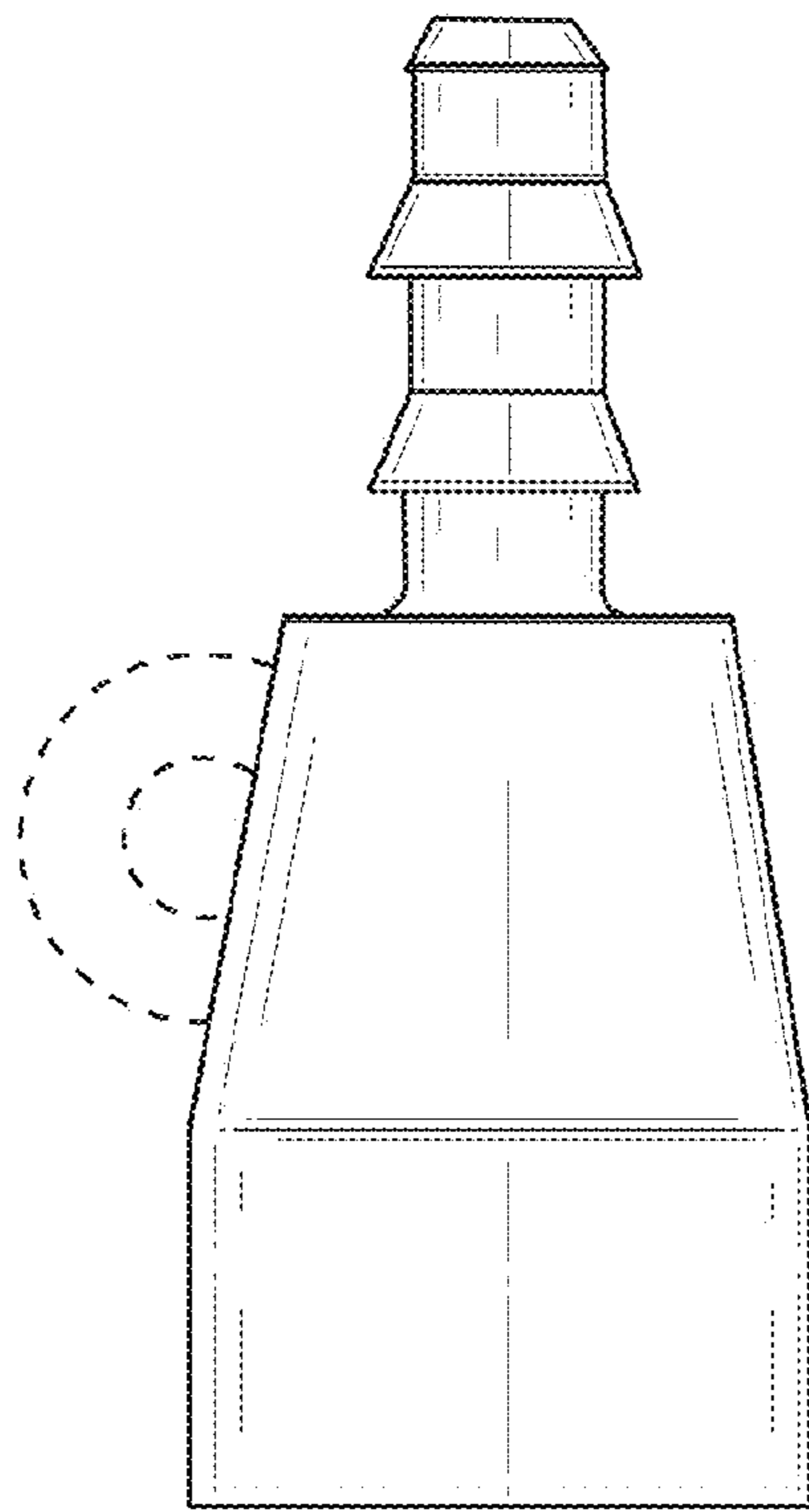


FIG. 27

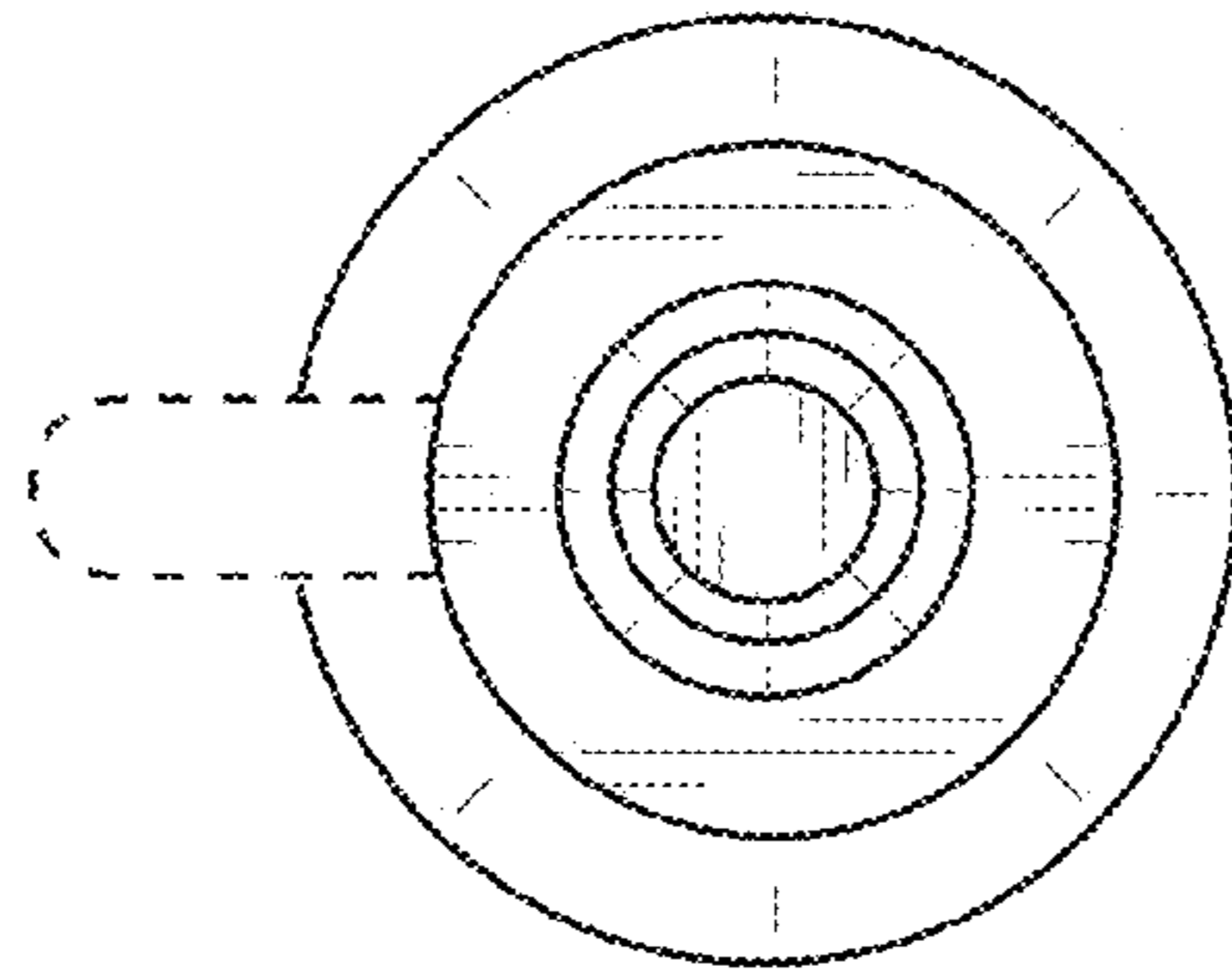


FIG. 28

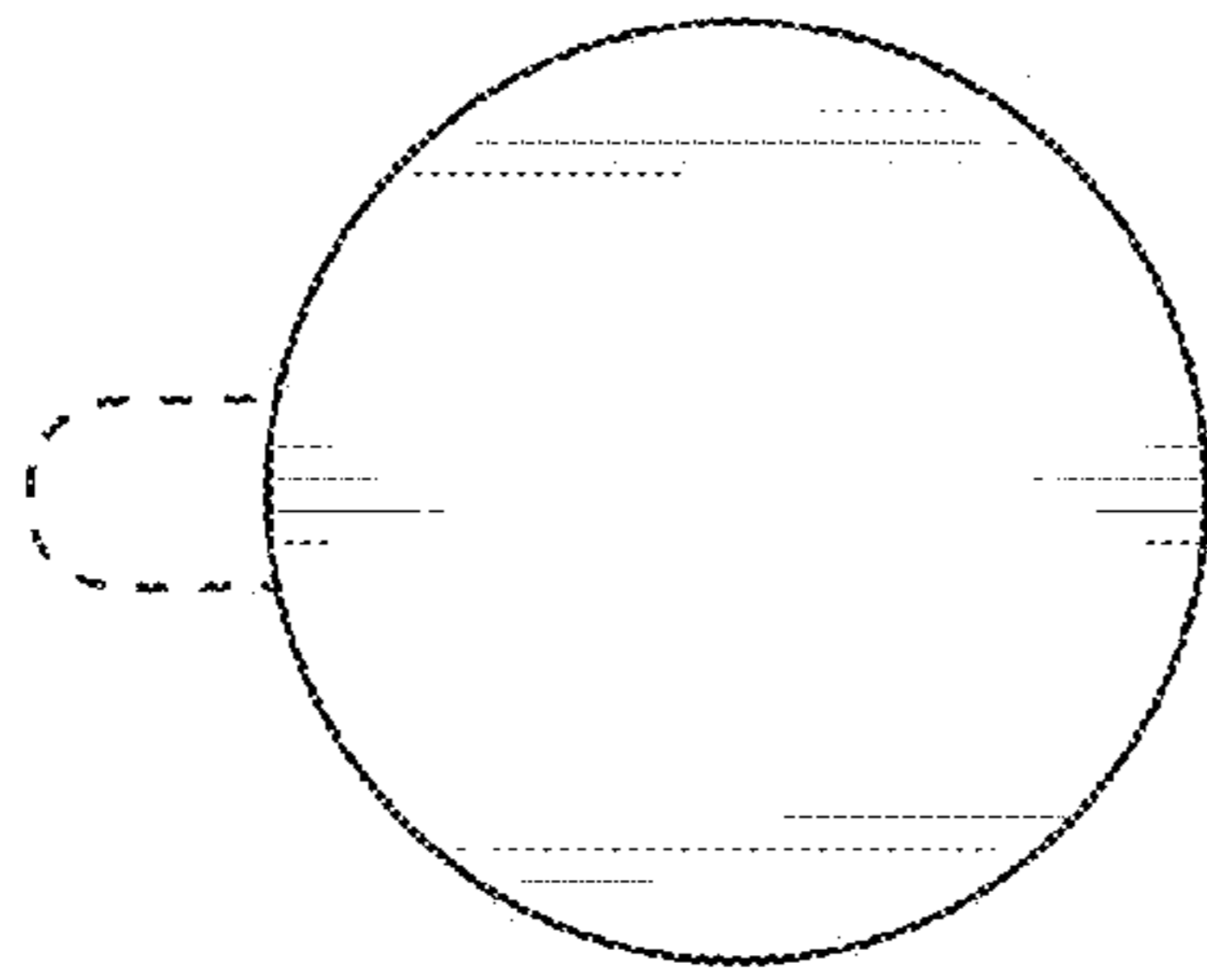


FIG. 29