



US00D709607S

(12) **United States Design Patent**
Wang

(10) **Patent No.:** **US D709,607 S**
(45) **Date of Patent:** **** Jul. 22, 2014**

(54) **COMBINED CEILING FAN MOTOR HOUSING AND FAN BLADE BRACKET**

(71) Applicant: **Air Cool Industrial Co., Ltd.**, Taichung (TW)

(72) Inventor: **Cliff Wang**, Taichung (TW)

(73) Assignee: **Air Cool Industrial Co., Ltd.**, Taichung (TW)

(**) Term: **14 Years**

(21) Appl. No.: **29/437,946**

(22) Filed: **Nov. 21, 2012**

(51) **LOC (10) Cl.** **23-04**

(52) **U.S. Cl.**
USPC **D23/411**

(58) **Field of Classification Search**

CPC F04D 25/088; F04D 29/34; F04D 29/322; F04D 29/384; F01D 5/3015; F01D 5/323; F01D 5/30; F01D 25/28; F05D 2250/70; F05D 2240/80; F24F 2221/14; B63H 1/20; F21V 21/104; F21V 33/0096
USPC D23/411-414, 324, 331, 343, 385, D23/370-384, 387, 499; D26/59, 72, 51, D26/73, 80-83, 84-86, 88, 90; 416/5, 170 R, 416/214 R, 184, 206, 207, 210 R, 220 R, 416/244 R, 248; 392/361, 364; 16/265, 382, 16/388, 389; 248/243, 398; 362/96, 294
See application file for complete search history.

(56) **References Cited**

U.S. PATENT DOCUMENTS

D42,580 S * 6/1912 Hotchkin D26/144
D328,638 S * 8/1992 Hsieh D23/377
D477,070 S * 7/2003 Johnson D23/411
D477,071 S * 7/2003 Johnson D23/411

D478,974 S * 8/2003 Hidalgo D23/377
D483,105 S * 12/2003 Hsieh D23/377
6,719,533 B2 * 4/2004 Bird 416/210 R
6,726,451 B2 * 4/2004 Frampton 416/5
D489,445 S * 5/2004 Burns D23/411
D508,124 S * 8/2005 Young D23/411
D513,531 S * 1/2006 Hidalgo D23/411
D519,628 S * 4/2006 Young D23/411
D520,628 S * 5/2006 Pickett D23/411
D535,014 S * 1/2007 Pickett D23/411
D536,438 S * 2/2007 Curtin D23/411
D541,406 S * 4/2007 Pickett D23/411
D541,407 S * 4/2007 Pickett D23/411
D557,791 S * 12/2007 Cox D23/411
D562,967 S * 2/2008 Pickett D23/411
D569,965 S * 5/2008 Pan D23/411
D570,990 S * 6/2008 Hidalgo D23/411
D577,809 S * 9/2008 Frisch D23/411
D581,514 S * 11/2008 Pickett D23/411

(Continued)

Primary Examiner — Susan Bennett Hattan

Assistant Examiner — Marie Fast Horse

(74) *Attorney, Agent, or Firm* — Ming Chow; Sinorica, LLC

(57) **CLAIM**

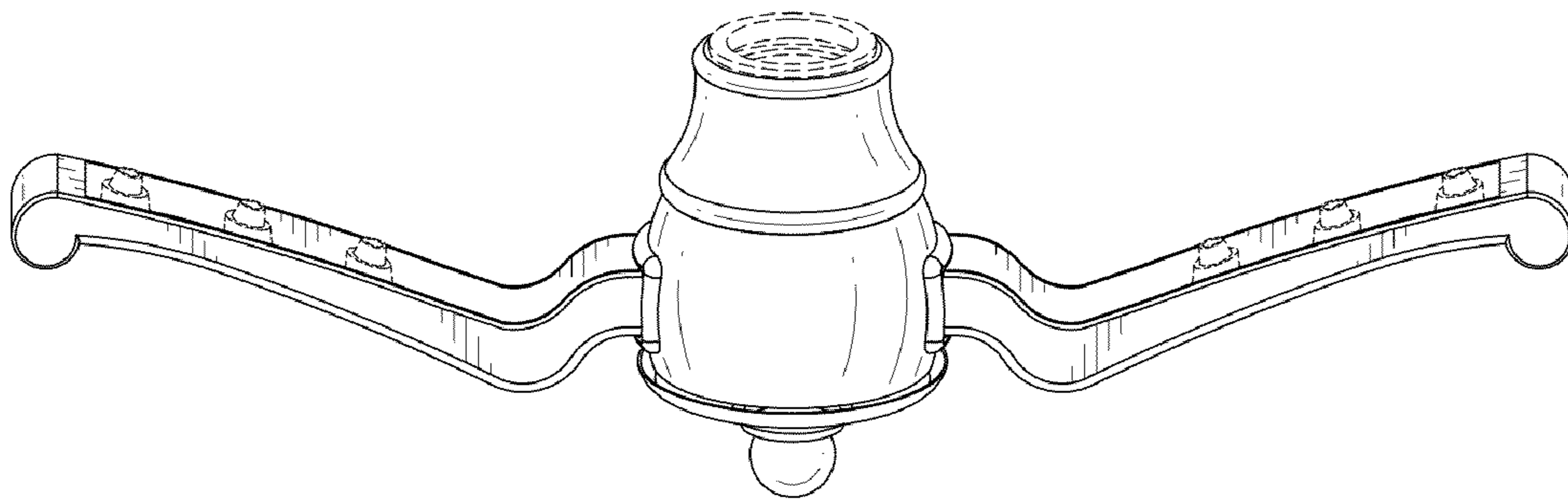
I claim the ornamental design for a combined ceiling fan motor housing and fan blade bracket, as shown and described.

DESCRIPTION

FIG. 1 is a front perspective view of a combined ceiling fan motor housing and fan blade bracket showing my new design; FIG. 2 is a front elevational view thereof; FIG. 3 is a rear elevational view thereof; FIG. 4 is a left side elevational view thereof; FIG. 5 is a right side elevational view thereof; FIG. 6 is a top plan view thereof; and, FIG. 7 is a bottom plan view thereof.

The broken lines in the drawings depict environmental subject matter only and form no part of the claimed design.

1 Claim, 4 Drawing Sheets



US D709,607 S

Page 2

(56)

References Cited

U.S. PATENT DOCUMENTS

D613,847 S * 4/2010 Shurtleff D23/411
D614,758 S * 4/2010 Shurtleff D23/411

D678,499 S * 3/2013 Pan D23/411
D690,410 S * 9/2013 Passauer, III D23/411
2003/0129057 A1 * 7/2003 Frampton 416/5
2004/0141842 A1 * 7/2004 Frampton 416/5

* cited by examiner

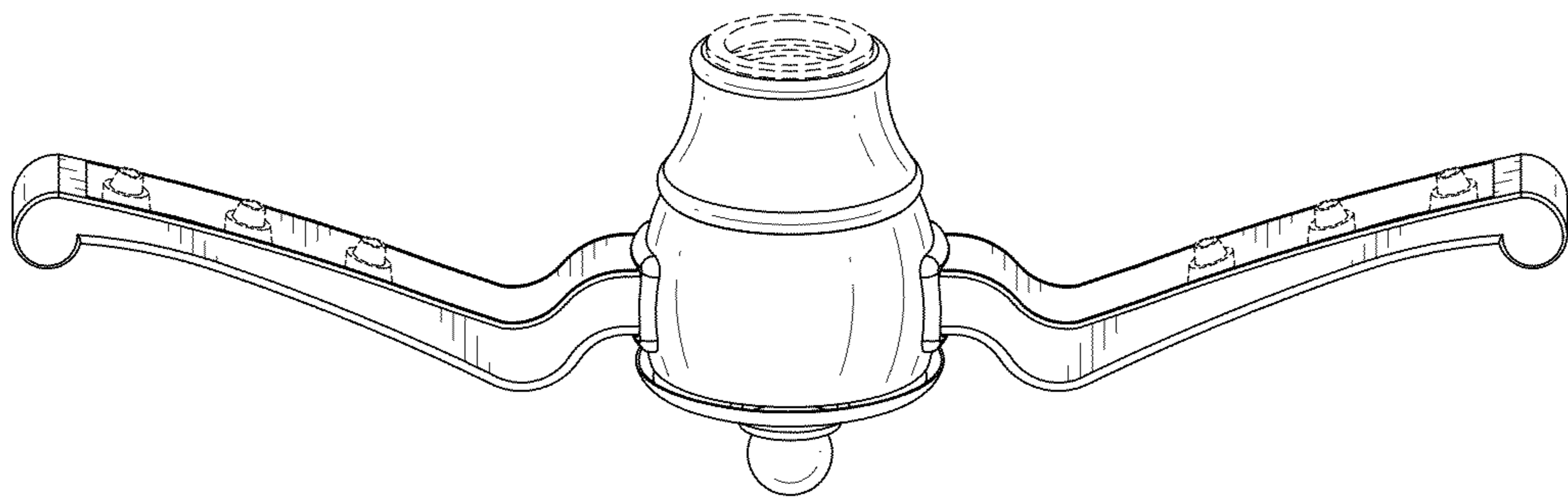


FIG. 1

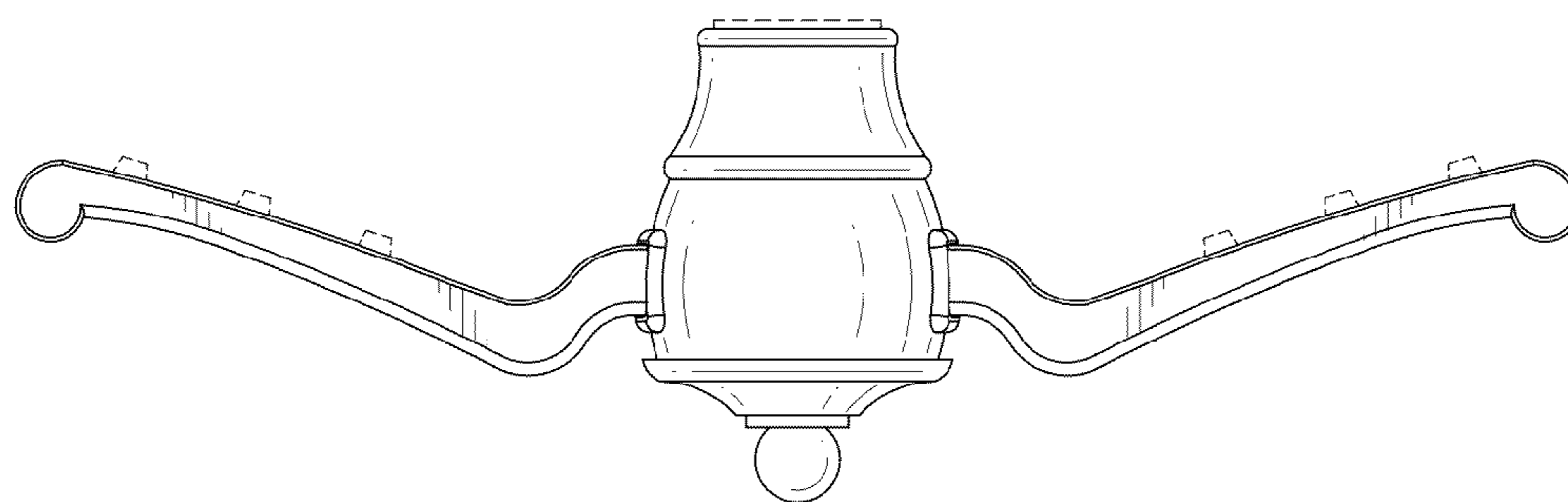


FIG. 2

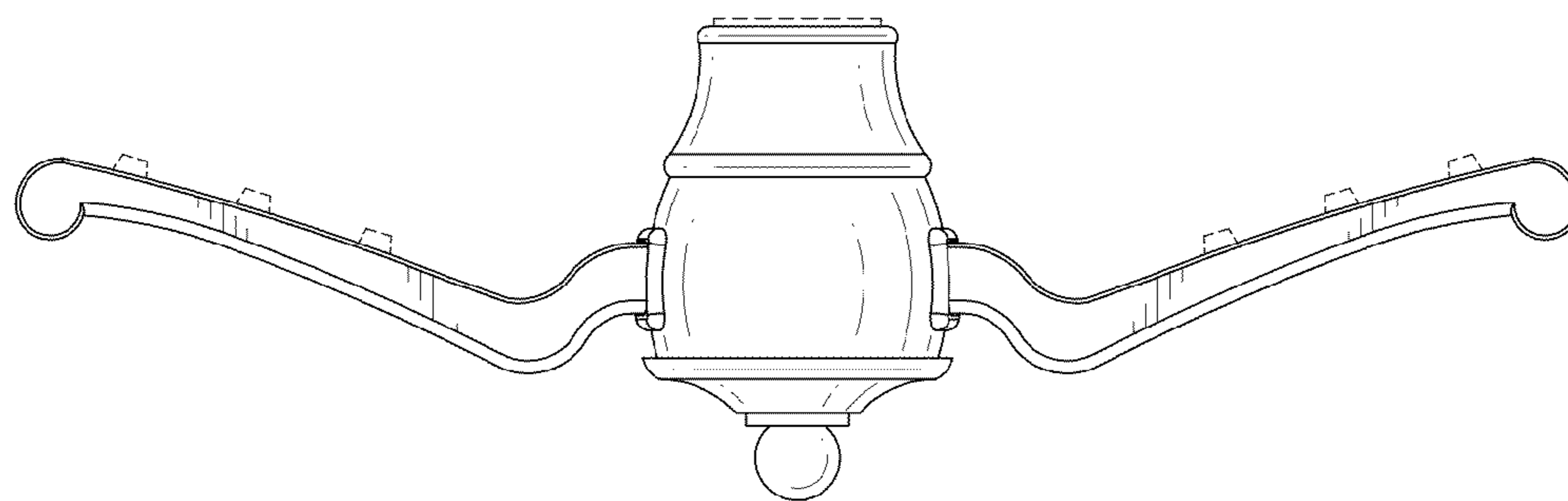


FIG. 3

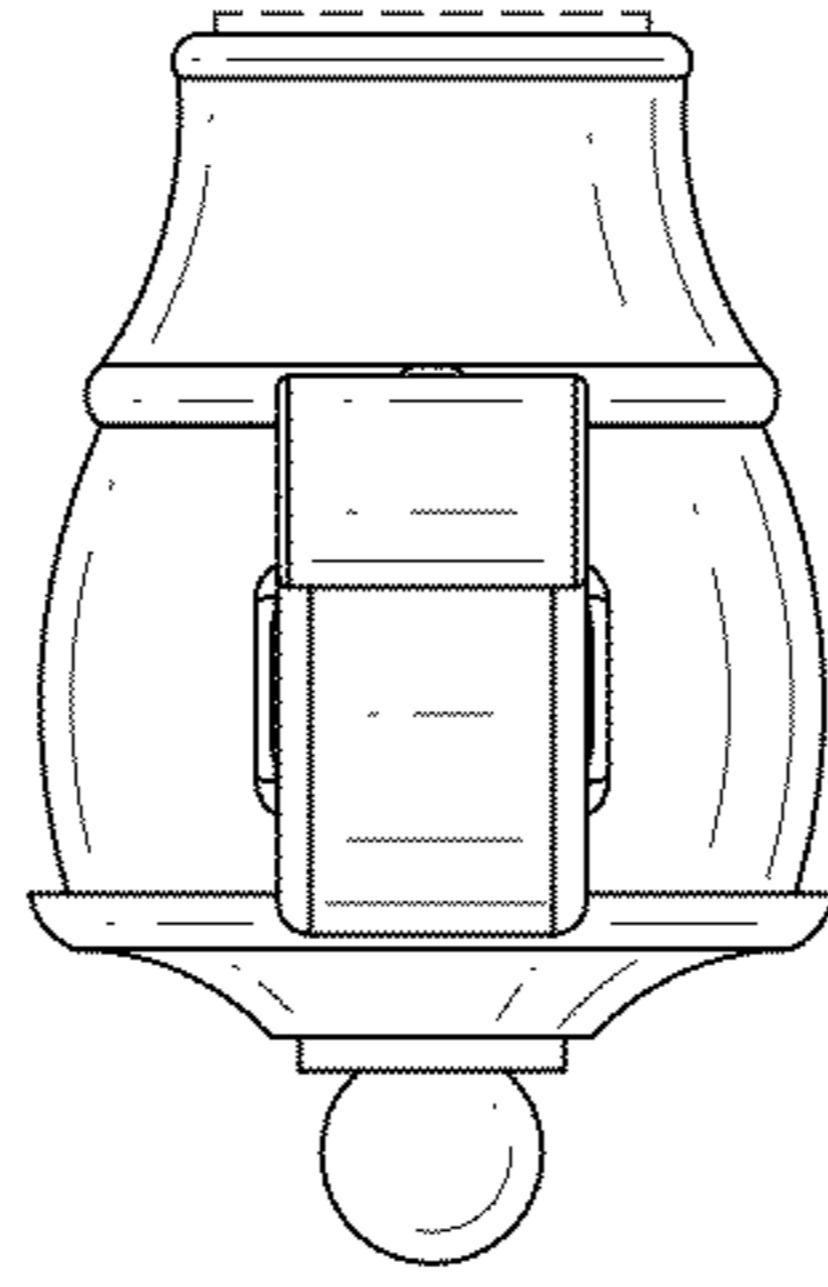


FIG. 4

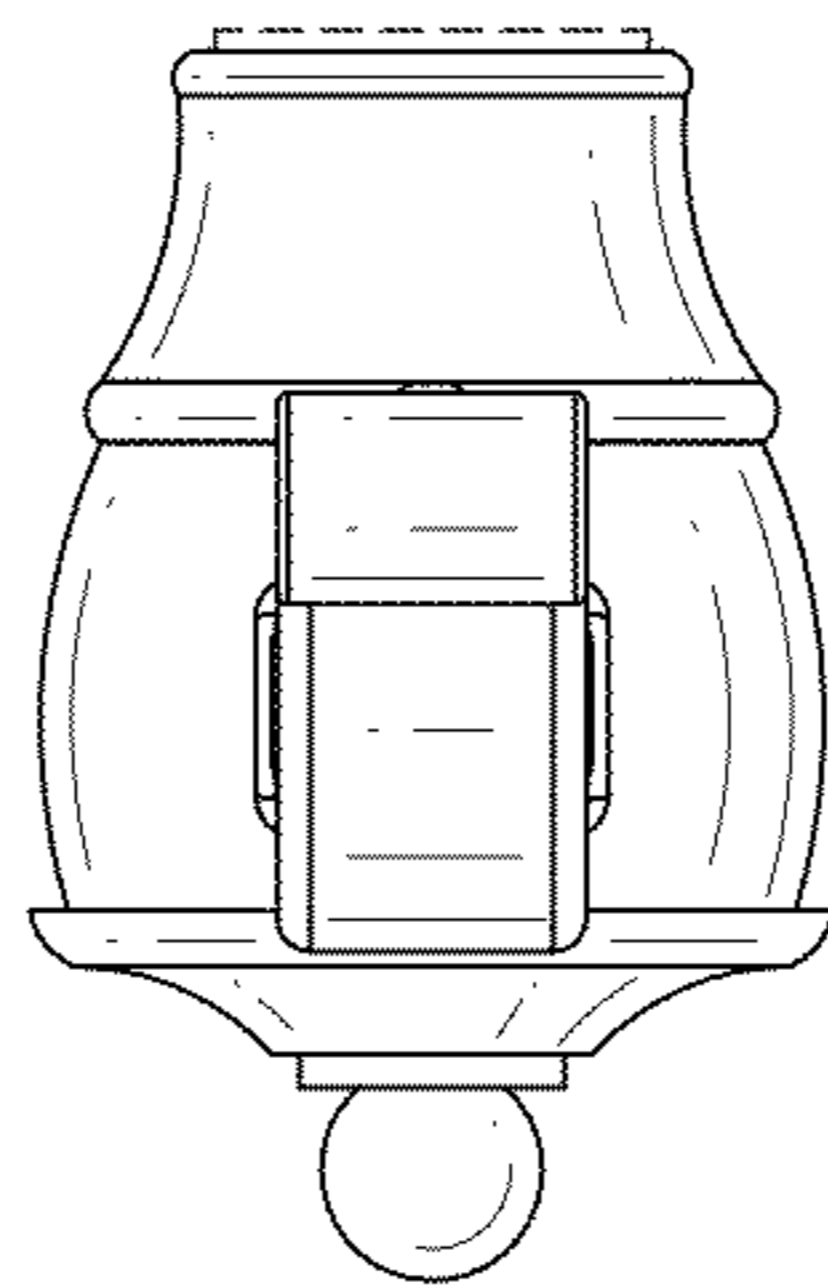


FIG. 5

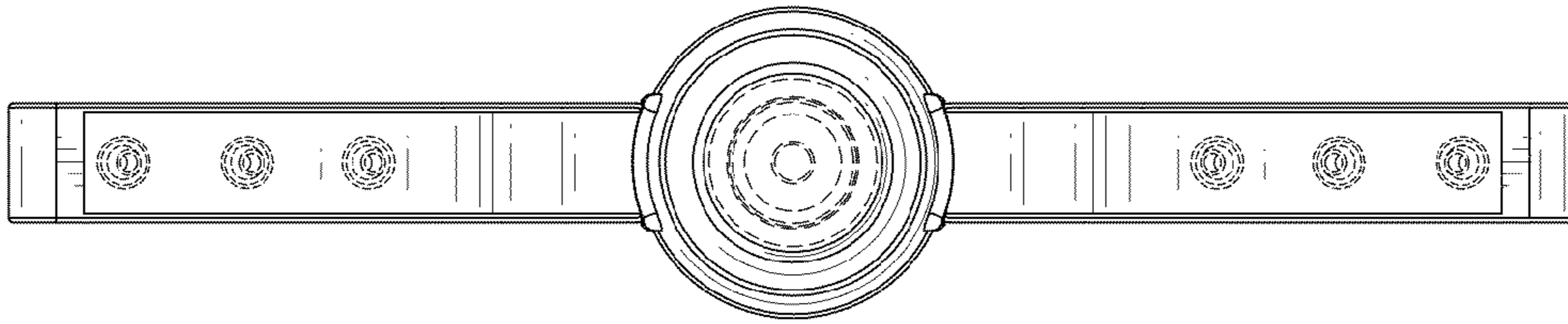


FIG. 6

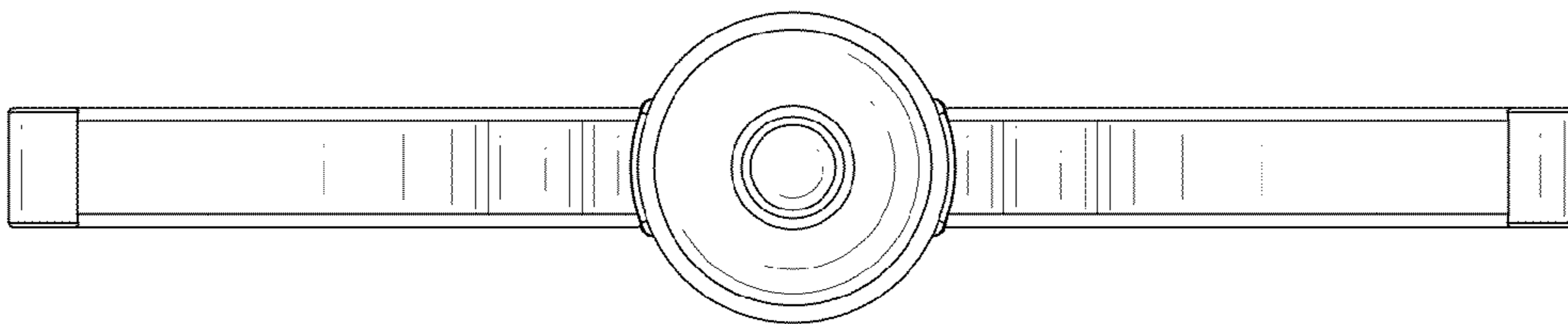


FIG. 7