



US00D709603S

(12) **United States Design Patent**  
**Pal et al.**

(10) **Patent No.:** **US D709,603 S**

(45) **Date of Patent:** **\*\* Jul. 22, 2014**

(54) **HYBRID HEAT PUMP WATER HEATER**

(56)

**References Cited**

(71) Applicants: **Randeep Pal**, Houston, TX (US); **Sunil Sinha**, Houston, TX (US); **Jaspreet Pal**, Houston, TX (US)

U.S. PATENT DOCUMENTS

D603,492	S	*	11/2009	Lopez et al.	.....	D23/318
D605,263	S	*	12/2009	Nelson et al.	.....	D23/318
D646,104	S	*	10/2011	Zhou et al.	.....	D7/305
D665,063	S	*	8/2012	Zhang et al.	.....	D23/318
D665,483	S	*	8/2012	Fu et al.	.....	D23/318

(72) Inventors: **Randeep Pal**, Houston, TX (US); **Sunil Sinha**, Houston, TX (US); **Jaspreet Pal**, Houston, TX (US)

\* cited by examiner

(\*\*) Term: **14 Years**

*Primary Examiner* — T. Chase Nelson

*Assistant Examiner* — Ania Aman

(74) *Attorney, Agent, or Firm* — QuickPatents; Kevin Prince

(21) Appl. No.: **29/439,041**

(57) **CLAIM**

We claim the ornamental design for a hybrid heat pump water heater, as shown and described.

(22) Filed: **Dec. 5, 2012**

**DESCRIPTION**

(51) **LOC (10) Cl.** ..... **23-03**

FIG. 1 is a perspective view of a hybrid heat pump water heater, showing our new design;  
FIG. 2 is a front elevational view thereof;  
FIG. 3 is a rear elevational view thereof;  
FIG. 4 is a left-side elevational view thereof;  
FIG. 5 is a right-side elevational view thereof;  
FIG. 6 is a top plan view thereof; and,  
FIG. 7 is a bottom plan view thereof.

(52) **U.S. Cl.**

USPC ..... **D23/318**

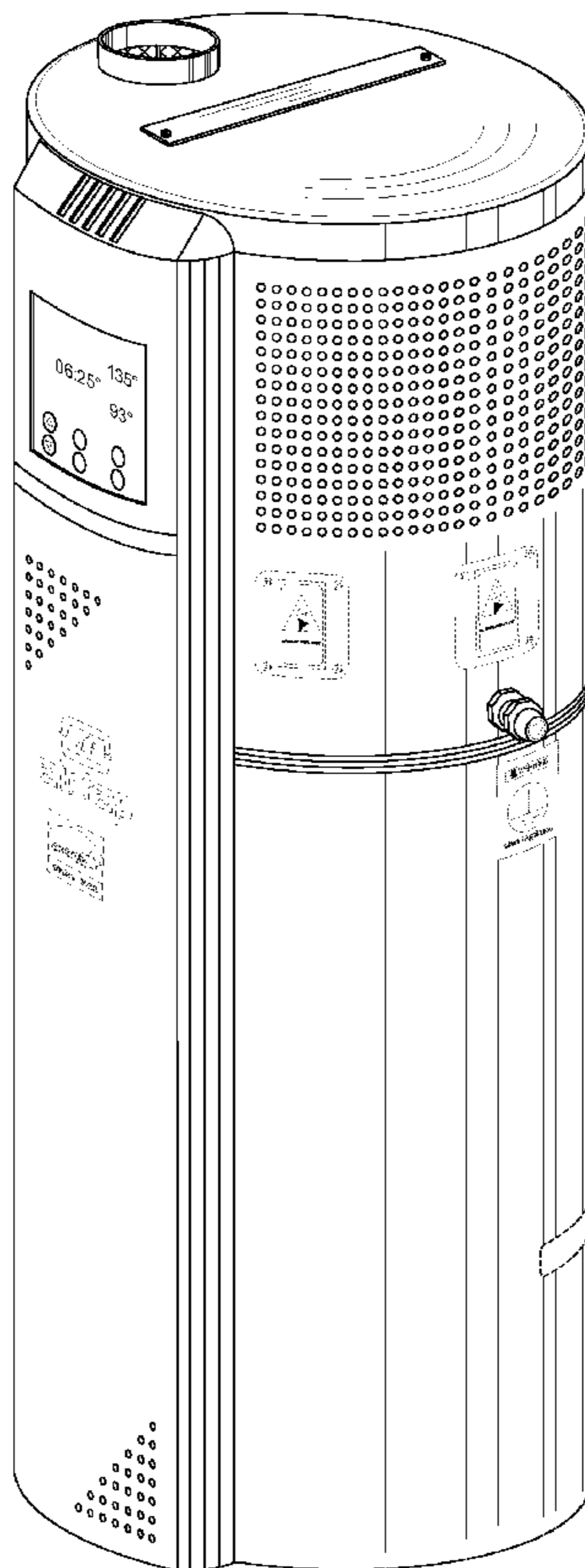
The broken lines in the figures depict environmental matter and form no part of the claimed design.

(58) **Field of Classification Search**

USPC ..... D23/318, 322, 319, 320, 321, 334;  
126/361, 35 R; 122/13.2, 14, 15, 19.2;  
392/449, 451, 454

See application file for complete search history.

**1 Claim, 6 Drawing Sheets**



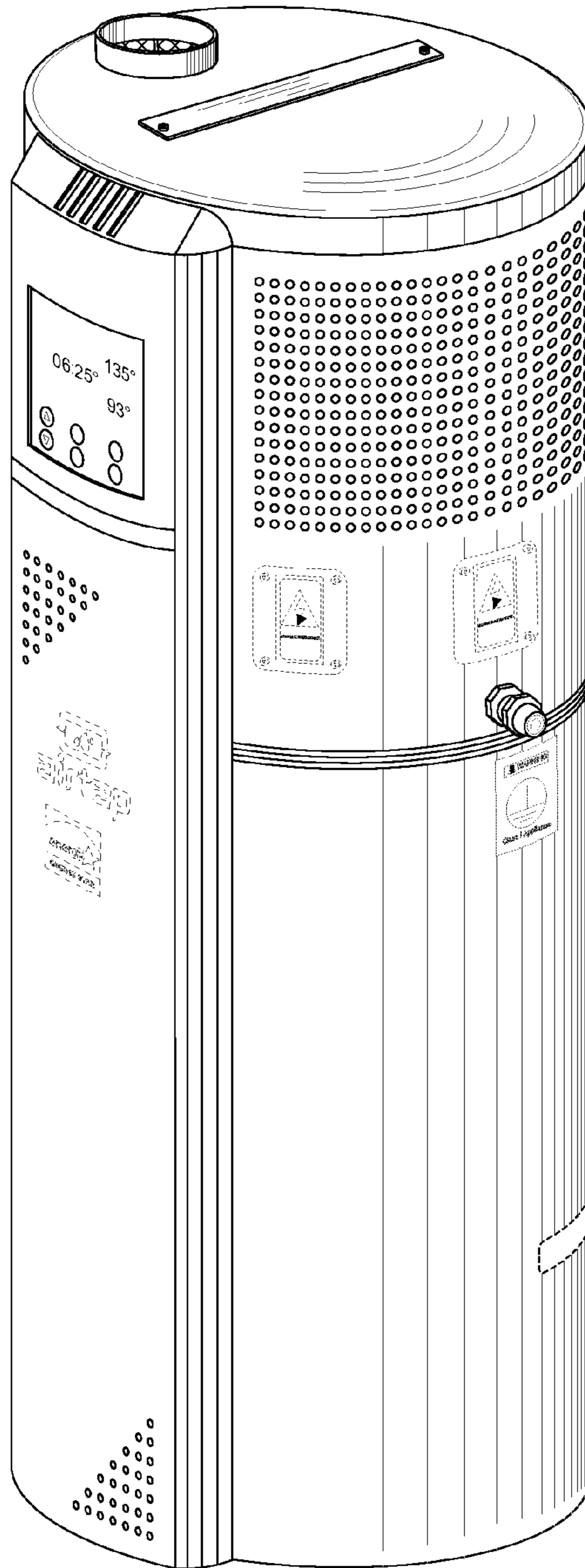


FIG. 1

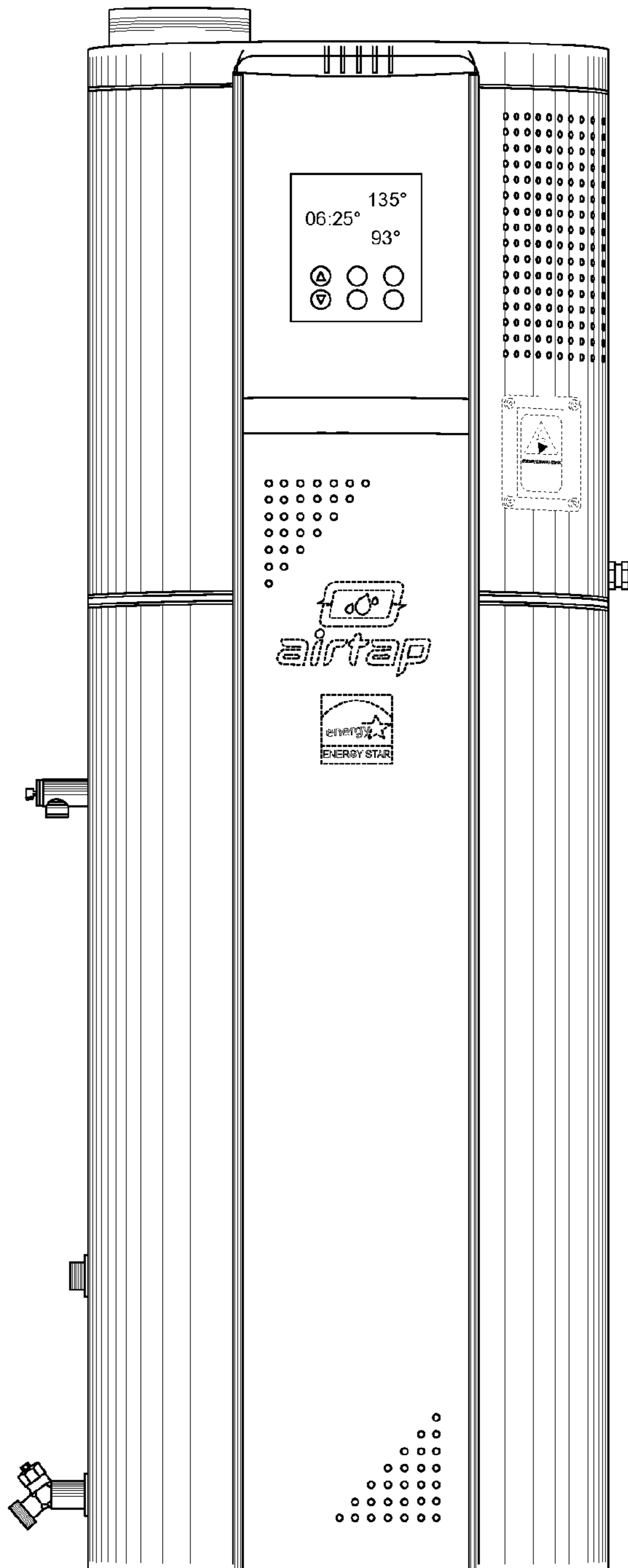


FIG. 2

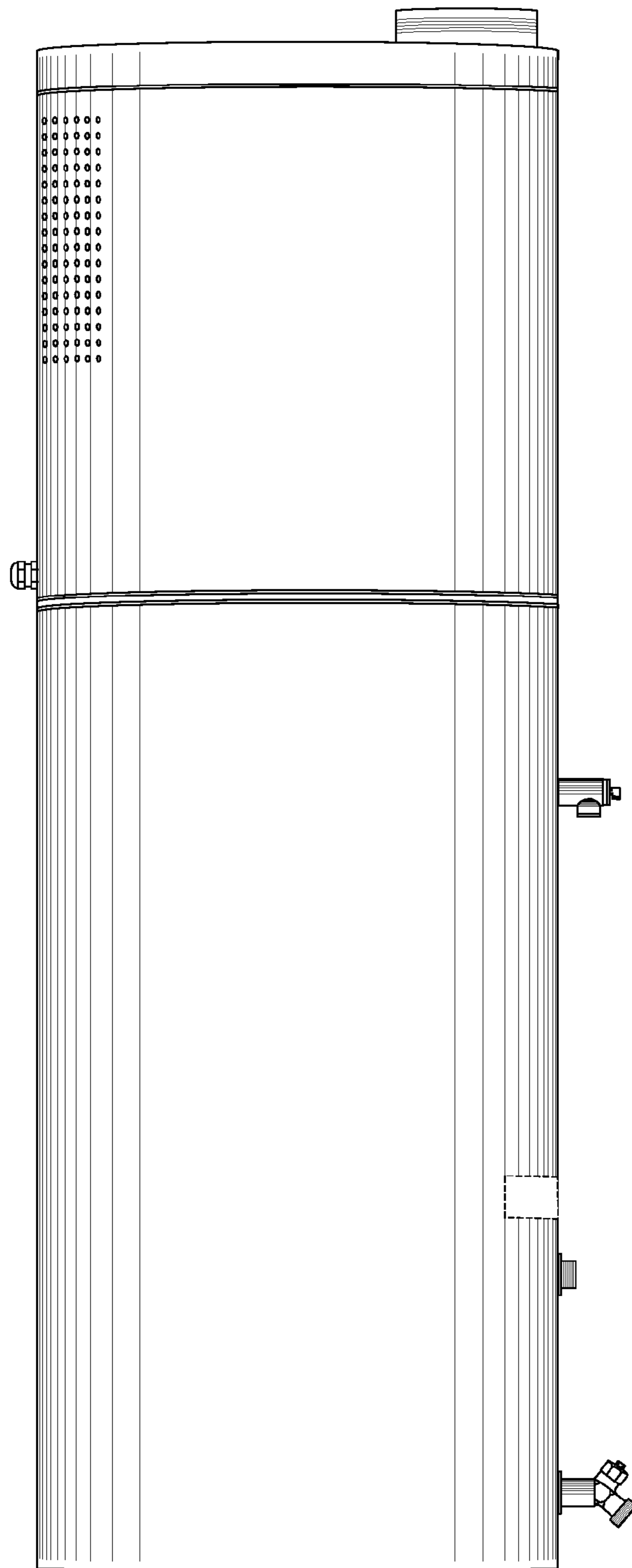


FIG. 3

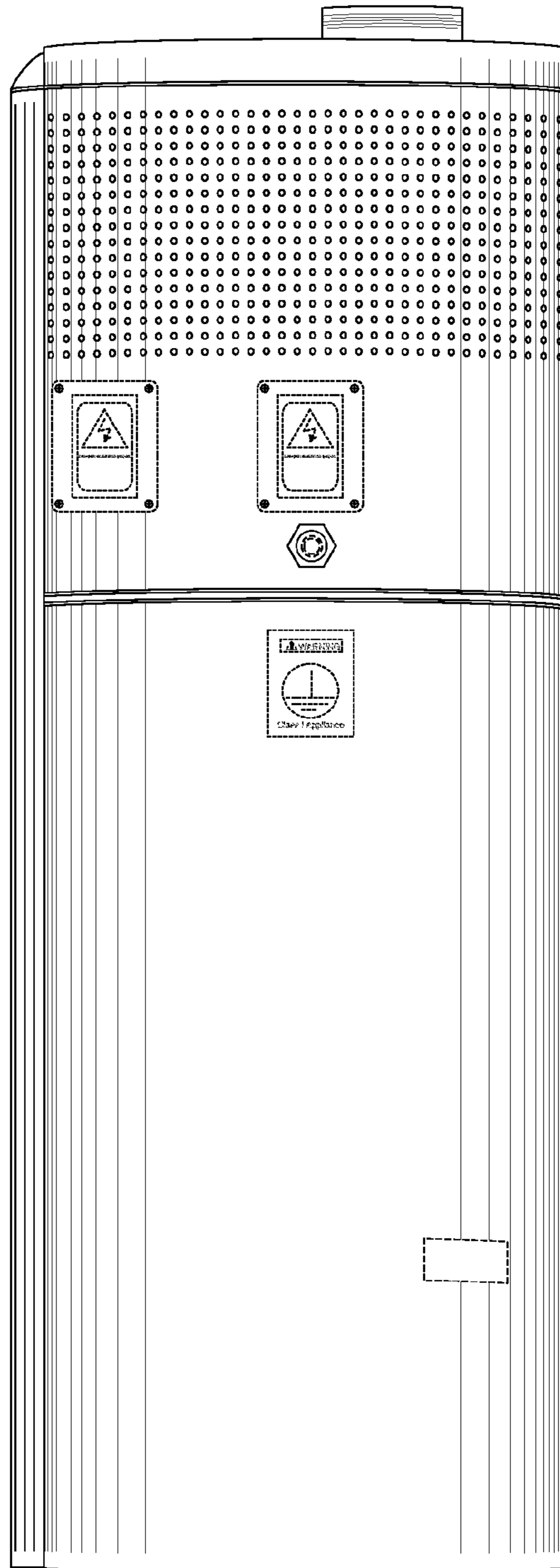


FIG. 4

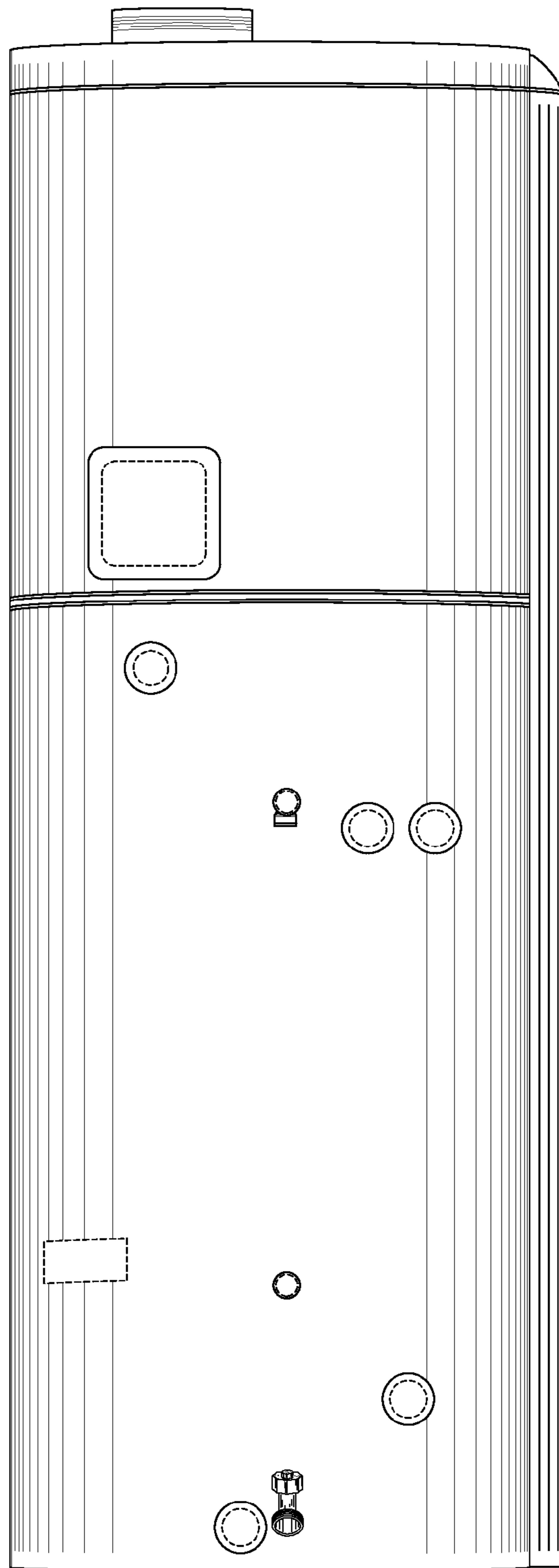


FIG. 5

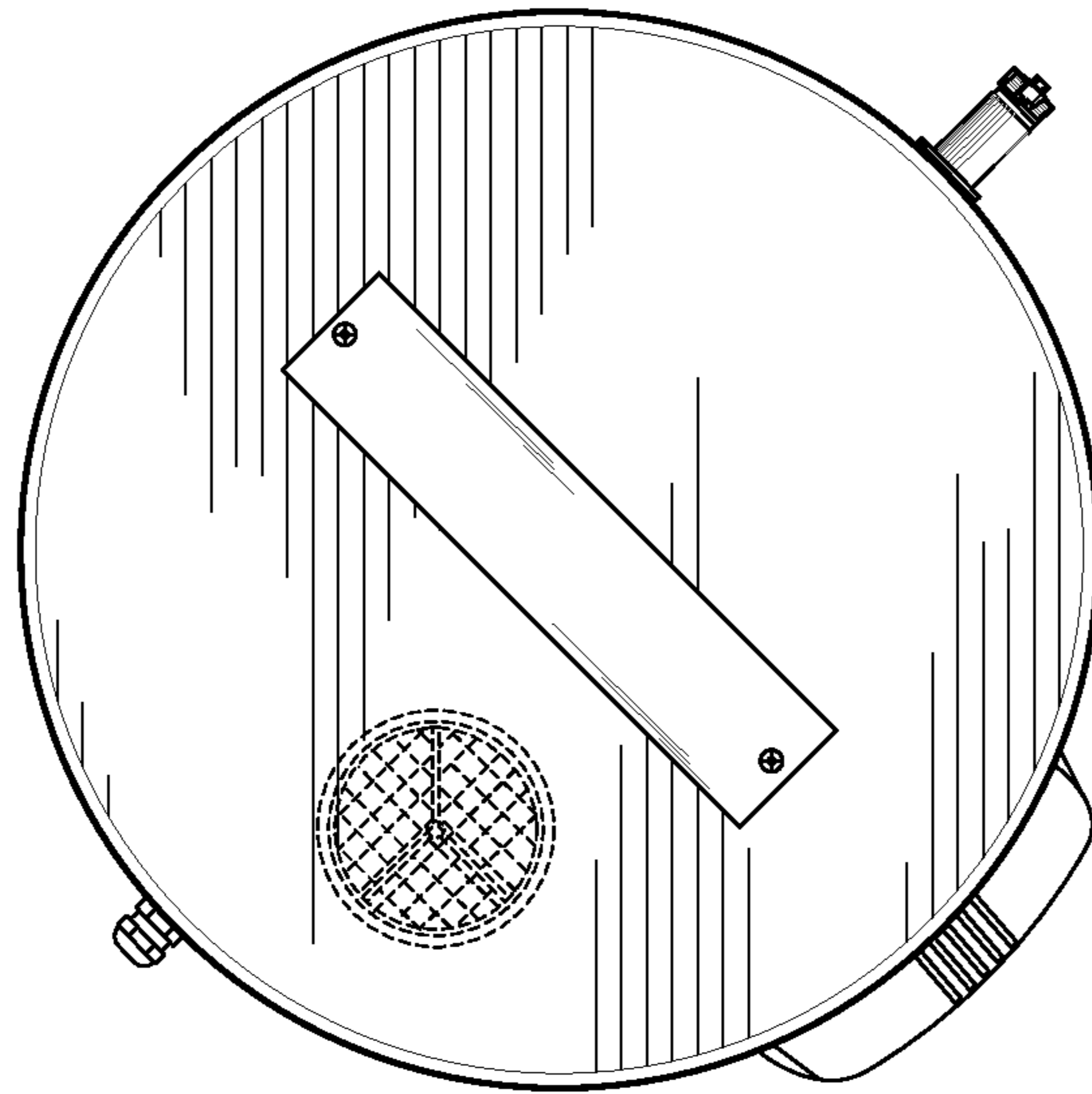


FIG. 6

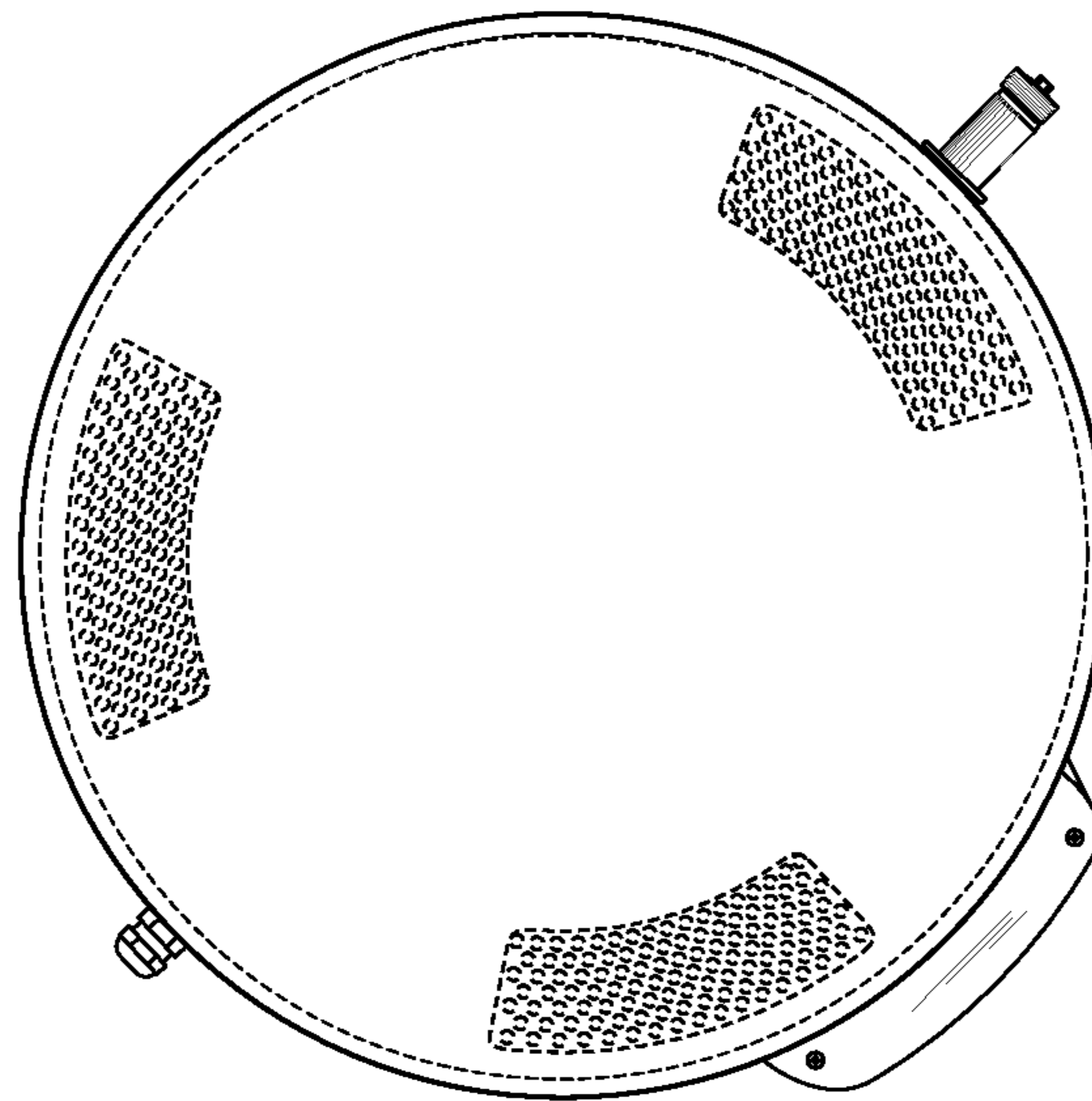


FIG. 7