



US00D709601S

(12) **United States Design Patent**  
**Sullivan**

(10) **Patent No.:** **US D709,601 S**  
(45) **Date of Patent:** **\*\* Jul. 22, 2014**

- (54) **CURVED SHOWER ENCLOSURE**
- (71) Applicant: **Michael J. Sullivan**, Bellmawr, NJ (US)
- (72) Inventor: **Michael J. Sullivan**, Bellmawr, NJ (US)
- (\*\*) Term: **14 Years**
- (21) Appl. No.: **29/442,546**
- (22) Filed: **Mar. 20, 2013**
- (51) **LOC (10) Cl.** ..... **23-02**
- (52) **U.S. Cl.**  
USPC ..... **D23/305**
- (58) **Field of Classification Search**  
CPC ..... A47K 3/20; A47K 3/00; A47K 3/28;  
A47K 3/286; E05Y 2900/114  
USPC ..... D23/275, 283, 303-305; 4/552, 596,  
4/661  
See application file for complete search history.

6,637,047 B1 10/2003 Zettler  
 D571,441 S \* 6/2008 Sauvageau et al. .... D23/283  
 D590,052 S \* 4/2009 Murphy ..... D23/283  
 8,495,772 B2 \* 7/2013 Boonstra ..... 4/557

\* cited by examiner

*Primary Examiner* — Robert Delehanty  
(74) *Attorney, Agent, or Firm* — Paul K. Martin

(57) **CLAIM**  
The ornamental design for a curved shower enclosure, as shown and described.

**DESCRIPTION**

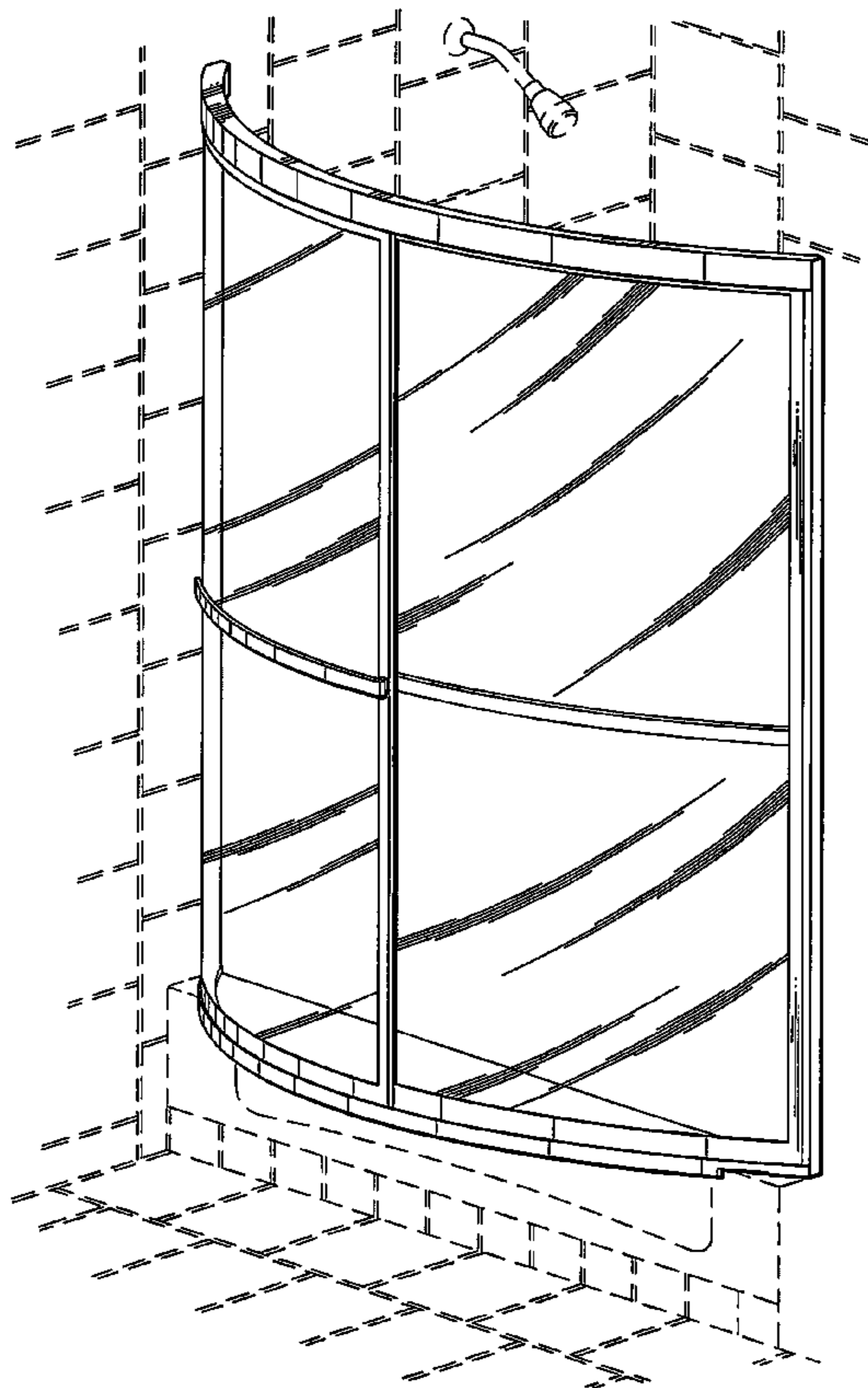
FIG. 1 is perspective view of the front surface of the curved shower enclosure of my new design showing it being affixed to the opening of a shower.  
 FIG. 2 is a perspective view of the back surface of the curved shower enclosure of my new design.  
 FIG. 3 is an front elevational view of my new design.  
 FIG. 4 is a rear elevational view thereof.  
 FIG. 5 is a right side elevational view thereof.  
 FIG. 6 is a left side elevational view thereof.  
 FIG. 7 is a top plan view thereof; and,  
 FIG. 8 is a bottom plan view thereof.  
 The broken line elements in FIGS. 1-8, depicting a shower including walls and faucets, represent environmental elements, and are not a part of my new design.

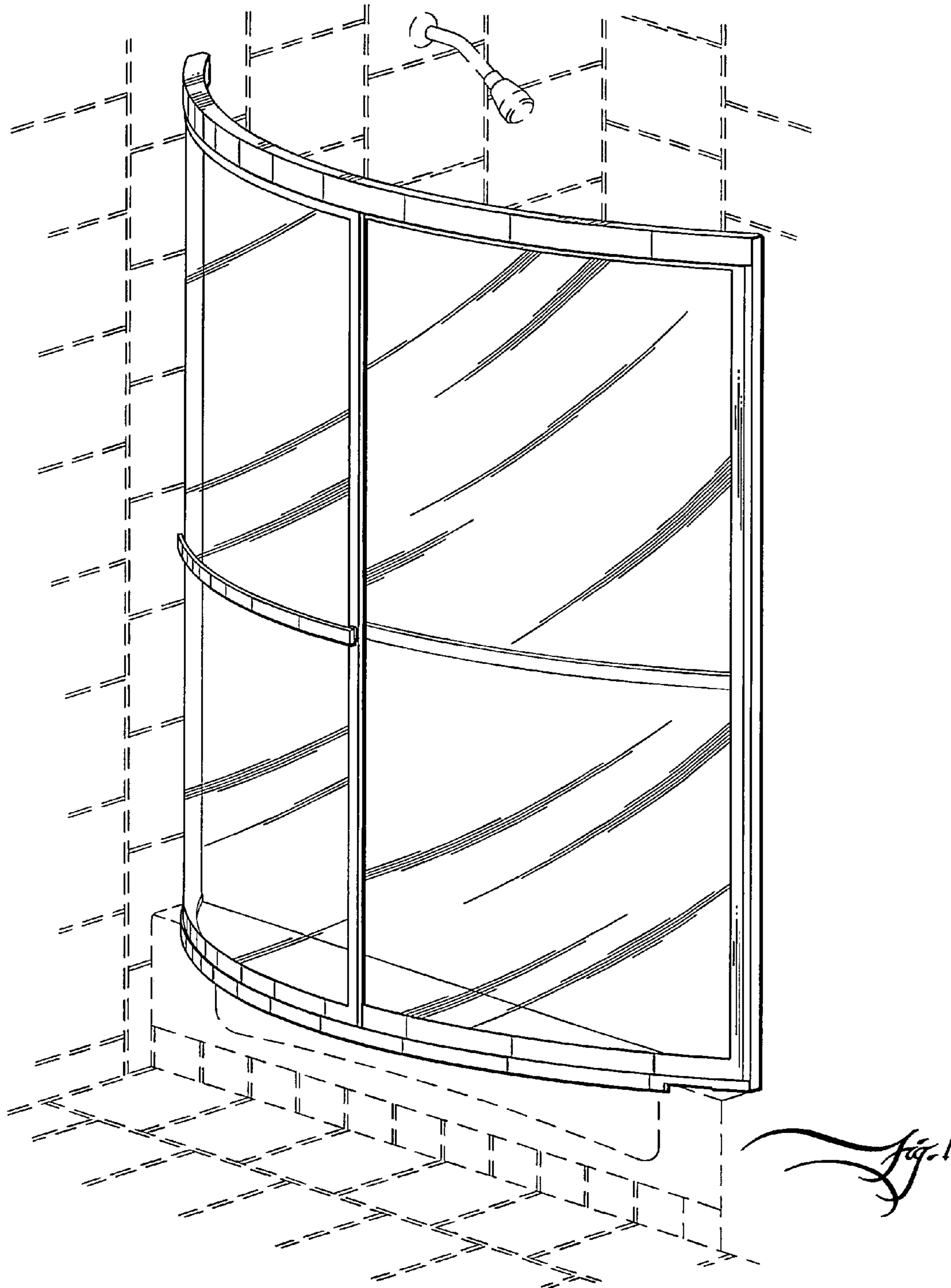
(56) **References Cited**

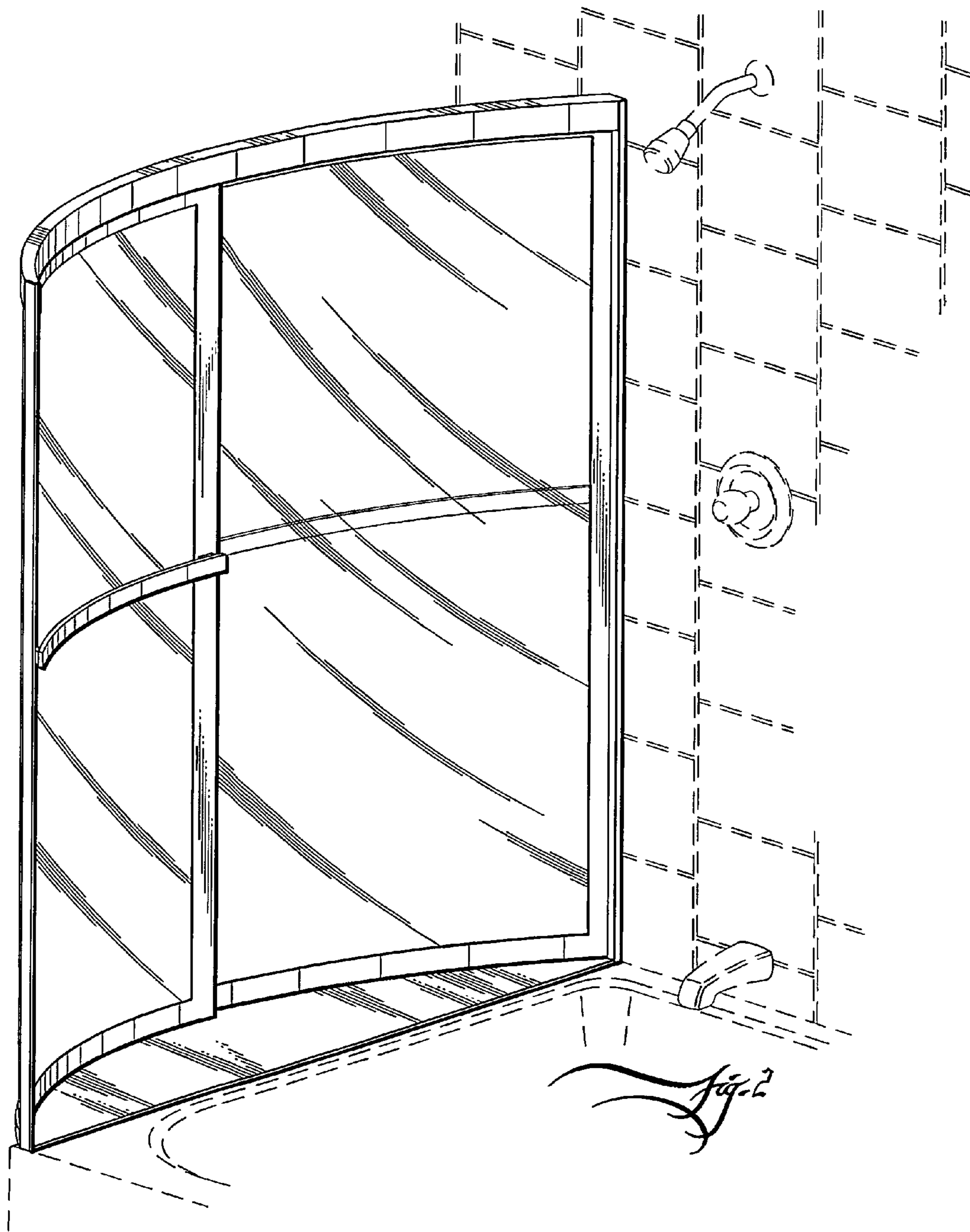
U.S. PATENT DOCUMENTS

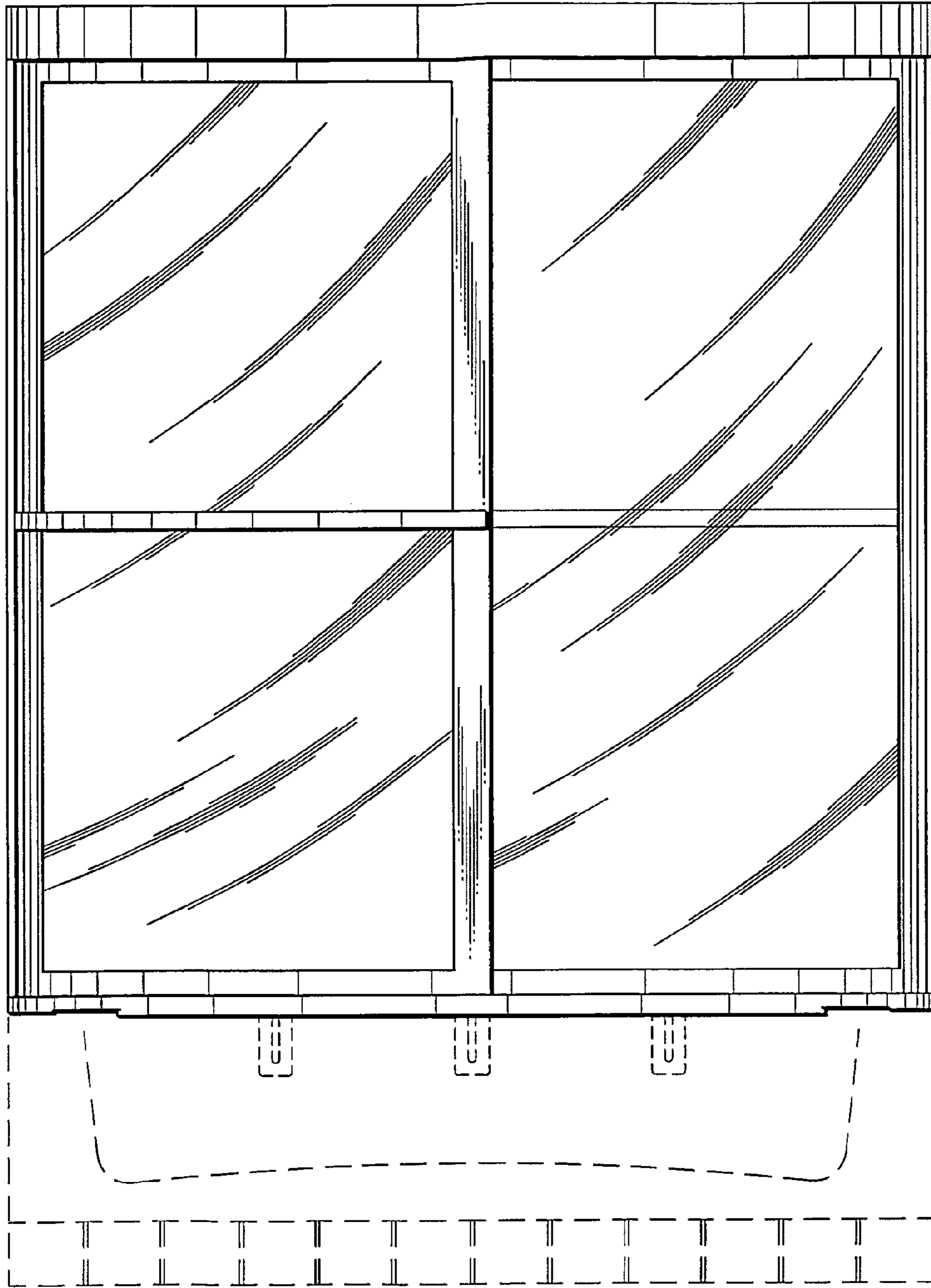
3,479,778	A	11/1969	Johnson	
3,557,390	A	1/1971	Skyhawk	
D281,448	S	11/1985	Primucci	
D352,548	S	* 11/1994	Pinsky et al.	..... D23/283
D374,917	S	* 10/1996	Casden	..... D23/283

**1 Claim, 6 Drawing Sheets**

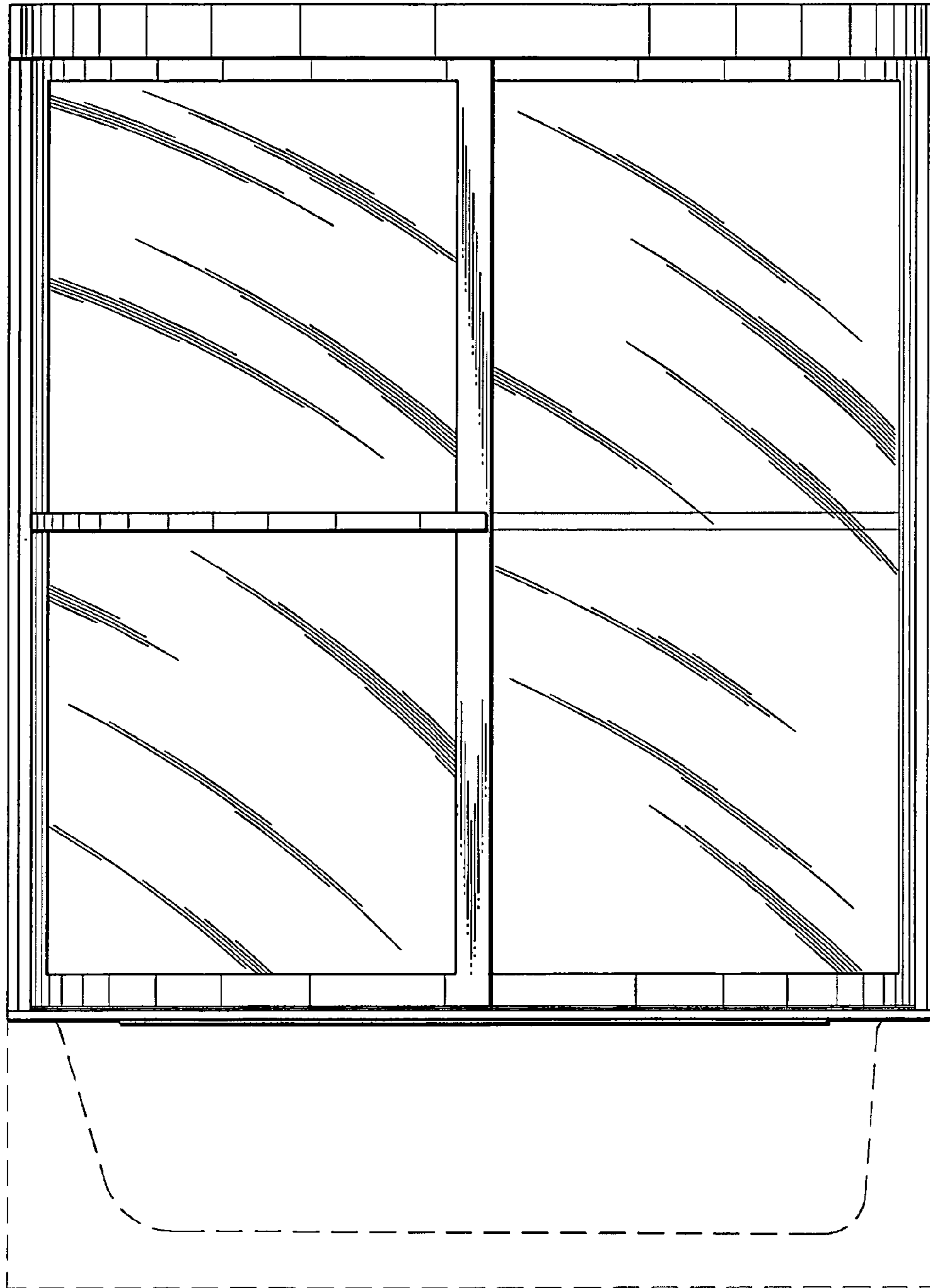




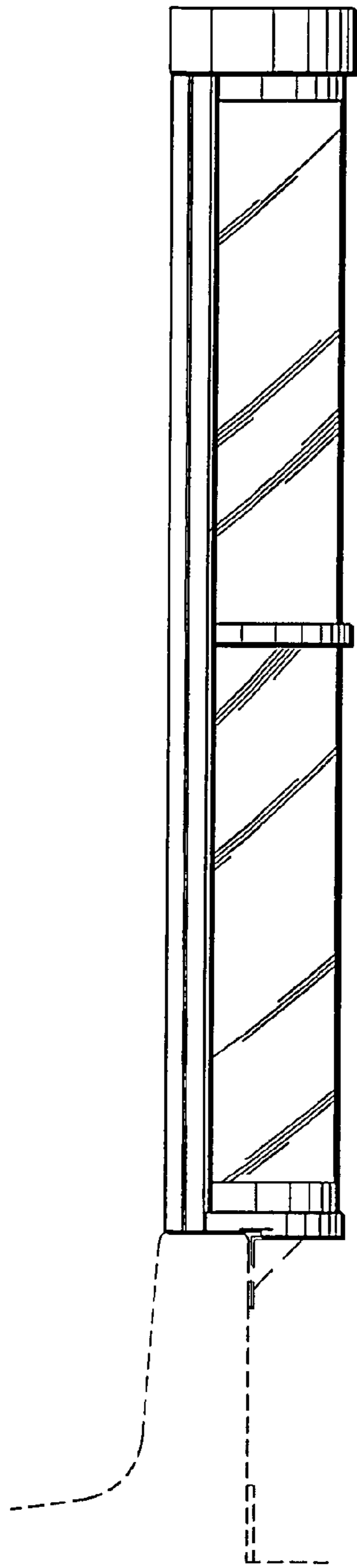




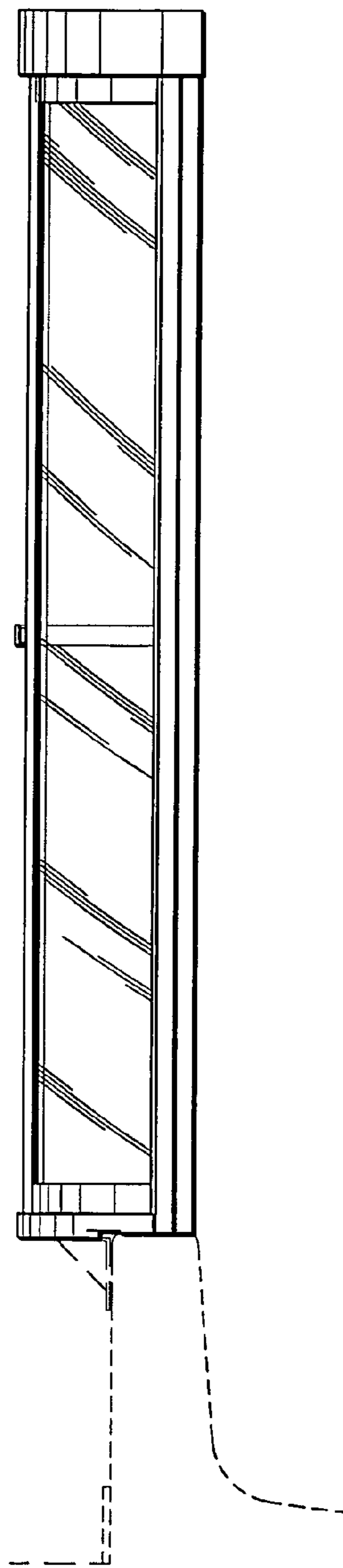
*Fig. 3*



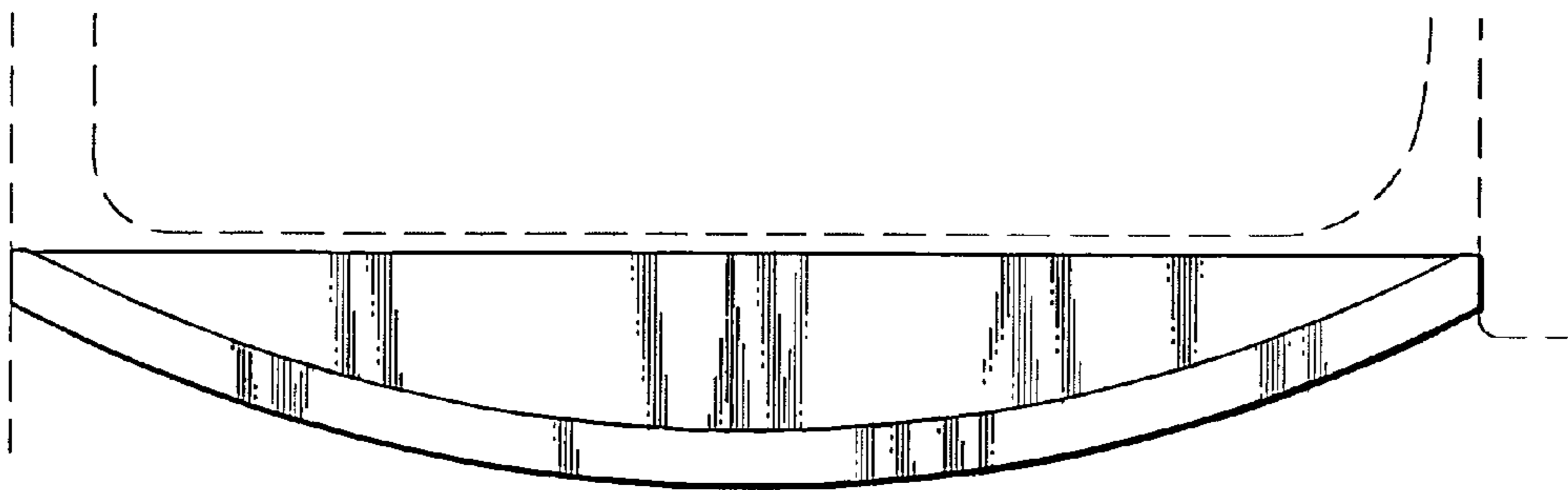
*Fig. 4*



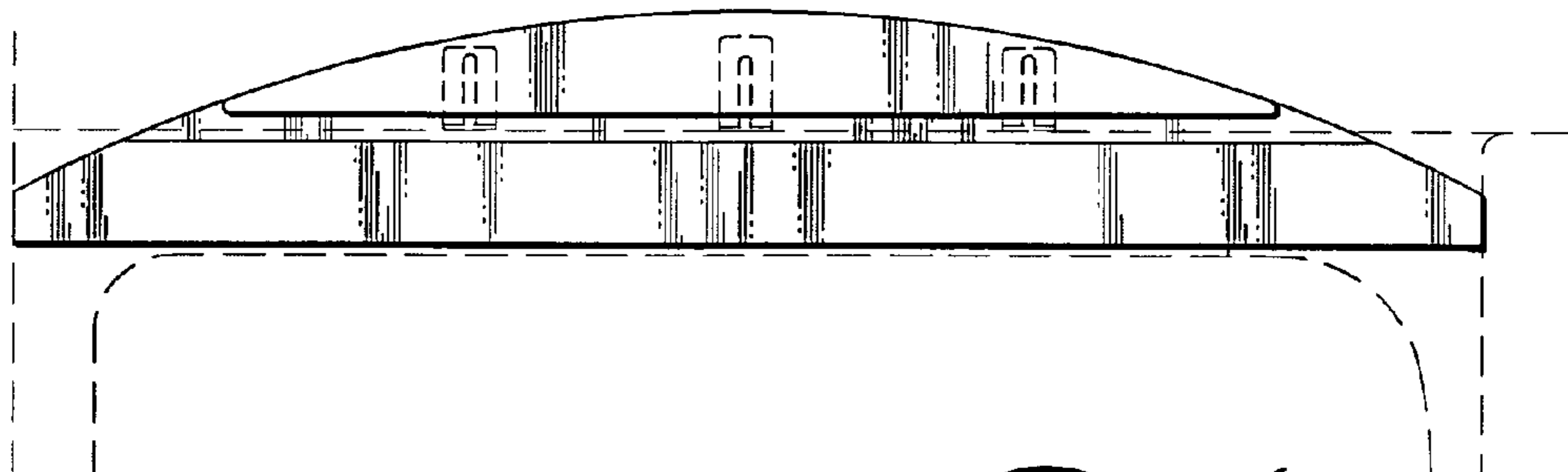
*Fig. 5*



*Fig. 6*



*Fig. 7*



*Fig. 8*