



US00D709598S

(12) **United States Design Patent**
Dupras

(10) **Patent No.:** **US D709,598 S**
(45) **Date of Patent:** **** Jul. 22, 2014**

(54) **TULIP BATHTUB**

(71) Applicant: **Wetstyle**, Montreal (CA)

(72) Inventor: **Joel Dupras**, Brownsburg-Chatham
(CA)

(73) Assignee: **Wet Manufacturing Inc**, Montreal (CA)

(**) Term: **14 Years**

(21) Appl. No.: **29/466,196**

(22) Filed: **Sep. 5, 2013**

(30) **Foreign Application Priority Data**

Jun. 13, 2013 (CA) 151667

(51) **LOC (10) Cl.** **23-02**

(52) **U.S. Cl.**
USPC **D23/280.1**

(58) **Field of Classification Search**
CPC A47K 3/02; A47K 4/00
USPC D23/277, 280.1-280.4, 303-304; 4/538
See application file for complete search history.

(56) **References Cited**

U.S. PATENT DOCUMENTS

D485,890 S * 1/2004 Lanius D23/280.1
D510,615 S * 10/2005 Matthews et al. D23/280.1
D637,699 S * 5/2011 Messier D23/277
D694,866 S * 12/2013 Quigley D23/277

* cited by examiner

Primary Examiner — Robert Delehanty

(74) *Attorney, Agent, or Firm* — Hodgson Russ LLP

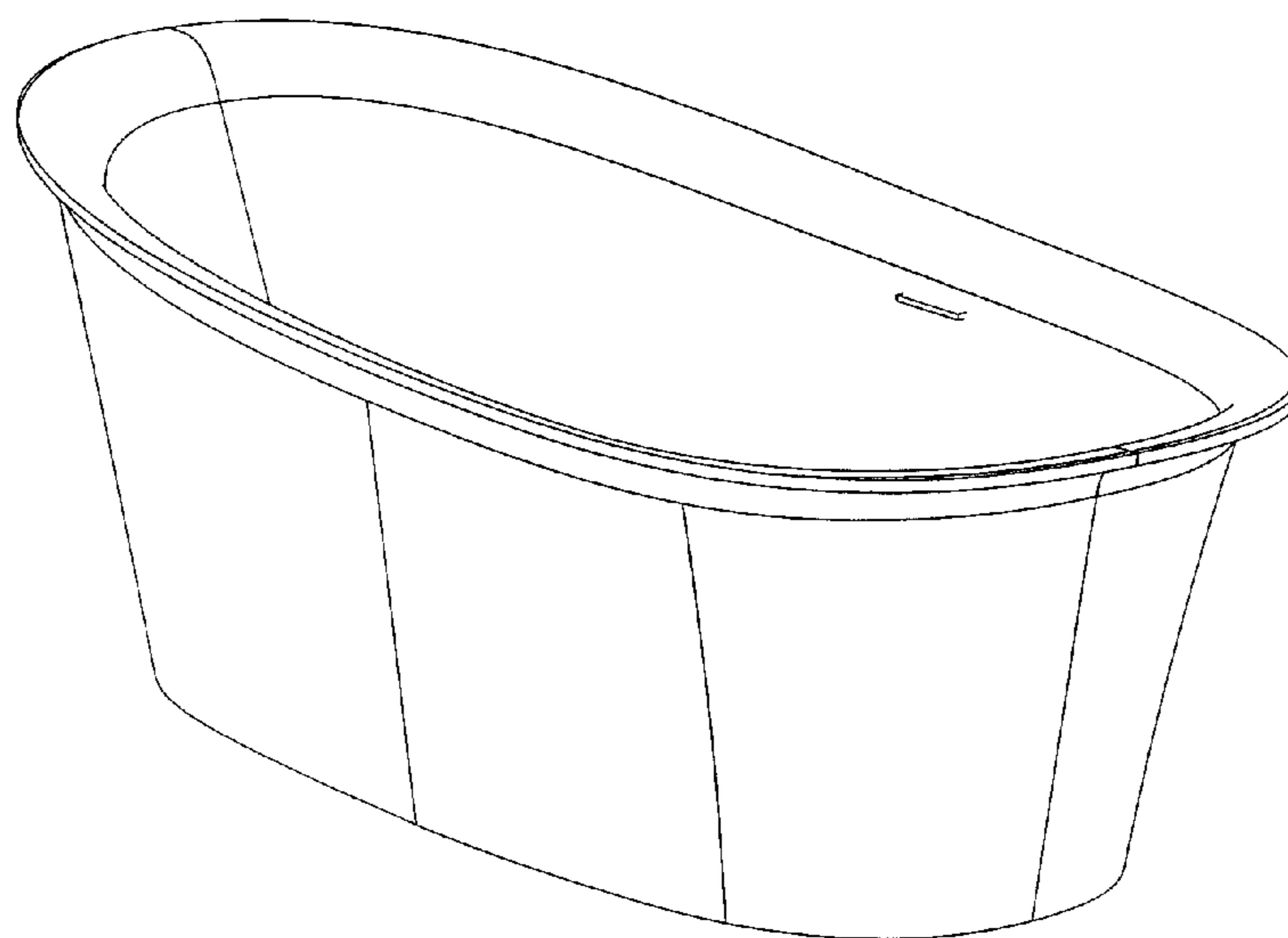
(57) **CLAIM**

The ornamental design for tulip bathtub, as shown and described.

DESCRIPTION

FIG. 1 is a top plan view of the bathtub;
FIG. 2 is a left side plan view of the bathtub, the right side view being the mirror image thereof;
FIG. 3 is a front plan view of the bathtub;
FIG. 4 is a perspective view of the bathtub, showing the front and left side;
FIG. 5 is a further perspective view of the bathtub, showing the front and left side from a slightly higher position than FIG. 4;
FIG. 6 is a further perspective view of the bathtub, showing the front and left side;
FIG. 7 is a further perspective view of the bathtub, showing the top and left side; and,
FIG. 8 is a further perspective view of the bathtub, showing the back and left side.

1 Claim, 6 Drawing Sheets



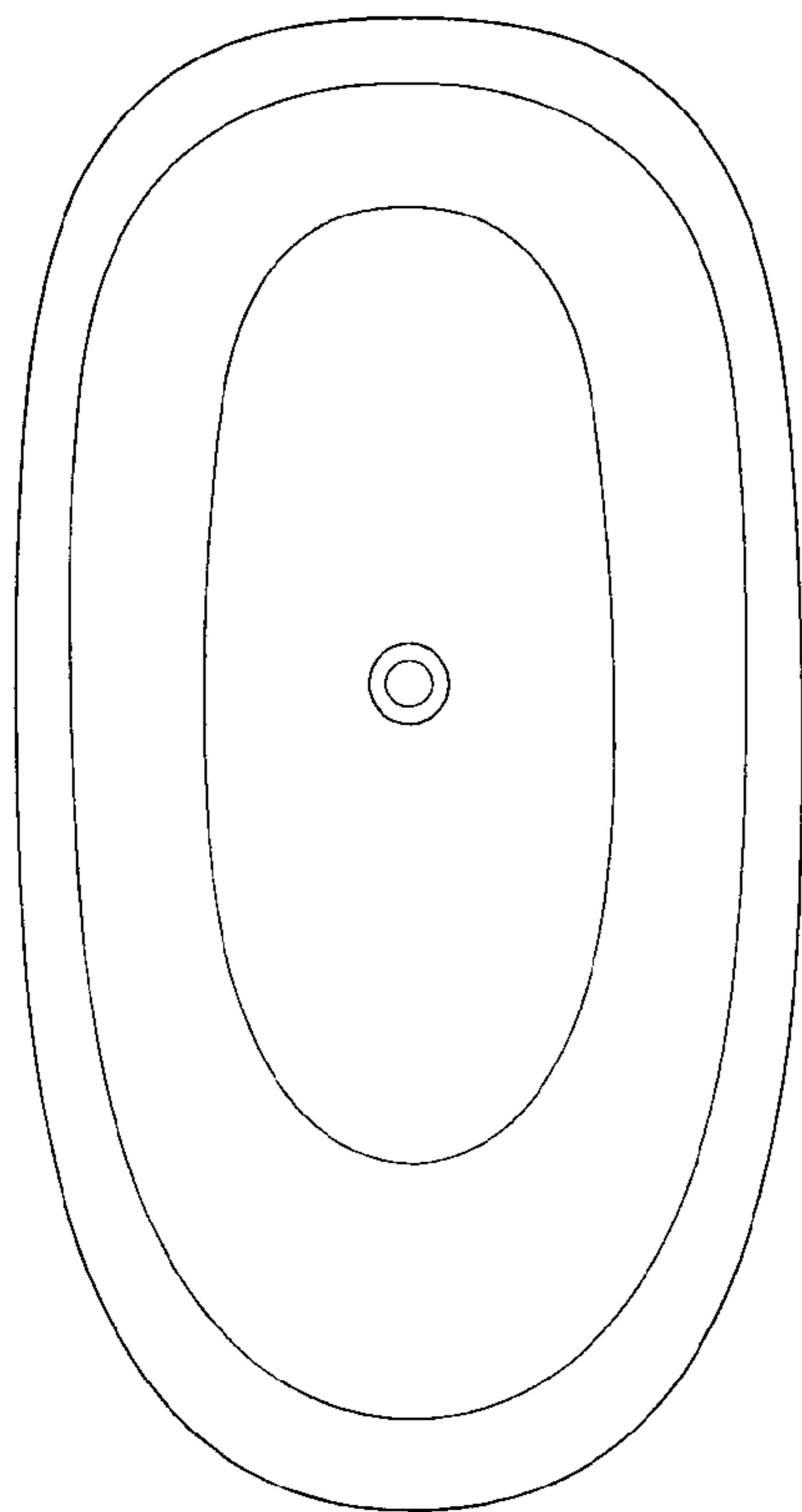


Fig. 1

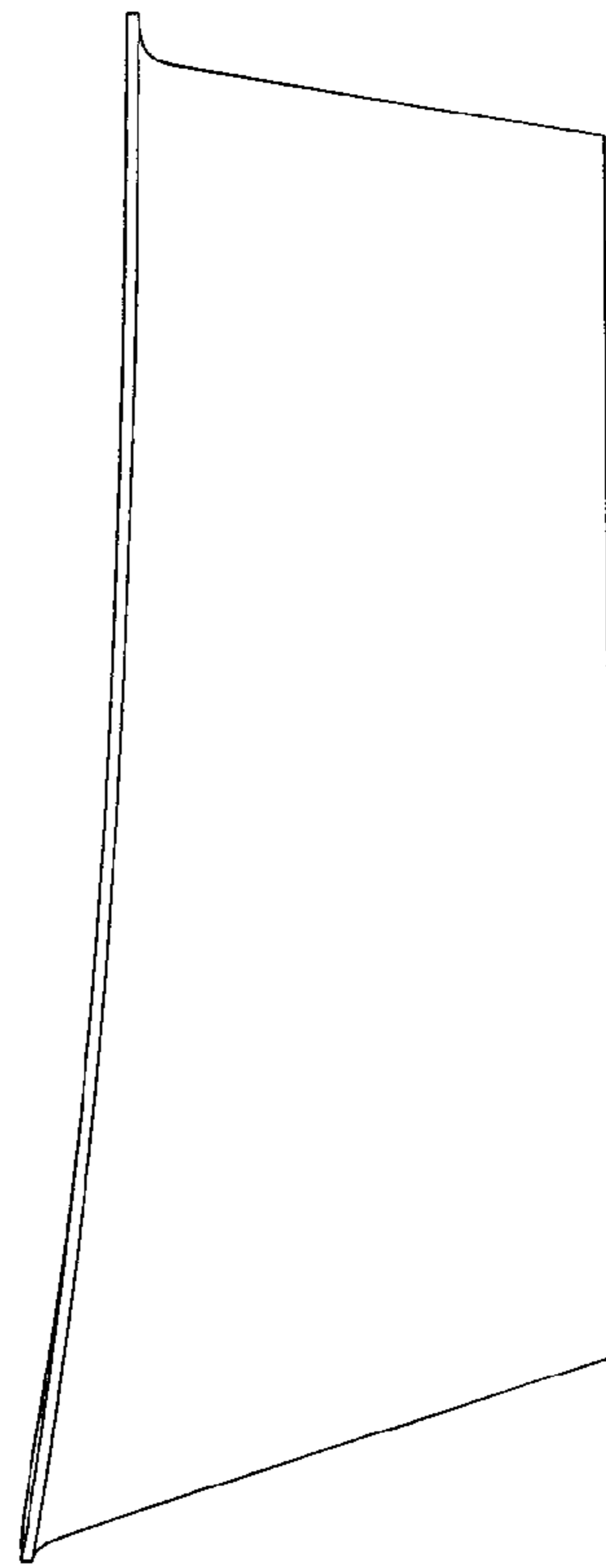


Fig. 2

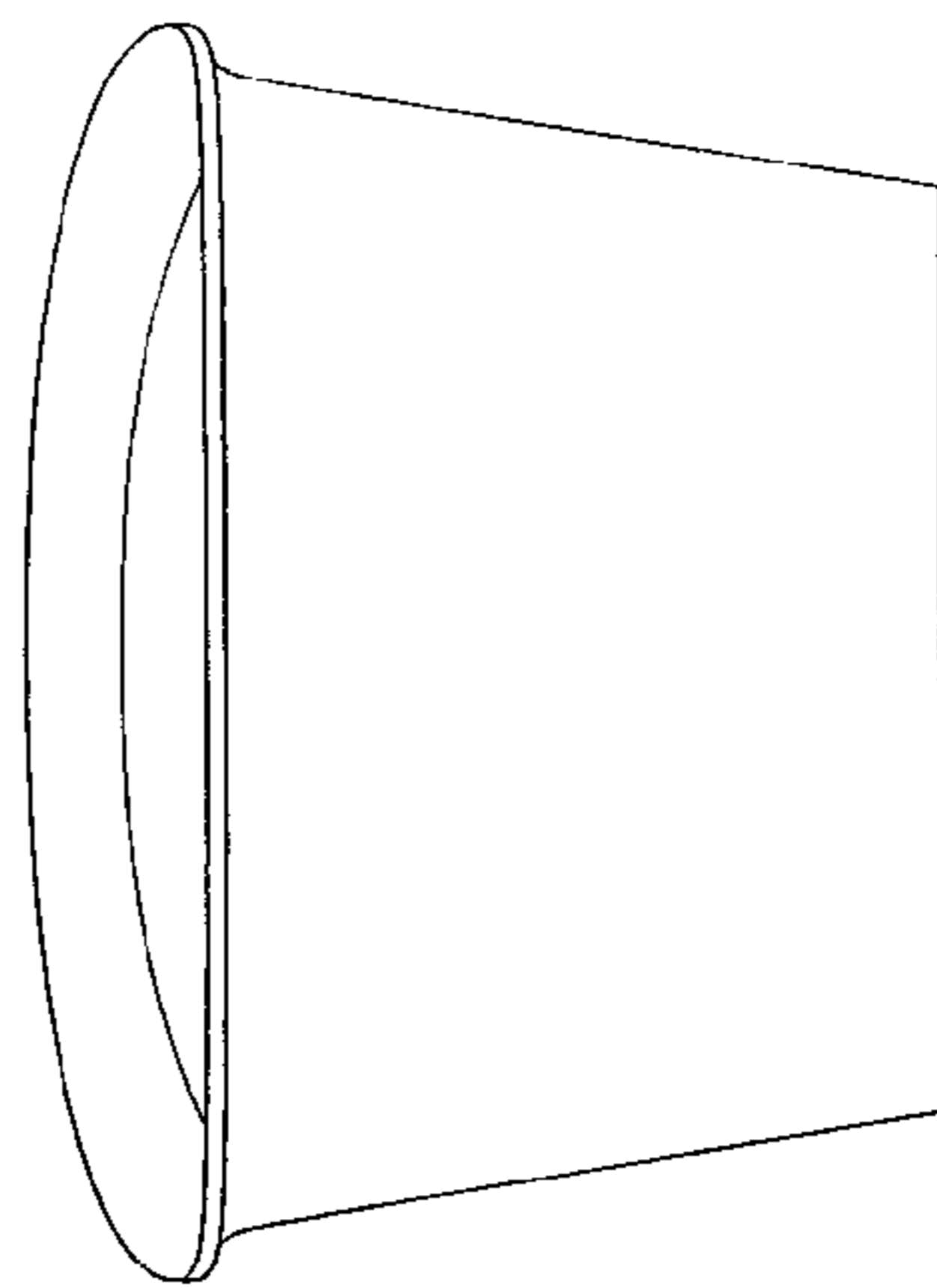


Fig. 3

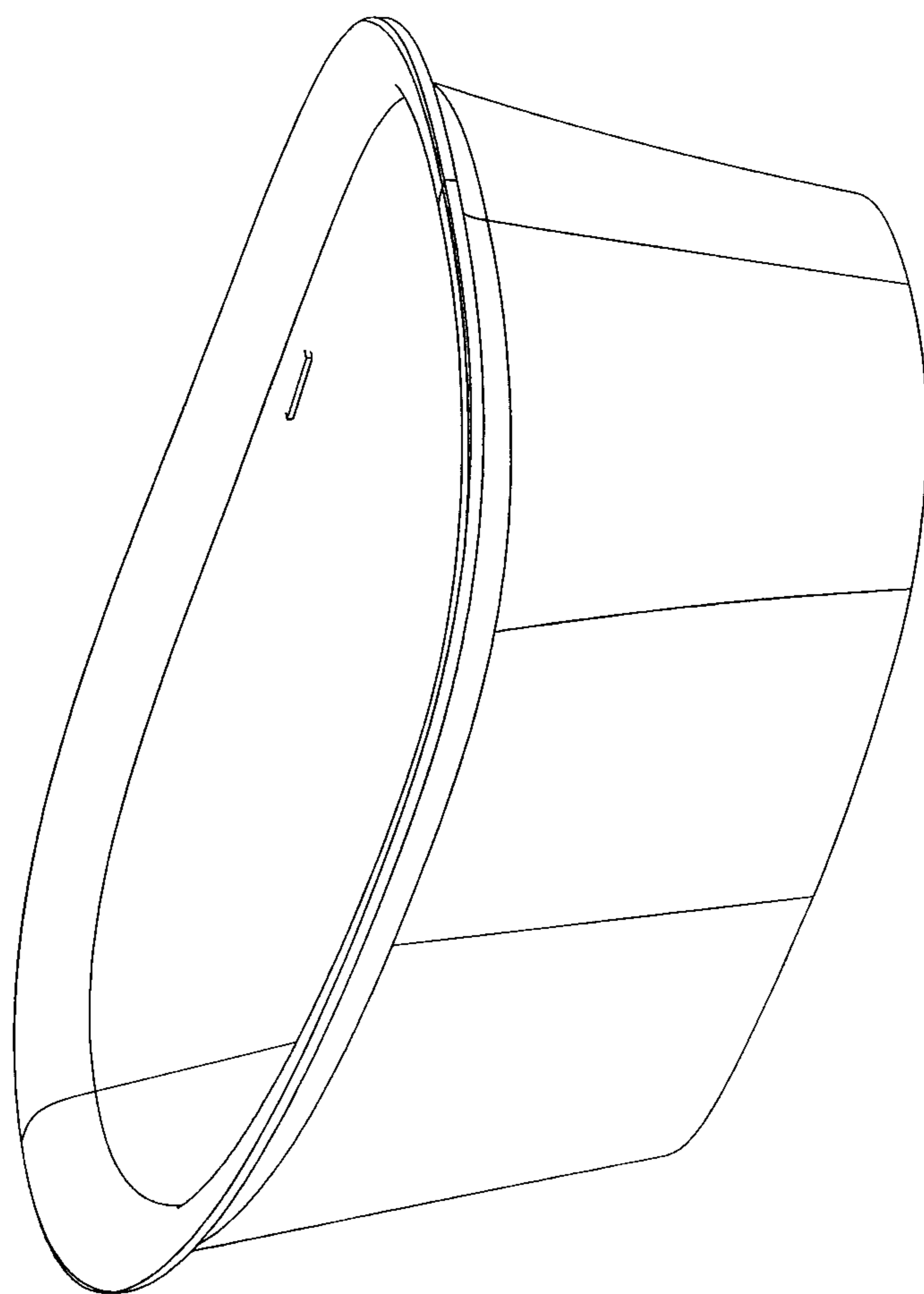


Fig. 4

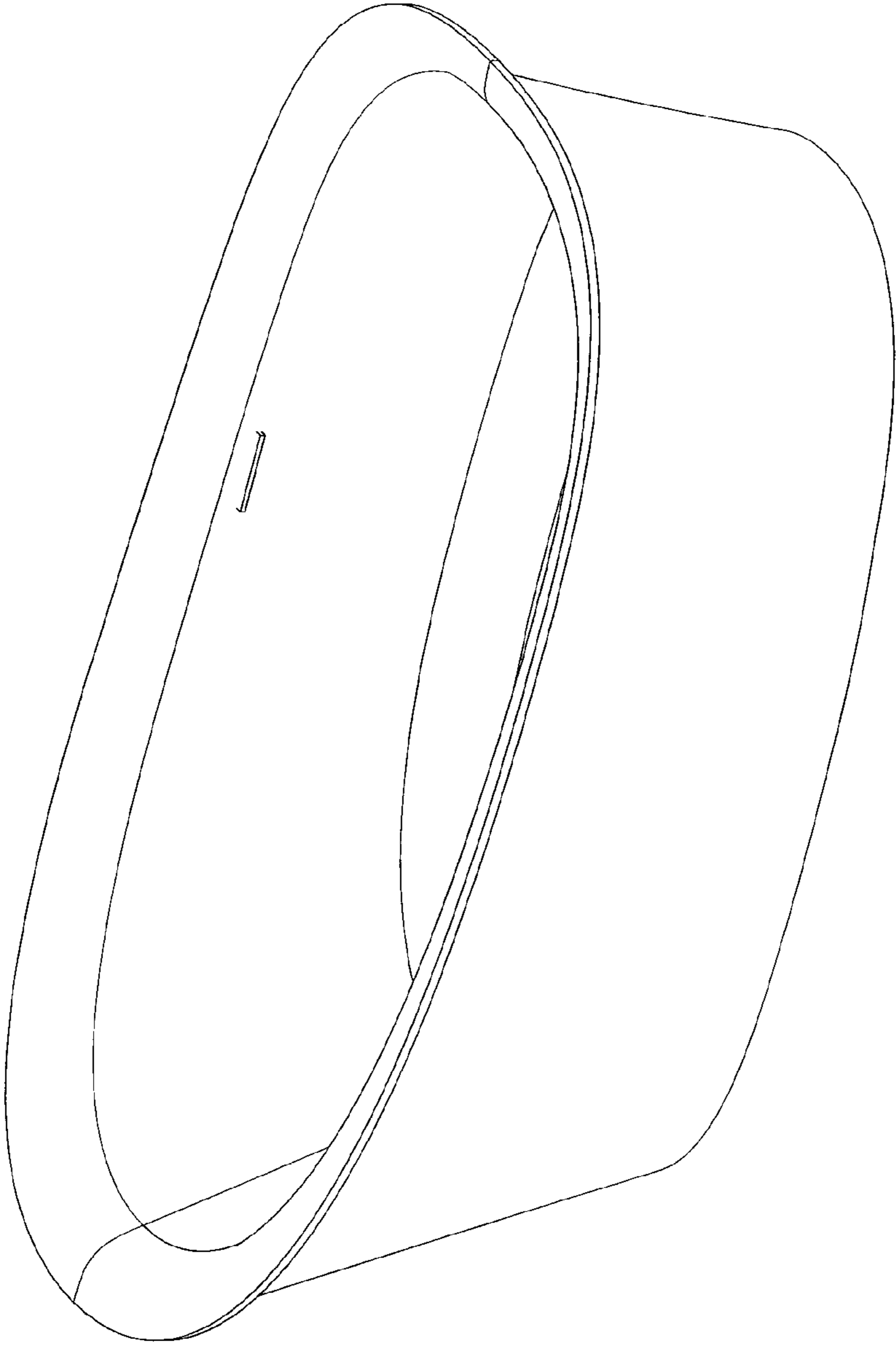


Fig. 5

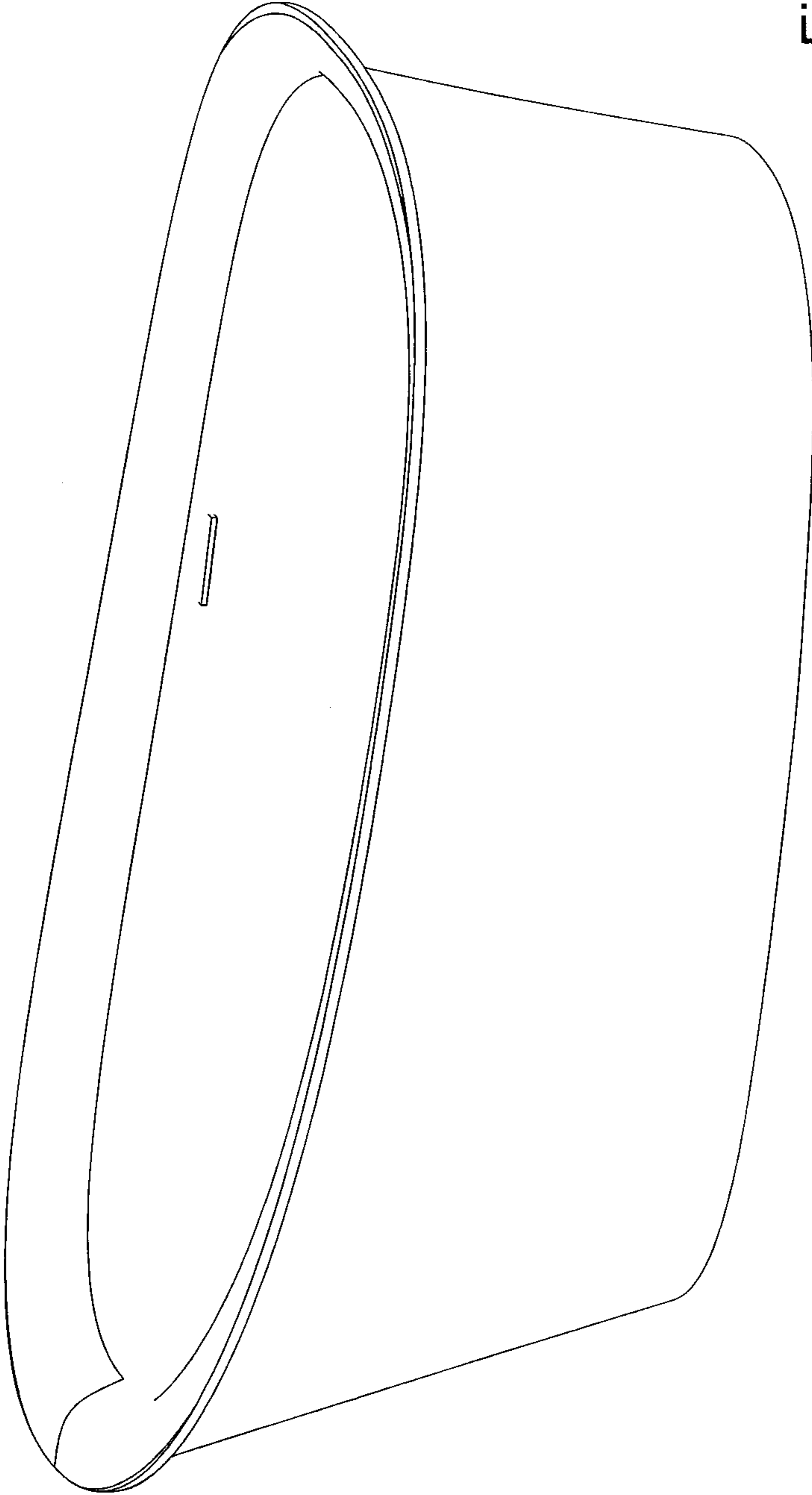


Fig. 6

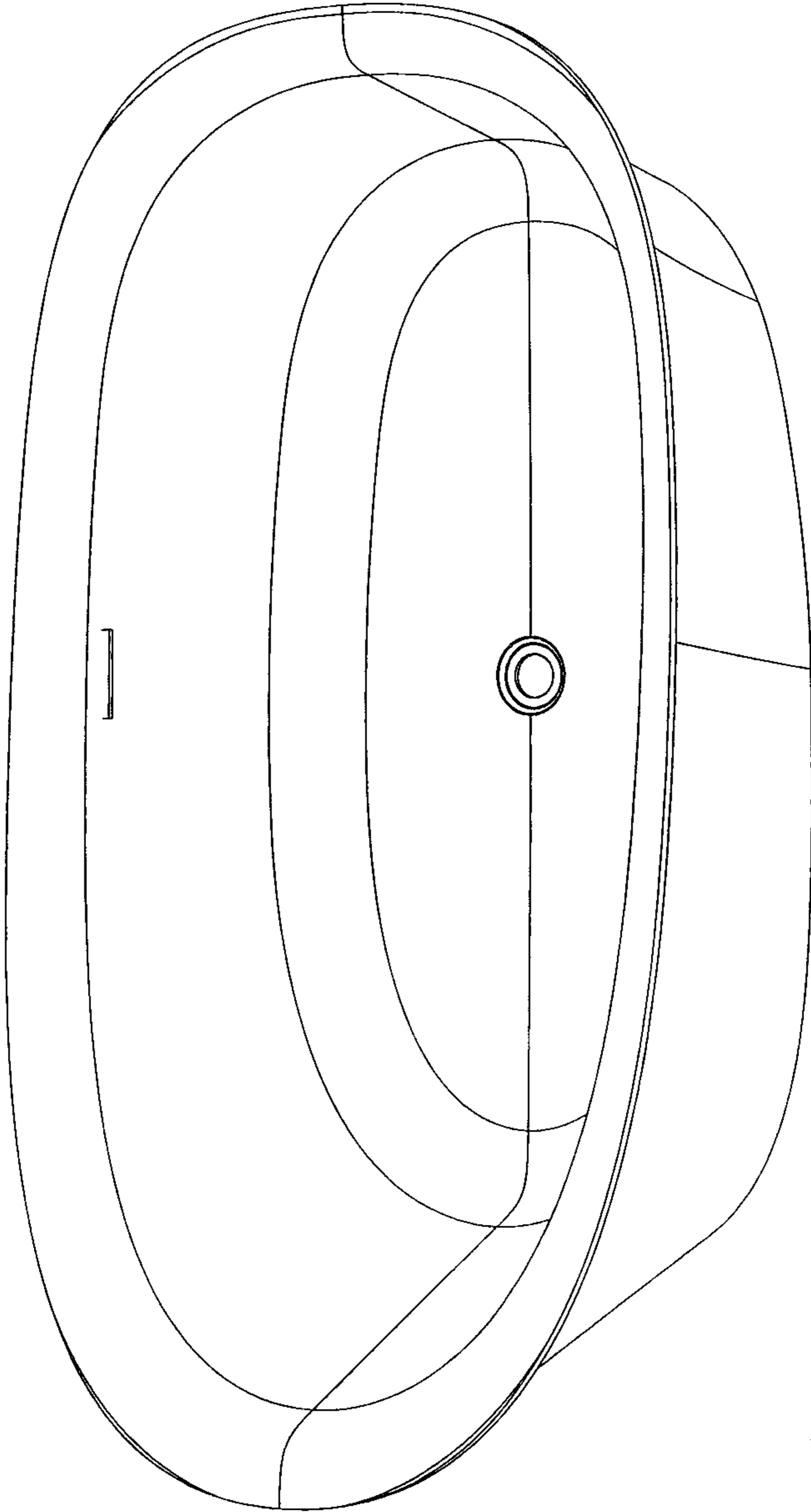


Fig. 7

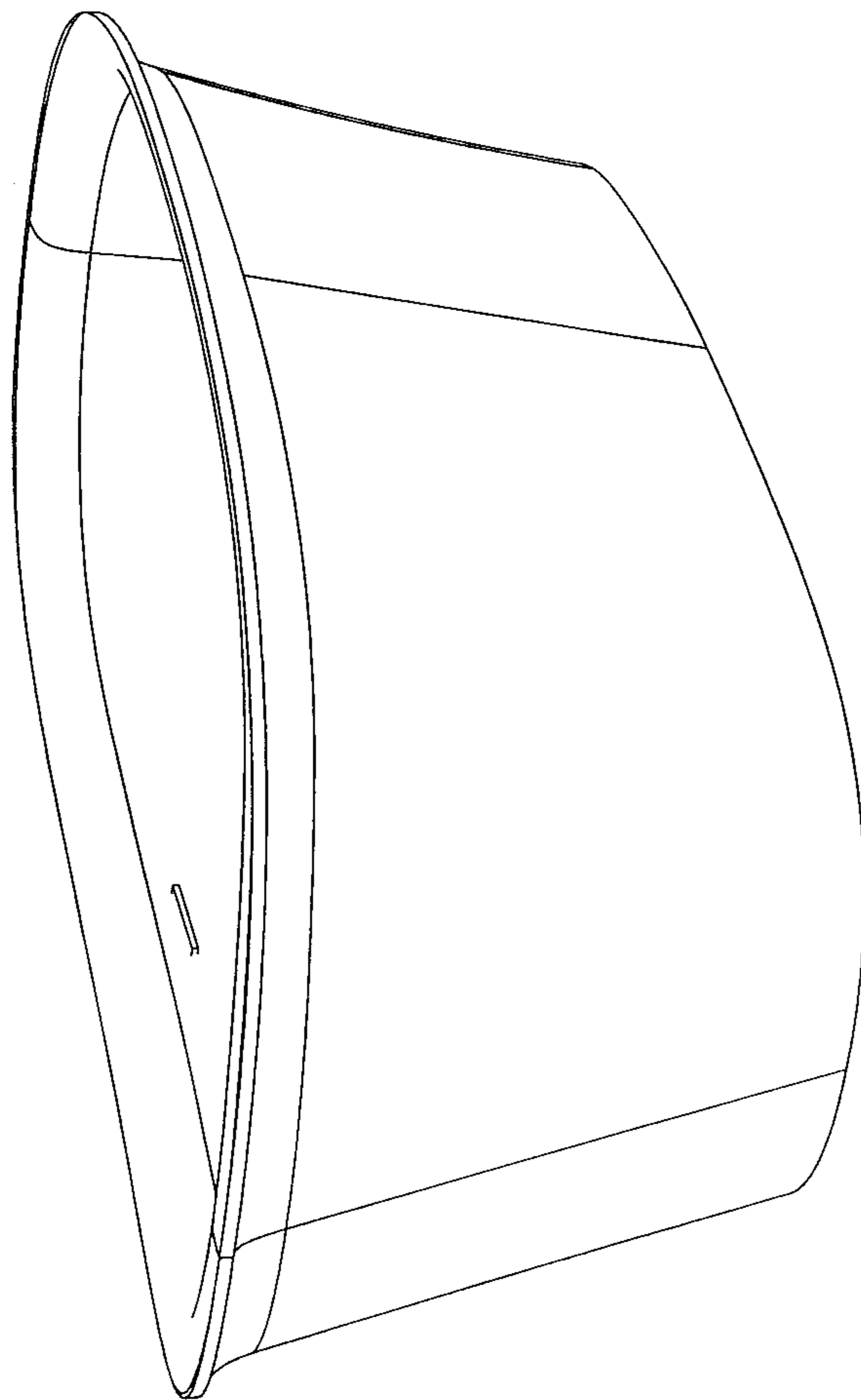


Fig. 8