



US00D709596S

(12) **United States Design Patent**
Miles et al.

(10) **Patent No.:** **US D709,596 S**
(45) **Date of Patent:** **** Jul. 22, 2014**

(54) **AUXILIARY FAUCET**

(71) Applicant: **Access Business Group International LLC**, Ada, MI (US)

(72) Inventors: **Michael E. Miles**, Grand Rapids, MI (US); **Terry L. Lautzenheiser**, Nunica, MI (US); **Karen J. Vanderkooi**, Walkerville, MI (US); **Shangfu Ma**, Xiamen (CN); **Stephen Carl Reif**, Tarpon Springs, FL (US)

(73) Assignee: **Access Business Group International LLC**, Ada, MI (US)

(**) Term: **14 Years**

(21) Appl. No.: **29/482,708**

(22) Filed: **Feb. 21, 2014**

(51) **LOC (10) Cl.** **23-01**

(52) **U.S. Cl.**
USPC **D23/238**

(58) **Field of Classification Search**
CPC E03C 1/04; E03C 1/0401; E03C 1/0404; E03C 1/0415
USPC D23/238-243, 249-250, 252, 254-255, D23/257; 4/675-678; 137/801
See application file for complete search history.

(56) **References Cited**

U.S. PATENT DOCUMENTS

D281,095 S 10/1985 Arnold et al.
D281,096 S 10/1985 Arnold et al.

(Continued)

FOREIGN PATENT DOCUMENTS

CN 3377904 7/2004
CN 3443060 4/2005

(Continued)

OTHER PUBLICATIONS

Hidrotek (Chinese corp.) website www.hidrotek.cn.

(Continued)

Primary Examiner — Robert Delehanty

(74) *Attorney, Agent, or Firm* — Warner Norcross & Judd LLP

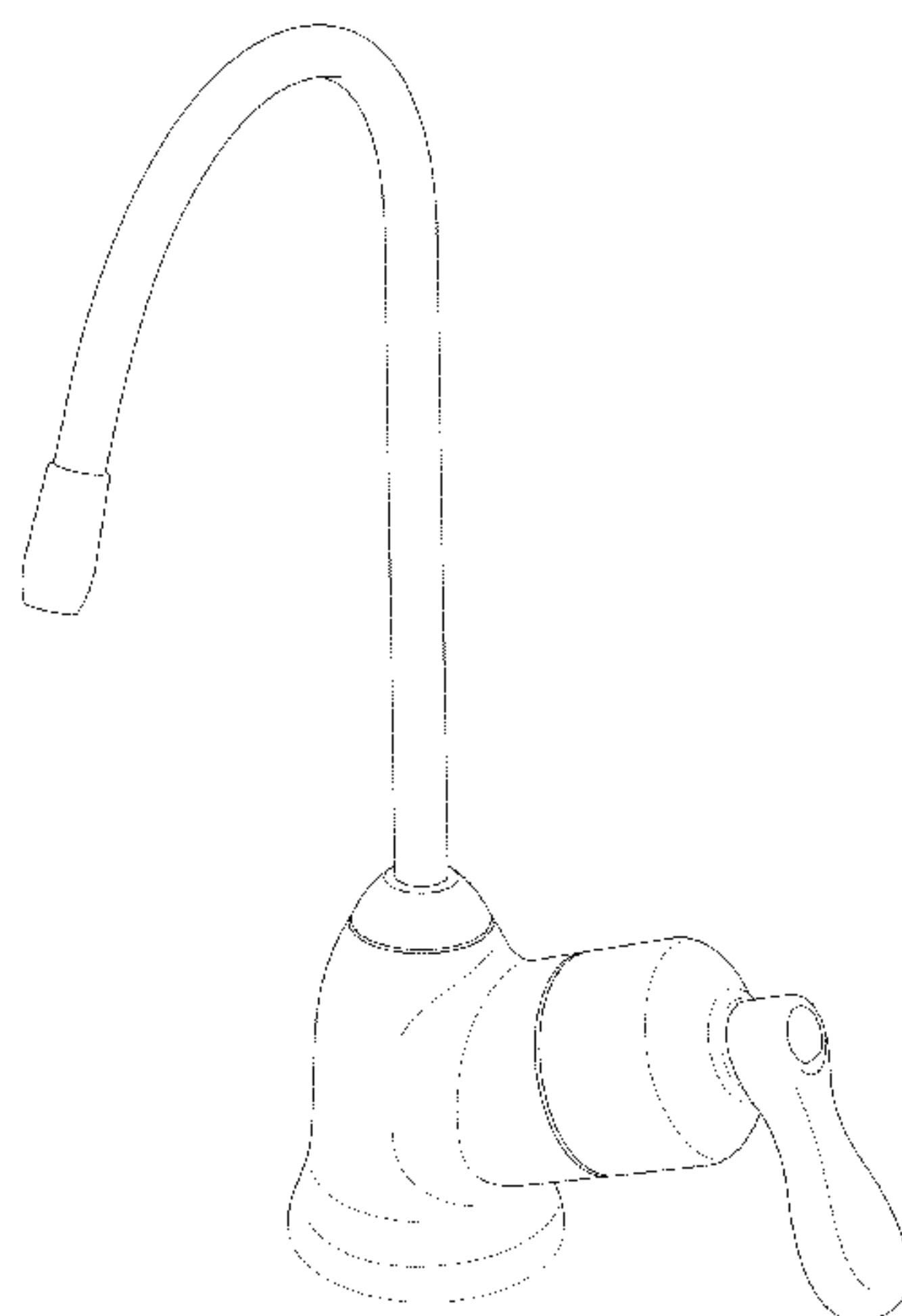
(57) **CLAIM**

The ornamental design for an auxiliary faucet, as shown and described.

DESCRIPTION

FIG. 1 is a top, right, front perspective view of an auxiliary faucet;
FIG. 2 is a right side view thereof;
FIG. 3 is a left side view thereof;
FIG. 4 is a front view thereof;
FIG. 5 is a rear view thereof;
FIG. 6 is a top plan view thereof; and
FIG. 7 is a bottom plan view thereof.
FIG. 8A is a top, right, front perspective view of an alternative embodiment of the auxiliary faucet;
FIG. 8B is an enlarged view of a portion of FIG. 8A;
FIG. 9A is a right side view thereof;
FIG. 9B is an enlarged view of a portion of FIG. 9A;
FIG. 10 is a left side view thereof;
FIG. 11 is a front view thereof;
FIG. 12 is a rear view thereof;
FIG. 13A is a top plan view thereof;
FIG. 13B is an enlarged view of a portion of FIG. 13A; and,
FIG. 14 is a bottom plan view thereof.
FIGS. 1-5, 7-8A, 9A, 10-12 and 14 show portions of the auxiliary faucet in broken lines.
The broken line portions are shown for environmental purposes and form no part of the claimed design. The broken line segments immediately adjacent the solid line portions of the design define the boundary of the design, but do not themselves form part of the claimed design.

1 Claim, 14 Drawing Sheets



(56)

References Cited

U.S. PATENT DOCUMENTS

D327,731 S * 7/1992 Kajpust et al. D23/238
 D328,782 S * 8/1992 Paterson et al. D23/238
 D364,213 S 11/1995 Dannenberg et al.
 D415,560 S * 10/1999 Lindholm D23/238
 D428,965 S 8/2000 Slothower
 D437,394 S 2/2001 Mark et al.
 D438,285 S * 2/2001 Baghera et al. D23/238
 D438,935 S 3/2001 Mark et al.
 D441,836 S 5/2001 Mark et al.
 D443,337 S 6/2001 Mark et al.
 D444,212 S 6/2001 Fleischmann
 D460,150 S 7/2002 Rexach
 D463,529 S 9/2002 Dretzka
 D463,530 S 9/2002 Dretzka
 D468,398 S 1/2003 Ziemann
 D470,224 S 2/2003 Hanna
 D472,961 S 4/2003 Ziemann
 D479,310 S 9/2003 Ziemann
 D479,870 S * 9/2003 Hung D23/241
 D487,798 S 3/2004 Bayer
 D488,210 S 4/2004 Lord
 D499,795 S 12/2004 Bayer
 D511,560 S 11/2005 Kulig et al.
 D513,788 S 1/2006 Lindholm
 D514,665 S 2/2006 Lindholm
 D517,166 S 3/2006 Chu
 D517,652 S 3/2006 Egli et al.
 D521,109 S 5/2006 Lord
 D522,091 S * 5/2006 Chang D23/238
 D526,389 S 8/2006 Lammell
 D527,075 S 8/2006 Wood et al.
 D532,483 S 11/2006 Lobermeier et al.
 D532,868 S 11/2006 Spangler et al.
 D532,869 S 11/2006 Lobermeier et al.
 D534,246 S 12/2006 Chu et al.
 D534,621 S 1/2007 Chu et al.
 D537,146 S 2/2007 Hanna
 D538,402 S 3/2007 Lammell et al.
 D539,870 S 4/2007 Lammell et al.
 D539,871 S 4/2007 Hanna
 D540,434 S 4/2007 Chu et al.
 D540,911 S 4/2007 Citterio
 D544,945 S 6/2007 Wood et al.
 D550,330 S 9/2007 Mullenmeister
 D564,075 S 3/2008 Williams
 D566,811 S 4/2008 Zhang
 D567,909 S 4/2008 Schonherr
 D571,438 S 6/2008 Gilbert
 D571,893 S 6/2008 Celli
 D575,375 S 8/2008 Williams
 D575,848 S 8/2008 Kirar
 D585,112 S 1/2009 Kohler, Jr. et al.
 D585,963 S 2/2009 Byrne
 D594,934 S 6/2009 Vu et al.
 D602,568 S 10/2009 Kwok
 D603,021 S 10/2009 Roy
 D607,544 S 1/2010 Roy
 D608,417 S 1/2010 Rubin et al.
 D609,780 S 2/2010 Fritz et al.
 D610,653 S 2/2010 Schoenherr et al.
 D611,124 S 3/2010 Schoenherr et al.
 D612,015 S 3/2010 Lammell et al.
 D620,558 S 7/2010 Krumpe
 D621,005 S 8/2010 Bouroullec et al.

D624,158 S 9/2010 Roy
 D625,391 S 10/2010 Soriano
 D632,365 S 2/2011 Choi
 D636,852 S 4/2011 Yu
 D642,661 S 8/2011 Corbett
 D645,120 S 9/2011 Lammell
 D645,121 S 9/2011 Fritz
 D645,122 S 9/2011 Fritz
 D645,544 S 9/2011 Flowers et al.
 D645,937 S 9/2011 Sedwick
 D653,729 S 2/2012 Romero
 D653,730 S 2/2012 Bailey et al.
 D653,731 S 2/2012 Bailey
 D653,732 S 2/2012 Romero
 D658,744 S 5/2012 Starck
 D665,876 S 8/2012 Corbett
 D665,877 S 8/2012 Fritz
 D687,517 S 8/2013 Miles et al.

FOREIGN PATENT DOCUMENTS

CN 3589214 12/2006
 CN 300755065 3/2008
 CN 301005921 9/2009
 CN 301068013 11/2009
 CN 301157795 3/2010
 CN 301348590 9/2010
 CN 301376107 11/2010
 CN 301376137 11/2010
 CN 301419342 12/2010
 CN 301612289 7/2011
 CN 301612290 7/2011
 CN 301618219 7/2011
 CN 301660960 8/2011
 CN 301705061 10/2011
 CN 301709505 10/2011
 CN 301895622 4/2012
 CN 301915673 5/2012
 CN 301940942 5/2012
 CN 301999792 7/2012
 CN 302011504 7/2012
 CN 302011514 7/2012
 CN 302011587 7/2012
 CN 302021894 8/2012
 CN 302031611 8/2012
 CN 302035473 8/2012
 DM 056615 1/2001
 EP D001982539-0001 1/2012
 GB 2083505 5/1999
 KR 30367728 4/2004
 KR 30506086 4/2008
 TW 574009 1/2004
 TW D104818 5/2005
 TW D113235 10/2006
 TW D115234 1/2007
 TW D115235 1/2007
 TW D117825 6/2007
 TW D119766 11/2007
 TW D120292 12/2007
 TW D120677 12/2007
 TW D129232 6/2009
 TW D136219 8/2010

OTHER PUBLICATIONS

Elements of Design (U.S. corp.) website www.eodfaucet.com.

* cited by examiner

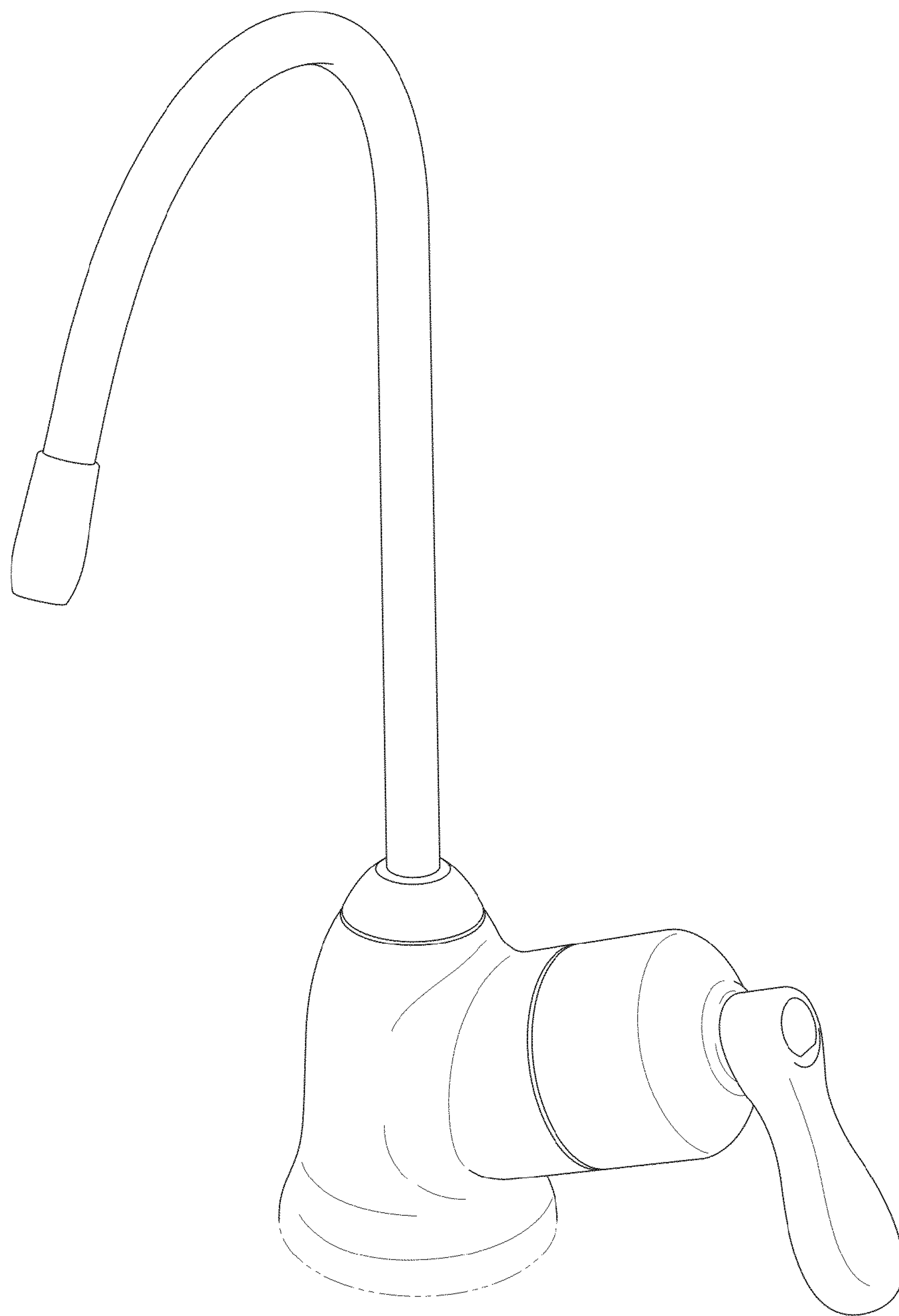


Fig. 1

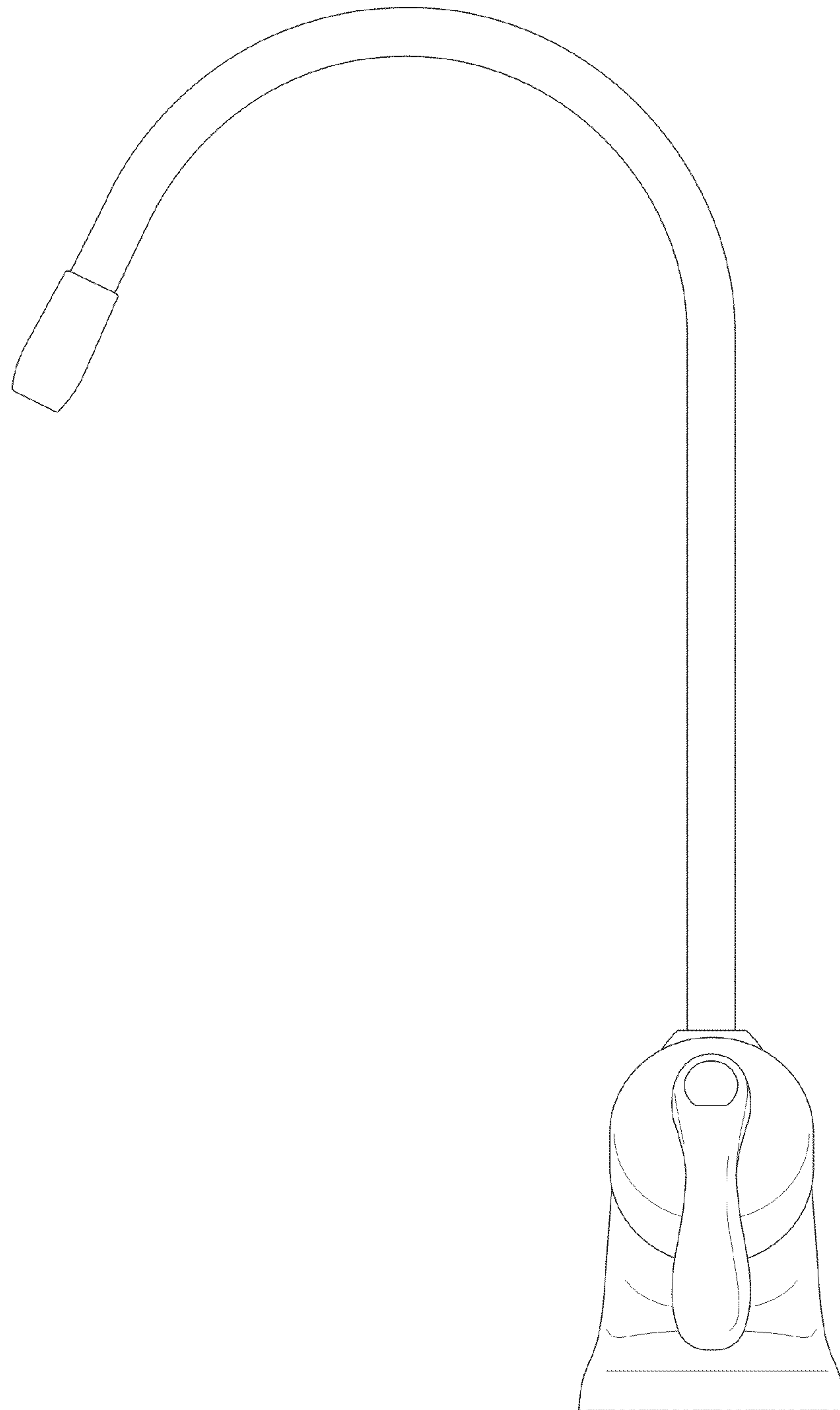


Fig. 2

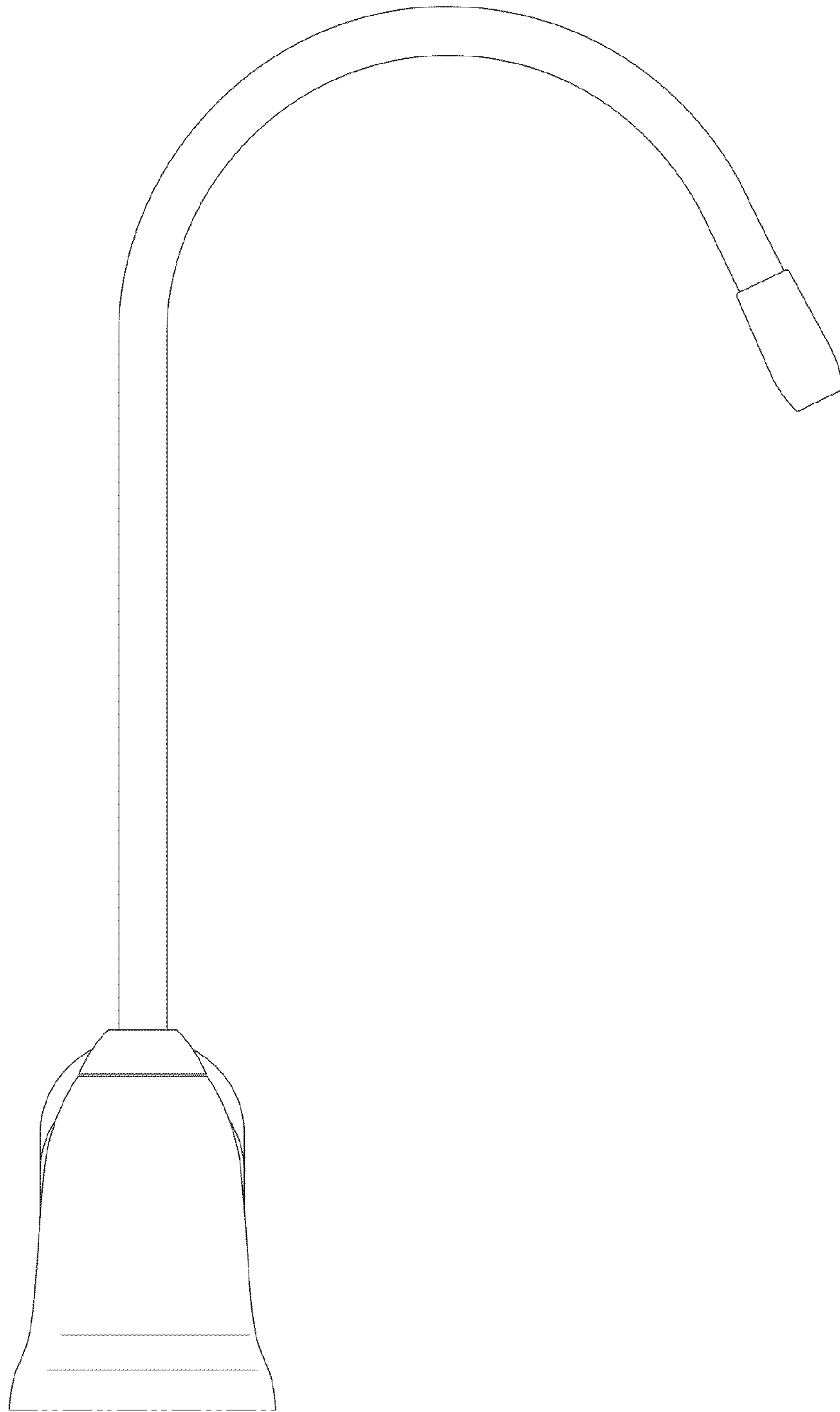


Fig. 3

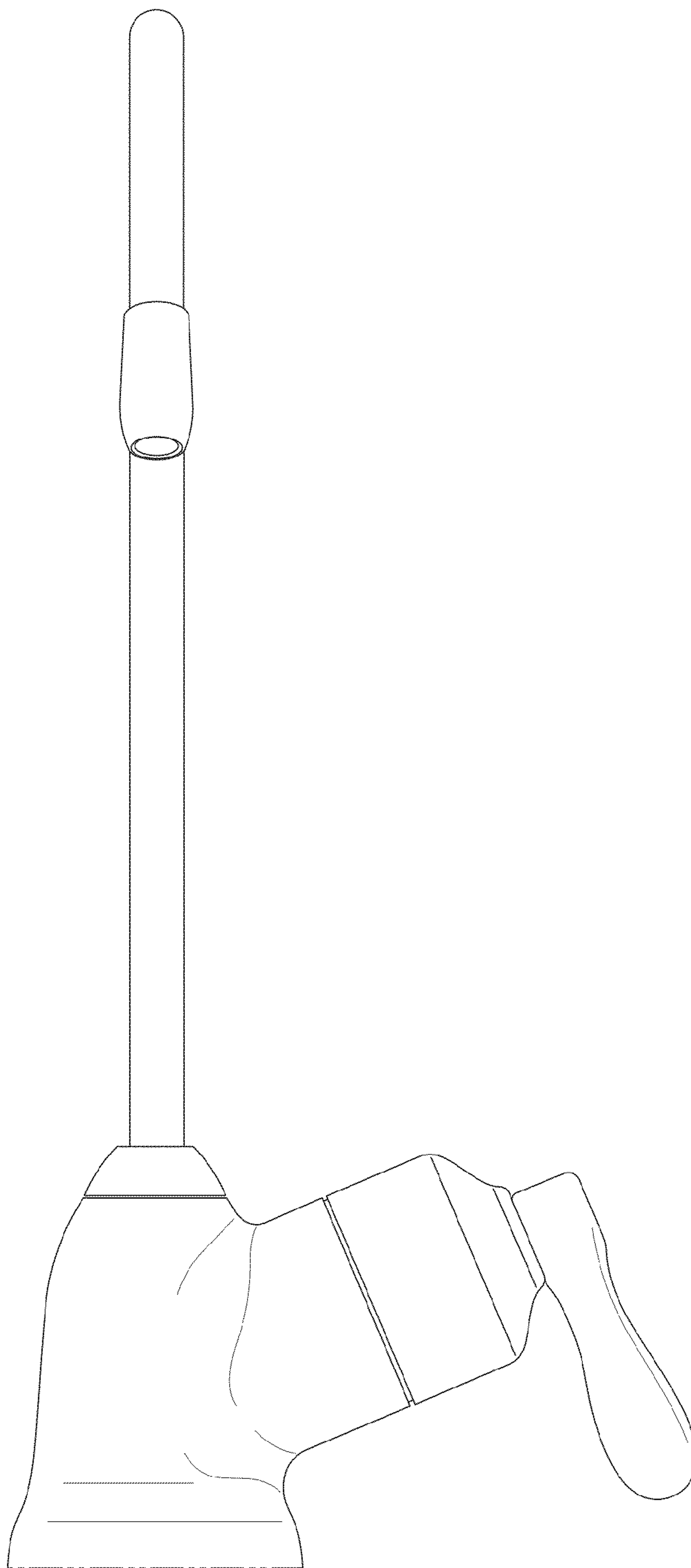


Fig. 4

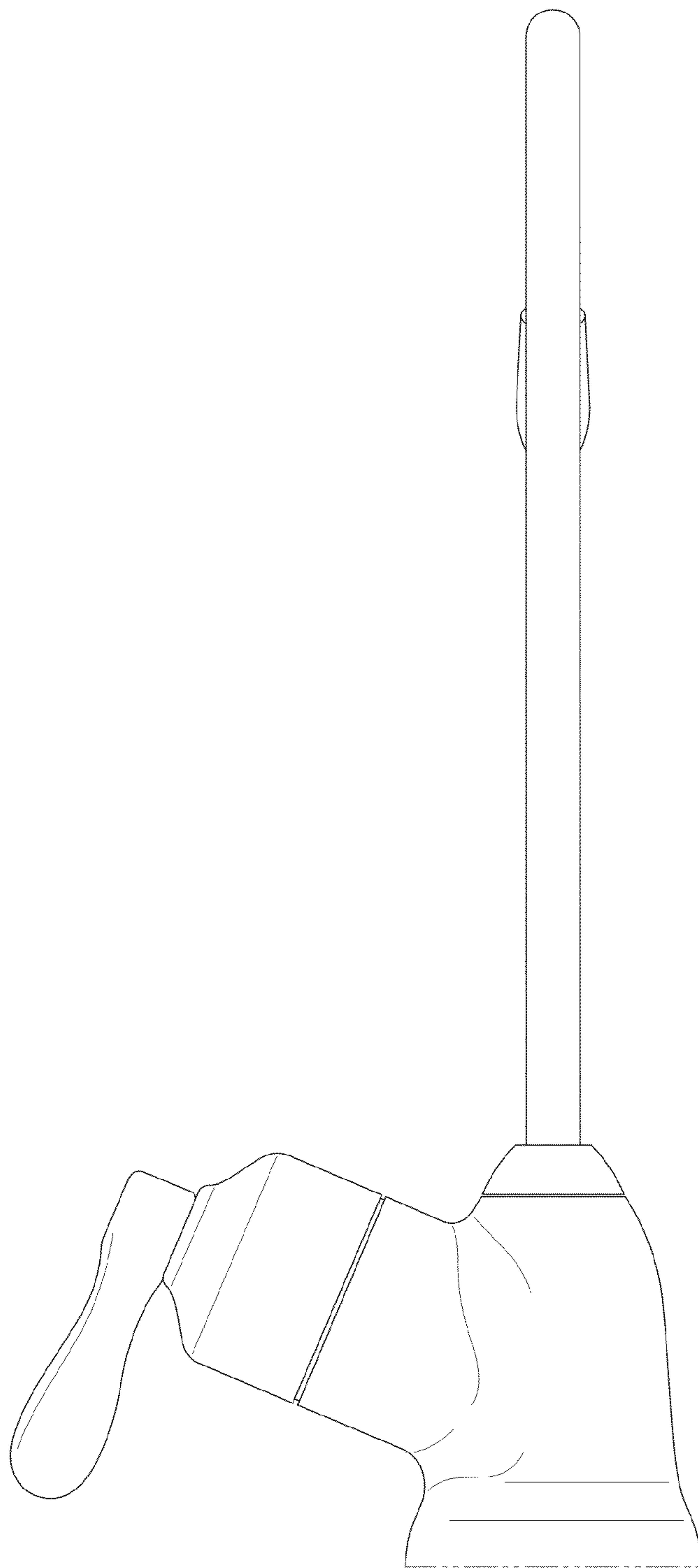


Fig. 5

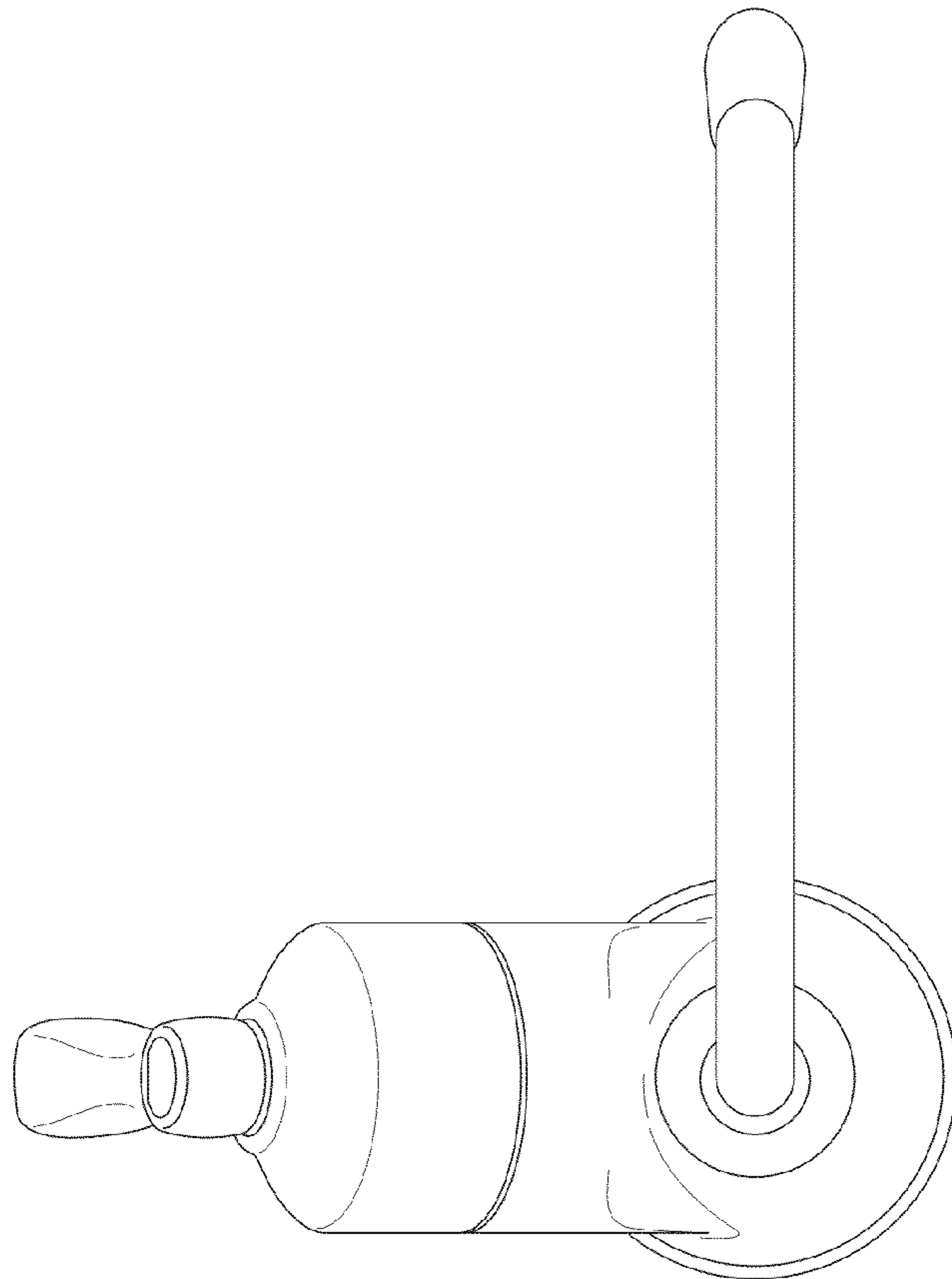


Fig. 6

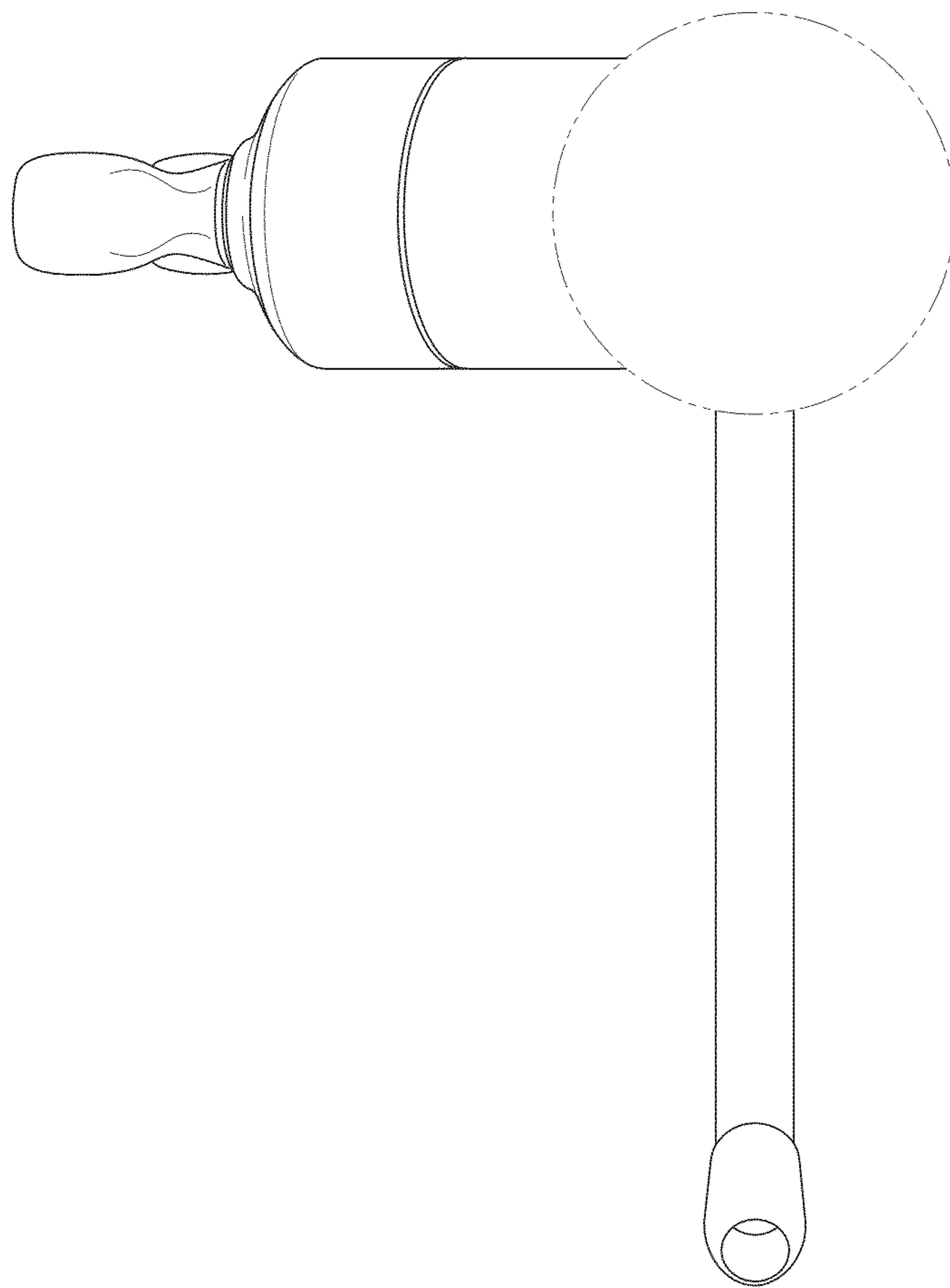


Fig. 7

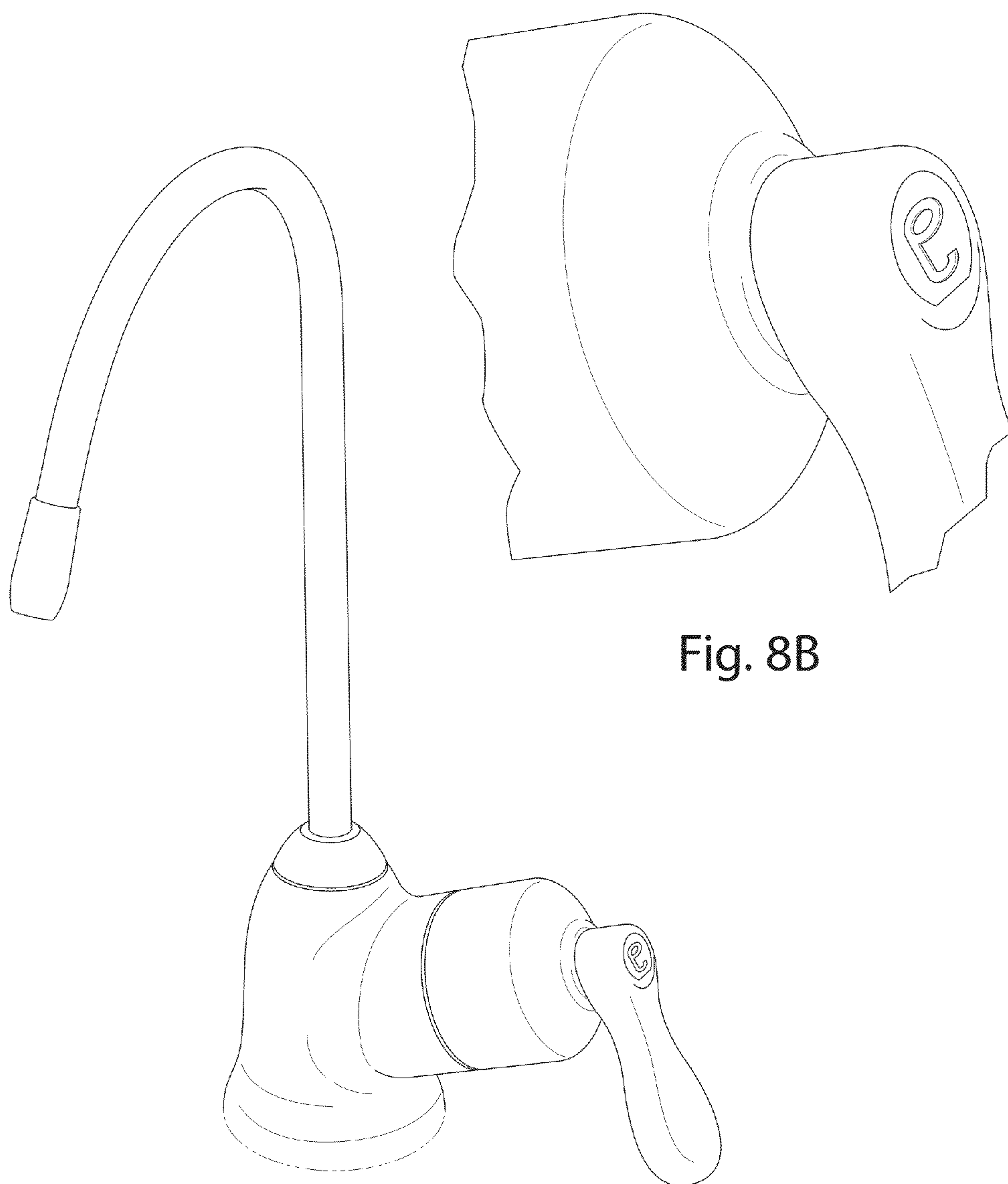


Fig. 8B

Fig. 8A

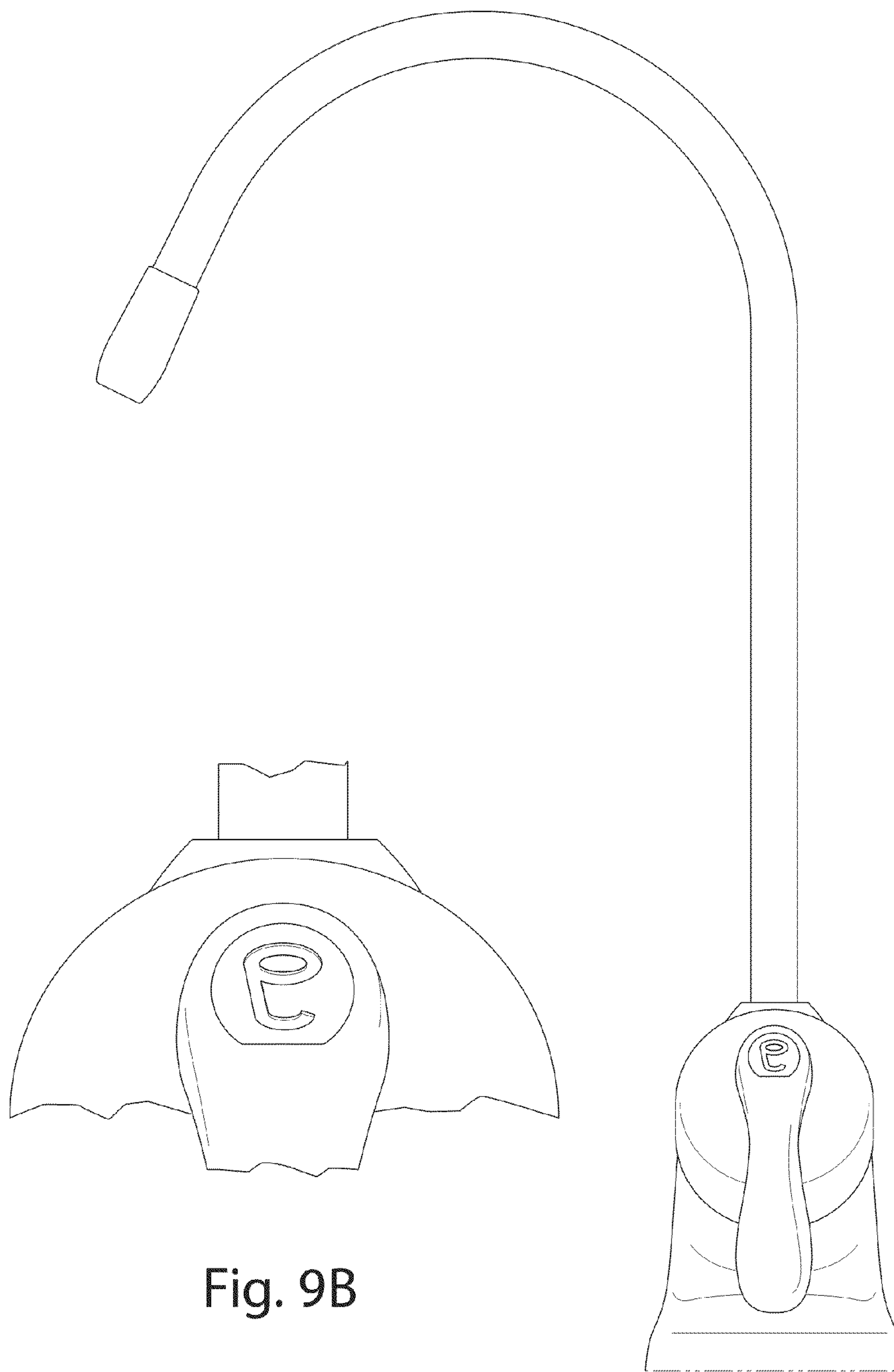


Fig. 9B

Fig. 9A

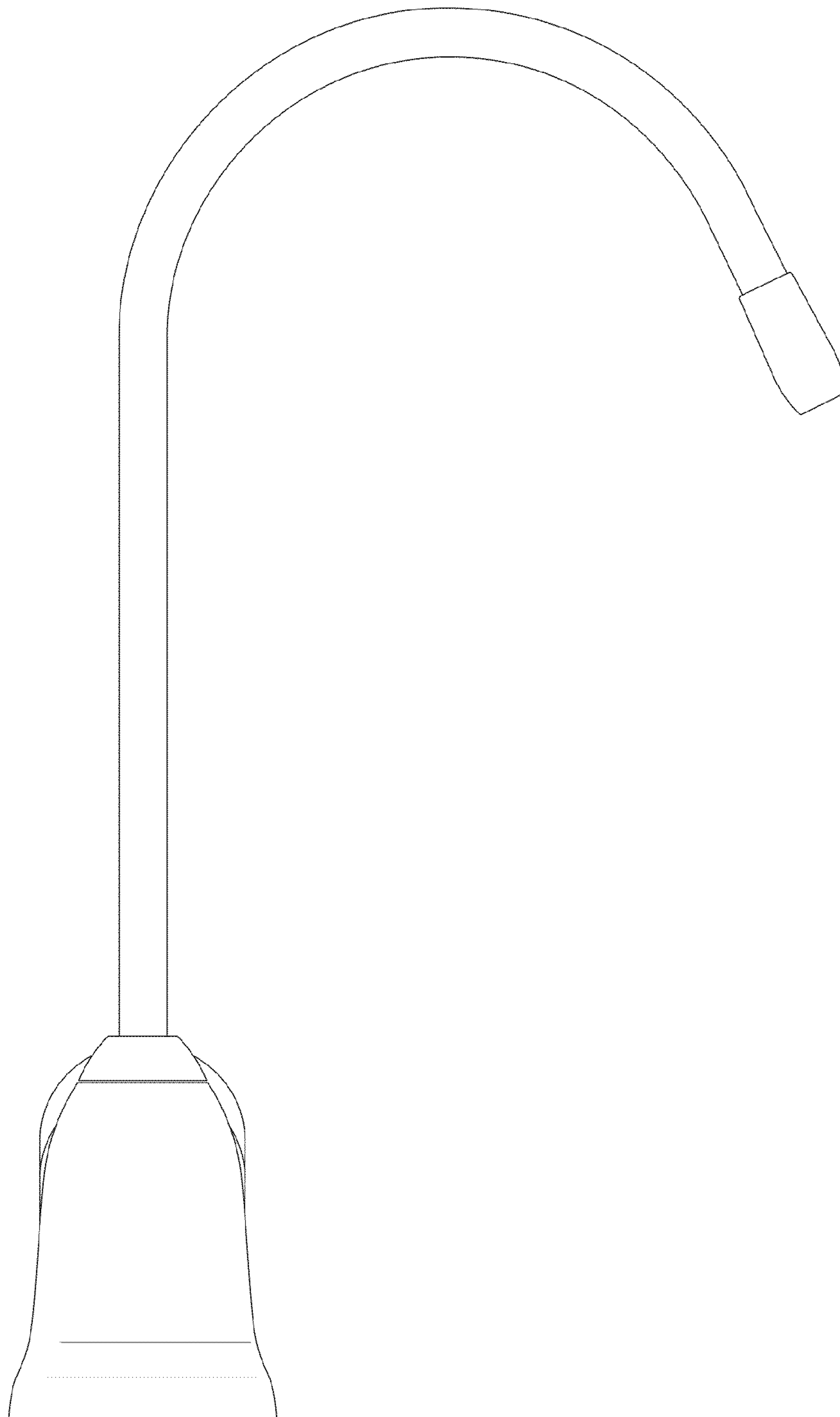


Fig. 10

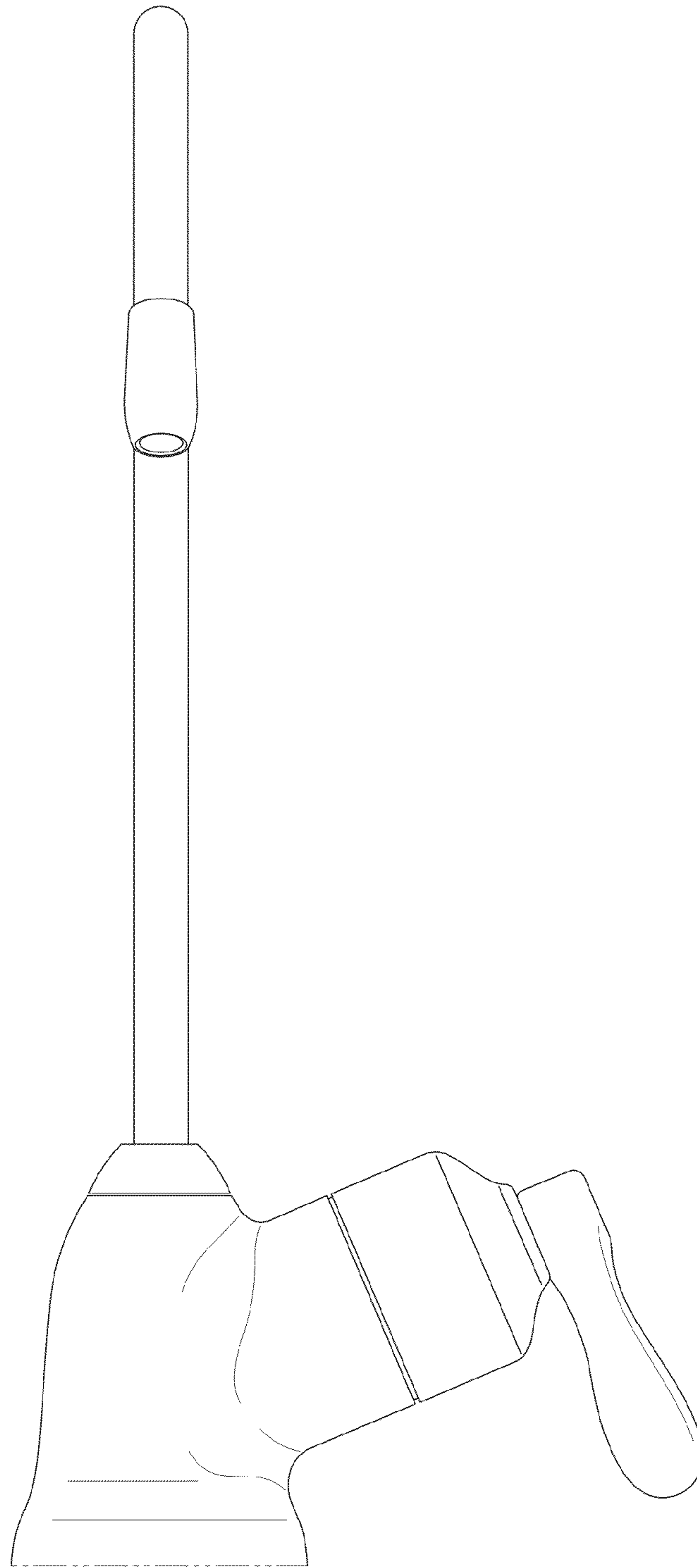


Fig. 11

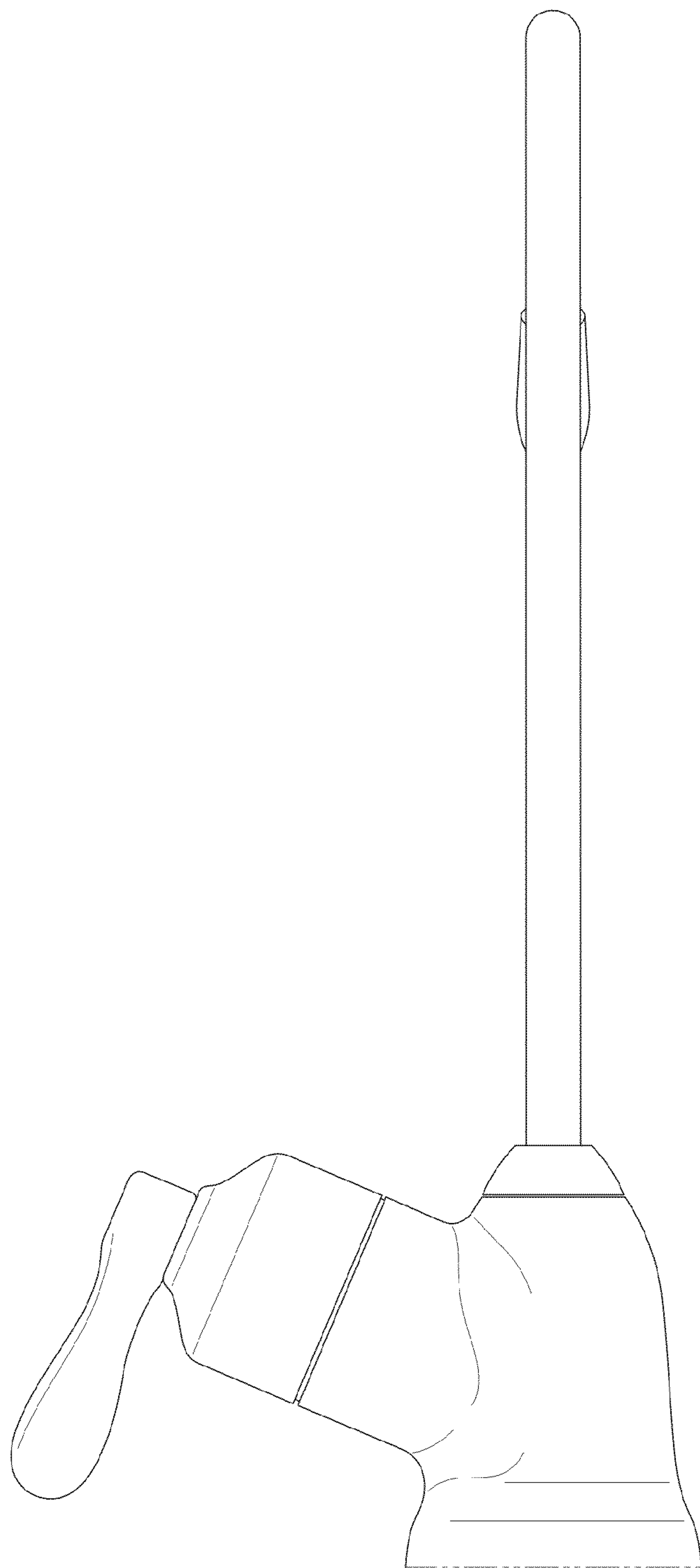


Fig. 12

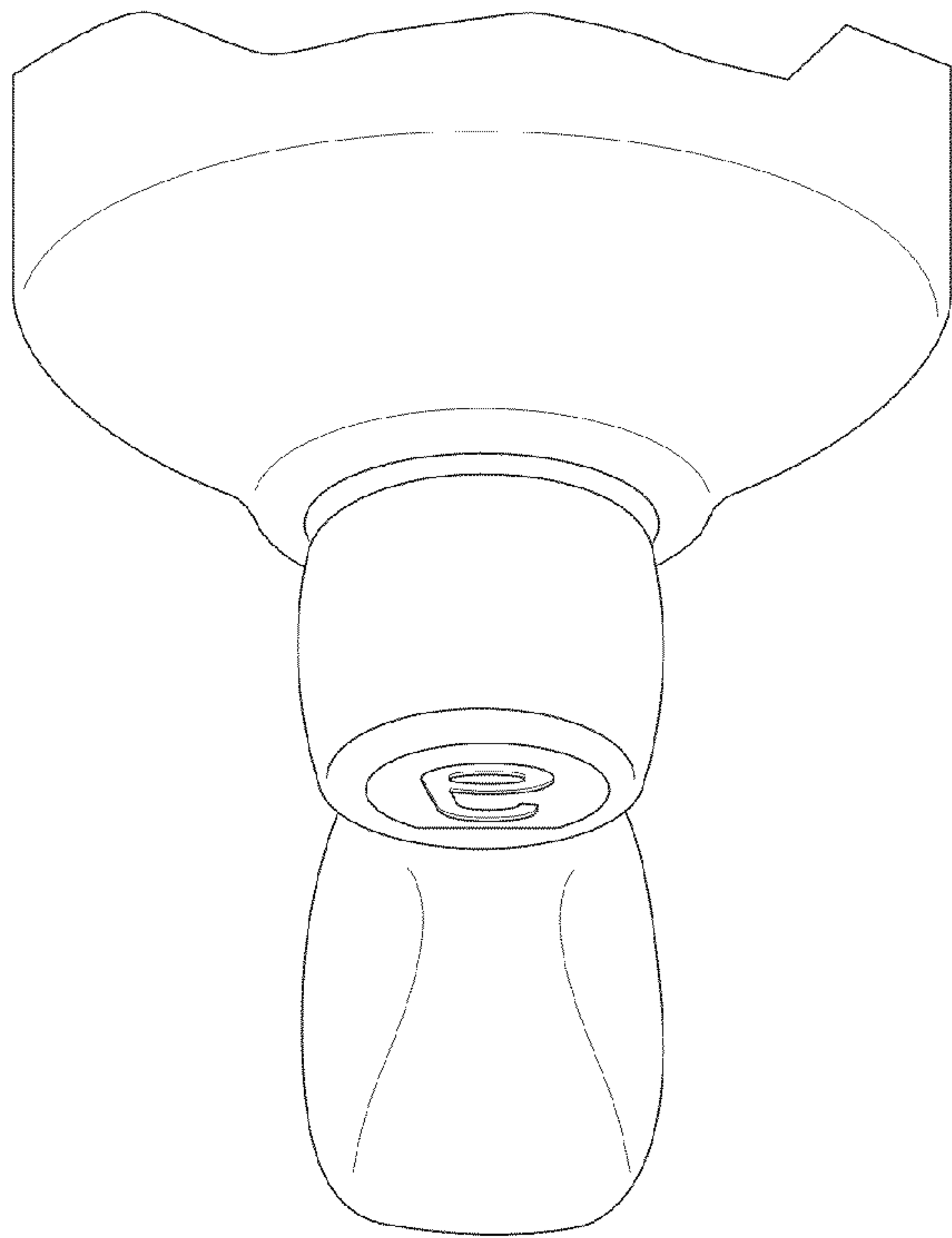


Fig. 13B

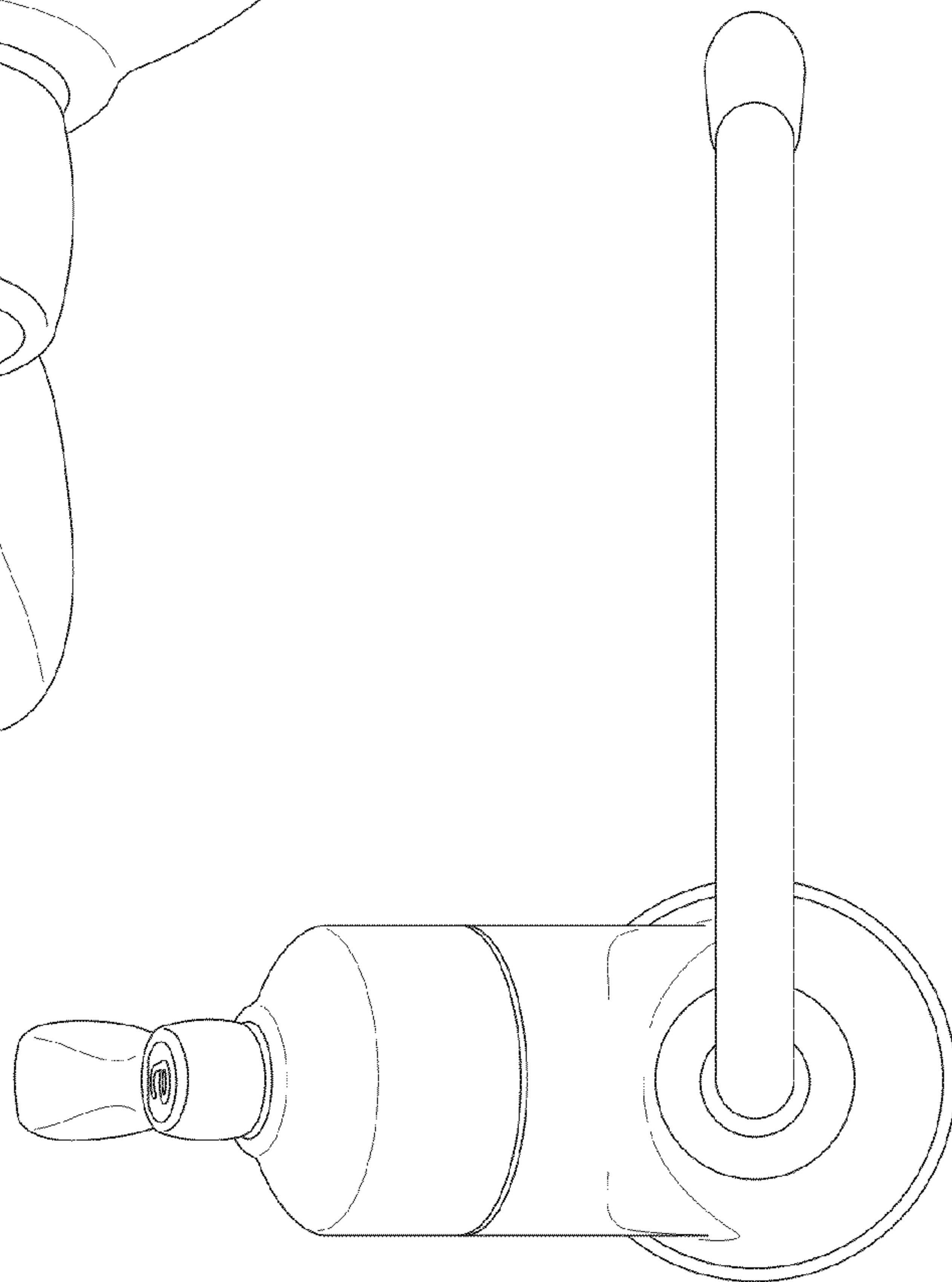


Fig. 13A

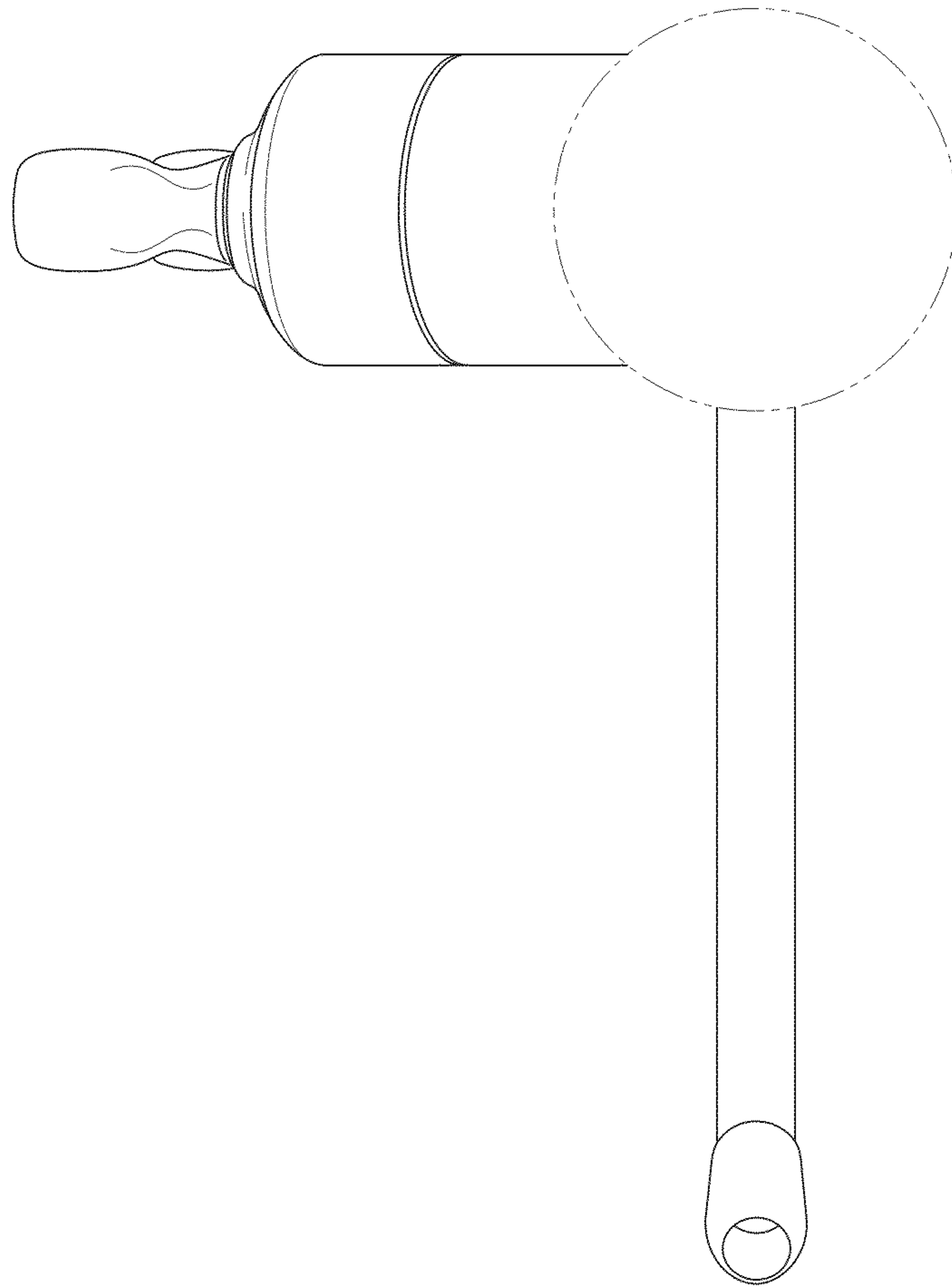


Fig. 14