



US00D709594S

(12) **United States Design Patent**  
**Yu**

(10) **Patent No.:** **US D709,594 S**  
(45) **Date of Patent:** **\*\* Jul. 22, 2014**

(54) **TAP**

(71) Applicant: **Ningbo Junshui Sanitary Wares Co., Ltd.**, Zhejiang (CN)

(72) Inventor: **Chenhua Yu**, Zhejiang (CN)

(73) Assignee: **Ningbo Junshui Sanitary Wares Co., Ltd.**, Ningbo (CN)

(\*\*) Term: **14 Years**

(21) Appl. No.: **29/470,996**

(22) Filed: **Oct. 27, 2013**

(30) **Foreign Application Priority Data**

Apr. 27, 2013 (CN) ..... 2013 3 0145823

(51) **LOC (10) Cl.** ..... **23-01**

(52) **U.S. Cl.**  
USPC ..... **D23/238**

(58) **Field of Classification Search**  
USPC ..... D23/238-243, 250, 254-255, 257, 249;  
4/675-678; 137/801

See application file for complete search history.

(56) **References Cited**

U.S. PATENT DOCUMENTS

D447,220	S	*	8/2001	Mullenmeister	.....	D23/238
D580,528	S	*	11/2008	Urquiola	.....	D23/255
D645,938	S	*	9/2011	Ando et al.	.....	D23/238
D657,026	S	*	4/2012	Berger et al.	.....	D23/255
D659,807	S	*	5/2012	Flowers et al.	.....	D23/255

\* cited by examiner

*Primary Examiner* — Robert Delehanty

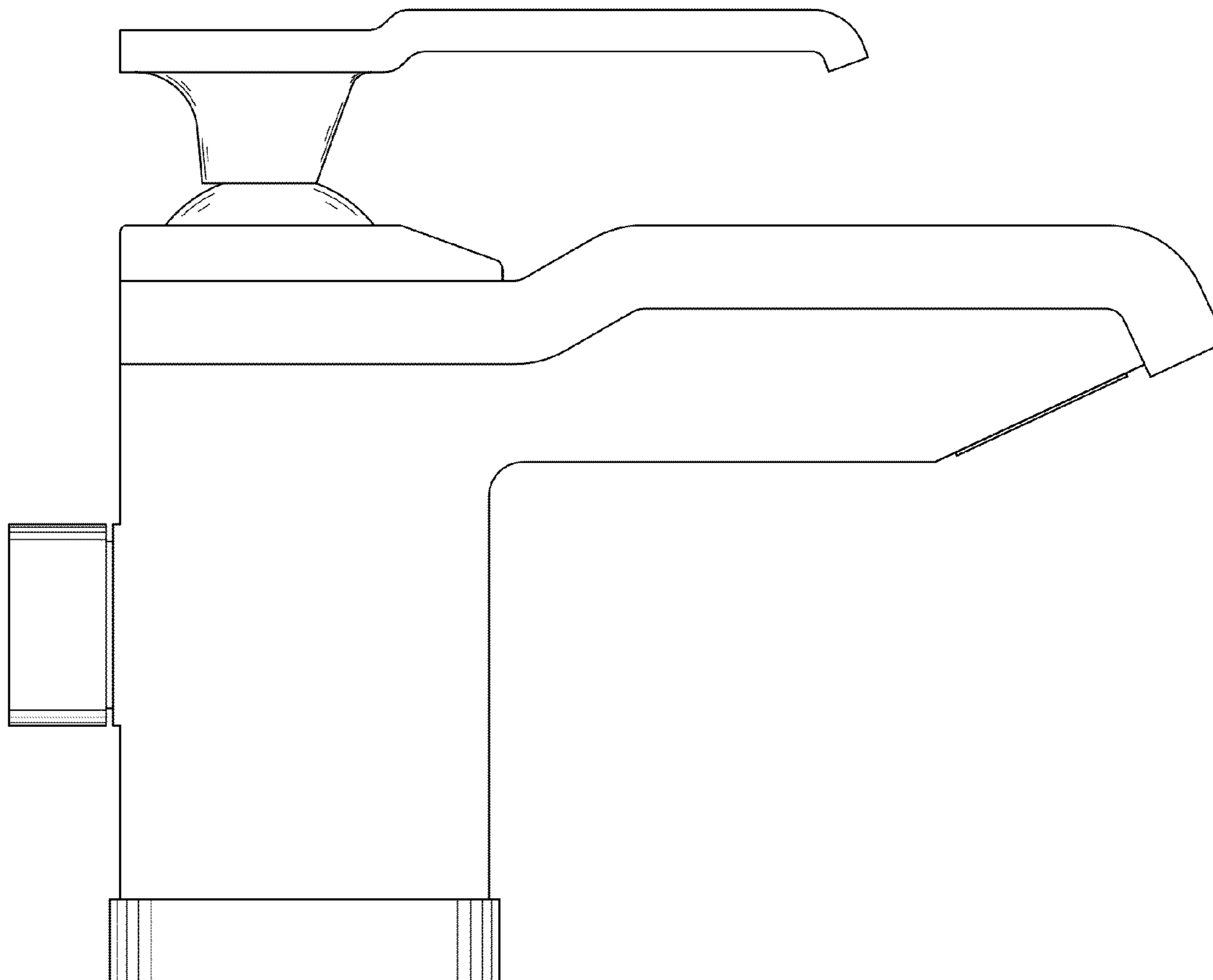
(57) **CLAIM**

The ornamental design for a tap, as shown and described.

**DESCRIPTION**

FIG. 1 is a side elevation view, the opposite side being a mirror image thereof, showing my new design; FIG. 2 is a rear elevation view thereof; FIG. 3 is a front elevation view thereof; FIG. 4 is a top plan view thereof; and, FIG. 5 is a bottom plan view thereof. The broken line portions of the drawings form no part of the claimed design.

**1 Claim, 4 Drawing Sheets**



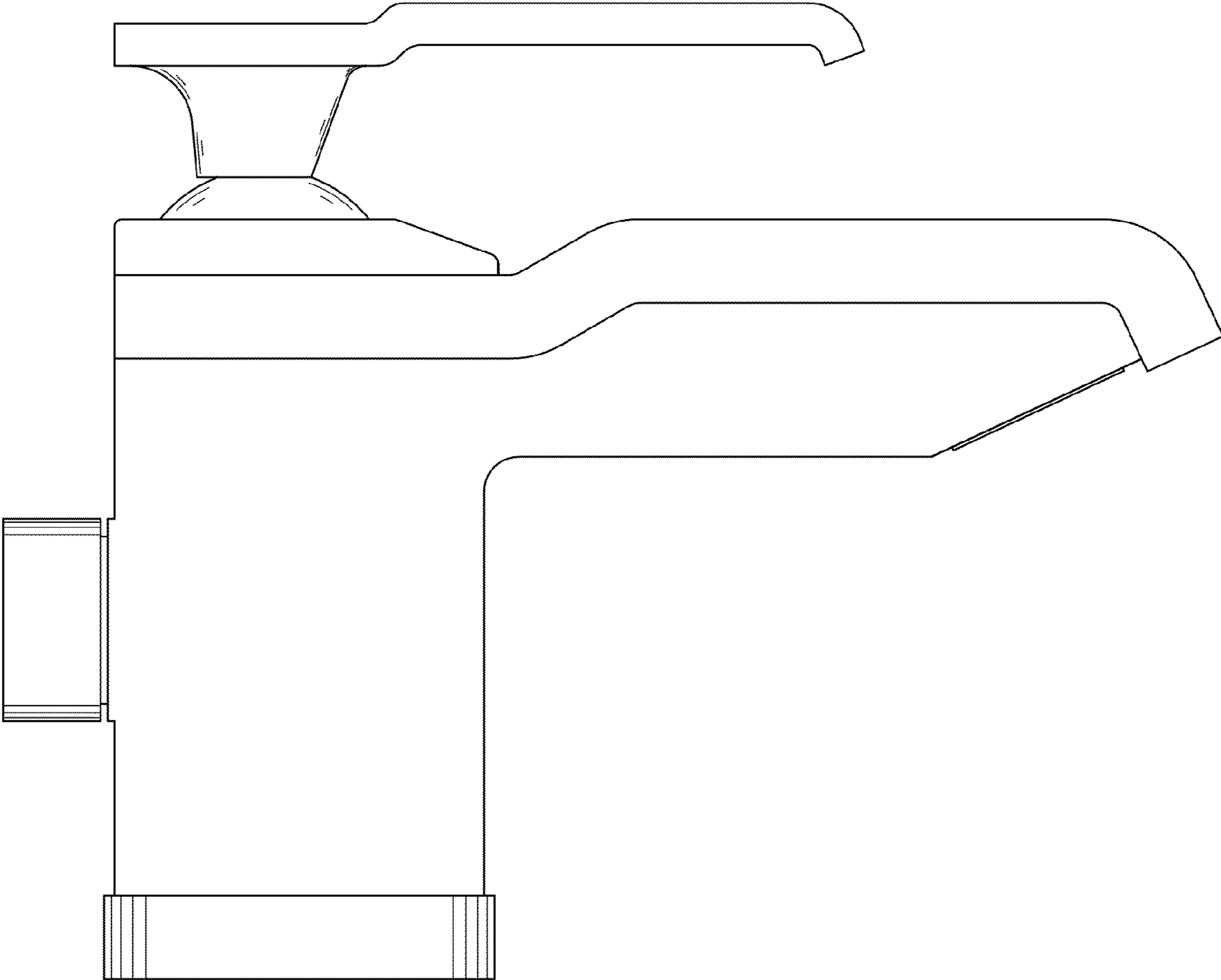


FIG.1

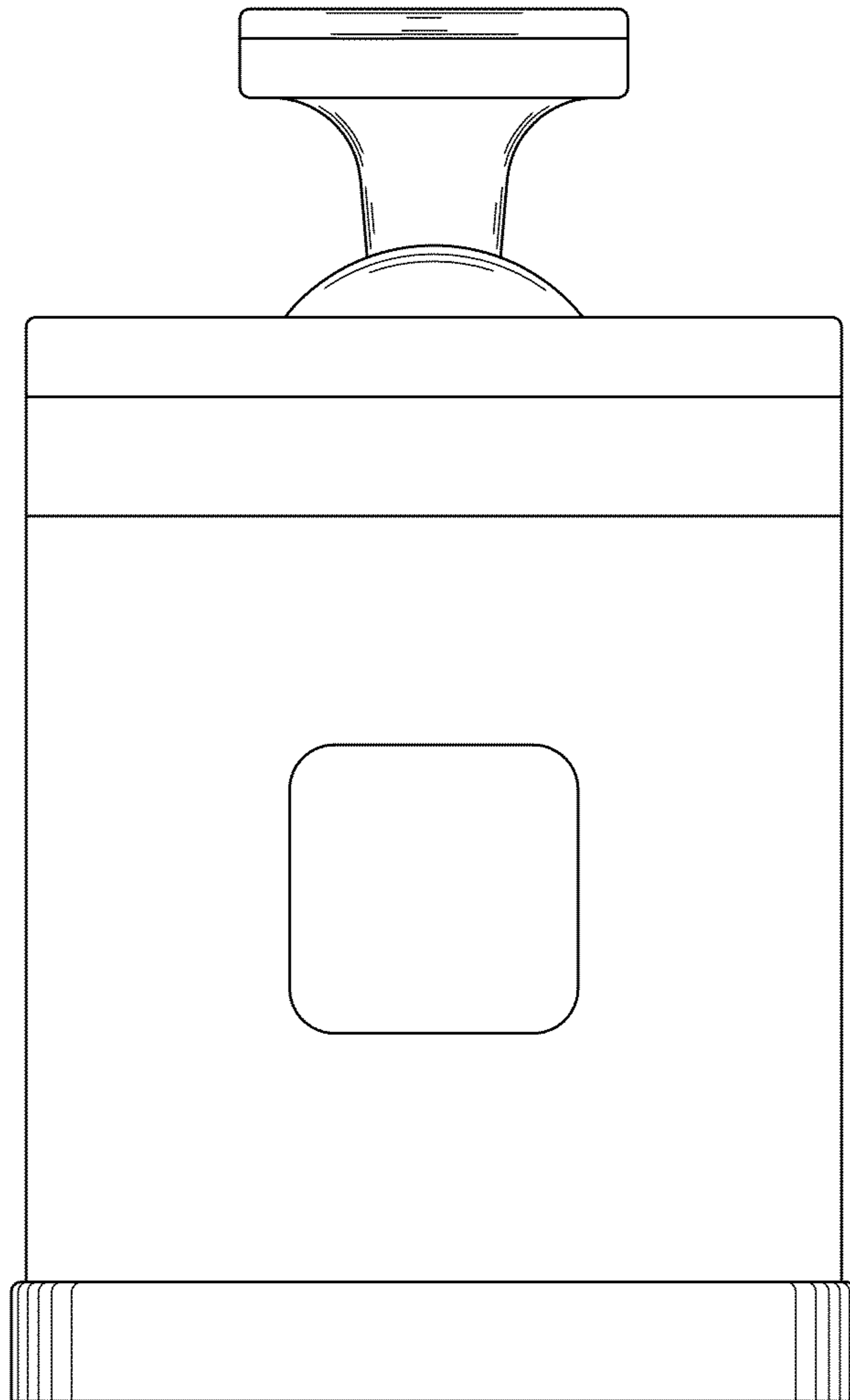


FIG.2

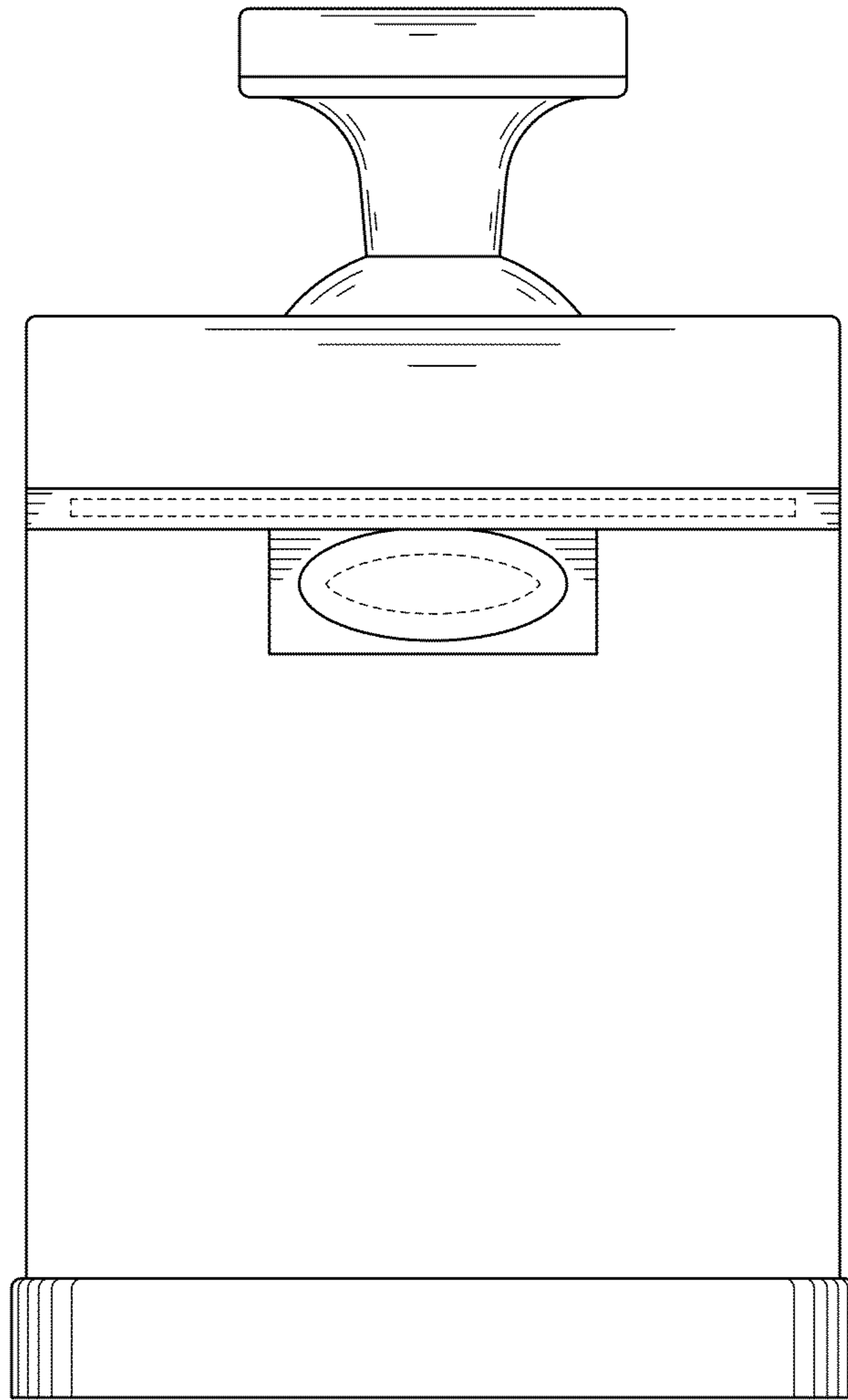


FIG.3

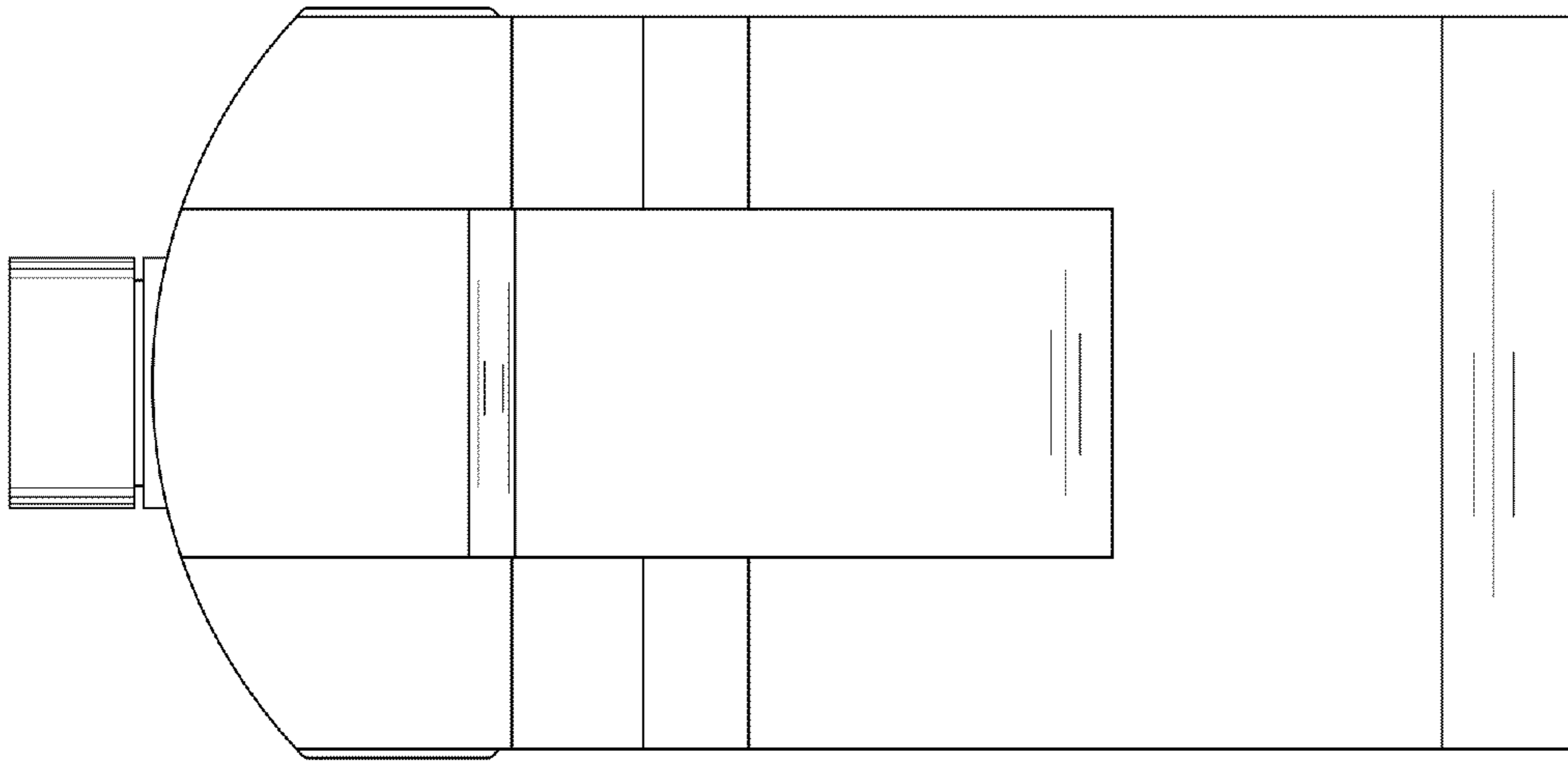


FIG.4

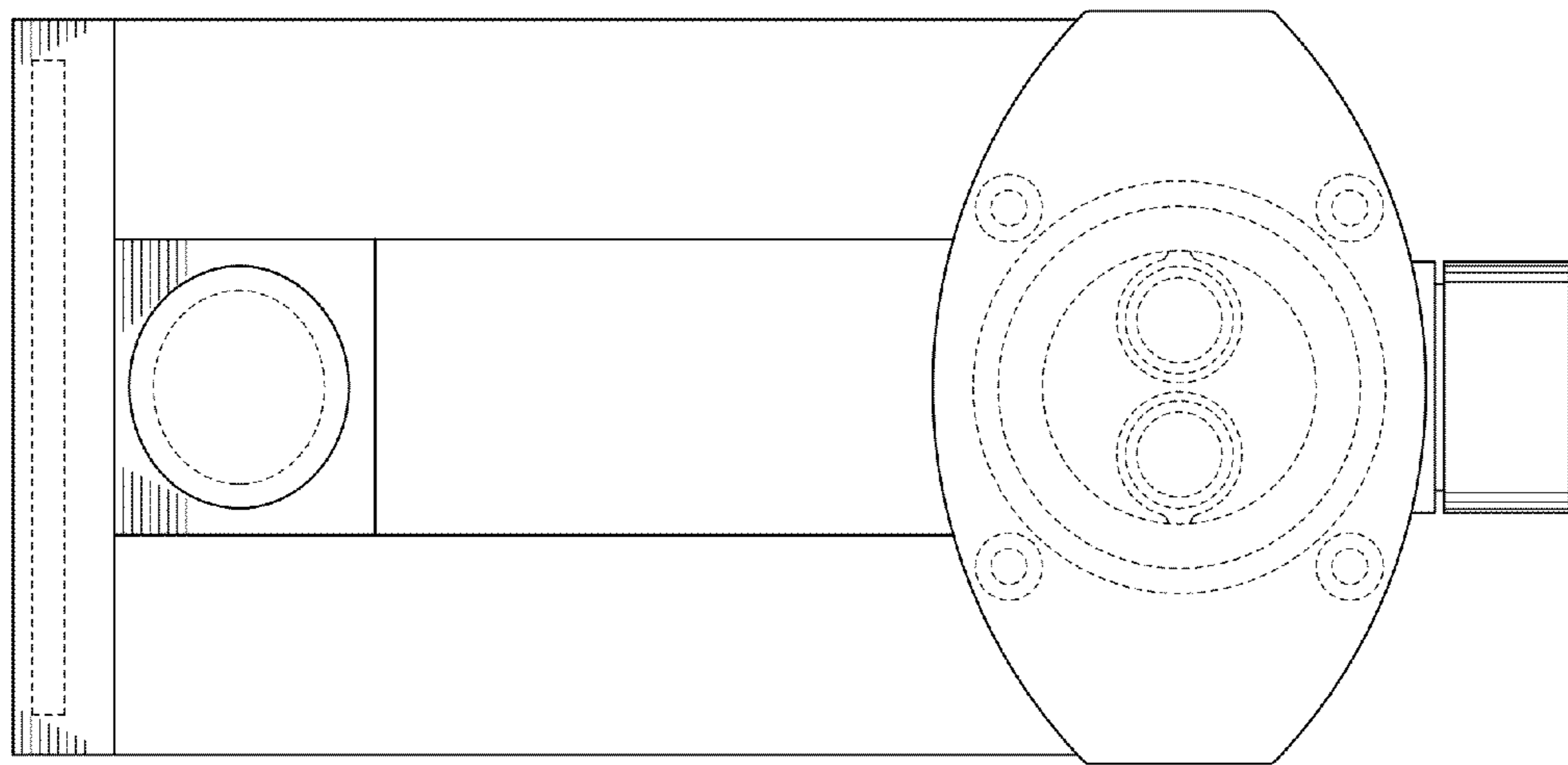


FIG.5